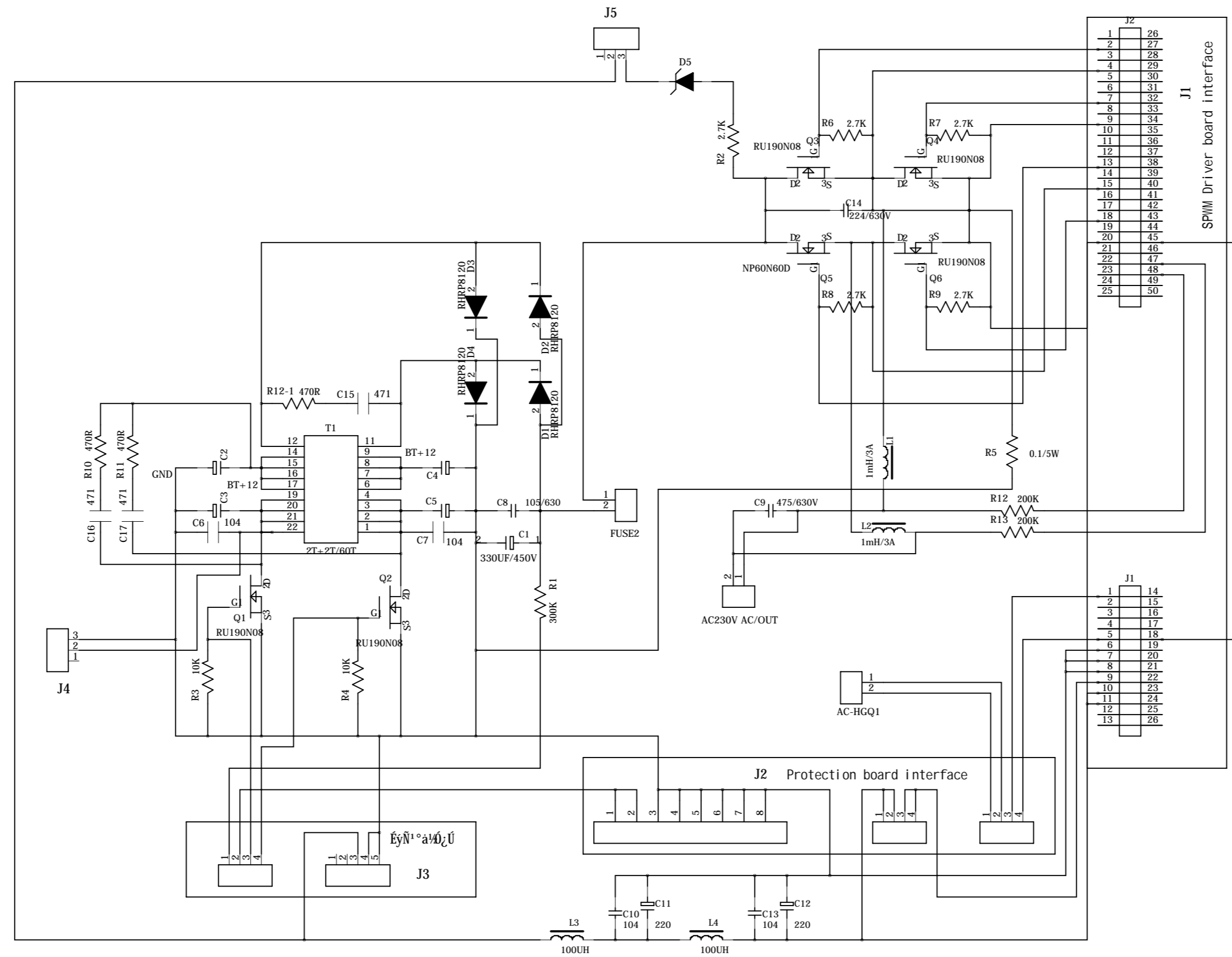


REVISION RECORD			
LTR	ECO NO:	APPROVED:	DATE:



COMPANY: <Company Name>

TITLE: <Title>

DRAWN: <Drawn By>	DATED: <Drawn Date>			
CHECKED: <Checked By>	DATED: <Checked Date>	CODE:	SIZE:	DRAWING NO:
QUALITY CONTROL: <QC By>	DATED: <QC Date>	A1<Drawing Number>Revision		
RELEASED: <Released By>	DATED: <Release Date>	SCALE: <Scale>	SHEET: 1 OF 1	