



EV CHARGER 直流充电桩芯片选型

用「芯」驱动智能世界

- 客户为先
- 品质为本
- 严谨
- 创新
- 高效
- 尊重



400 080 9938



sales@sillum.in.com



www.sillum.in.com



联系我们获取免费样品

直流充电桩 (EV Charger)

概述

电动汽车直流充电桩俗称“快充”，它输入端连接交流电网，输出端提供足够的功率，输出电压和电流调整范围大，可以适配不同品牌的电动汽车动力电池，实现充电要求。直流快充桩一般采用模块化堆叠设计，单模块功率范围从15kw至40kw，单桩输出功率可达350kW。

充电桩模块主要由前级PFC拓扑、后级DC-DC拓扑、控制单元及接口组成。模块的性能主要体现在高效率、高功率密度、宽输入/输出电压范围等方面。这对系统的设计与关键器件的性能提出严苛的要求。

数明半导体提供高性能栅极驱动芯片、数字隔离器及接口芯片、隔离采样芯片等，可满足直流充电桩系统的高效率、高可靠及安规等需求。



高效率



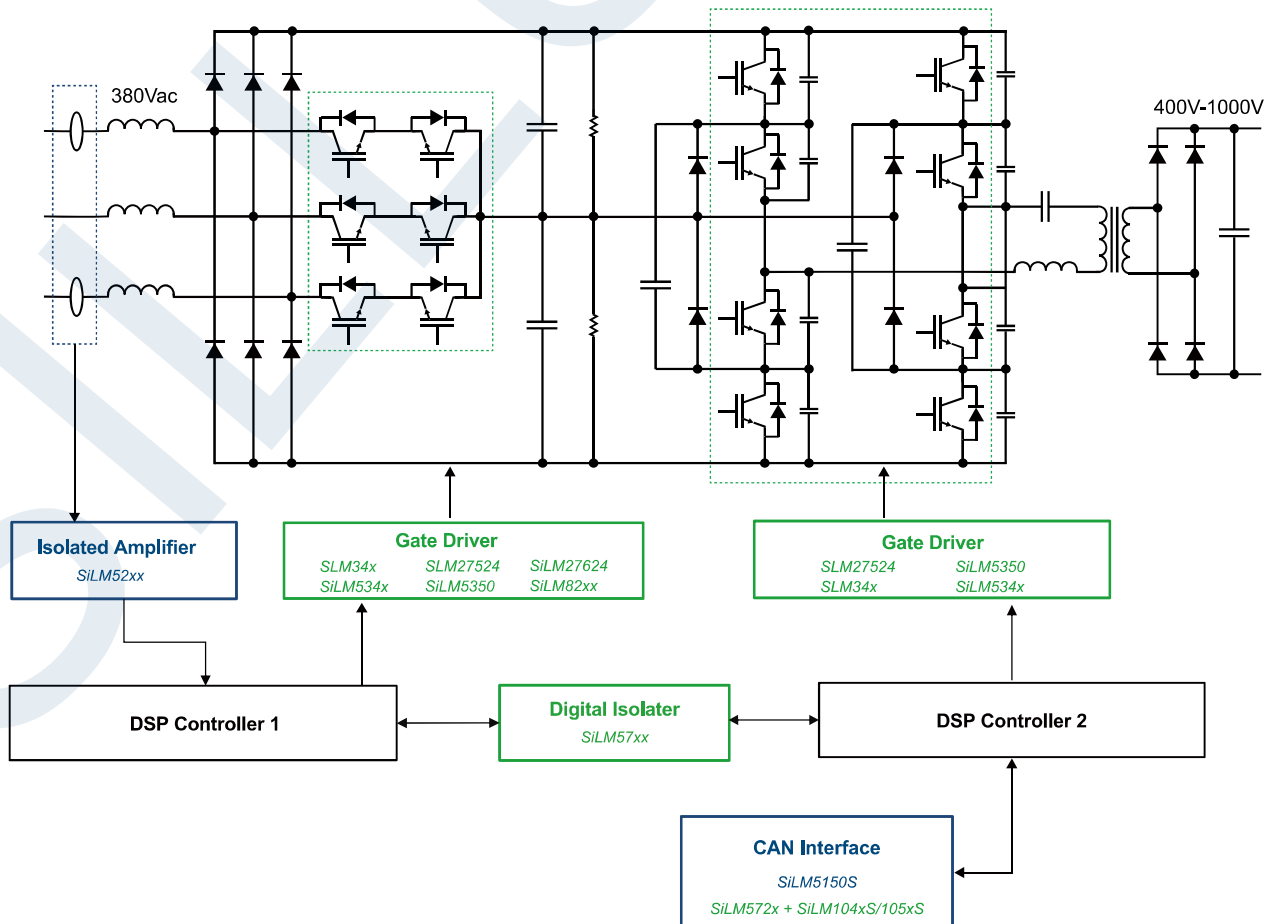
高可靠性



高安规要求

应用框图

■ 量产 ■ 开发



驱动

SLM34x

SiLM534x

SLM27524

SiLM27624

SiLM5350

SLMi823x

SiLM824x

信号与接口

SiLM52xx

SiLM57xx

SiLM5150

SiLM104xS

SiLM105xS

驱动芯片参数表

隔离驱动

不带保护功能的单通道隔离驱动

SILM5350 系列 | 单通道 30V, 10A 隔离驱动

| Part Number | Power Switch | Feature | IOH/IOL (A) | Output VCC/VDD(V) | Input VCC(V) | Prop. Delay (ns) | CMTI (kV/μs) Min. | V _{iso} (Vrms) | Operating Temp(°C) | Package Group | Packing/ QTY |
|------------------|---------------------|--------------|-------------|-------------------|--------------|------------------|-------------------|-------------------------|--------------------|---------------|--------------|
| SILM5350SDBCA-DG | IGBT/MOSFET/SiC/GaN | Split Output | 10.0/10.0 | 13 ~ 30 | 3 ~ 18 | 60 | 150 | 3000 | - 40 ~ 125 | SOP8 | Reel/ 2500 |
| SILM5350SBBCA-DG | IGBT/MOSFET/SiC/GaN | Split Output | 10.0/10.0 | 9 ~ 30 | 3 ~ 18 | 60 | 150 | 3000 | - 40 ~ 125 | SOP8 | Reel/ 2500 |
| SILM5350SABCA-DG | IGBT/MOSFET/SiC/GaN | Split Output | 10.0/10.0 | 6 ~ 30 | 3 ~ 18 | 60 | 150 | 3000 | - 40 ~ 125 | SOP8 | Reel/ 2500 |
| SILM5350SGBCA-DG | IGBT/MOSFET/SiC/GaN | Split Output | 10.0/10.0 | 4 ~ 30 | 3 ~ 18 | 60 | 150 | 3000 | - 40 ~ 125 | SOP8 | Reel/ 2500 |
| SILM5350RDBCA-DG | IGBT/MOSFET/SiC/GaN | Split Output | 10.0/10.0 | 13 ~ 30 | 3 ~ 18 | 60 | 150 | 3000 | - 40 ~ 125 | SOP8 | Reel/ 2500 |
| SILM5350RBBCA-DG | IGBT/MOSFET/SiC/GaN | Split Output | 10.0/10.0 | 9 ~ 30 | 3 ~ 18 | 60 | 150 | 3000 | - 40 ~ 125 | SOP8 | Reel/ 2500 |
| SILM5350RABCA-DG | IGBT/MOSFET/SiC/GaN | Split Output | 10.0/10.0 | 6 ~ 30 | 3 ~ 18 | 60 | 150 | 3000 | - 40 ~ 125 | SOP8 | Reel/ 2500 |
| SILM5350RGBCA-DG | IGBT/MOSFET/SiC/GaN | Split Output | 10.0/10.0 | 4 ~ 30 | 3 ~ 18 | 60 | 150 | 3000 | - 40 ~ 125 | SOP8 | Reel/ 2500 |
| SILM5350HDBCA-DG | IGBT/MOSFET/SiC/GaN | Split Output | 10.0/10.0 | 13 ~ 30 | 3 ~ 18 | 60 | 150 | 3000 | - 40 ~ 125 | SOP8 | Reel/ 2500 |
| SILM5350HBBCA-DG | IGBT/MOSFET/SiC/GaN | Split Output | 10.0/10.0 | 9 ~ 30 | 3 ~ 18 | 60 | 150 | 3000 | - 40 ~ 125 | SOP8 | Reel/ 2500 |
| SILM5350HABCA-DG | IGBT/MOSFET/SiC/GaN | Split Output | 10.0/10.0 | 6 ~ 30 | 3 ~ 18 | 60 | 150 | 3000 | - 40 ~ 125 | SOP8 | Reel/ 2500 |
| SILM5350HGBCA-DG | IGBT/MOSFET/SiC/GaN | Split Output | 10.0/10.0 | 4 ~ 30 | 3 ~ 18 | 60 | 150 | 3000 | - 40 ~ 125 | SOP8 | Reel/ 2500 |
| SILM5350MDBCA-DG | IGBT/MOSFET/SiC/GaN | Miller Clamp | 10.0/10.0 | 13 ~ 30 | 3 ~ 18 | 60 | 150 | 3000 | - 40 ~ 125 | SOP8 | Reel/ 2500 |
| SILM5350MBBCA-DG | IGBT/MOSFET/SiC/GaN | Miller Clamp | 10.0/10.0 | 9 ~ 30 | 3 ~ 18 | 60 | 150 | 3000 | - 40 ~ 125 | SOP8 | Reel/ 2500 |
| SILM5350MABCA-DG | IGBT/MOSFET/SiC/GaN | Miller Clamp | 10.0/10.0 | 6 ~ 30 | 3 ~ 18 | 60 | 150 | 3000 | - 40 ~ 125 | SOP8 | Reel/ 2500 |
| SILM5350MGBCA-DG | IGBT/MOSFET/SiC/GaN | Miller Clamp | 10.0/10.0 | 4 ~ 30 | 3 ~ 18 | 60 | 150 | 3000 | - 40 ~ 125 | SOP8 | Reel/ 2500 |
| SILM5350FDBCA-DG | IGBT/MOSFET/SiC/GaN | Miller Clamp | 10.0/10.0 | 13 ~ 30 | 3 ~ 18 | 60 | 150 | 3000 | - 40 ~ 125 | SOP8 | Reel/ 2500 |
| SILM5350FBBCA-DG | IGBT/MOSFET/SiC/GaN | Miller Clamp | 10.0/10.0 | 9 ~ 30 | 3 ~ 18 | 60 | 150 | 3000 | - 40 ~ 125 | SOP8 | Reel/ 2500 |
| SILM5350FABCA-DG | IGBT/MOSFET/SiC/GaN | Miller Clamp | 10.0/10.0 | 6 ~ 30 | 3 ~ 18 | 60 | 150 | 3000 | - 40 ~ 125 | SOP8 | Reel/ 2500 |
| SILM5350FGBCA-DG | IGBT/MOSFET/SiC/GaN | Miller Clamp | 10.0/10.0 | 4 ~ 30 | 3 ~ 18 | 60 | 150 | 3000 | - 40 ~ 125 | SOP8 | Reel/ 2500 |
| SILM5350PDBCA-DG | IGBT/MOSFET/SiC/GaN | Miller Clamp | 10.0/10.0 | 13 ~ 30 | 3 ~ 18 | 60 | 150 | 3000 | - 40 ~ 125 | SOP8 | Reel/ 2500 |
| SILM5350PBBCA-DG | IGBT/MOSFET/SiC/GaN | Miller Clamp | 10.0/10.0 | 9 ~ 30 | 3 ~ 18 | 60 | 150 | 3000 | - 40 ~ 125 | SOP8 | Reel/ 2500 |
| SILM5350PABCA-DG | IGBT/MOSFET/SiC/GaN | Miller Clamp | 10.0/10.0 | 6 ~ 30 | 3 ~ 18 | 60 | 150 | 3000 | - 40 ~ 125 | SOP8 | Reel/ 2500 |
| SILM5350PGBCA-DG | IGBT/MOSFET/SiC/GaN | Miller Clamp | 10.0/10.0 | 4 ~ 30 | 3 ~ 18 | 60 | 150 | 3000 | - 40 ~ 125 | SOP8 | Reel/ 2500 |
| SILM5350DDCM-DG | IGBT/MOSFET/SiC/GaN | Split Output | 10.0/10.0 | 13 ~ 30 | 3 ~ 18 | 60 | 150 | 5000 | - 40 ~ 125 | SOP8W | Reel/ 1000 |
| SILM5350SDDCM-DG | IGBT/MOSFET/SiC/GaN | Split Output | 10.0/10.0 | 9 ~ 30 | 3 ~ 18 | 60 | 150 | 5000 | - 40 ~ 125 | SOP8W | Reel/ 1000 |
| SILM5350SADCM-DG | IGBT/MOSFET/SiC/GaN | Split Output | 10.0/10.0 | 6 ~ 30 | 3 ~ 18 | 60 | 150 | 5000 | - 40 ~ 125 | SOP8W | Reel/ 1000 |
| SILM5350SDCM-DG | IGBT/MOSFET/SiC/GaN | Split Output | 10.0/10.0 | 4 ~ 30 | 3 ~ 18 | 60 | 150 | 5000 | - 40 ~ 125 | SOP8W | Reel/ 1000 |
| SILM5350RDDCM-DG | IGBT/MOSFET/SiC/GaN | Split Output | 10.0/10.0 | 13 ~ 30 | 3 ~ 18 | 60 | 150 | 5000 | - 40 ~ 125 | SOP8W | Reel/ 1000 |
| SILM5350RDDCM-DG | IGBT/MOSFET/SiC/GaN | Split Output | 10.0/10.0 | 9 ~ 30 | 3 ~ 18 | 60 | 150 | 5000 | - 40 ~ 125 | SOP8W | Reel/ 1000 |
| SILM5350RADCM-DG | IGBT/MOSFET/SiC/GaN | Split Output | 10.0/10.0 | 6 ~ 30 | 3 ~ 18 | 60 | 150 | 5000 | - 40 ~ 125 | SOP8W | Reel/ 1000 |
| SILM5350RDCM-DG | IGBT/MOSFET/SiC/GaN | Split Output | 10.0/10.0 | 4 ~ 30 | 3 ~ 18 | 60 | 150 | 5000 | - 40 ~ 125 | SOP8W | Reel/ 1000 |
| SILM5350HDDCM-DG | IGBT/MOSFET/SiC/GaN | Split Output | 10.0/10.0 | 13 ~ 30 | 3 ~ 18 | 60 | 150 | 5000 | - 40 ~ 125 | SOP8W | Reel/ 1000 |
| SILM5350HDDCM-DG | IGBT/MOSFET/SiC/GaN | Split Output | 10.0/10.0 | 9 ~ 30 | 3 ~ 18 | 60 | 150 | 5000 | - 40 ~ 125 | SOP8W | Reel/ 1000 |
| SILM5350HADCM-DG | IGBT/MOSFET/SiC/GaN | Split Output | 10.0/10.0 | 6 ~ 30 | 3 ~ 18 | 60 | 150 | 5000 | - 40 ~ 125 | SOP8W | Reel/ 1000 |
| SILM5350HDCM-DG | IGBT/MOSFET/SiC/GaN | Split Output | 10.0/10.0 | 4 ~ 30 | 3 ~ 18 | 60 | 150 | 5000 | - 40 ~ 125 | SOP8W | Reel/ 1000 |
| SILM5350MDDCM-DG | IGBT/MOSFET/SiC/GaN | Miller Clamp | 10.0/10.0 | 13 ~ 30 | 3 ~ 18 | 60 | 150 | 5000 | - 40 ~ 125 | SOP8W | Reel/ 1000 |
| SILM5350MBDCM-DG | IGBT/MOSFET/SiC/GaN | Miller Clamp | 10.0/10.0 | 9 ~ 30 | 3 ~ 18 | 60 | 150 | 5000 | - 40 ~ 125 | SOP8W | Reel/ 1000 |
| SILM5350MADCM-DG | IGBT/MOSFET/SiC/GaN | Miller Clamp | 10.0/10.0 | 6 ~ 30 | 3 ~ 18 | 60 | 150 | 5000 | - 40 ~ 125 | SOP8W | Reel/ 1000 |
| SILM5350MGDCM-DG | IGBT/MOSFET/SiC/GaN | Miller Clamp | 10.0/10.0 | 4 ~ 30 | 3 ~ 18 | 60 | 150 | 5000 | - 40 ~ 125 | SOP8W | Reel/ 1000 |
| SILM5350FDDCM-DG | IGBT/MOSFET/SiC/GaN | Miller Clamp | 10.0/10.0 | 13 ~ 30 | 3 ~ 18 | 60 | 150 | 5000 | - 40 ~ 125 | SOP8W | Reel/ 1000 |
| SILM5350FBDCM-DG | IGBT/MOSFET/SiC/GaN | Miller Clamp | 10.0/10.0 | 9 ~ 30 | 3 ~ 18 | 60 | 150 | 5000 | - 40 ~ 125 | SOP8W | Reel/ 1000 |
| SILM5350FADCM-DG | IGBT/MOSFET/SiC/GaN | Miller Clamp | 10.0/10.0 | 6 ~ 30 | 3 ~ 18 | 60 | 150 | 5000 | - 40 ~ 125 | SOP8W | Reel/ 1000 |
| SILM5350FGDCM-DG | IGBT/MOSFET/SiC/GaN | Miller Clamp | 10.0/10.0 | 4 ~ 30 | 3 ~ 18 | 60 | 150 | 5000 | - 40 ~ 125 | SOP8W | Reel/ 1000 |
| SILM5350PDDCM-DG | IGBT/MOSFET/SiC/GaN | Miller Clamp | 10.0/10.0 | 13 ~ 30 | 3 ~ 18 | 60 | 150 | 5000 | - 40 ~ 125 | SOP8W | Reel/ 1000 |
| SILM5350PBDCM-DG | IGBT/MOSFET/SiC/GaN | Miller Clamp | 10.0/10.0 | 9 ~ 30 | 3 ~ 18 | 60 | 150 | 5000 | - 40 ~ 125 | SOP8W | Reel/ 1000 |
| SILM5350PADCM-DG | IGBT/MOSFET/SiC/GaN | Miller Clamp | 10.0/10.0 | 6 ~ 30 | 3 ~ 18 | 60 | 150 | 5000 | - 40 ~ 125 | SOP8W | Reel/ 1000 |
| SILM5350PGDCM-DG | IGBT/MOSFET/SiC/GaN | Miller Clamp | 10.0/10.0 | 4 ~ 30 | 3 ~ 18 | 60 | 150 | 5000 | - 40 ~ 125 | SOP8W | Reel/ 1000 |

SLM34x 系列 | 兼容光耦的单通道 40V, 1A-4A 隔离驱动器

| Part Number | Power Switch | IOH/IOL (A) | Output VCC/VDD(V) | Prop. Delay (ns) | CMTI (kV/μs) Min. | V _{iso} (Vrms) | Operating Temp(°C) | Package Group | Packing/ QTY |
|-------------|--------------|-------------|-------------------|------------------|-------------------|-------------------------|--------------------|---------------|--------------|
| SLM340CK-DG | IGBT/MOSFETs | 1.0/1.0 | 14 ~ 40 | 90 | 150 | 5000 | - 40 ~ 125 | SOP6W | Reel/ 1000 |
| SLM341CK-DG | IGBT/MOSFETs | 3.0/3.0 | 14 ~ 40 | 90 | 150 | 5000 | - 40 ~ 125 | SOP6W | Reel/ 1000 |
| SLM343CK-DG | IGBT/MOSFETs | 4.0/4.0 | 14 ~ 40 | 90 | 150 | 5000 | - 40 ~ 125 | SOP6W | Reel/ 1000 |
| SLM345CK-DG | IGBT/MOSFETs | 1.0/1.0 | 10 ~ 40 | 90 | 150 | 5000 | - 40 ~ 125 | SOP6W | Reel/ 1000 |
| SLM346CK-DG | IGBT/MOSFETs | 3.0/3.0 | 10 ~ 40 | 90 | 150 | 5000 | - 40 ~ 125 | SOP6W | Reel/ 1000 |

* SILM5350: S-split / M-miller clamp/F/P)

驱动芯片参数表

隔离驱动

不带保护功能的单通道隔离驱动

SILM534x 系列 | 兼容光耦的单通道 40V, 1A-4A 隔离驱动器

| Part Number | Power Switch | IOH/IOL (A) | Output VCC/VDD(V) | Prop. Delay (ns) | CMTI (kV/μs) Min. | V _{ISO} (Vrms) | Operating Temp(°C) | Package Group | Packing/ QTY |
|----------------|--------------|-------------|-------------------|------------------|-------------------|-------------------------|--------------------|---------------|--------------|
| SILM5340TCR-DG | IGBT/MOSFETs | 1.0/1.0 | 14~40 | 90 | 150 | 5000 | -40~125 | SOP6W-T | Reel/1000 |
| SILM5341TCR-DG | IGBT/MOSFETs | 3.0/3.0 | 14~40 | 90 | 150 | 5000 | -40~125 | SOP6W-T | Reel/1000 |
| SILM5343TCR-DG | IGBT/MOSFETs | 4.0/4.0 | 14~40 | 90 | 150 | 5000 | -40~125 | SOP6W-T | Reel/1000 |
| SILM5345TCR-DG | IGBT/MOSFETs | 1.0/1.0 | 10~40 | 90 | 150 | 5000 | -40~125 | SOP6W-T | Reel/1000 |
| SILM5346TCR-DG | IGBT/MOSFETs | 3.0/3.0 | 10~40 | 90 | 150 | 5000 | -40~125 | SOP6W-T | Reel/1000 |

双通道隔离驱动

SLMI823x 系列 | 双通道死区可编程 40V, 1A/4A 隔离驱动

| Part Number | Power Switch | IOH/IOL (A) | Output VCC/VDD(V) | Input VCC(V) | Prop. Delay (ns) | Input Config | Program Deadtime | Overlap Protection | CMTI (kV/μs) Min. | V _{ISO} (Vrms) | Operating Temp(°C) | Package Group | Packing/ QTY |
|------------------|---------------------|-------------|-------------------|--------------|------------------|--------------|------------------|--------------------|-------------------|-------------------------|--------------------|---------------|--------------|
| SLMI8230BDCG-DG | IGBT/MOSFET/SiC/GaN | 1.0/1.5 | 9~40 | 3~18 | 40 | VA/MB | Y | Y | 100 | 5000 | -40~125 | SOP16W | Reel/1500 |
| SLMI8230DDCG-DG | IGBT/MOSFET/SiC/GaN | 1.0/1.5 | 13.5~40 | 3~18 | 40 | VA/MB | Y | Y | 100 | 5000 | -40~125 | SOP16W | Reel/1500 |
| SLMI8231BDCG-DG | IGBT/MOSFET/SiC/GaN | 1.0/1.5 | 9~40 | 3~18 | 40 | PWM | Y | Y | 100 | 5000 | -40~125 | SOP16W | Reel/1500 |
| SLMI8231DDCG-DG | IGBT/MOSFET/SiC/GaN | 1.0/1.5 | 13.5~40 | 3~18 | 40 | PWM | Y | Y | 100 | 5000 | -40~125 | SOP16W | Reel/1500 |
| SLMI8232BDCG-DG | IGBT/MOSFET/SiC/GaN | 1.0/1.5 | 9~40 | 3~18 | 40 | VA/MB | - | - | 100 | 5000 | -40~125 | SOP16W | Reel/1500 |
| SLMI8232DDCG-DG | IGBT/MOSFET/SiC/GaN | 1.0/1.5 | 13.5~40 | 3~18 | 40 | VA/MB | - | - | 100 | 5000 | -40~125 | SOP16W | Reel/1500 |
| SLMI8233BDCG-DG | IGBT/MOSFET/SiC/GaN | 4.0/7.0 | 9~40 | 3~18 | 40 | VA/MB | Y | Y | 100 | 5000 | -40~125 | SOP16W | Reel/1500 |
| SLMI8233DDCG-DG | IGBT/MOSFET/SiC/GaN | 4.0/7.0 | 13.5~40 | 3~18 | 40 | VA/MB | Y | Y | 100 | 5000 | -40~125 | SOP16W | Reel/1500 |
| SLMI8234BDCG-DG | IGBT/MOSFET/SiC/GaN | 4.0/7.0 | 9~40 | 3~18 | 40 | PWM | Y | Y | 100 | 5000 | -40~125 | SOP16W | Reel/1500 |
| SLMI8234DDCG-DG | IGBT/MOSFET/SiC/GaN | 4.0/7.0 | 13.5~40 | 3~18 | 40 | PWM | Y | Y | 100 | 5000 | -40~125 | SOP16W | Reel/1500 |
| SLMI8235BDCG-DG | IGBT/MOSFET/SiC/GaN | 4.0/7.0 | 9~40 | 3~18 | 40 | VA/MB | - | - | 100 | 5000 | -40~125 | SOP16W | Reel/1500 |
| SLMI8235DDCG-DG | IGBT/MOSFET/SiC/GaN | 4.0/7.0 | 13.5~40 | 3~18 | 40 | VA/MB | - | - | 100 | 5000 | -40~125 | SOP16W | Reel/1500 |
| SLMI8233HBDCP-DG | IGBT/MOSFET/SiC/GaN | 4.0/7.0 | 9~40 | 3~18 | 40 | VA/MB | Y | Y | 100 | 5000 | -40~125 | SOP14W | Reel/1500 |
| SLMI8233HDDCP-DG | IGBT/MOSFET/SiC/GaN | 4.0/7.0 | 13.5~40 | 3~18 | 40 | VA/MB | Y | Y | 100 | 5000 | -40~125 | SOP14W | Reel/1500 |
| SLMI8234HBDCP-DG | IGBT/MOSFET/SiC/GaN | 4.0/7.0 | 9~40 | 3~18 | 40 | PWM | Y | Y | 100 | 5000 | -40~125 | SOP14W | Reel/1500 |
| SLMI8234HDDCP-DG | IGBT/MOSFET/SiC/GaN | 4.0/7.0 | 13.5~40 | 3~18 | 40 | PWM | Y | Y | 100 | 5000 | -40~125 | SOP14W | Reel/1500 |
| SLMI8235HBDCP-DG | IGBT/MOSFET/SiC/GaN | 4.0/7.0 | 9~40 | 3~18 | 40 | VA/MB | - | - | 100 | 5000 | -40~125 | SOP14W | Reel/1500 |
| SLMI8235HDDCP-DG | IGBT/MOSFET/SiC/GaN | 4.0/7.0 | 13.5~40 | 3~18 | 40 | VA/MB | - | - | 100 | 5000 | -40~125 | SOP14W | Reel/1500 |
| SLMI8233HBDCG-DG | IGBT/MOSFET/SiC/GaN | 4.0/7.0 | 9~40 | 3~18 | 40 | VA/MB | Y | Y | 100 | 5000 | -40~125 | SOP16W | Reel/1500 |
| SLMI8233HDDCG-DG | IGBT/MOSFET/SiC/GaN | 4.0/7.0 | 13.5~40 | 3~18 | 40 | VA/MB | Y | Y | 100 | 5000 | -40~125 | SOP16W | Reel/1500 |
| SLMI8234HBDCG-DG | IGBT/MOSFET/SiC/GaN | 4.0/7.0 | 9~40 | 3~18 | 40 | PWM | Y | Y | 100 | 5000 | -40~125 | SOP16W | Reel/1500 |
| SLMI8234HDDCG-DG | IGBT/MOSFET/SiC/GaN | 4.0/7.0 | 13.5~40 | 3~18 | 40 | PWM | Y | Y | 100 | 5000 | -40~125 | SOP16W | Reel/1500 |
| SLMI8235HBDCG-DG | IGBT/MOSFET/SiC/GaN | 4.0/7.0 | 9~40 | 3~18 | 40 | VA/MB | - | - | 100 | 5000 | -40~125 | SOP16W | Reel/1500 |
| SLMI8235HDDCG-DG | IGBT/MOSFET/SiC/GaN | 4.0/7.0 | 13.5~40 | 3~18 | 40 | VA/MB | - | - | 100 | 5000 | -40~125 | SOP16W | Reel/1500 |

双通道隔离驱动

SILM824x 系列 | 双通道死区可编程 33V, 4A 隔离驱动

| Part Number | Power Switch | IOH/IOL (A) | Output VCC/VDD(V) | Input VCC(V) | Prop. Delay (ns) | Input Config | Program Deadtime | Overlap Protection | CMTI (kV/μs) Min. | V _{ISO} (Vrms) | Operating Temp(°C) | Package Group | Packing/ QTY |
|-----------------|---------------------|-------------|-------------------|--------------|------------------|--------------|------------------|--------------------|-------------------|-------------------------|--------------------|---------------|--------------|
| SILM8243BBCL-DG | IGBT/MOSFET/SiC/GaN | 4.0/7.0 | 9~30 | 3~18 | 40 | VA/MB | Y | Y | 150 | 3000 | -40~125 | SOP16 | Reel/3000 |
| SILM8243ABCL-DG | IGBT/MOSFET/SiC/GaN | 4.0/7.0 | 6~30 | 3~18 | 40 | VA/MB | Y | Y | 150 | 3000 | -40~125 | SOP16 | Reel/3000 |
| SILM8243GBCL-DG | IGBT/MOSFET/SiC/GaN | 4.0/7.0 | 4~30 | 3~18 | 40 | VA/MB | Y | Y | 150 | 3000 | -40~125 | SOP16 | Reel/3000 |
| SILM8243DBCL-DG | IGBT/MOSFET/SiC/GaN | 4.0/7.0 | 13.5~30 | 3~18 | 40 | VA/MB | Y | Y | 150 | 3000 | -40~125 | SOP16 | Reel/3000 |
| SILM8244BBCL-DG | IGBT/MOSFET/SiC/GaN | 4.0/7.0 | 9~30 | 3~18 | 40 | PWM | Y | Y | 150 | 3000 | -40~125 | SOP16 | Reel/3000 |
| SILM8244ABCL-DG | IGBT/MOSFET/SiC/GaN | 4.0/7.0 | 6~30 | 3~18 | 40 | PWM | Y | Y | 150 | 3000 | -40~125 | SOP16 | Reel/3000 |
| SILM8244GBCL-DG | IGBT/MOSFET/SiC/GaN | 4.0/7.0 | 4~30 | 3~18 | 40 | PWM | Y | Y | 150 | 3000 | -40~125 | SOP16 | Reel/3000 |
| SILM8244DBCL-DG | IGBT/MOSFET/SiC/GaN | 4.0/7.0 | 13.5~30 | 3~18 | 40 | PWM | Y | Y | 150 | 3000 | -40~125 | SOP16 | Reel/3000 |
| SILM8245BBCL-DG | IGBT/MOSFET/SiC/GaN | 4.0/7.0 | 9~30 | 3~18 | 40 | VA/MB | - | - | 150 | 3000 | -40~125 | SOP16 | Reel/3000 |
| SILM8245ABCL-DG | IGBT/MOSFET/SiC/GaN | 4.0/7.0 | 6~30 | 3~18 | 40 | VA/MB | - | - | 150 | 3000 | -40~125 | SOP16 | Reel/3000 |
| SILM8245GBCL-DG | IGBT/MOSFET/SiC/GaN | 4.0/7.0 | 4~30 | 3~18 | 40 | VA/MB | - | - | 150 | 3000 | -40~125 | SOP16 | Reel/3000 |
| SILM8245DBCL-DG | IGBT/MOSFET/SiC/GaN | 4.0/7.0 | 13.5~30 | 3~18 | 40 | VA/MB | - | - | 150 | 3000 | -40~125 | SOP16 | Reel/3000 |
| SILM8243BBCG-DG | IGBT/MOSFET/SiC/GaN | 4.0/7.0 | 9~30 | 3~18 | 40 | VA/MB | Y | Y | 150 | 5000 | -40~125 | SOP16W | Reel/1500 |
| SILM8243ABCG-DG | IGBT/MOSFET/SiC/GaN | 4.0/7.0 | 6~30 | 3~18 | 40 | VA/MB | Y | Y | 150 | 5000 | -40~125 | SOP16W | Reel/1500 |
| SILM8243GBCG-DG | IGBT/MOSFET/SiC/GaN | 4.0/7.0 | 4~30 | 3~18 | 40 | VA/MB | Y | Y | 150 | 5000 | -40~125 | SOP16W | Reel/1500 |
| SILM8243BBCG-DG | IGBT/MOSFET/SiC/GaN | 4.0/7.0 | 13.5~30 | 3~18 | 40 | VA/MB | Y | Y | 150 | 5000 | -40~125 | SOP16W | Reel/1500 |
| SILM8244BBCG-DG | IGBT/MOSFET/SiC/GaN | 4.0/7.0 | 9~30 | 3~18 | 40 | PWM | Y | Y | 150 | 5000 | -40~125 | SOP16W | Reel/1500 |
| SILM8244ABCG-DG | IGBT/MOSFET/SiC/GaN | 4.0/7.0 | 6~30 | 3~18 | 40 | PWM | Y | Y | 150 | 5000 | -40~125 | SOP16W | Reel/1500 |
| SILM8244GBCG-DG | IGBT/MOSFET/SiC/GaN | 4.0/7.0 | 4~30 | 3~18 | 40 | PWM | Y | Y | 150 | 5000 | -40~125 | SOP16W | Reel/1500 |
| SILM8244DBCG-DG | IGBT/MOSFET/SiC/GaN | 4.0/7.0 | 13.5~30 | 3~18 | 40 | PWM | Y | Y | 150 | 5000 | -40~125 | SOP16W | Reel/1500 |

驱动芯片参数表

隔离驱动

双通道隔离驱动

SiLM824x 系列 | 双通道死区可编程 33V, 4A 隔离驱动

| Part Number | Power Switch | IOH/IOL (A) | Output VCC/VDD(V) | Input VCC(V) | Prop. Delay (ns) | Input Config | Program Deadtime | Overlap Protection | CMTI (kV/μs) Min. | V _{iso} (Vrms) | Operating Temp(°C) | Package Group | Packing/ QTY |
|-----------------|---------------------|-------------|-------------------|--------------|------------------|--------------|------------------|--------------------|-------------------|-------------------------|--------------------|---------------|--------------|
| SiLM8245BBCG-DG | IGBT/MOSFET/SiC/GaN | 4.0/7.0 | 9~30 | 3~18 | 40 | MA/MB | - | - | 150 | 5000 | -40~125 | SOP16W | Reel/1500 |
| SiLM8245ABCG-DG | IGBT/MOSFET/SiC/GaN | 4.0/7.0 | 6~30 | 3~18 | 40 | MA/MB | - | - | 150 | 5000 | -40~125 | SOP16W | Reel/1500 |
| SiLM8245GBCG-DG | IGBT/MOSFET/SiC/GaN | 4.0/7.0 | 4~30 | 3~18 | 40 | MA/MB | - | - | 150 | 5000 | -40~125 | SOP16W | Reel/1500 |
| SiLM8245DBCG-DG | IGBT/MOSFET/SiC/GaN | 4.0/7.0 | 13.5~30 | 3~18 | 40 | MA/MB | - | - | 150 | 5000 | -40~125 | SOP16W | Reel/1500 |
| SiLM8243BBCP-DG | IGBT/MOSFET/SiC/GaN | 4.0/7.0 | 9~30 | 3~18 | 40 | MA/MB | Y | Y | 150 | 5000 | -40~125 | SOP14W | Reel/1500 |
| SiLM8243ABCP-DG | IGBT/MOSFET/SiC/GaN | 4.0/7.0 | 6~30 | 3~18 | 40 | MA/MB | Y | Y | 150 | 5000 | -40~125 | SOP14W | Reel/1500 |
| SiLM8243GBCP-DG | IGBT/MOSFET/SiC/GaN | 4.0/7.0 | 4~30 | 3~18 | 40 | MA/MB | Y | Y | 150 | 5000 | -40~125 | SOP14W | Reel/1500 |
| SiLM8243DBCP-DG | IGBT/MOSFET/SiC/GaN | 4.0/7.0 | 13.5~30 | 3~18 | 40 | MA/MB | Y | Y | 150 | 5000 | -40~125 | SOP14W | Reel/1500 |
| SiLM8244BBCP-DG | IGBT/MOSFET/SiC/GaN | 4.0/7.0 | 9~30 | 3~18 | 40 | PWM | Y | Y | 150 | 5000 | -40~125 | SOP14W | Reel/1500 |
| SiLM8244ABCP-DG | IGBT/MOSFET/SiC/GaN | 4.0/7.0 | 6~30 | 3~18 | 40 | PWM | Y | Y | 150 | 5000 | -40~125 | SOP14W | Reel/1500 |
| SiLM8244GBCP-DG | IGBT/MOSFET/SiC/GaN | 4.0/7.0 | 4~30 | 3~18 | 40 | PWM | Y | Y | 150 | 5000 | -40~125 | SOP14W | Reel/1500 |
| SiLM8244DBCP-DG | IGBT/MOSFET/SiC/GaN | 4.0/7.0 | 13.5~30 | 3~18 | 40 | PWM | Y | Y | 150 | 5000 | -40~125 | SOP14W | Reel/1500 |
| SiLM8245BBCP-DG | IGBT/MOSFET/SiC/GaN | 4.0/7.0 | 9~30 | 3~18 | 40 | MA/MB | - | - | 150 | 5000 | -40~125 | SOP14W | Reel/1500 |

驱动芯片参数表

非隔离驱动

低边驱动

SLM2752x 系列 | 双通道 20V, 4.5A/5.5A 高速低边门极驱动

| Part Number | Power Switch | IOH/IOL (A) | VCC (V) | Prop. Delay (ns) | Tr/Tf Typ(ns) | Operating Temp(°C) | Package Group | Packing/ QTY |
|---------------|--------------|-------------|---------|------------------|---------------|--------------------|---------------|--------------|
| SLM27523CA-DG | IGBT/MOSFET | 4.5/5.5 | 4.5~20 | 18/18 | 7/6 | -40~125 | SOP8 | Reel/2500 |
| SLM27524CA-DG | IGBT/MOSFET | 4.5/5.5 | 4.5~20 | 18/18 | 7/6 | -40~125 | SOP8 | Reel/2500 |
| SLM27525CA-DG | IGBT/MOSFET | 4.5/5.5 | 4.5~20 | 18/18 | 7/6 | -40~125 | SOP8 | Reel/2500 |
| SLM27523GB-DG | IGBT/MOSFET | 4.5/5.5 | 4.5~20 | 18/18 | 7/6 | -40~125 | MSOP8-EP | Reel/4000 |
| SLM27524GB-DG | IGBT/MOSFET | 4.5/5.5 | 4.5~20 | 18/18 | 7/6 | -40~125 | MSOP8-EP | Reel/4000 |
| SLM27525GB-DG | IGBT/MOSFET | 4.5/5.5 | 4.5~20 | 18/18 | 7/6 | -40~125 | MSOP8-EP | Reel/4000 |

SLM2762x 系列 | 双通道 30V, 5A/5A 高速低边门极驱动

| Part Number | Power Switch | IOH/IOL (A) | VCC (V) | Prop. Delay (ns) | Tr/Tf Typ(ns) | Operating Temp(°C) | Package Group | Packing/ QTY |
|-----------------|-----------------|-------------|---------|------------------|---------------|--------------------|---------------|--------------|
| SiLM27624LCA-DG | MOSFET/IGBT/GaN | 5.0/5.0 | 4.5~30 | 20/20 | 7/6 | -40~125 | SOP8 | Reel/2500 |
| SiLM27624MCA-DG | MOSFET/IGBT/GaN | 5.0/5.0 | 9.0~30 | 20/20 | 7/6 | -40~125 | SOP8 | Reel/2500 |
| SiLM27624HCA-DG | MOSFET/IGBT/GaN | 5.0/5.0 | 13.5~30 | 20/20 | 7/6 | -40~125 | SOP8 | Reel/2500 |
| SiLM27624LGB-DG | MOSFET/IGBT/GaN | 5.0/5.0 | 4.5~30 | 20/20 | 7/6 | -40~125 | MSOP8-EP | Reel/4000 |
| SiLM27624MGB-DG | MOSFET/IGBT/GaN | 5.0/5.0 | 9.0~30 | 20/20 | 7/6 | -40~125 | MSOP8-EP | Reel/4000 |
| SiLM27624HGB-DG | MOSFET/IGBT/GaN | 5.0/5.0 | 13.5~30 | 20/20 | 7/6 | -40~125 | MSOP8-EP | Reel/4000 |

信号与接口芯片参数表

隔离采样

隔离运放

SiLM52xx 系列 | 低输入电压加强型隔离放大器

| Part Number | Input VCC | Gain | VDD1 (V) | VDD2 (V) | CMTI Min (kV/μs) | V _{iso} (Vrms) | Operating Temp(°C) | Package Group | Packing/ QTY |
|---------------|-----------|------|----------|----------|------------------|-------------------------|--------------------|---------------|--------------|
| SiLM5202CM-DG | ±50mV | 41.0 | 3~5.5 | 3~5.5 | 100 | 5000 | -40~125 | SOP8W | Reel/1000 |
| SiLM5200CM-DG | ±250mV | 8.2 | 3~5.5 | 3~5.5 | 100 | 5000 | -40~125 | SOP8W | Reel/1000 |
| SiLM5211CM-DG | -0.1~2V | 1.0 | 3~5.5 | 3~5.5 | 100 | 5000 | -40~125 | SOP8W | Reel/1000 |

非隔离接口

隔离CAN

SiLM5150S | 具有 CAN FD 和故障保护功能的隔离 CAN 收发器

| Part Number | Output VCC/VDD (V) | Input VCC (V) | Bus Fault Voltage (V) | CMTI (kV/μs) | Package Group | Operating Temp(°C) | Packing/ QTY |
|----------------|--------------------|---------------|-----------------------|--------------|---------------|--------------------|--------------|
| SiLM5150SCM-DG | 2.25~5.5 | 4.5~5.5 | -65~65 | 100 | SOP8W | -45~125 | Reel/1000 |
| SiLM5150SDC-DG | 2.25~5.5 | 4.5~5.5 | -65~65 | 100 | SOP8 | -45~125 | Reel/800 |
| SiLM5150SCG-DG | 2.25~5.5 | 4.5~5.5 | -65~65 | 100 | SOP16W | -45~125 | Reel/1500 |

信号与接口芯片参数表

非隔离接口

CAN收发器

SiLM104xS/105xS系列 | 具有 CAN FD 和故障保护功能的 CAN 收发器

| Part Number | Supply Voltage (V) | Bus Fault Voltage (V) | With VIO Pin | Low Power Mode | TTL/CMOS | Data Rate (Mbps) Max | Package Group | Operating Temp(°C) | Packing/ QTY |
|----------------|--------------------|-----------------------|--------------|----------------|----------|----------------------|---------------|--------------------|--------------|
| SiLM1040SCA-DG | 4.5 ~ 5.5 | -65 ~ 65 | Y | Standby | CMOS | 8 | SOP8 | -55 ~ 150 | Reel/2500 |
| SiLM1042SCA-DG | 4.5 ~ 5.5 | -65 ~ 65 | - | Standby | TTL | 8 | SOP8 | -55 ~ 150 | Reel/3000 |
| SiLM1044SCA-DG | 4.5 ~ 5.5 | -65 ~ 65 | - | Standby | CMOS | 8 | SOP8 | -55 ~ 150 | Reel/2500 |
| SiLM1050SCA-DG | 4.5 ~ 5.5 | -65 ~ 65 | Y | Silent | CMOS | 8 | SOP8 | -55 ~ 150 | Reel/2500 |
| SiLM1051SCA-DG | 4.5 ~ 5.5 | -65 ~ 65 | - | Silent | TTL | 8 | SOP8 | -55 ~ 150 | Reel/2500 |
| SiLM1057SCA-DG | 4.5 ~ 5.5 | -65 ~ 65 | - | Silent | CMOS | 8 | SOP8 | -55 ~ 150 | Reel/2500 |
| SiLM1040SEN-DG | 4.5 ~ 5.5 | -65 ~ 65 | Y | Standby | CMOS | 8 | SOP8 | -55 ~ 150 | Reel/3000 |
| SiLM1042SEN-DG | 4.5 ~ 5.5 | -65 ~ 65 | - | Standby | TTL | 8 | SOP8 | -55 ~ 150 | Reel/2500 |
| SiLM1044SEN-DG | 4.5 ~ 5.5 | -65 ~ 65 | - | Standby | CMOS | 8 | SOP8 | -55 ~ 150 | Reel/3000 |
| SiLM1050SEN-DG | 4.5 ~ 5.5 | -65 ~ 65 | Y | Silent | CMOS | 8 | SOP8 | -55 ~ 150 | Reel/3000 |
| SiLM1051SEN-DG | 4.5 ~ 5.5 | -65 ~ 65 | - | Silent | TTL | 8 | SOP8 | -55 ~ 150 | Reel/3000 |
| SiLM1057SEN-DG | 4.5 ~ 5.5 | -65 ~ 65 | - | Silent | CMOS | 8 | SOP8 | -55 ~ 150 | Reel/3000 |

数字隔离器

双通道数字隔离器

SiLM572x 系列 | 高速双通道数字隔离器

| Part Number | Forward/Reverse Channels | Data Rate (Max)(Mbps) | VCCx (V) | Prop. Delay (ns) | Current/Channel Typ.(mA) | Default Output | CMTI (kV/μs)Min. | Operating Temp(°C) | V _{iso} (Vrms) | Package Group | Packing/ QTY |
|----------------|--------------------------|-----------------------|------------|------------------|--------------------------|----------------|------------------|--------------------|-------------------------|---------------|--------------|
| SiLM5720CA-DG | 2 forward/0 reverse | 100 | 2.25 ~ 5.5 | 12 | 1.5 | High | 150 | -40 ~ 125 | 3000 | SOP8 | Reel/2500 |
| SiLM5720FCA-DG | 2 forward/0 reverse | 100 | 2.25 ~ 5.5 | 12 | 1.5 | Low | 150 | -40 ~ 125 | 3000 | SOP8 | Reel/2500 |
| SiLM5721CA-DG | 1 forward/1 reverse | 100 | 2.25 ~ 5.5 | 12 | 1.5 | High | 150 | -40 ~ 125 | 3000 | SOP8 | Reel/2500 |
| SiLM5721FCA-DG | 1 forward/1 reverse | 100 | 2.25 ~ 5.5 | 12 | 1.5 | Low | 150 | -40 ~ 125 | 3000 | SOP8 | Reel/2500 |
| SiLM5722CA-DG | 1 forward/1 reverse | 100 | 2.25 ~ 5.5 | 12 | 1.5 | High | 150 | -40 ~ 125 | 3000 | SOP8 | Reel/2500 |
| SiLM5722FCA-DG | 1 forward/1 reverse | 100 | 2.25 ~ 5.5 | 12 | 1.5 | Low | 150 | -40 ~ 125 | 3000 | SOP8 | Reel/2500 |
| SiLM5720CM-DG | 2 forward/0 reverse | 100 | 2.25 ~ 5.5 | 12 | 1.5 | High | 150 | -40 ~ 125 | 5000 | SOP8W | Reel/1000 |
| SiLM5720FCM-DG | 2 forward/0 reverse | 100 | 2.25 ~ 5.5 | 12 | 1.5 | Low | 150 | -40 ~ 125 | 5000 | SOP8W | Reel/1000 |
| SiLM5721CM-DG | 1 forward/1 reverse | 100 | 2.25 ~ 5.5 | 12 | 1.5 | High | 150 | -40 ~ 125 | 5000 | SOP8W | Reel/1000 |
| SiLM5721FCM-DG | 1 forward/1 reverse | 100 | 2.25 ~ 5.5 | 12 | 1.5 | Low | 150 | -40 ~ 125 | 5000 | SOP8W | Reel/1000 |
| SiLM5722CM-DG | 1 forward/1 reverse | 100 | 2.25 ~ 5.5 | 12 | 1.5 | High | 150 | -40 ~ 125 | 5000 | SOP8W | Reel/1000 |
| SiLM5722FCM-DG | 1 forward/1 reverse | 100 | 2.25 ~ 5.5 | 12 | 1.5 | Low | 150 | -40 ~ 125 | 5000 | SOP8W | Reel/1000 |

四通道数字隔离器

SiLM574x 系列 | 高速四通道数字隔离器

| Part Number | Forward/Reverse Channels | Data Rate (Max)(Mbps) | VCCx (V) | Prop. Delay (ns) | Current/Channel Typ.(mA) | Default Output | CMTI (kV/μs)Min. | Operating Temp(°C) | V _{iso} (Vrms) | Package Group | Packing/ QTY |
|----------------|--------------------------|-----------------------|------------|------------------|--------------------------|----------------|------------------|--------------------|-------------------------|---------------|--------------|
| SiLM5740CG-DG | 4 forward/0 reverse | 100 | 2.25 ~ 5.5 | 12 | 1.5 | High | 100 | -40 ~ 125 | 5000 | SOP16W | Reel/1500 |
| SiLM5740FCG-DG | 4 forward/0 reverse | 100 | 2.25 ~ 5.5 | 12 | 1.5 | Low | 100 | -40 ~ 125 | 5000 | SOP16W | Reel/1500 |
| SiLM5741CG-DG | 3 forward/1 reverse | 100 | 2.25 ~ 5.5 | 12 | 1.5 | High | 100 | -40 ~ 125 | 5000 | SOP16W | Reel/1500 |
| SiLM5741FCG-DG | 3 forward/1 reverse | 100 | 2.25 ~ 5.5 | 12 | 1.5 | Low | 100 | -40 ~ 125 | 5000 | SOP16W | Reel/1500 |
| SiLM5742CG-DG | 2 forward/2 reverse | 100 | 2.25 ~ 5.5 | 12 | 1.5 | High | 100 | -40 ~ 125 | 5000 | SOP16W | Reel/1500 |
| SiLM5742FCG-DG | 2 forward/2 reverse | 100 | 2.25 ~ 5.5 | 12 | 1.5 | Low | 100 | -40 ~ 125 | 5000 | SOP16W | Reel/1500 |



扫码关注官方公众号

上海数明半导体有限公司

400 080 9938

联系我们 | 获取免费样片

www.sillumin.com