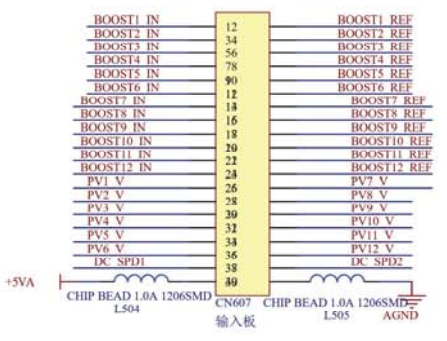
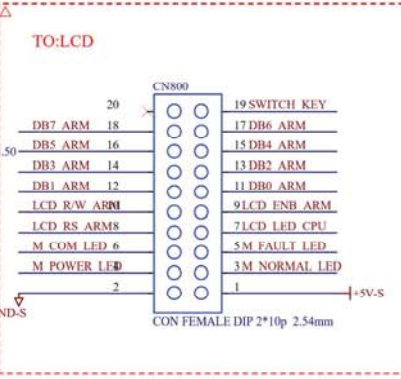
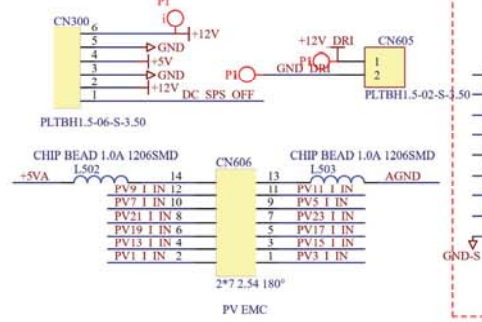
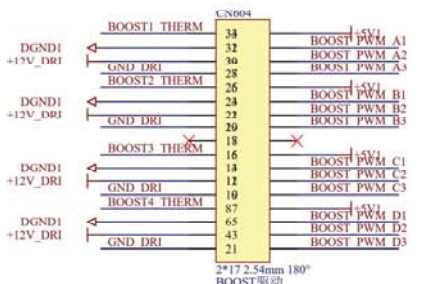
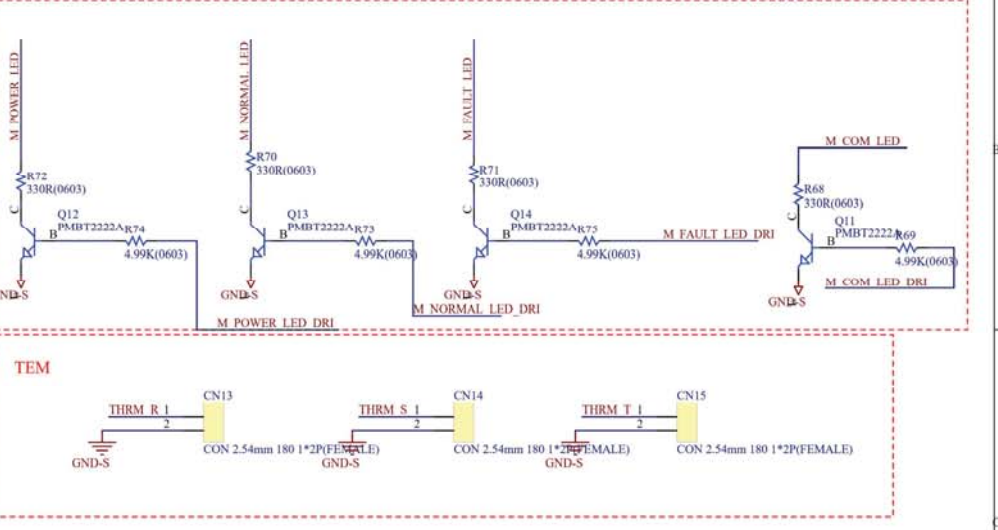
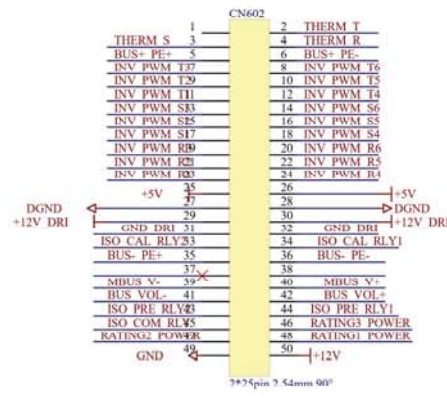
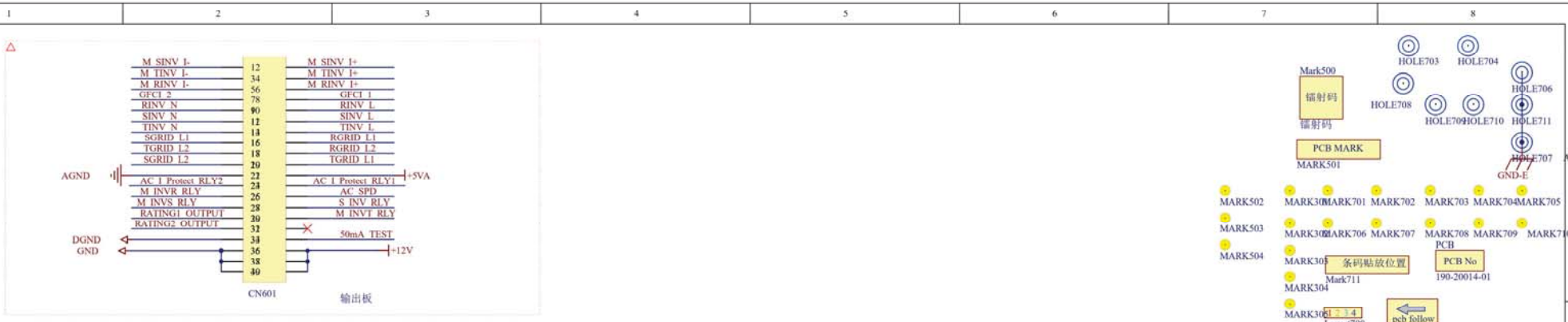


GOODWE
 致力环境 保护环境
 Committed to environmental protection
GOODWE POWER SUPPLY TECHNOLOGY CO.,LTD.

Description: PCB CNTL HT 2.0mm 145*402 FR-4 4S 1oz 1*
PCB P/N: 190-20014-01
DOC NO: 12
Drawing REV: 01
Date: 2020.10.14

Drawn	Design	Checked	Approved	SHEET
Monica.Mo	Zhengwen.Zhang	Zhengwen.Zhang	David.Xu	12 OF 17



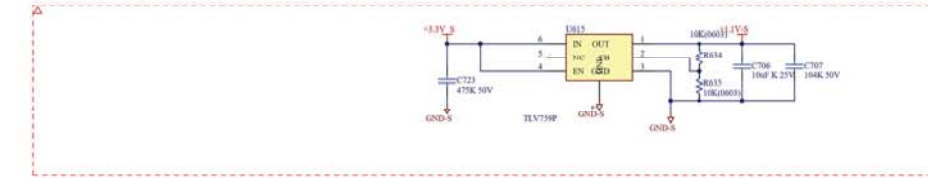
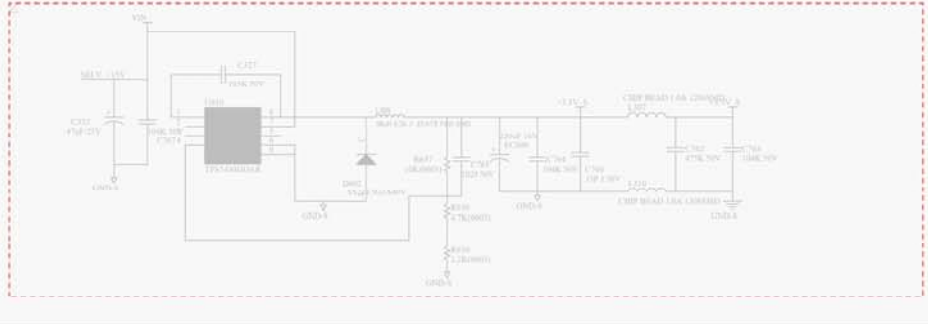
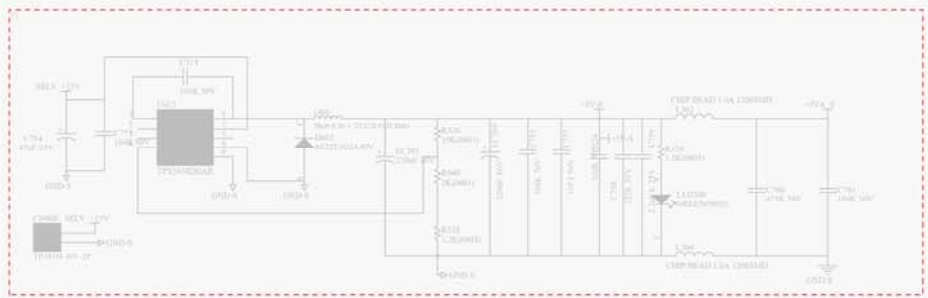
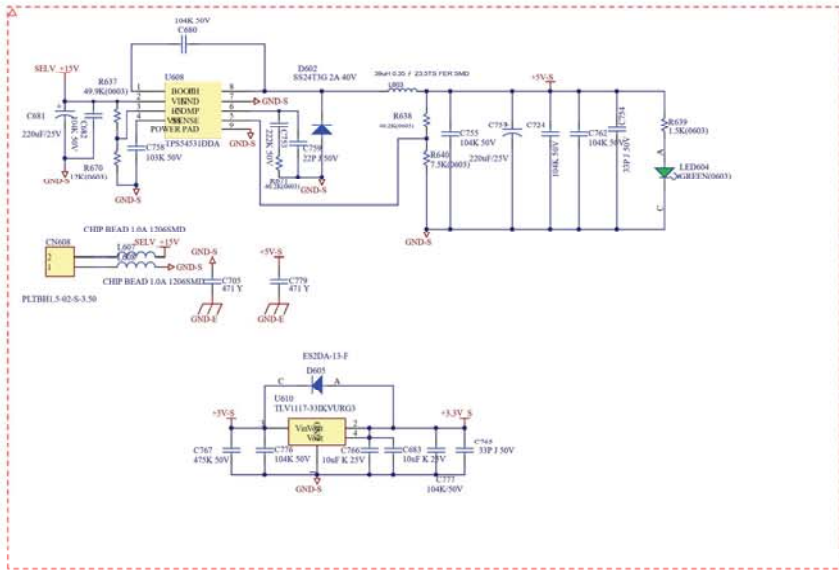
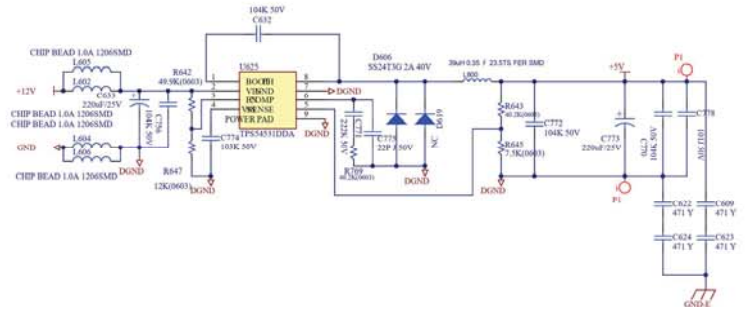
GOODWE
 致力节能环保事业
 Committed to environmental protection
GOODWE POWER SUPPLY TECHNOLOGY CO.,LTD.

Description: PCB CNTL HT 2.0mm 145*402 FR-4 4S 1oz 1*1
 PCB P/N: 190-20014-01
 DOC NO: 8
 Drawing REV: 01
 Date: 2020.10.14

Drawn: Monica.Mo
 Design: Zhengwen.Zhang

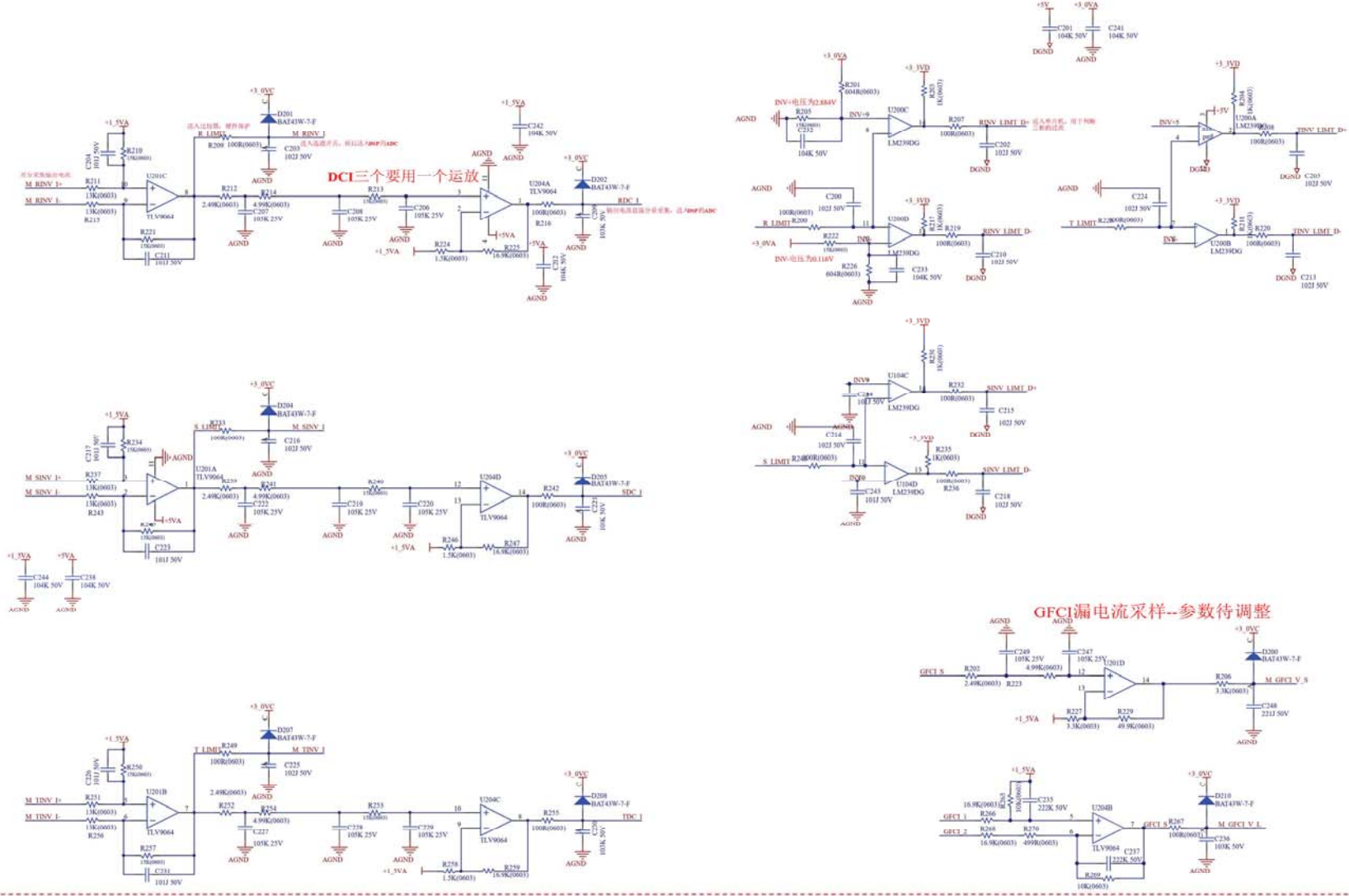
Checked: Zhengwen.Zhang

Approved: David.Xu
 SHEET: 8 OF 17



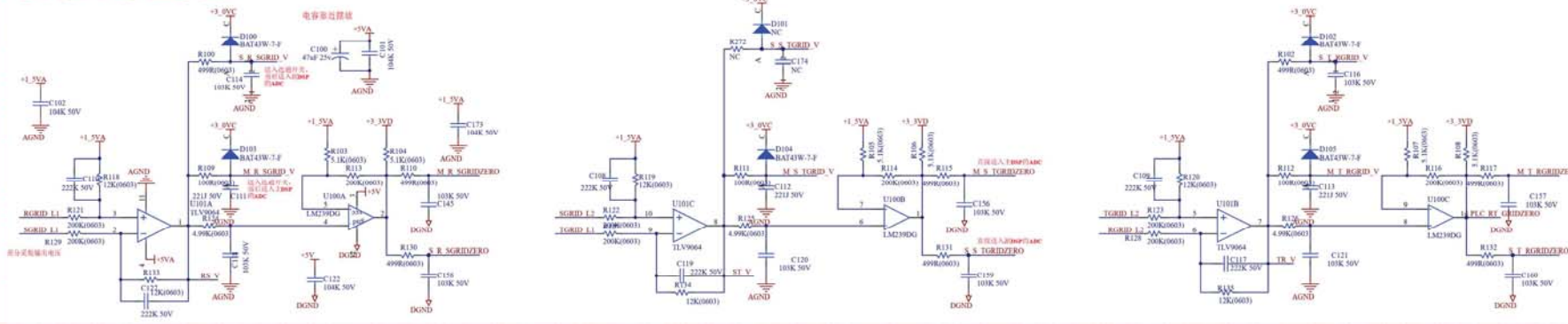
		Description: PCB CNTL.HI 2.0mm 145*82 FR-4 45 1st 1*1		Draws	Design	Checked	Approved	SHEET
热力学环境技术 Committed to environmental protection		PCB P/N: 190-20014-01	Drawing REV: 01	Monica.Mo	Zhangwen.Zhang	Zhangwen.Zhang	Devin.Xu	9 OF 17
JIANGSU GOODWE POWER SUPPLY TECHNOLOGY CO.,LTD.		DOC NO: 9	Date: 2020.10.14					

逆变电流&逆变电流OCP

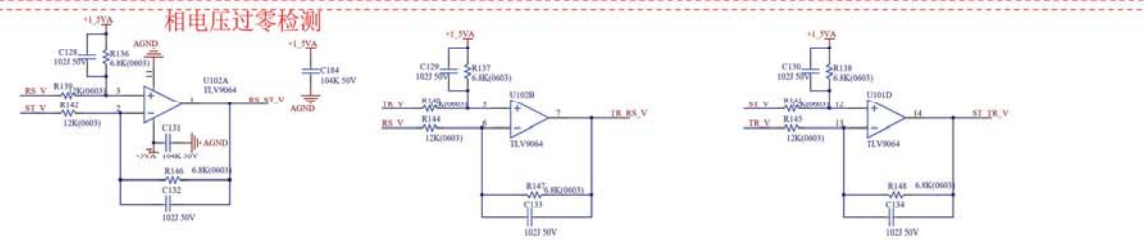


		Description: PCB CNL HT 2.5mm 145*402 FR-4 45 (ur 17)		Draws	Design	Checked	Approved	SHEET
江苏东环能源科技有限公司 Committed to environmental protection		PCB P/N: 199-20114-01	Drawing REV: 01	Monica.Mo	Zhongwen.Zhang	Zhongwen.Zhang	David.Xu	3 OF 17
JIANGSU GOODWE POWER SUPPLY TECHNOLOGY CO.,LTD.		DOC NO: 7	Date: 2020.10.14					

电网电压 & 电网过零检测

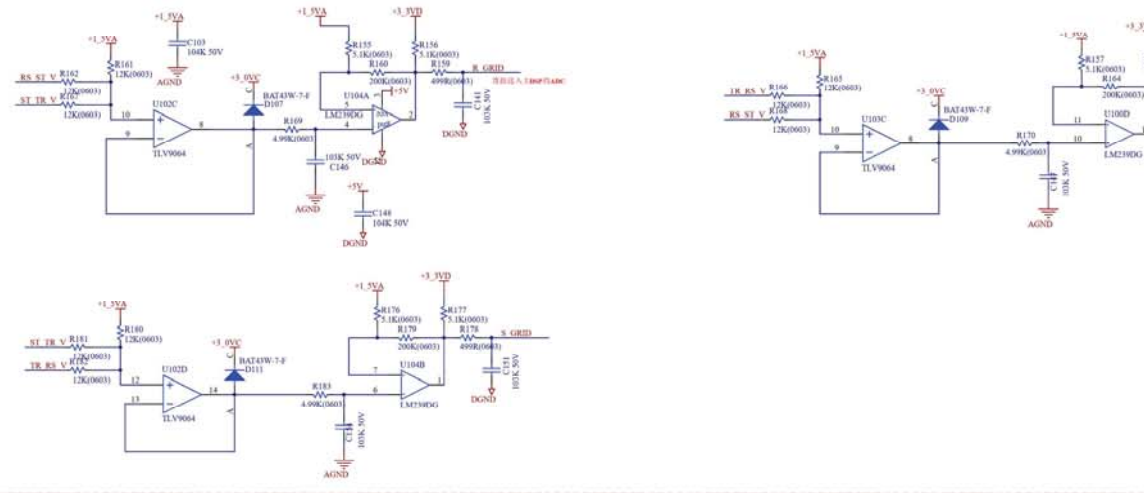
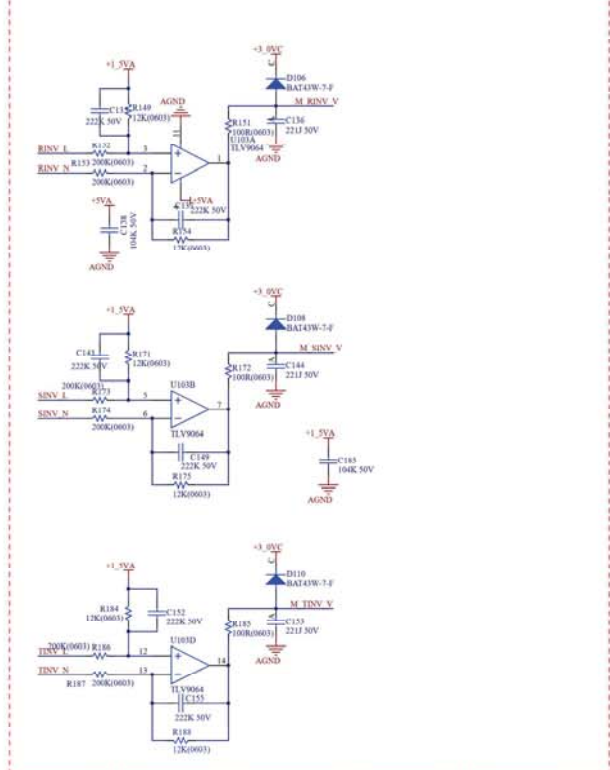


相电压过零检测

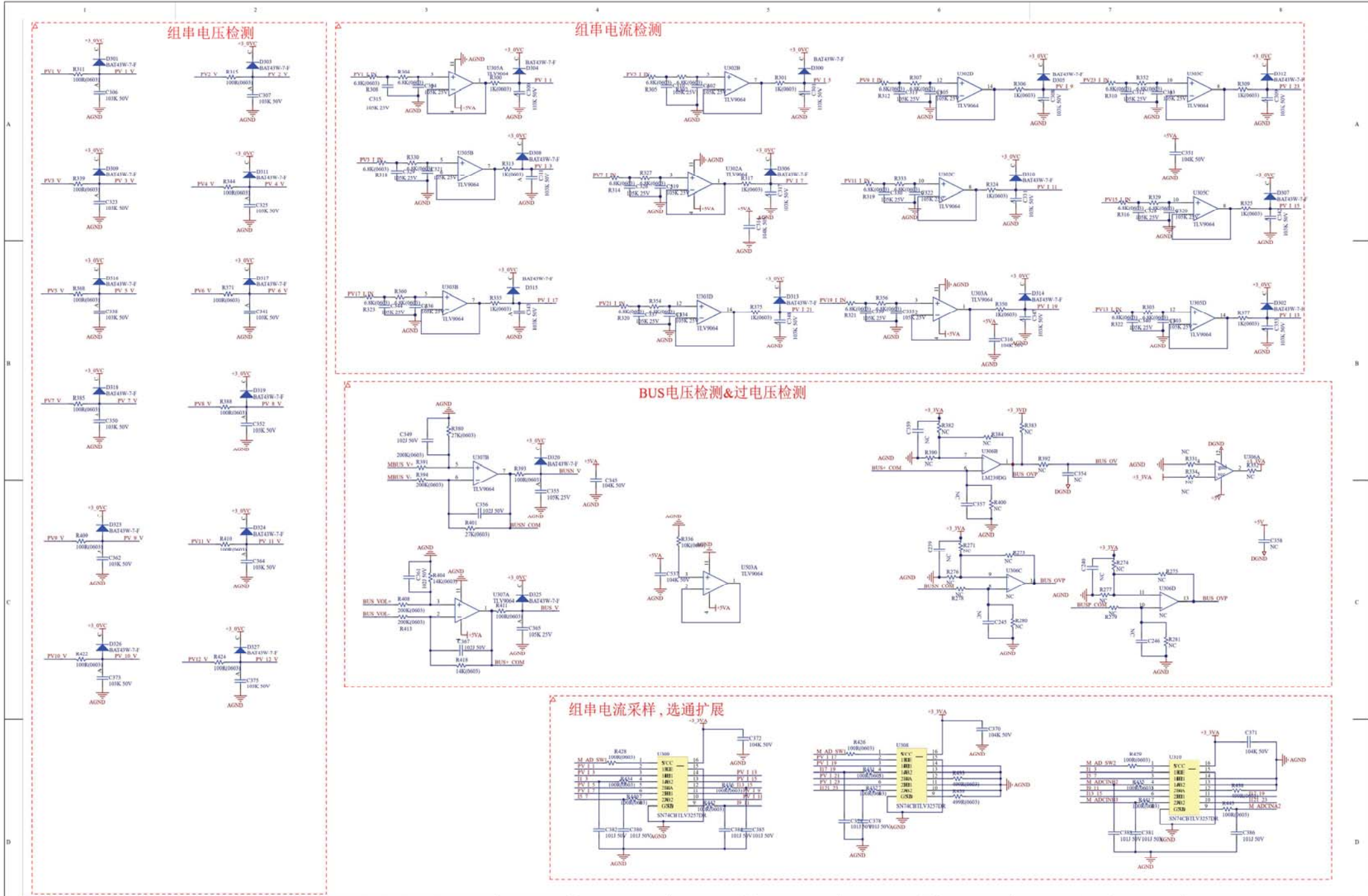


线电压为1.5V基准，幅值0-3V。经过二级运放，1.5V基准，幅值0-3V。加法器将二级运放输出电压除以3，加上1.5V上拉，基准为1.5V，幅值为1-2V。

逆变电压检测

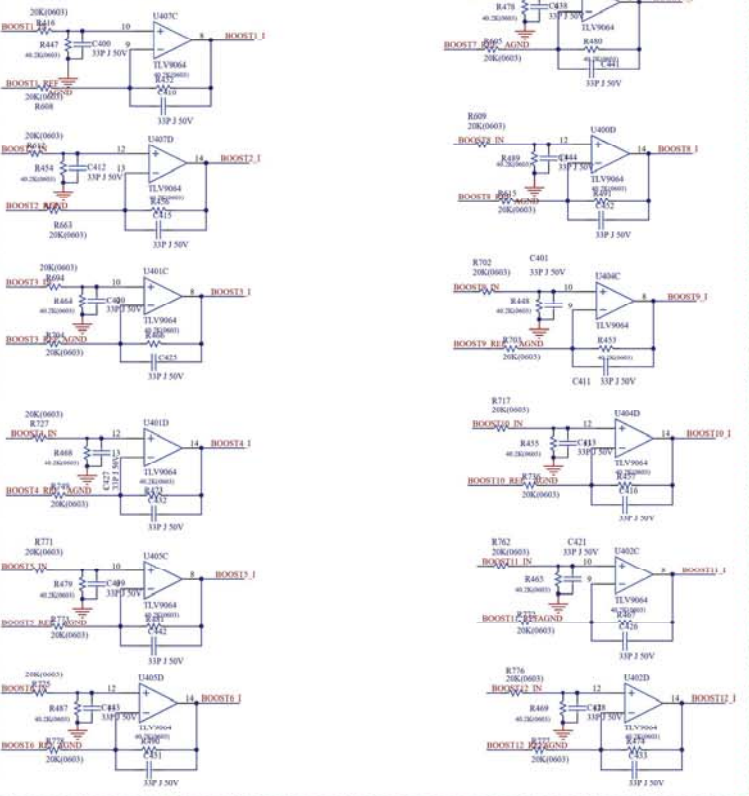


		Description: PCB CNL HT 2.0mm 145*402 FR-4 45 (ur 1*)	Draws	Design	Checked	Approved	SHEET
Committed to environmental protection		PCB P/N: 199-2014-01	Monica Mo	Zhongqun Zhang	Zhongqun Zhang	Devid Xu	1 OF 17
JIANGSU GOODWE POWER SUPPLY TECHNOLOGY CO.,LTD.		DOC NO: 1	Date: 2020.10.14				

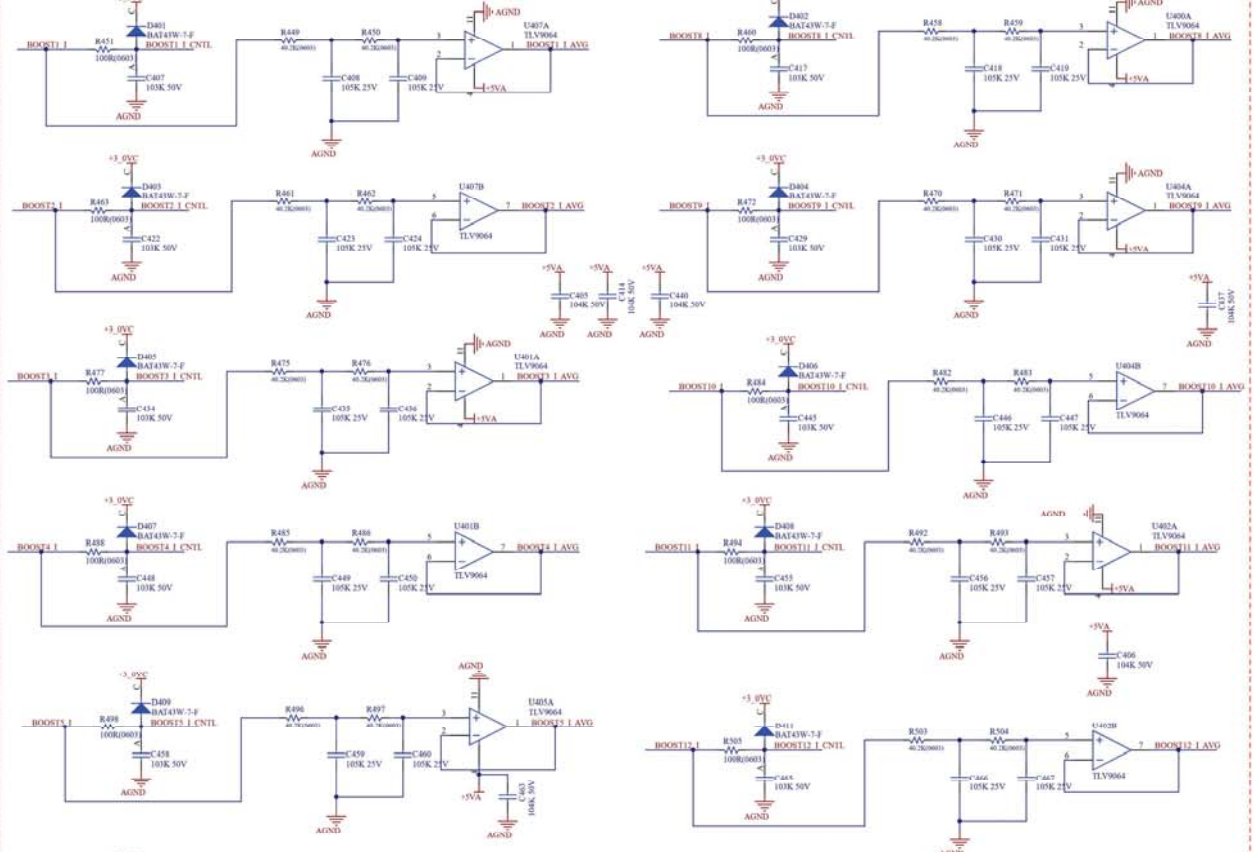


		Description: PCB CNL HT 2.0mm 145*402 FR-4 45 100 171		Draws	Design	Checked	Approved	SHEET
热动力环境能源装备 Committed to environmental protection		PCB P/N:	199-20014-01	Drawing REV:	01			
JIANGSU GOODWE POWER SUPPLY TECHNOLOGY CO.,LTD.		DOC NO:	3	Date:	2020.10.14		Devid.Xu	3 OF 17

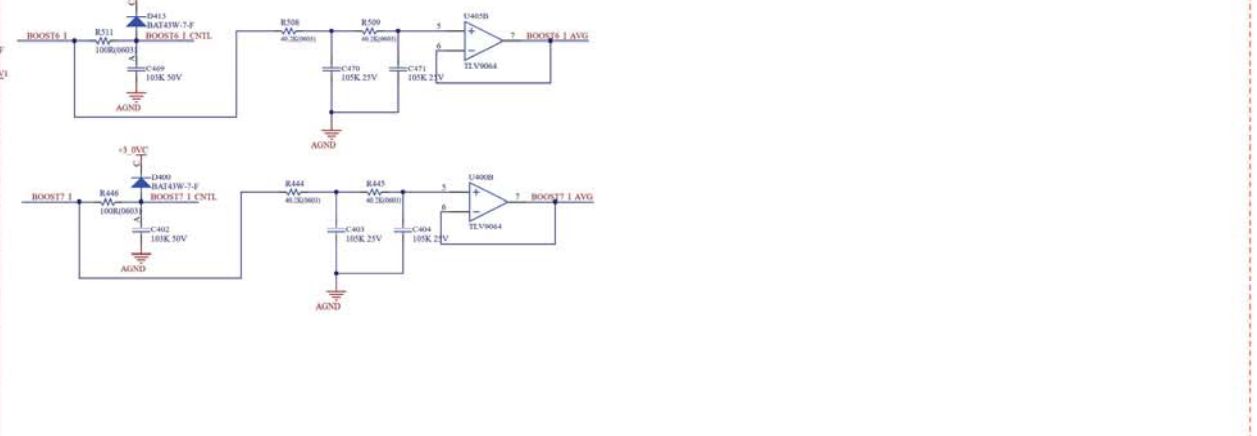
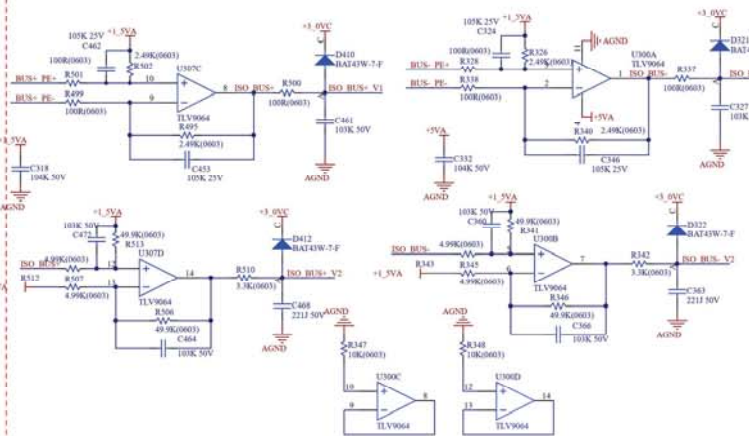
BOOST电流采样

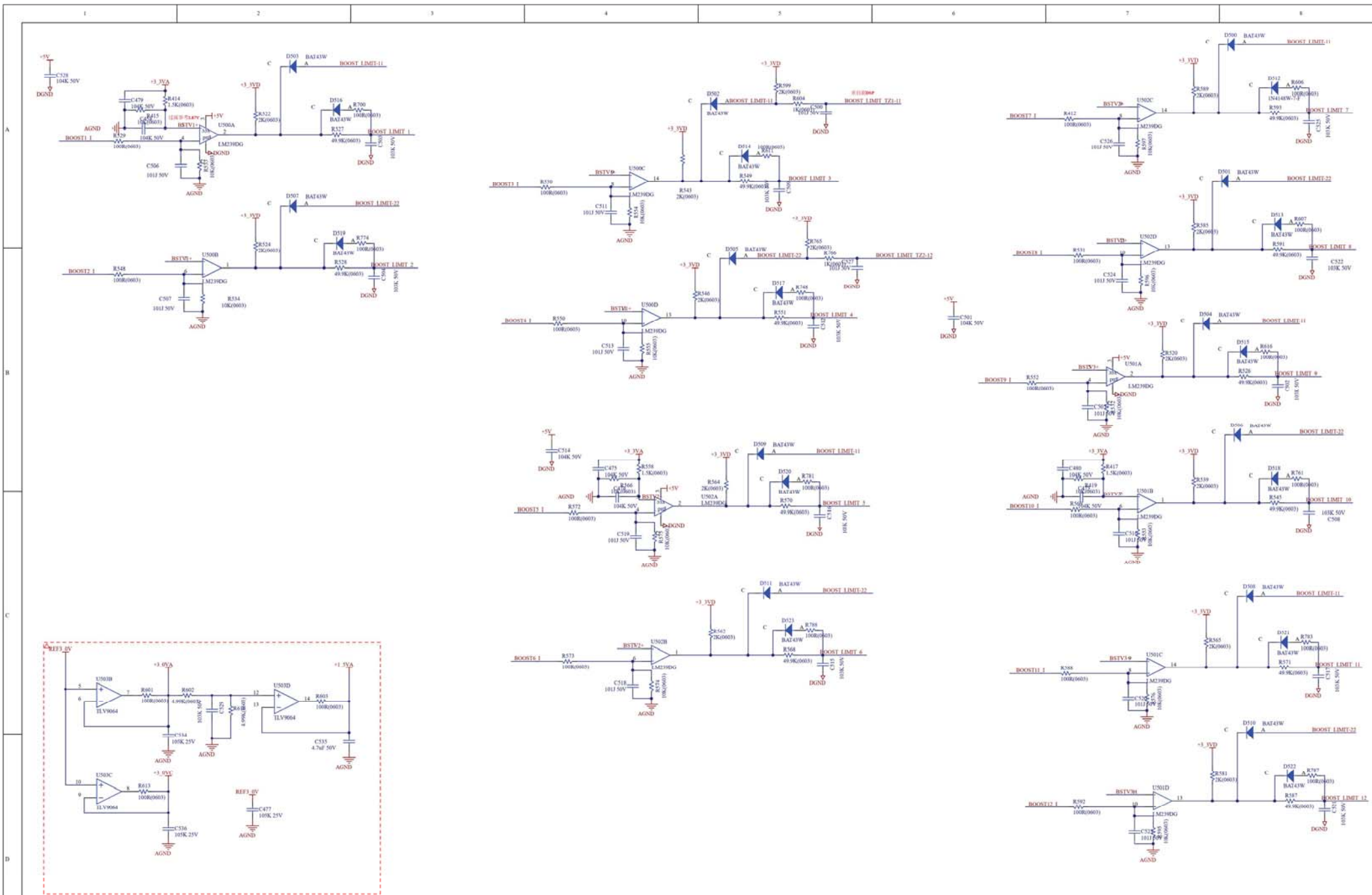


BOOST电流控制&显示



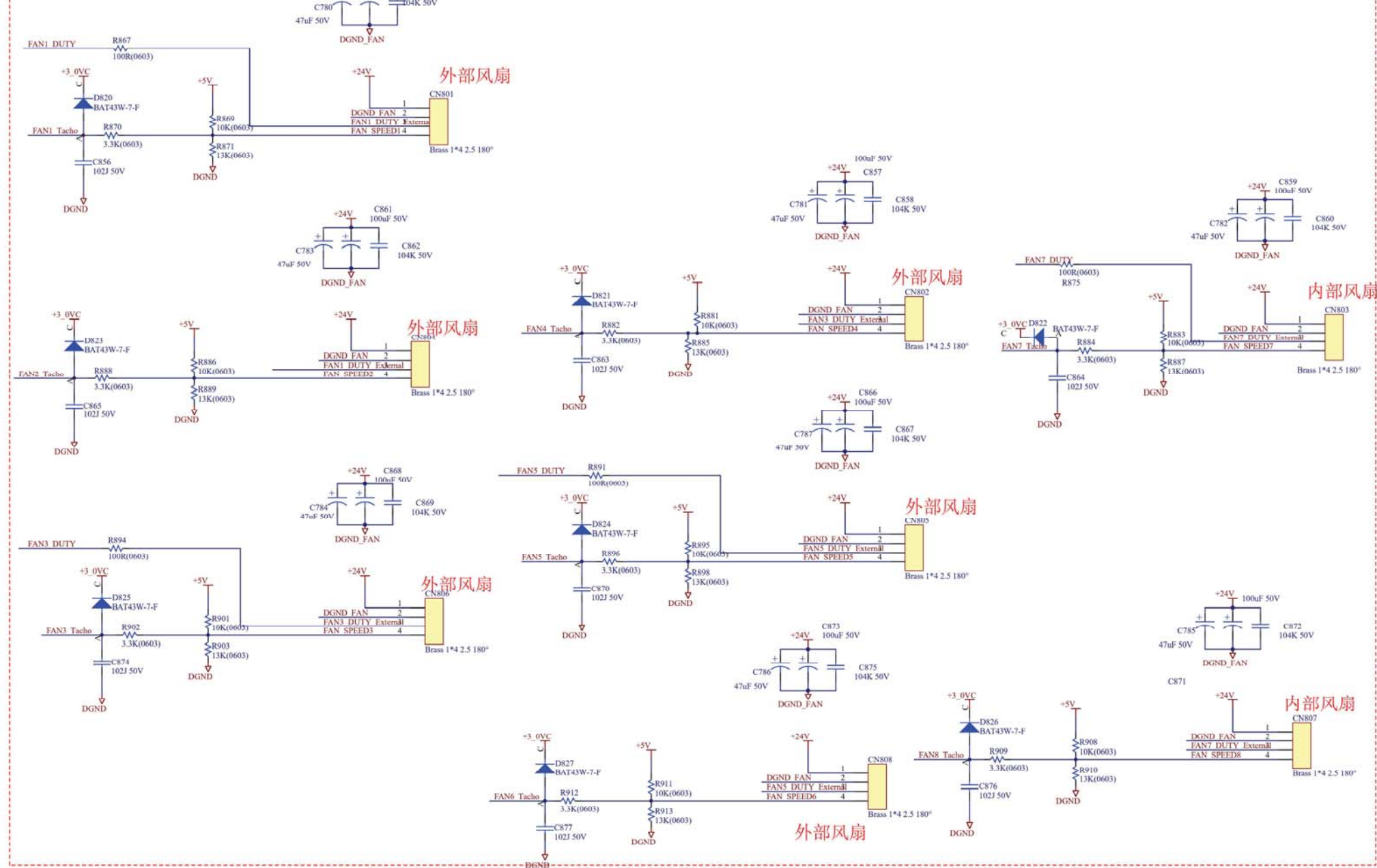
ISO检测



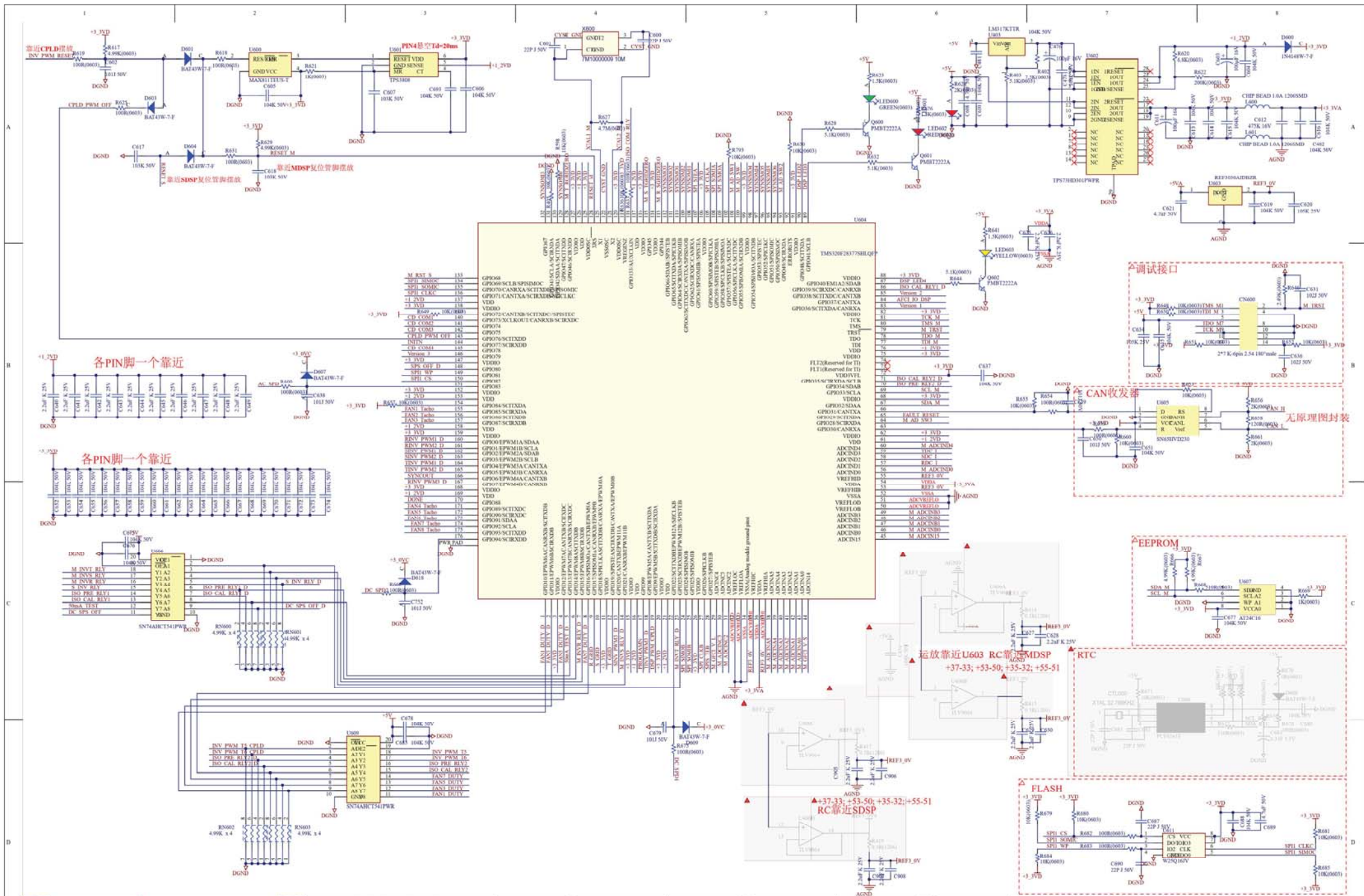


		Description: PCB CNL MIT 2.0mm 145*402 FR-4 4L (1st 1*)		Draws	Design	Checked	Approved	SHEET
热力学环境科技有限公司 Committed to environmental protection		PCB P/N: 199-2014-01	Drawing REV: 01	Monica Mo	Zhangwen Zhang	Zhangwen Zhang	David Xu	5 OF 17
JIANGSU GOODWE POWER SUPPLY TECHNOLOGY CO.,LTD.		DOC NO: 5	Date: 2020.10.14					

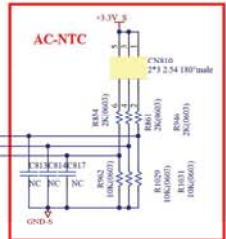
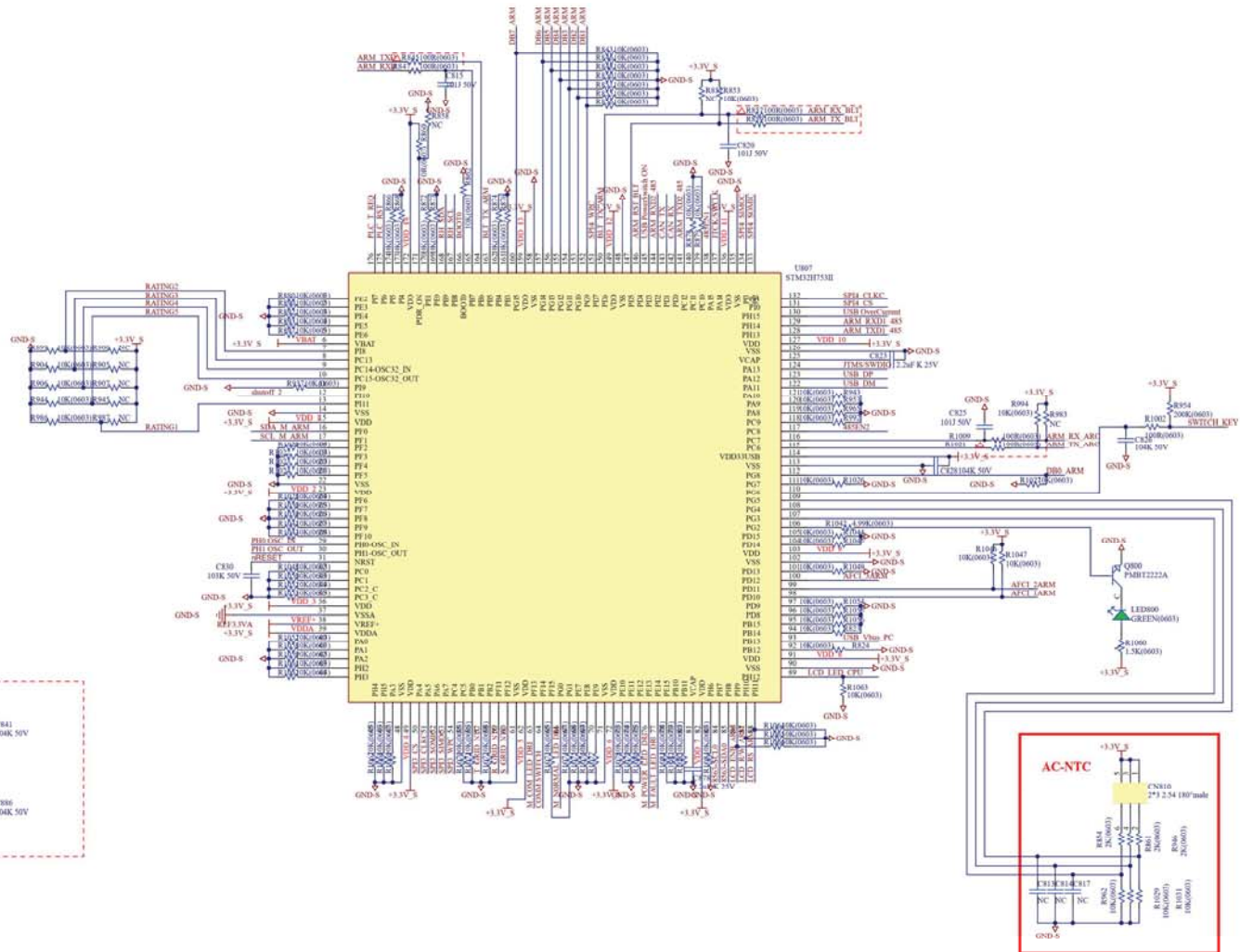
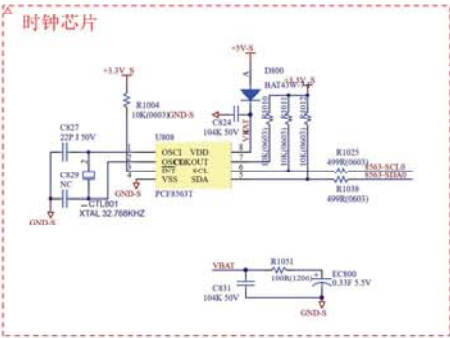
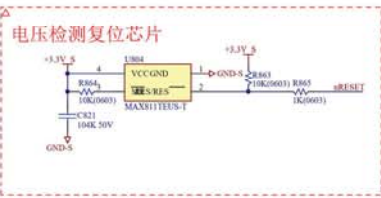
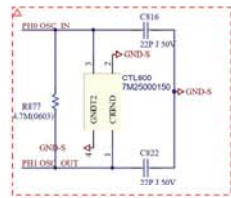
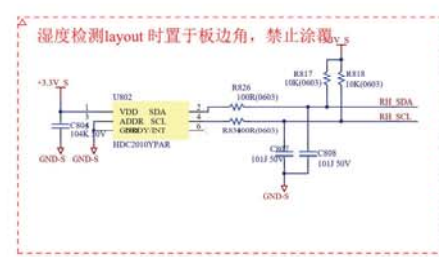
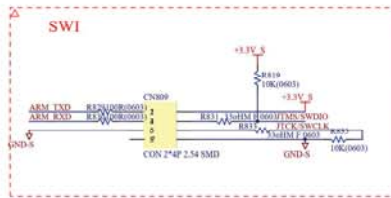
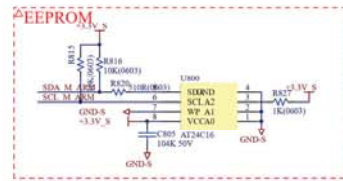
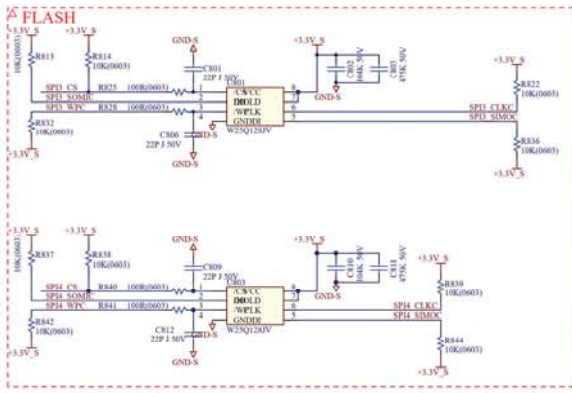
风扇转速检测&控制



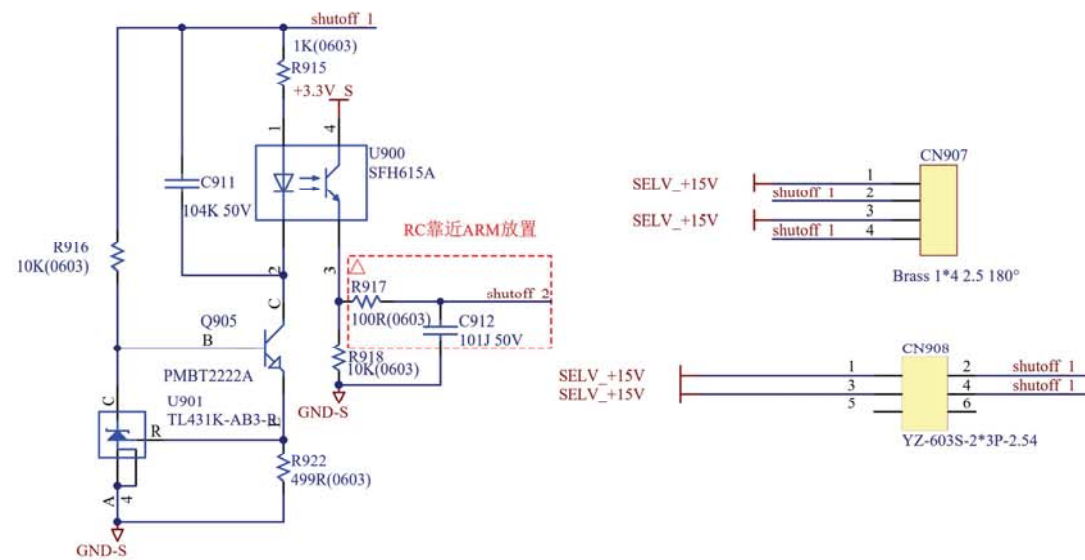
<p>GOODWE 致力节能环保事业 Committed to environmental protection</p> <p>GOODWE POWER SUPPLY TECHNOLOGY CO.LTD.</p>	Description: PCB CNTL HT 2.0mm 145*402 FR-4 4S 1oz 1*		Drawn	Design	Checked	Approved	SHEET
	PCB P/N: 190-20014-01	Drawing REV: 01	Monica.Mo	Zhengwen.Zhang	Zhengwen.Zhang	David.Xu	10 OF 17
	DOC NO: 10	Date: * 2020.10.14					



 热工环境技术有限公司 Committed to environmental protection	Description: PCB CNTL.HI 2.0mm 145*62 FR-4 45 1oz (1")	Draws	Design	Checked	Approved	SHEET
	PCB P/N: 190-20014-01	DOC NO: 0	Monica.Mo	Zhangyuan.Zhang	Zhangyuan.Zhang	Devt.Xu
JIANGSU GOODWE POWER SUPPLY TECHNOLOGY CO.,LTD.	Drawing REV: 01	Date: 2020.10.14				



		Description: PCB CNL HT 2.0mm 145*402 FR-4 45 1ur 1*1 PCB P/N: 196-20014-01 DOC NO: 13	Drawing REV: 01 Date: 2020.10.14	Draws: Monica Mo	Design: Yaobing Yan	Checked: Mark Tai	Approved: David Xu	SHEET 13 OF 17
--	--	--	-------------------------------------	---------------------	------------------------	----------------------	-----------------------	-------------------



GOODWE POWER SUPPLY TECHNOLOGY CO.LTD.

Description: PCB CNTL HT 2.0mm 145*402 FR-4 4S 1oz 1*1
 PCB P/N: 190-20014-01 Drawing REV. 01
 DOC NO: 1 Date: 2020.10.14

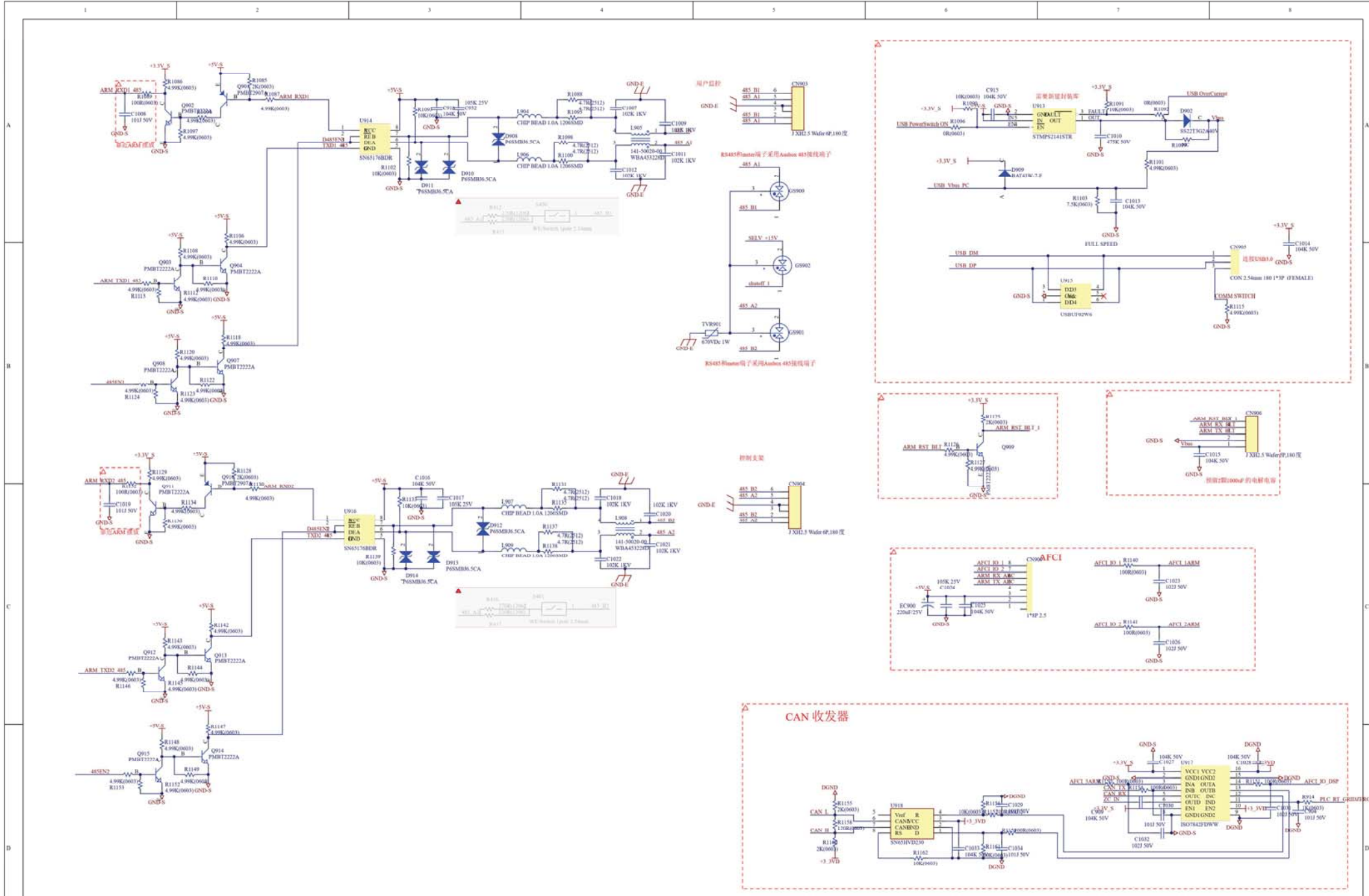
Drawn	Design	Checked	Approved	SHEET
Monica.Mo	Zhengwen.Zhang	Zhengwen.Zhang	David.Xu	17 OF 17

1

2

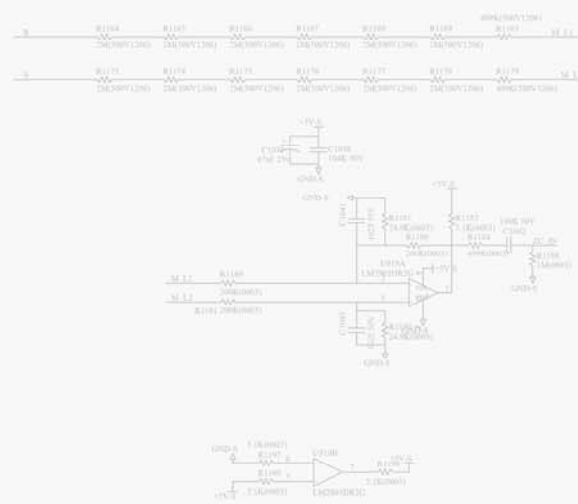
3

4

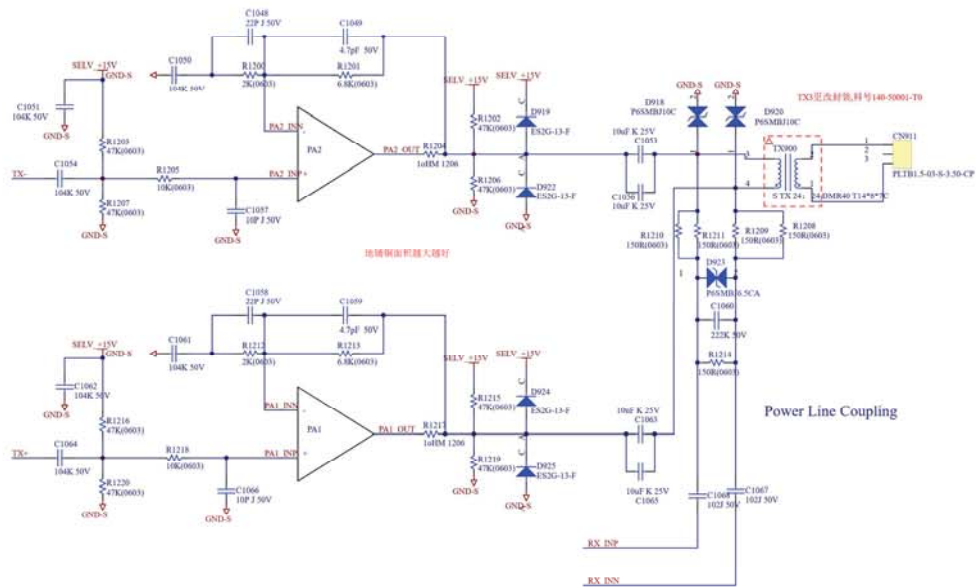
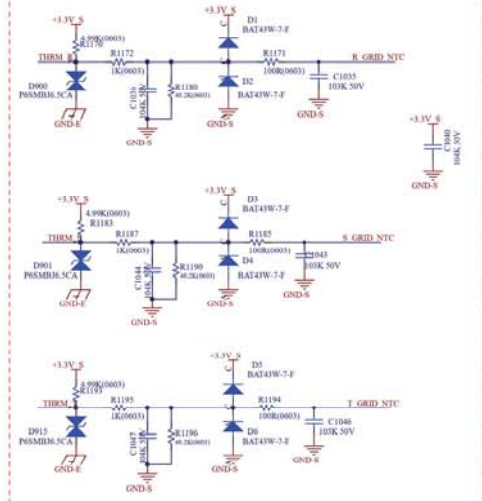


Description	PCB P/N	DOC NO	Date	Draws	Design	Checked	Approved	SHEET
PCB: CNTL_HET 2.0mm 145*802 FR-4 45 1mm 1*	190-2001(4-0)	14	2020.10.14	Monica Mei	Yiding Yan	Mark Tom	DeviLXu	14 OF 17

电网过零检测

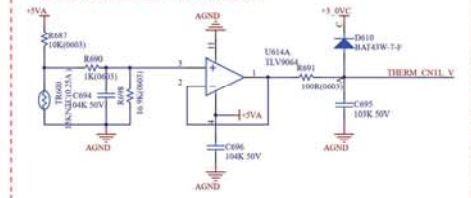


AC 端子温度检测

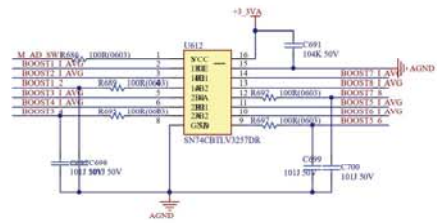
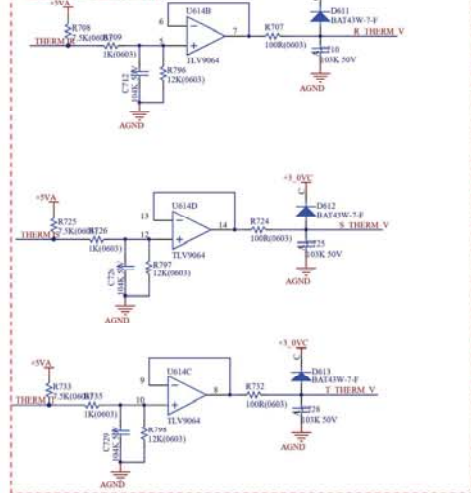


		Description: PCB CNL HT 2.0mm 145*402 FR-4 45 (10 17) PCB P/N: 199-2014-01 DOC NO: 15	Drawing REV: 01 Date: 2020.10.14	Draws: Monica Mo	Design: Yulong Yu	Checked: Mark Tian	Approved: David Xu	SHEET 15 OF 17
JIANGSU GOODWE POWER SUPPLY TECHNOLOGY CO.,LTD.								

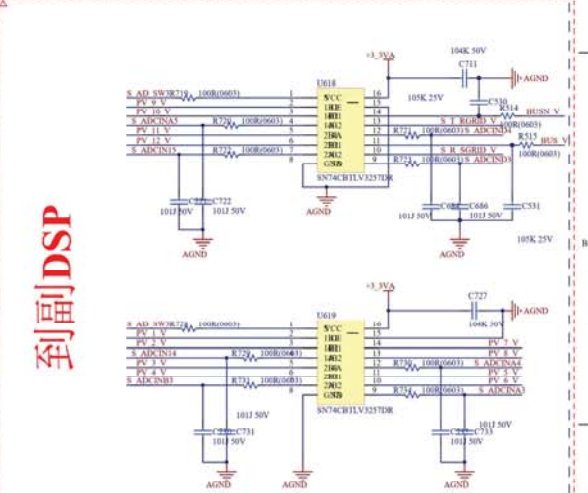
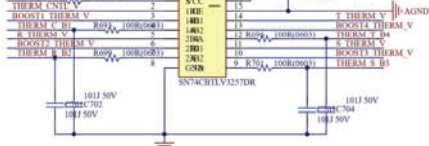
控制板温度检测, NTC远离DSP



逆变模块温度检测

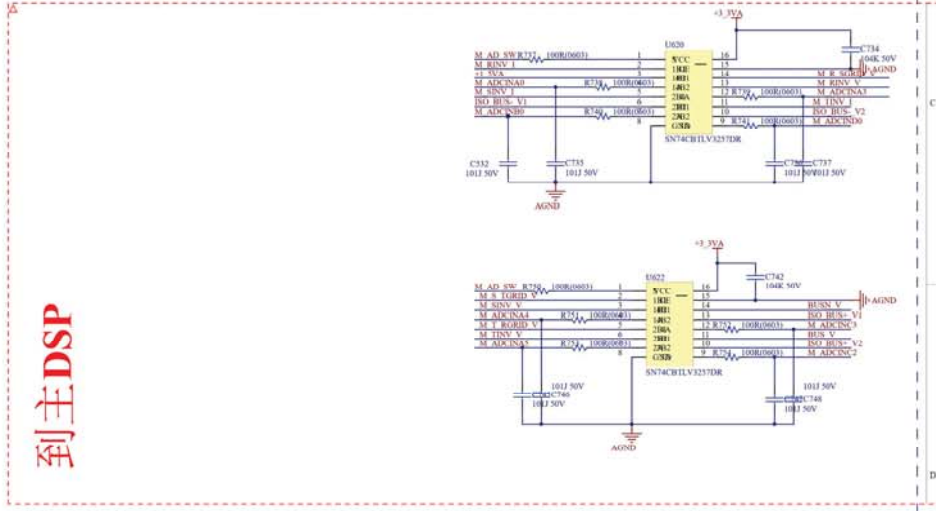
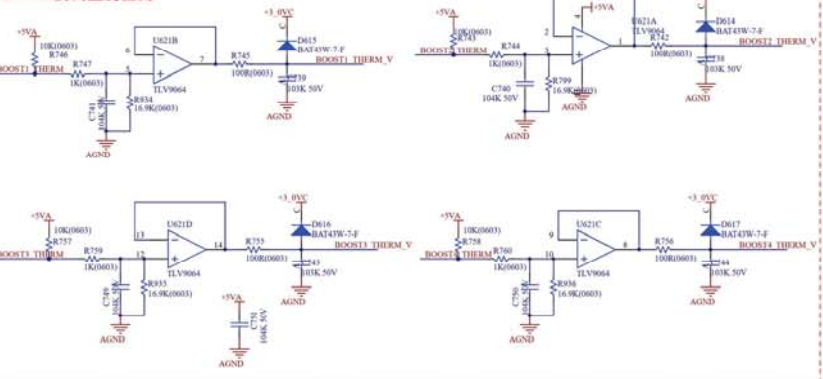


已修改1105



到副DSP

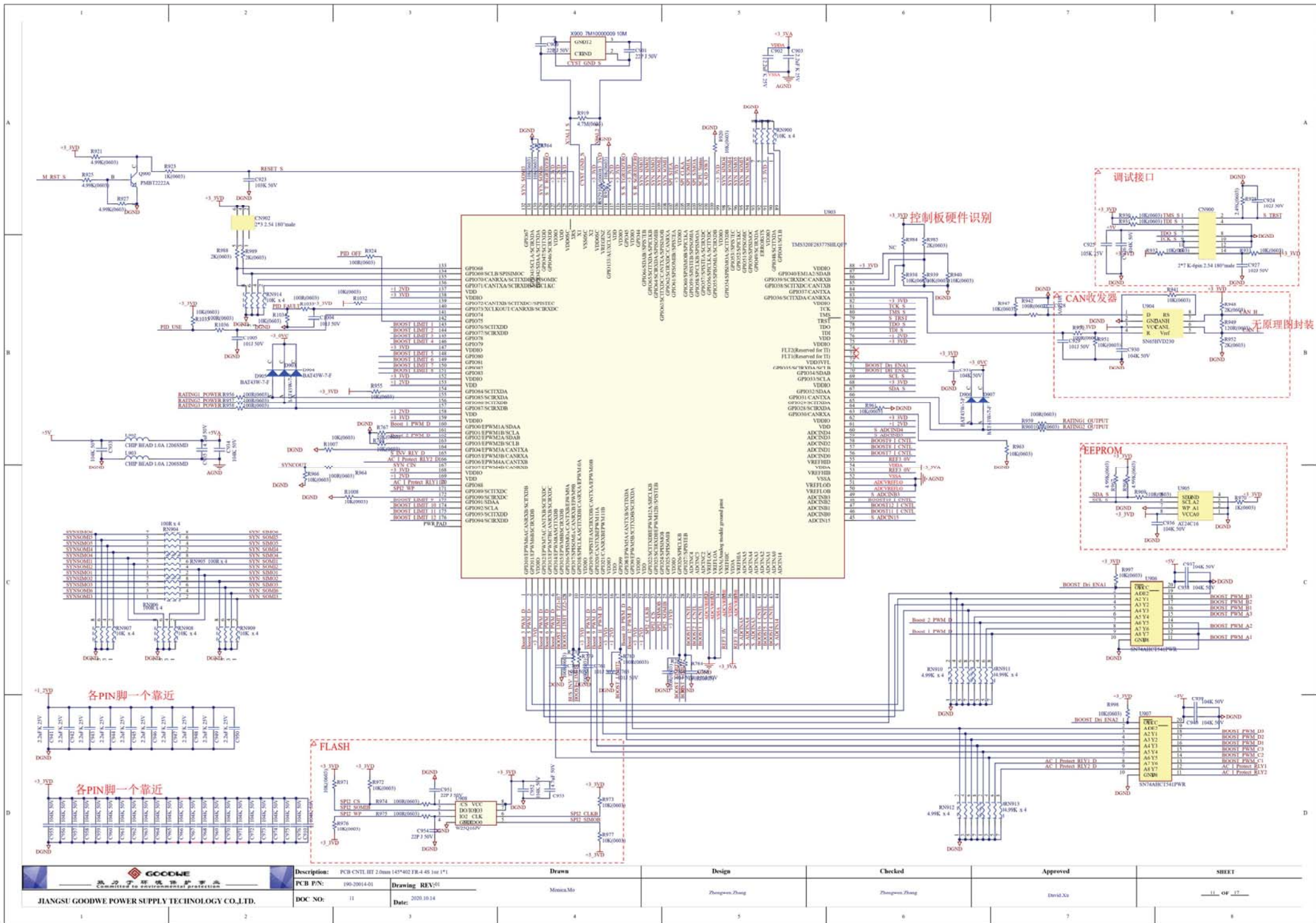
BOOST模块温度检测



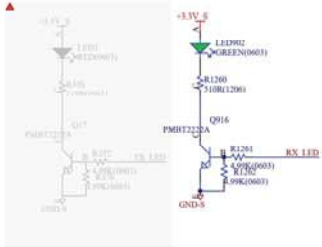
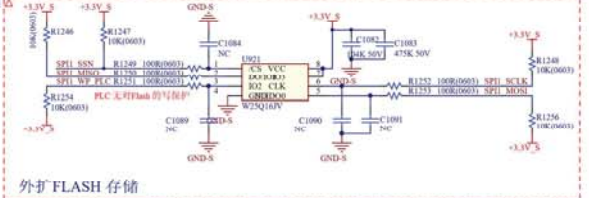
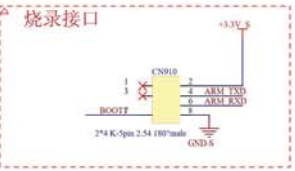
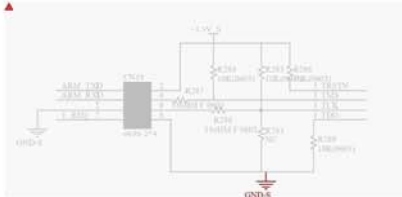
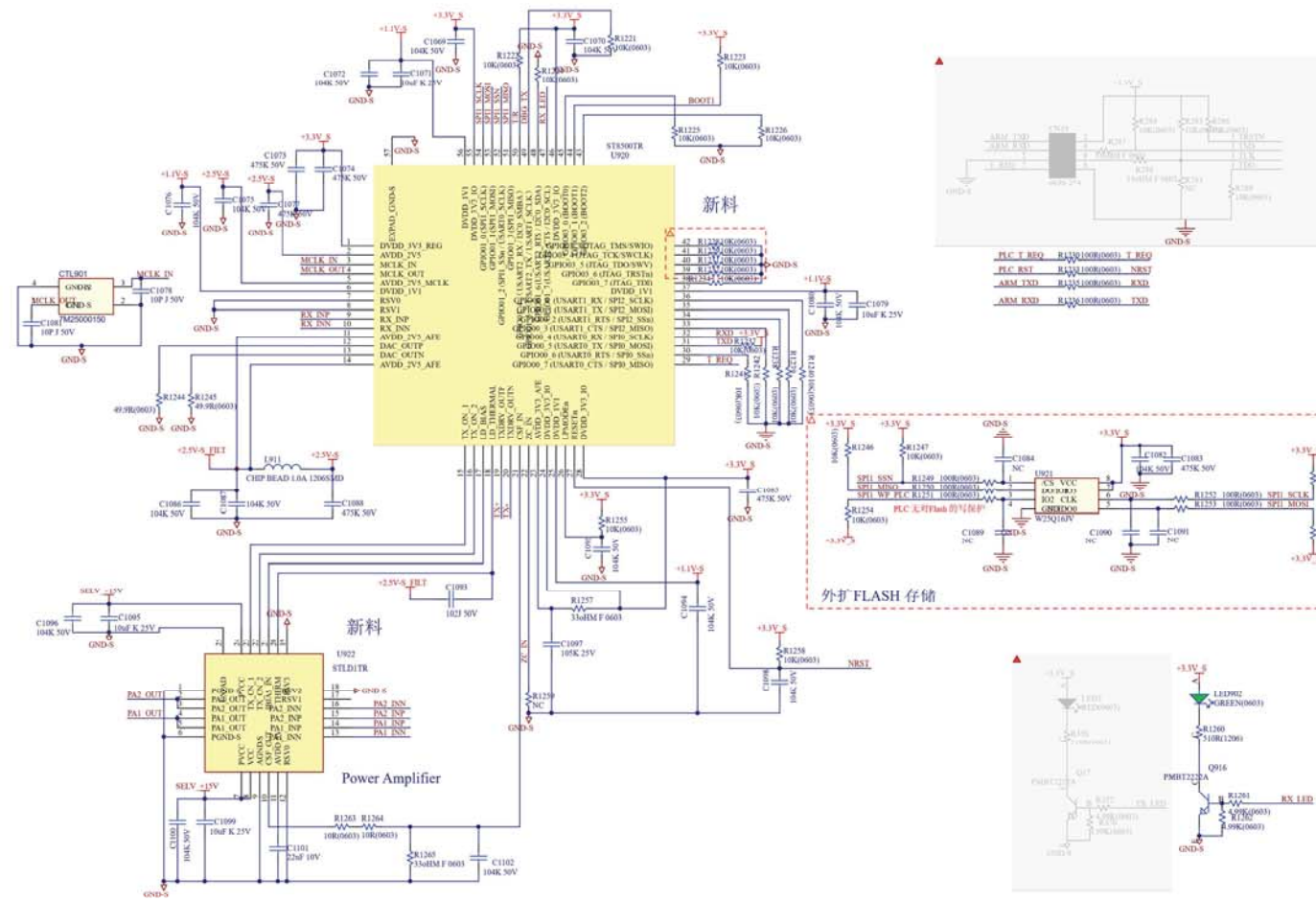
到主DSP

Description: PCB CNTL.HI 2.0mm 145*82 FR-4 45 1oz 1"		Drawn	Design	Checked	Approved	SHEET
PCB P/N: 190-20014-01	Drawing REV: 01	Monica.Mo	Zhangwen.Zhang	Zhangwen.Zhang	Deval.Xu	7 OF 17
DOC NO: 7	Date: 2020.10.14					

JIANGSU GOODWE POWER SUPPLY TECHNOLOGY CO.,LTD.



		Description: PCB CNTL HIT 2.0mm 145*82 FR-4 45 100 151	Drawn: Monica Mo	Design: Zhangqun Zhang	Checked: Zhangqun Zhang	Approved: David Xu	SHEET: 11 OF 17
JIANGSU GOODWE POWER SUPPLY TECHNOLOGY CO.,LTD.		PCB P/N: 190-20014-01	Date: 2020.10.14				
		DOC NO: 11					



		Description: PCB CNTL HT 2.0mm 145*62 FR-4 45 1st (1*)		Draws	Design	Checked	Approved	SHEET
190-20014-01 Drawing REV: 01		DOC NO: 16 Date: 2020.10.14		Monica Ma	Yuehui Yan	Mark Tsui	David Xu	16 OF 17
JIANGSU GOODWE POWER SUPPLY TECHNOLOGY CO.,LTD.								