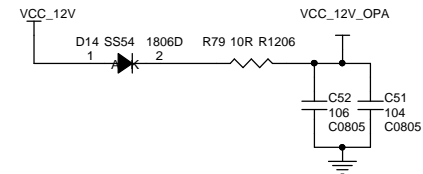
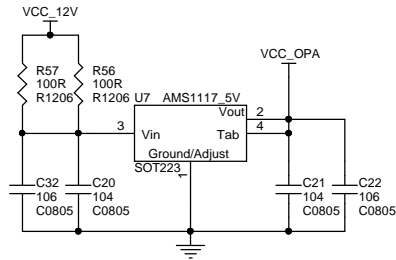
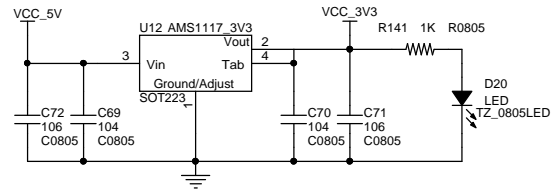
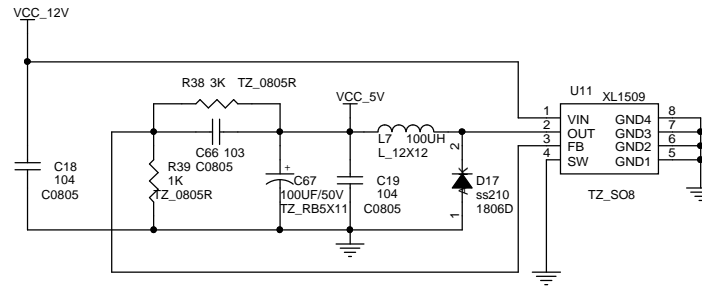
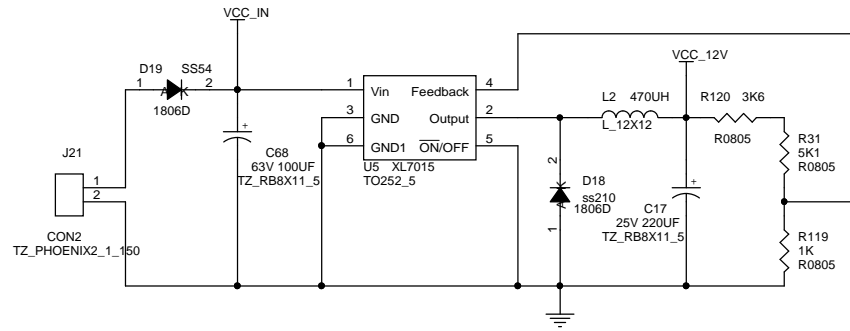
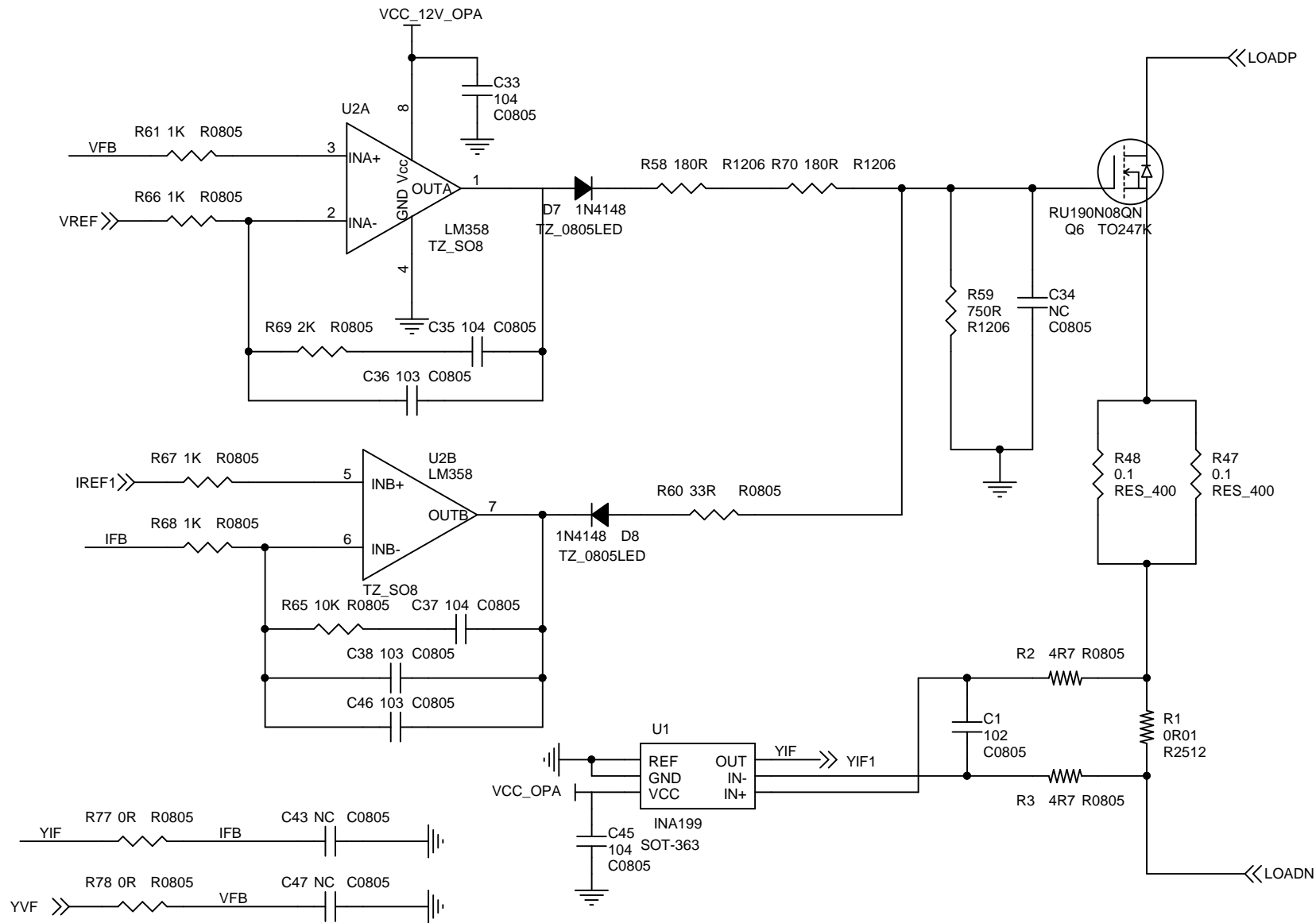


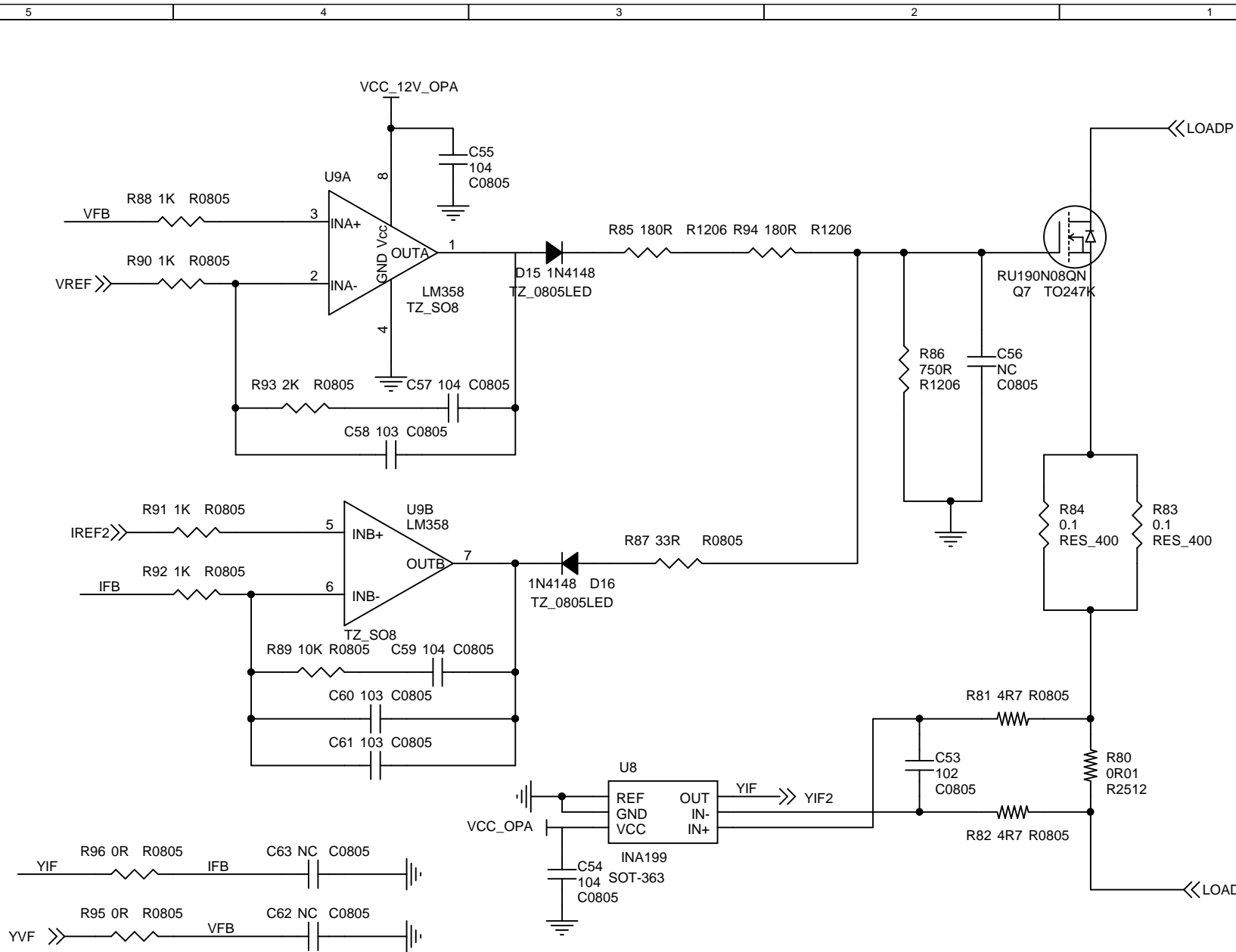
Title	<Title>	
Size	Document Number	Rev
B	<Doc>	<Rev Code>
Date:	Monday, June 07, 2021	Sheet 1 of 1



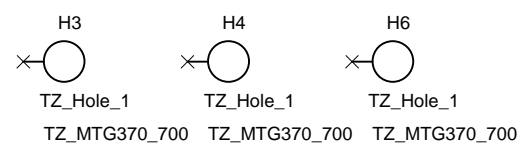
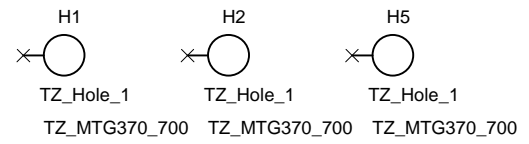
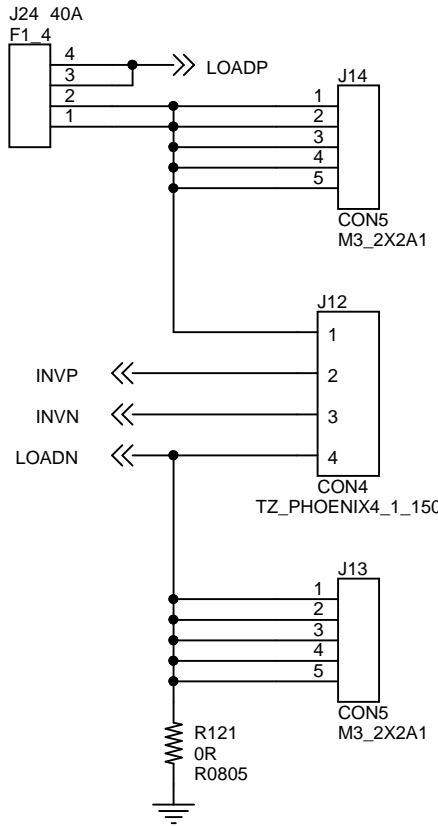
Title		
<Title>		
Size	Document Number	Rev
B	<Doc>	<Rev Code>
Date:	Saturday, June 05, 2021	Sheet 1 of 1



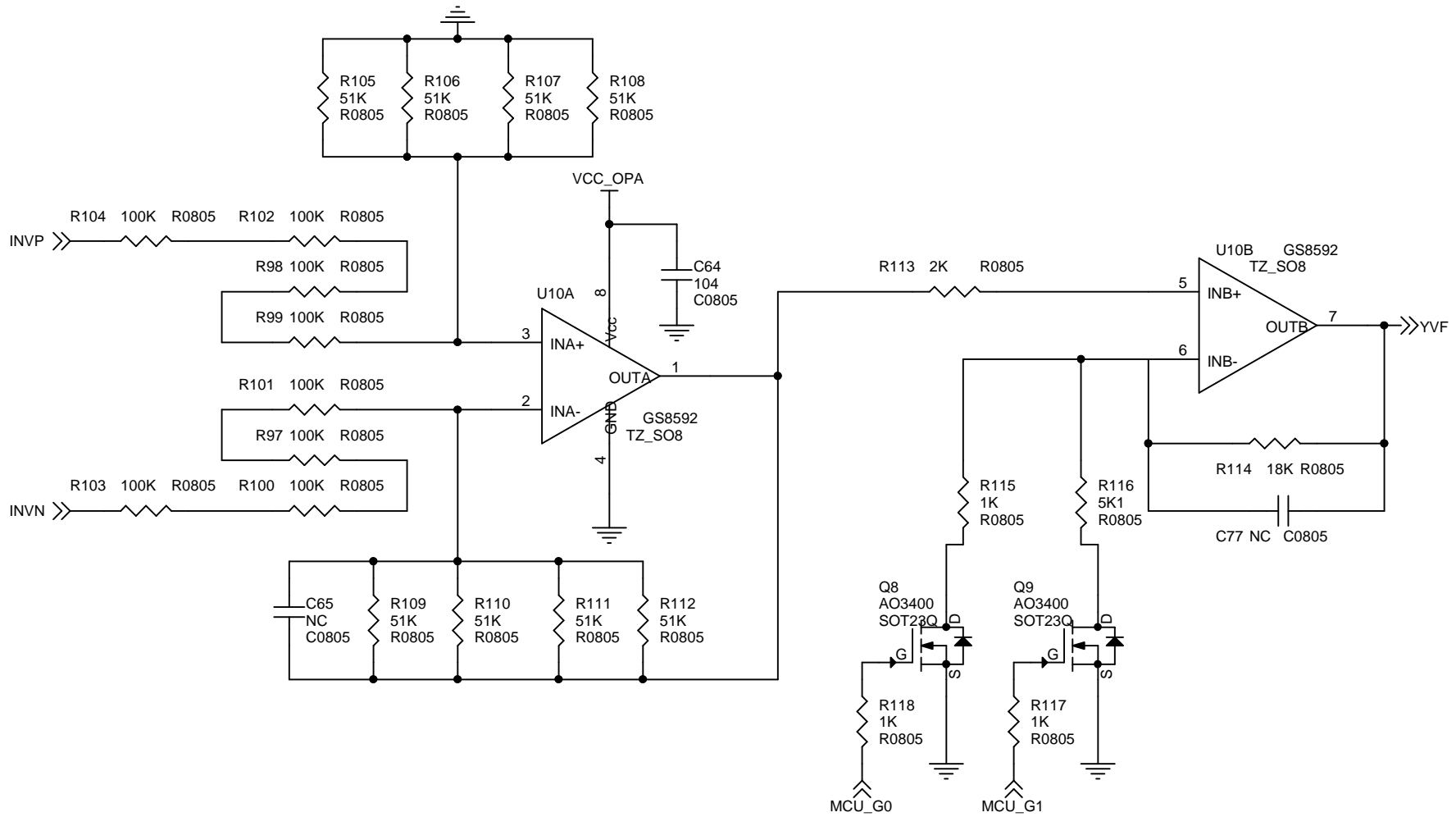
Title		
<Title>		
Size	Document Number	Rev
A	<Doc>	<RevCode>
Date:	Saturday, June 05, 2021	Sheet 1 of 1



Title		
<Title>		
Size	Document Number	Rev
A	<Doc>	<RevCode>
Date: Saturday, June 05, 2021		
Sheet 1 of 1		



Title		
<Title>		
Size	Document Number	Rev
A	<Doc>	<RevCode>
Date: Saturday, June 05, 2021		
Sheet 1 of 1		



Title		
<Title>		
Size	Document Number	Rev
A	<Doc>	<RevCode>
Date: Saturday, June 05, 2021		
Sheet 1 of 1		