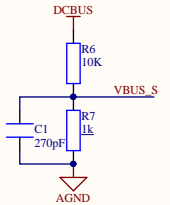
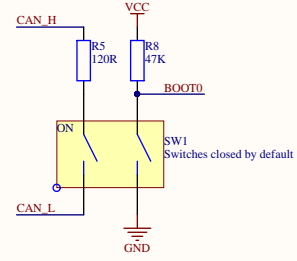
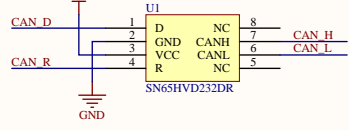
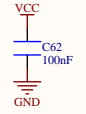
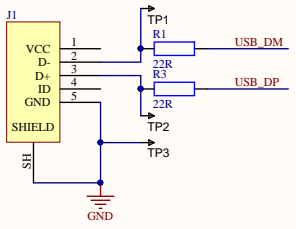
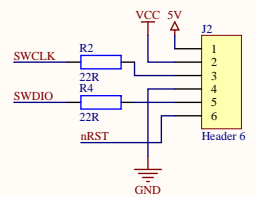
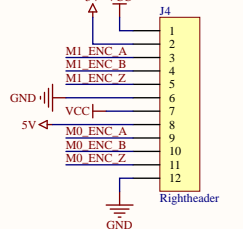
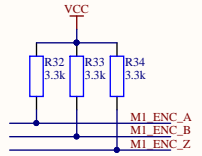
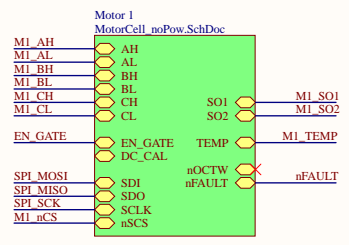
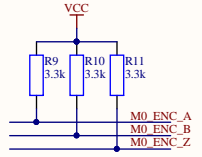
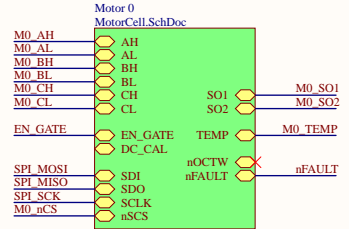
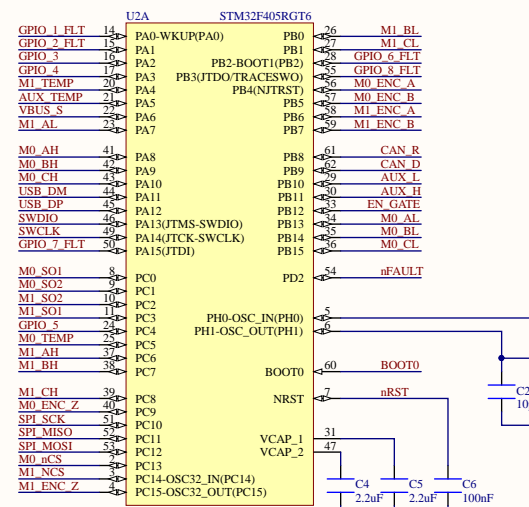
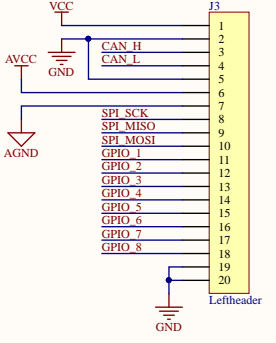


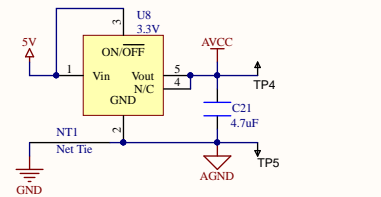
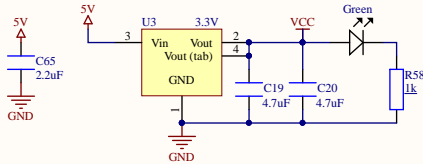
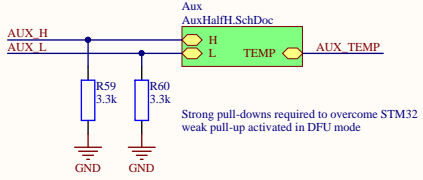
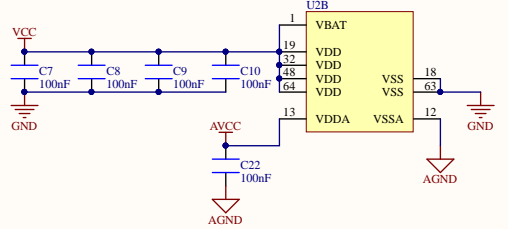
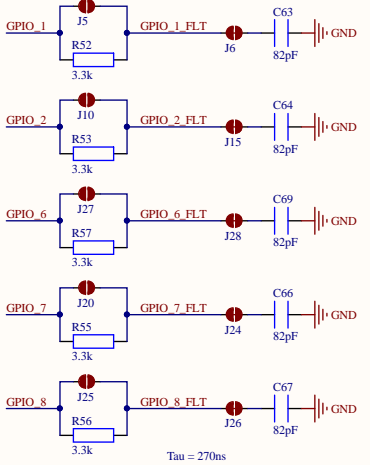
A



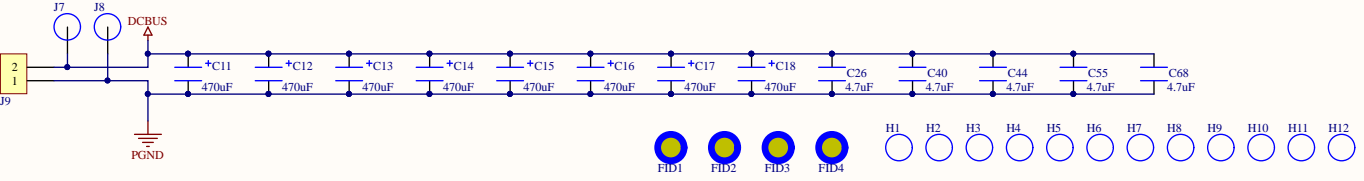
B



C



D



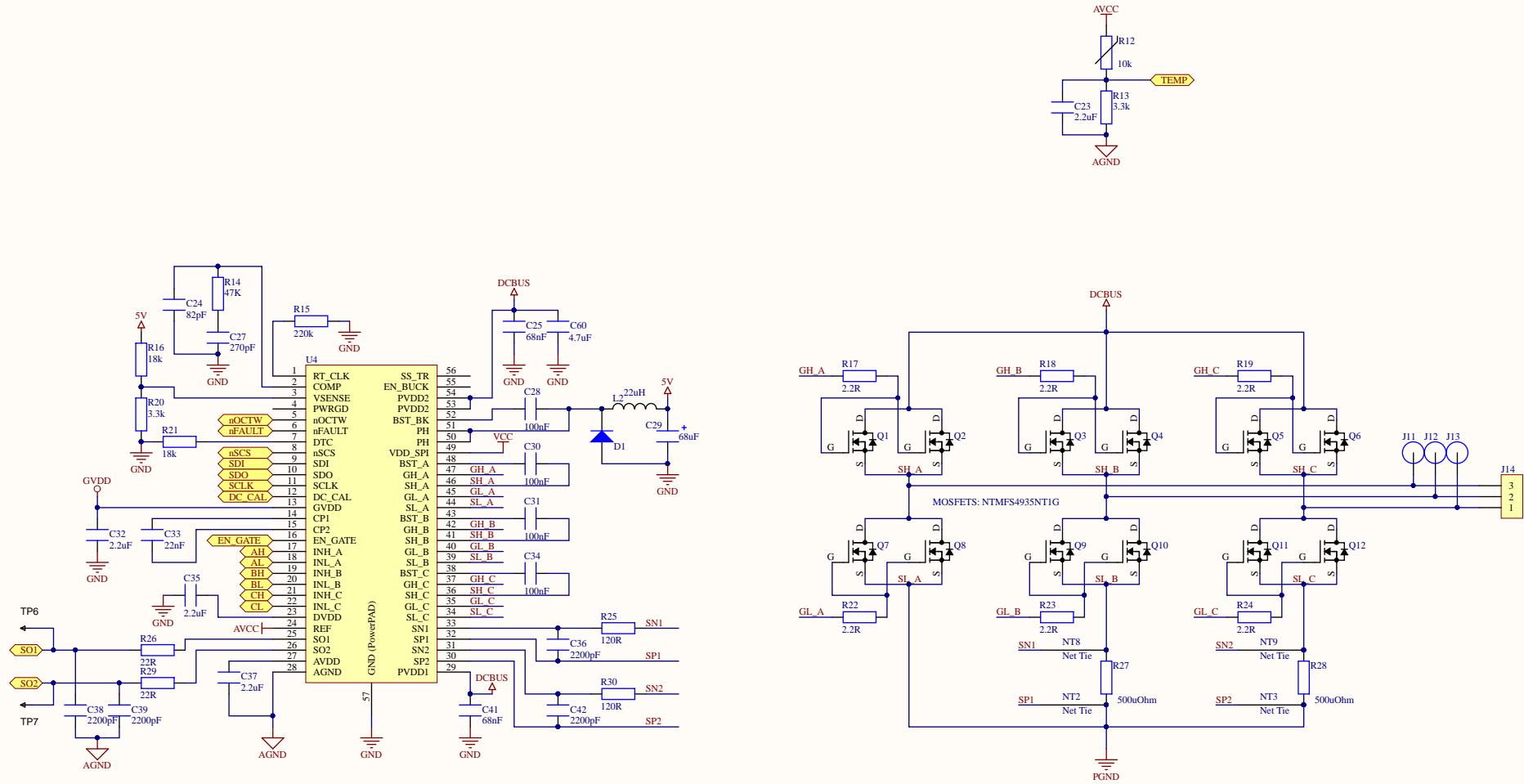
Title		
Size A3	Number	Revision
Date: 2018-07-23	Sheet of	
File: C:\Users\...Top.SchDoc	Drawn By:	

A

B

C

D



Title		
Size	Number	Revision
A3		
Date:	2018-07-23	Sheet of
File:	C:\Users\...MotorCell.SchDoc	Drawn By:

A

B

C

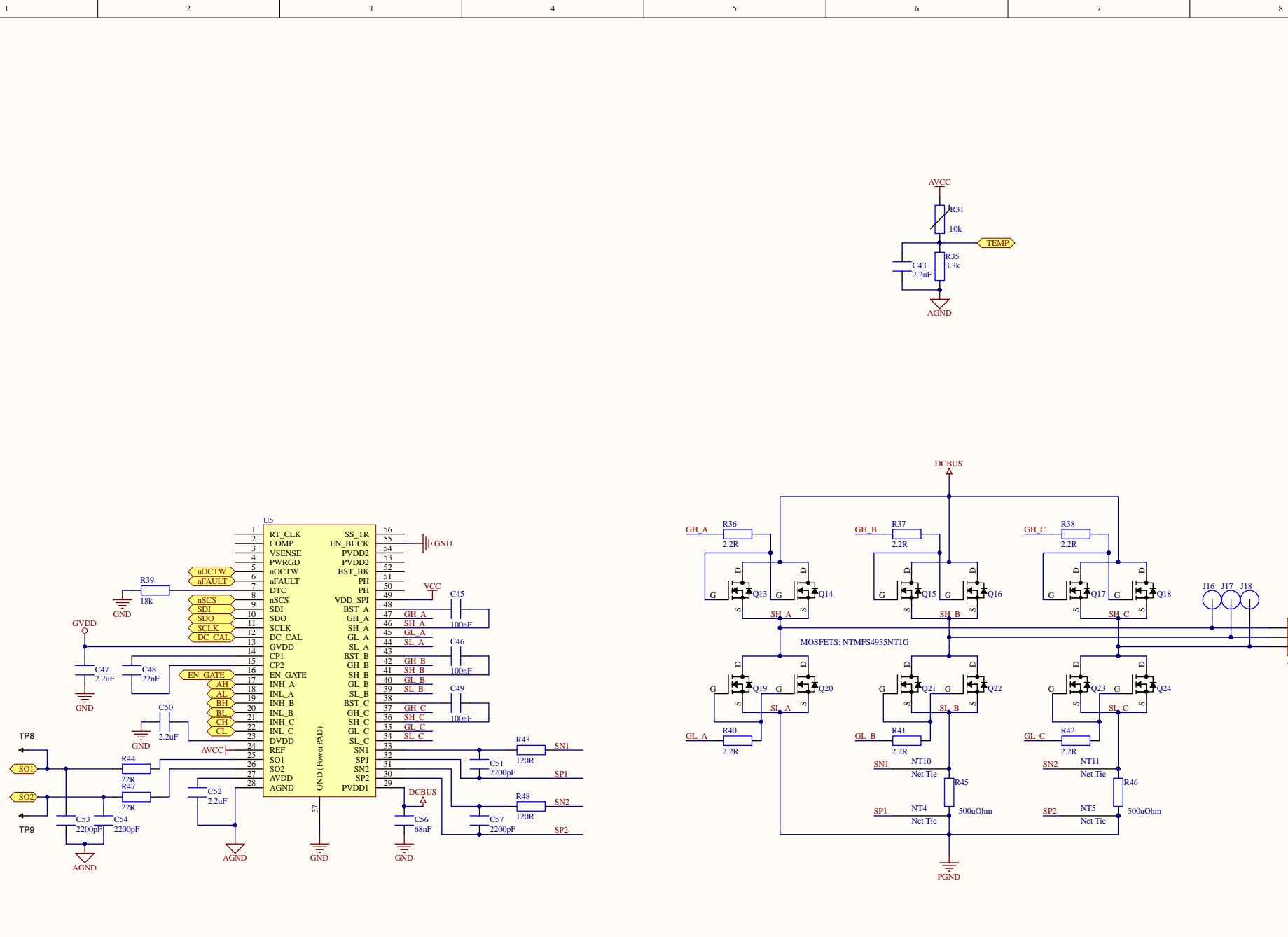
D

A

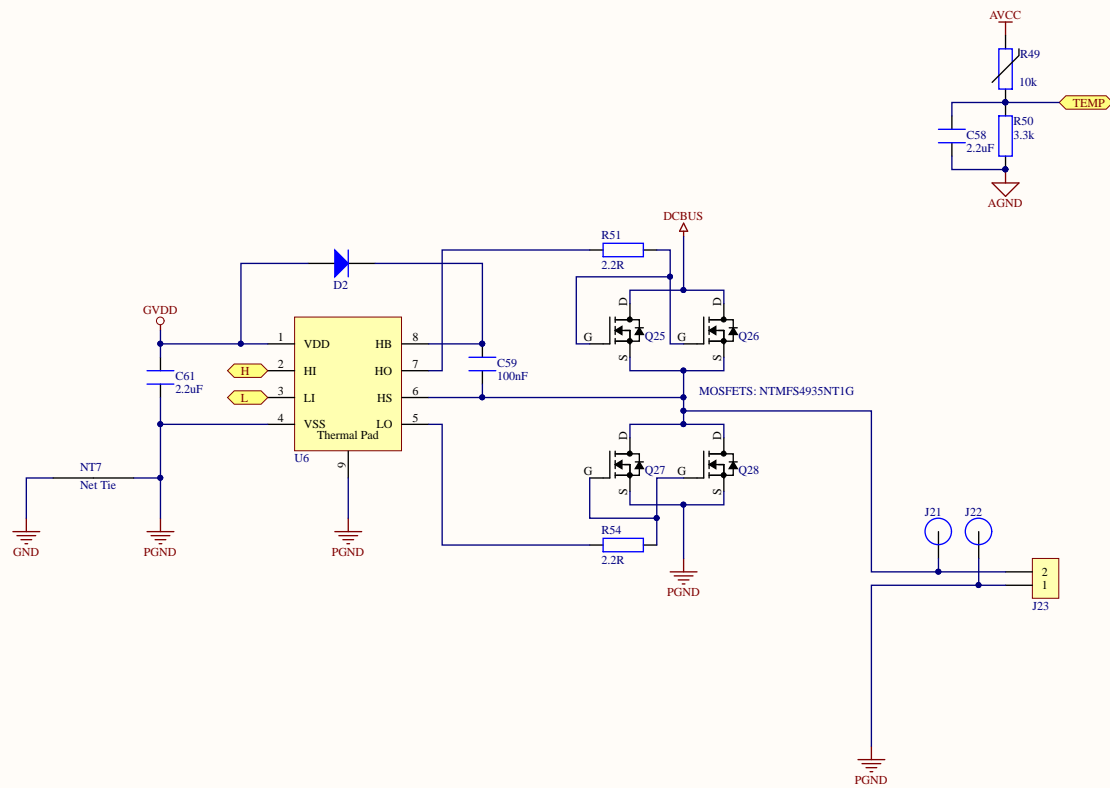
B

C

D



Title		
Size	Number	Revision
A3		
Date:	2018-07-23	Sheet of
File:	C:\Users\MotorCell noPow\SchDoc	Drawn By:



Title		
Size	Number	Revision
A3		
Date:	2018-07-23	Sheet of
File:	C:\Users\...AuxHalH.SchDoc	Drawn By: