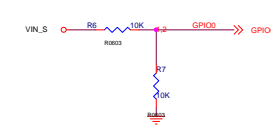
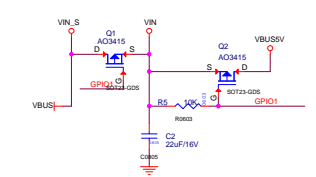
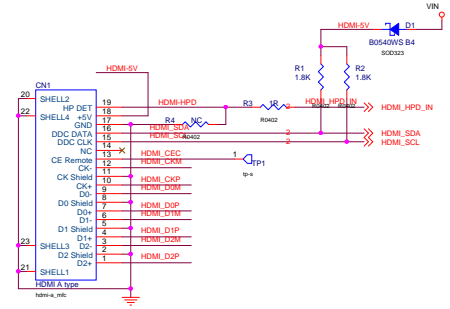
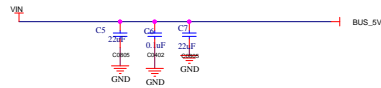
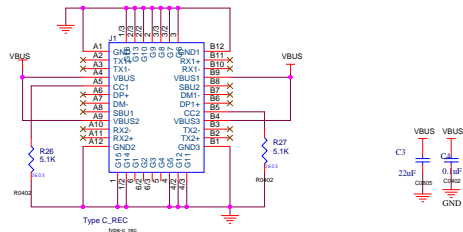
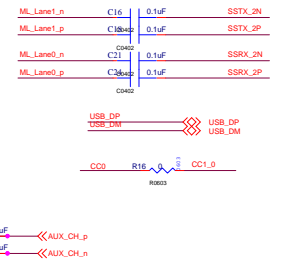
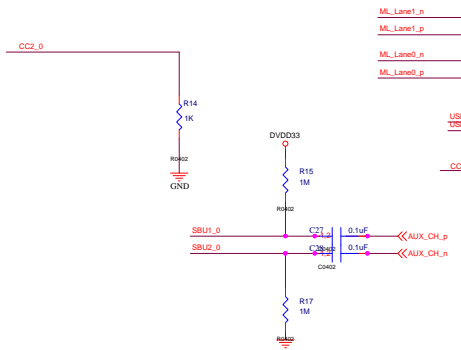
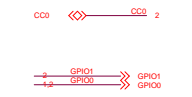
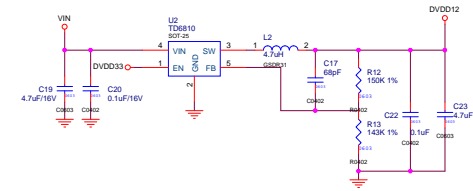
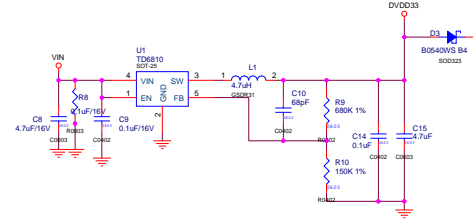
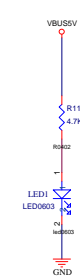
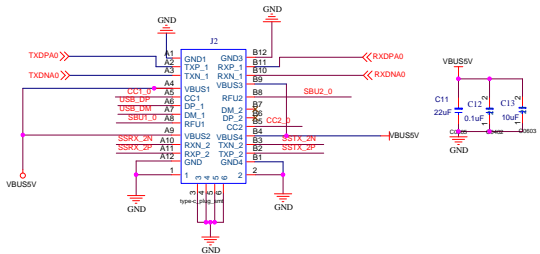


母头



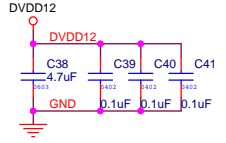
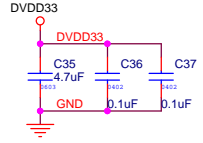
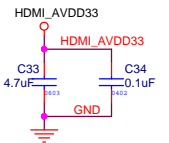
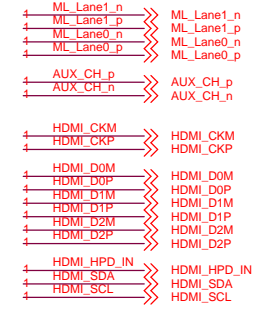
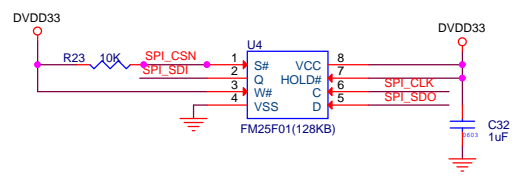
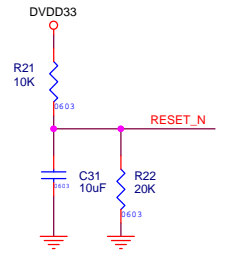
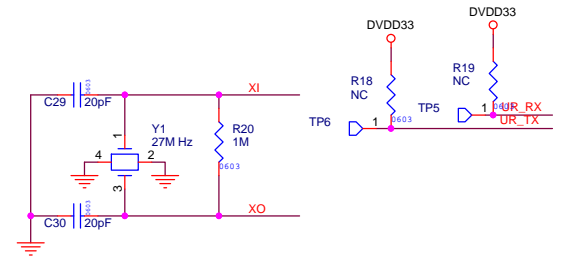
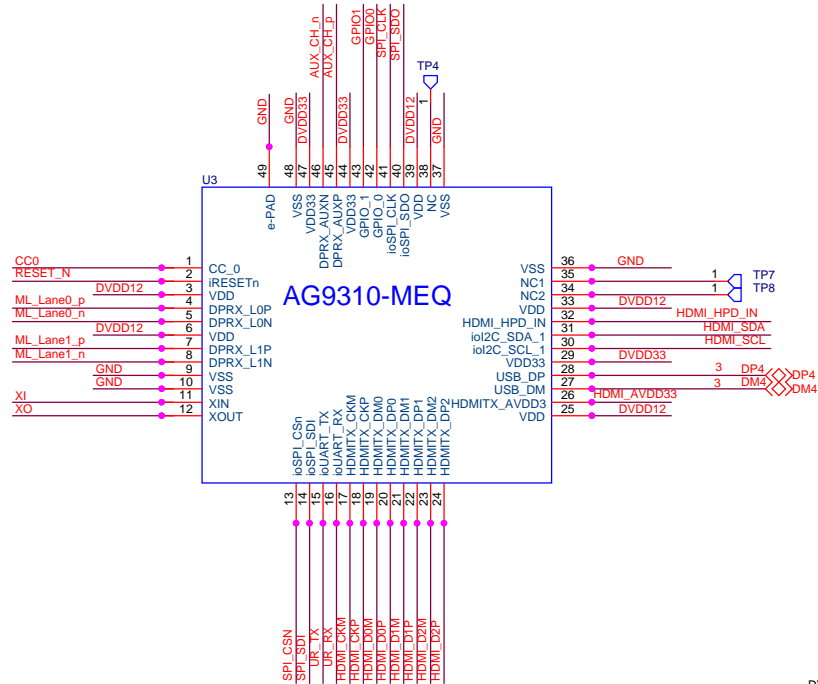
TYPE_C_CABLE



TEL:18520874087 QQ:1659747718

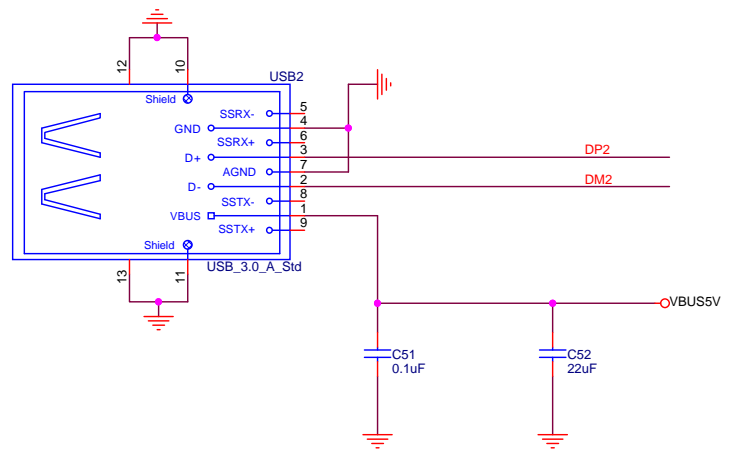
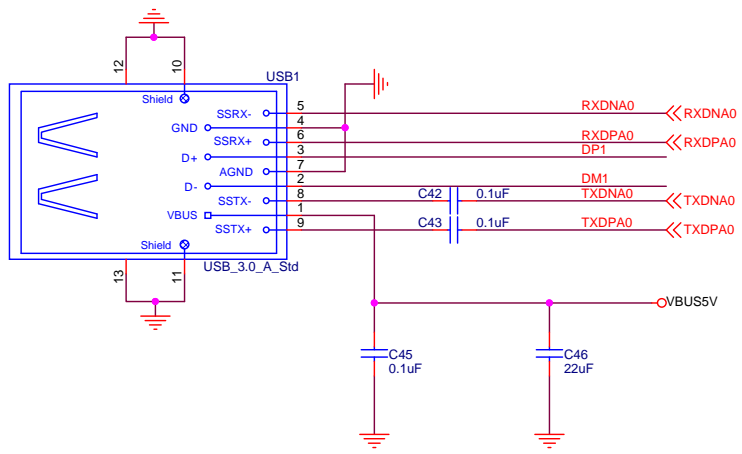
File	<Title>	Rev
Size	Document Number	Rev
Desc	Doc	Rev
Date:	File: August 28, 2020	Sheet 1 of 3

Remind : This circuit is for AG9310-MEQ.

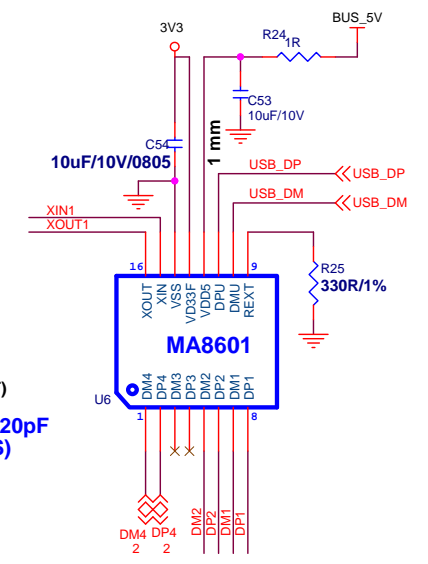


1. C34, C35 close to pin34

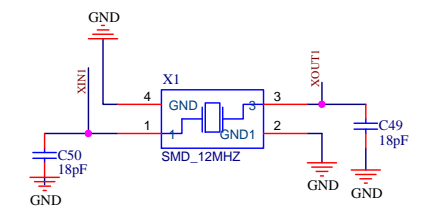
TEL:18520874087 QQ:1659747718		
Title	AG9310-MEQ	
Size	Document Number	Rev
A3	AG9310-MEQ D06 Type C to HDMI + Legacy 5V	<Rev Code>
Date:	Friday, August 28, 2020	Sheet 2 of 3



MA8601_USB2.0_HUB



* C2 close to pin 13 (VD33F)
 Crystal 12MHZ / 16~20pF
 30~50ppm / (HC-49S)
 ESR 50 ohm Max



TEL:18520874087 QQ:1659747718		
Title	<Title>	
Size	Document Number	Rev
B	<Doc>	<RevCode>
Date:	Friday, August 28, 2020	Sheet 3 of 3