

A

B

C

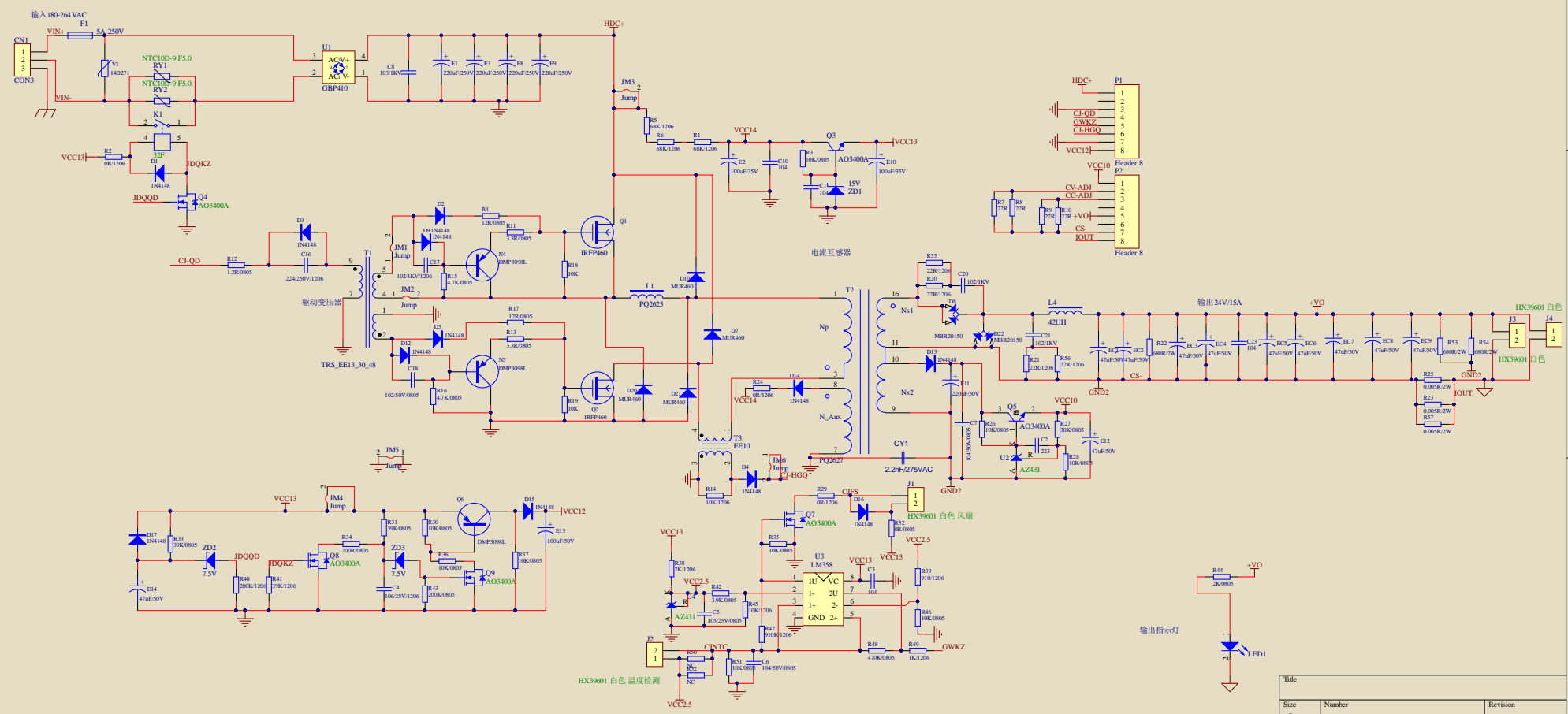
D

A

B

C

D



Title		
Size	Number	Revision
C		
Date:	2020/10/22	Sheet of
File:	F:\dooa_nsh_vac220-DC34.SCHDOC	Drawn By:

Comment	Description	Designator	Footprint	LibRef	Quantity
104	Capacitor	C1, C3, C10, C23	C0805W	CAP	4
223	Capacitor	C2	C0805W	CAP	1
106/25V/1206	Capacitor	C4	C0805W	CAP	1
105/25V/0805	Capacitor	C5	C0805W	CAP	1
104/50V/0805	Capacitor	C6, C7	C0805W	CAP	2
103/1KV	Capacitor	C8	C1206W	CAP	1
224/250V/1206	Capacitor	C16	C1206W	CAP	1
102/1KV/1206	Capacitor	C17	C1206W	CAP	1
102/50V/0805	Capacitor	C18	C0805W	CAP	1
102/1KV	Capacitor	C20, C21	C1206W	CAP	2
CON3		CN1	HX50803-3A	CON3	1
2.2nF/275VAC	Capacitor 4000V/20%	CY1	CC-P10	07.0649	1
1N4148	Diode	D1, D2, D3, D4, D5, D9, D12, D13, D14, D15, D16, D17	1L-34	DIODE	12
MUR460	Diode	D7, D10, D20, D21	SF56	DIODE	4
MBR20150		D8, D22	TO-220-T-2	BRIDGE3	2
220uf/250V	Capacitor	E1, E3, E8, E9	DIP-EC18-V PP=7.5	CAPACITOR POL	4
100uf/35V	Capacitor	E2	DIP-EC8 PP=3.5	CAPACITOR POL	1
100uf/35V	Capacitor	E10	DIP-EC6.3-AI PP=2.5	CAPACITOR POL	1
220uf/50V	Capacitor	E11	DIP-EC8 PP=3.5	CAPACITOR POL	1
47uf/50V	Capacitor	E12, E14	DIP-EC6.3-AI PP=2.5	CAPACITOR POL	2
100uf/50V	Capacitor	E13	DIP-EC6.3-AI PP=2.5	CAPACITOR POL	1
47uf/50V	Capacitor	EC1, EC2, EC3, EC4, EC5, EC6, EC7, EC8, EC9	CAP RB5.0*10	CAPACITOR POL	9
5A-250V		F1	FUSE-F-F-AI	Fuse	1
HX39601 白色 风扇	Connector	J1	VH3.96-2A	CN2	1
HX39601 白色 温度检测	Connector	J2	XH2.5-2A	CN2	1
HX39601 白色	Connector	J3, J4	VH3.96-2A	CN2	2
Jump	跳线	JM1, JM2	J15	Jump	2
Jump	跳线	JM3	J10	Jump	1
Jump	跳线	JM4, JM5, JM6	R1206W	Jump	3
32F	一路常开继电器	K1	RELAY-HF32F_1A	Relay-SPST	1
PQ2625		L1	TRS_PQ2625	INDUCTOR2	1
42UH		L4	L_D33	INDUCTOR2	1
LED	发光二极管	LED1	LED@5	LED	1
DMP3098L	PNP Transistor	N4, N5, Q6	SOT23-HJ	PNP	3
Header 8	Header, 8-Pin	P1, P2	HDR1X8	Header 8	2
IRFP460		Q1, Q2	TO-220-T-2	MOSFET-N1	2
AO3400A	NPN General Purpose Amplifier, N-MOSFET, NPN General Purpose Amplifier, N-MOSFET, N-MOSFET, N-MOSFET	Q3, Q4, Q5, Q7, Q8, Q9	SOT23-HJ	2N3904, MOS-N, 2N3904, MOS-N, MOS-N, MOS-N	6
68K/1206		R1, R5, R6	R1206W	RES0	3
0R/1206		R2, R24, R29	r1206w	RES0	3
10K/0805		R3, R26, R28, R30, R35, R36, R37, R46, R51	R0805W	RES0	9
12R/0805		R4, R17	r0805w	RES0	2
22R		R7, R8, R9, R10	r0805w	RES0	4
3.3R/0805		R11, R13	r0805w	RES0	2
1.2R/0805		R12	R0805W	RES0	1
10K/1206		R14, R45	r1206w	RES0	2
4.7K/0805		R15, R16	r0805w	RES0	2
10K		R18, R19	r0805w	RES0	2
22R/1206		R20, R21, R55, R56	r1206w	RES0	4
680R/2W		R22, R53, R54	r1206w	RES0	3
0.005R/2W		R23, R25, R57	R2512W	RES0	3
30K/0805		R27	r0805w	RES0	1
39K/0805		R31, R33	R0805W	RES0	2
0R/0805		R32	r0805w	RES0	1
200R/0805		R34	R0805W	RES0	1
2K/1206		R38	R1206W	RES0	1
910/1206		R39	R1206W	RES0	1
200K/1206		R40	R0805W	RES0	1
39K/1206		R41	R0805W	RES0	1
3.9K/0805		R42	R0805W	RES0	1
200K/0805		R43	R0805W	RES0	1
2K/0805		R44	R0805W	RES0	1
910K/1206		R47	R1206W	RES0	1
470K/0805		R48	r0805w	RES0	1
1K/1206		R49	R1206W	RES0	1
NC		R50, R52	r0805w	RES0	2
NTC10D-9 F5.0	热敏电阻	RY1, RY2	VAR5.0-7D-AI	NTC	2
TRS_EE13_30_48		T1	TRS_EE13_30_48	BYO-7	1
PQ2627		T2	TRS_EER4220	PQ26	1
EE10		T3	TRS_EE10_1_100	IC	1
GBP410	插件全波整流桥	U1	BR5	Bridge_DIP	1
AZ431	基准芯片	U2, U4	SOT-23W - TL431	TL431	2
LM358		U3	SO-8W	AP4310	1
14D271		V1	VAR7.5-10D-AI	VARISTOR	1
15V	Diode Tunnel	ZD1	LL-34	DIODE TUNNEL	1
7.5V	Diode Tunnel	ZD2, ZD3	LL-34	DIODE TUNNEL	2