
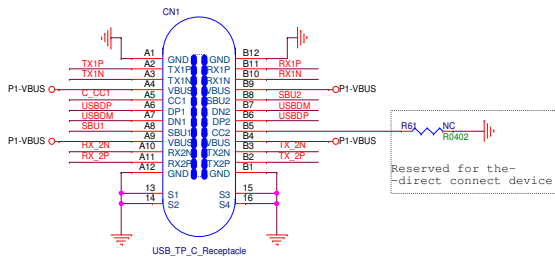


AG9311_MCQ_QFN48_TYPEC_HDMI_PD

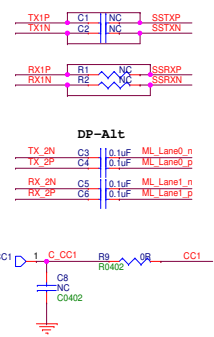
P01: Revision History P02: DP to HDMI P03: Type-C & Power	DATE	Version	Update Content	Page	Author
	2018.08.30	0.1	Preliminary	na	Nash Lee
	2018.09.20	0.1	MT7231 change to MT7232.	2	Nash Lee
	2018.10.02	0.1	R23 change part value, NC--> 22K.	2	Nash Lee
	2018.10.30	0.1	R69 Reserved for MT7232 EN pin.	2	Nash Lee
	2018.11.12	0.1	1. CE1 change to 150uF/16V. 2. F1 change to 1.5A/6V.	2	Nash Lee
	2018.11.22	0.2	1. USB Billboard DP/DM (R25/R26) connect to CN3 USB typeC- -for FW upgrade.	2/3	Nash Lee
	2018.11.26	0.2	Add R70/R71 for 1.2V power on timing.	2	Nash Lee
	2018.12.03	0.2	Update HDMI TMDs circuit and R14~R16,R18~R22 change to 0R.	2	Nash Lee
	2018.12.06	0.2	Add C111/C112/R178/R179 for MT7232.	2	Nash Lee
2019.02.21	1.0	1. Add BOOST and AUX switch circuit. 2. Add USB3.0 down stream port power switch circuit. 3. R112/R179/D3/R1/R2/C1/C2 -> NC, C32/C33 ->1uF/35V. 4. R178/R179 package size ->R0805. 5. Add power bead FB2. 6. Remove R30/R34/C15.	2/3	Nash Lee	

 ALGOITEK QQ1659747718 TEL 18520874087		No. 33-1, Sec2, Jiafeng 11th Rd., Zhubei City, Hsinchu County 30273, Taiwan	
Revision History			
Title			
Size	Document Number	Rev	
B	AG9311_MCQ_QFN48_CtoHDMI_PD	1.0	
Date: Wednesday, March 06, 2019		Sheet 1 of 3	

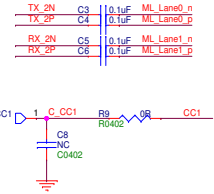
Type-C PD Dual Role



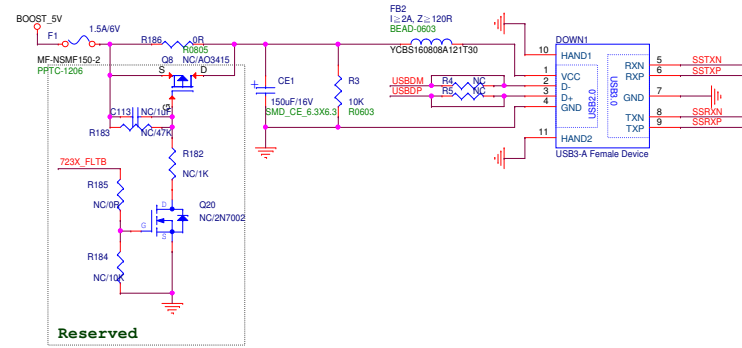
USB3.0



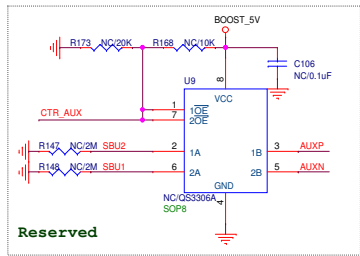
DP-Alt



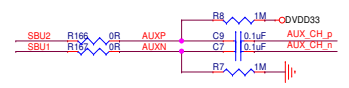
USB3.0 Downstream Port



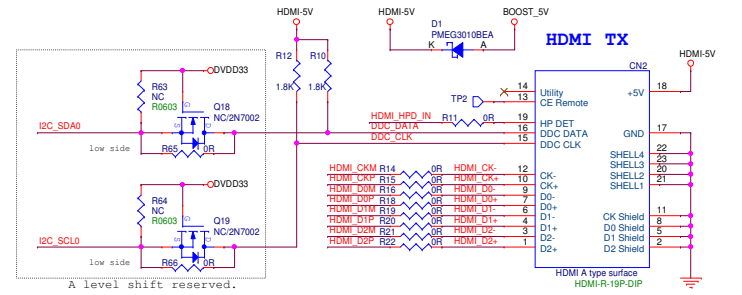
Reserved



Reserved

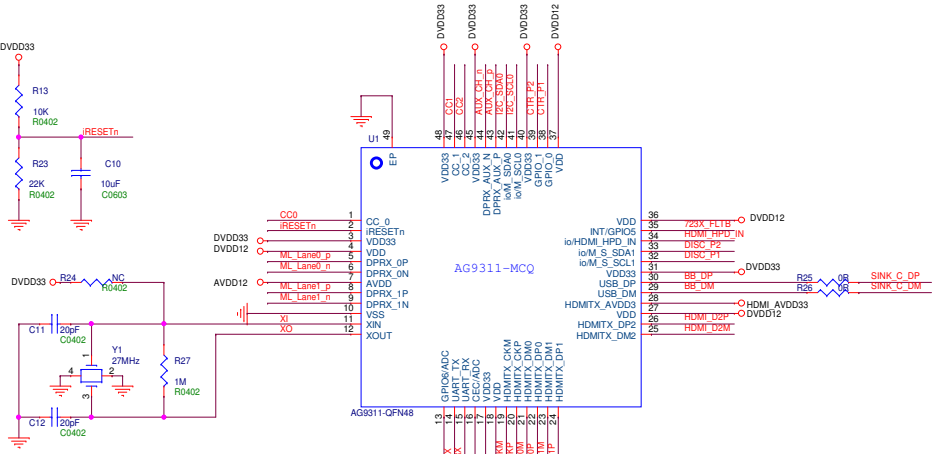


Reserved



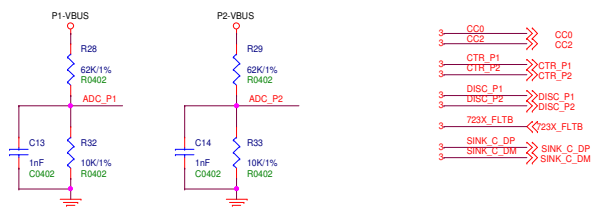
A level shift reserved.

HDMI_HPD_IN R17 NC R0402



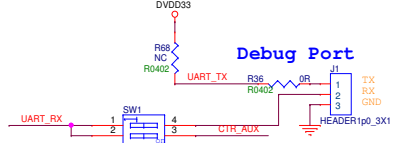
IC Ver.	BOM	R24	R27
A01		51K	200K
B02/C03		NC	1M

Voltage Sense



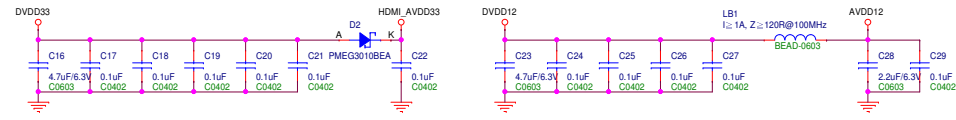
Please close to AG9311

Debug Port

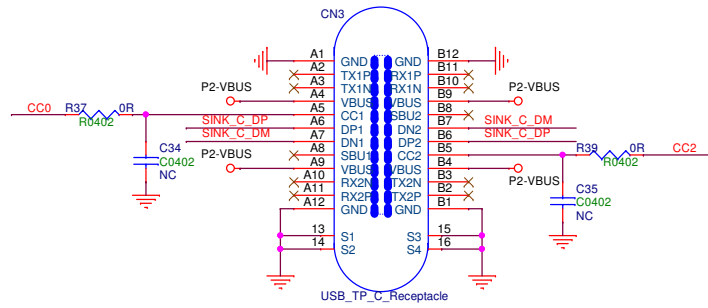


QQ1659747718 TEL18520874087

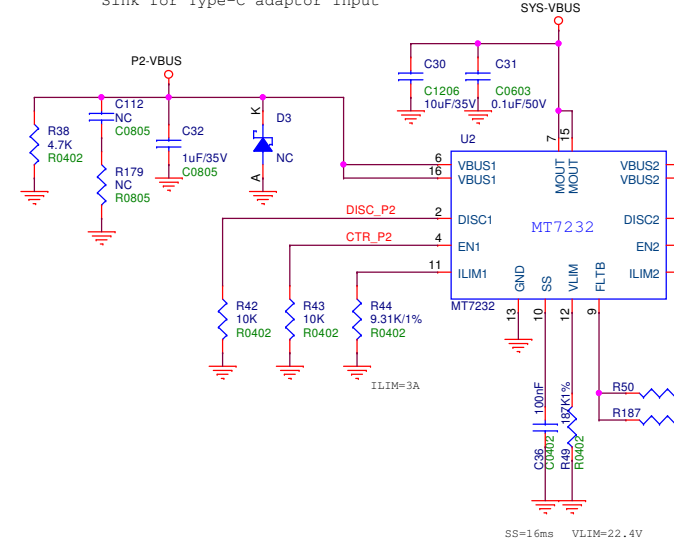
CH1(UART): Default On
CH2(AUX): Default Off



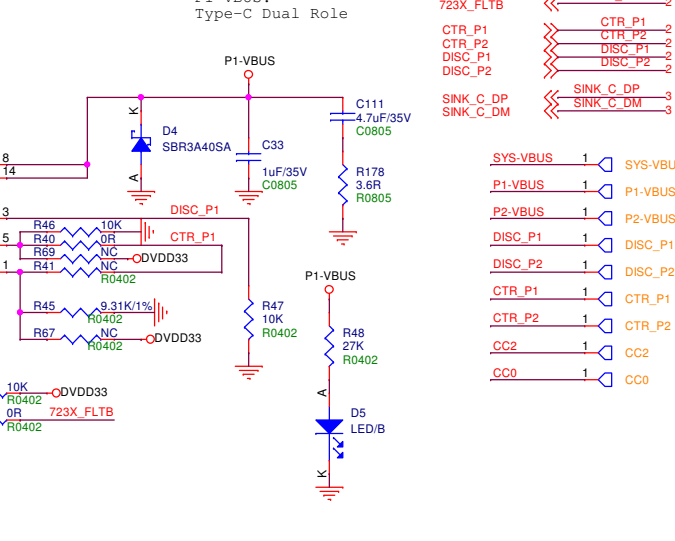
Power Adaptor Input



P2-VBUS:
Sink for Type-C adaptor Input



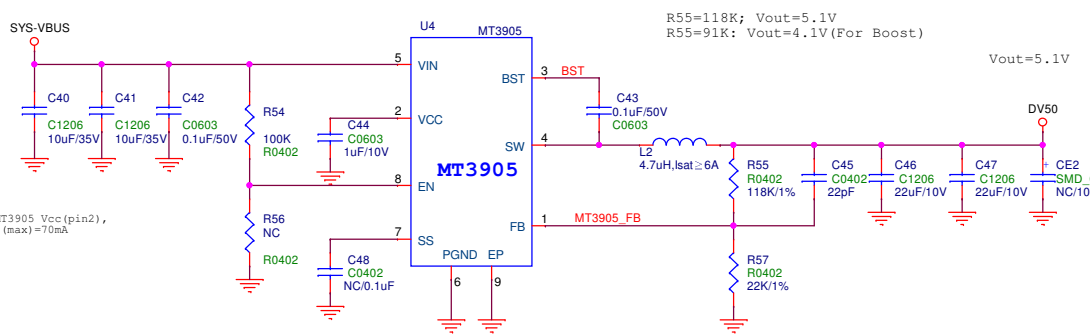
P1-VBUS:
Type-C Dual Role



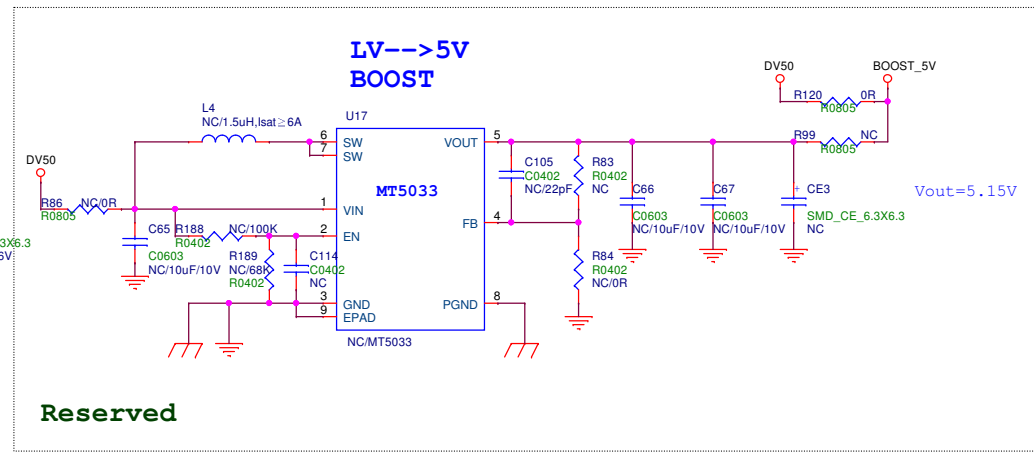
- CC0 <--> CC0
- CC2 <--> CC2
- 723X_FLTB <--> 723X_FLTB
- CTR_P1 <--> CTR_P1
- CTR_P2 <--> CTR_P2
- DISC_P1 <--> DISC_P1
- DISC_P2 <--> DISC_P2
- SINK_C_DP <--> SINK_C_DP
- SINK_C_DM <--> SINK_C_DM

- 1 SYS-VBUS
- 1 P1-VBUS
- 1 P2-VBUS
- 1 DISC_P1
- 1 DISC_P2
- 1 CTR_P1
- 1 CTR_P2
- 1 CC2
- 1 CC0

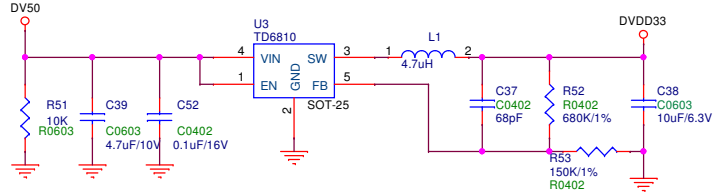
HV-->5V



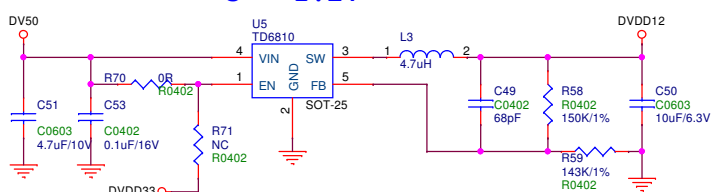
LV-->5V BOOST



5-->3.3V



5-->1.2V



BUCK ONLY:
R120=0R, R99=NC, R86=NC, R51=10K, R3=10K, C48=NC

BOOST: QQ1659747718 TEL18520874087
R120=NC, R99=0R, R86=0R, R51=1K, R3=1K, C48=0.1uF

RIGOLTEK

No. 33-1, Sec2, Jiafeng 11th Rd., Zhubei City, Hsinchu County 30273, Taiwan

Title: **Type-C & Power**

Size A3 Document Number: **AG9311_MCQ_QFN48_CtoHDMI_PD** Rev 1.0

Date: Wednesday, March 06, 2019 Sheet 3 of 3