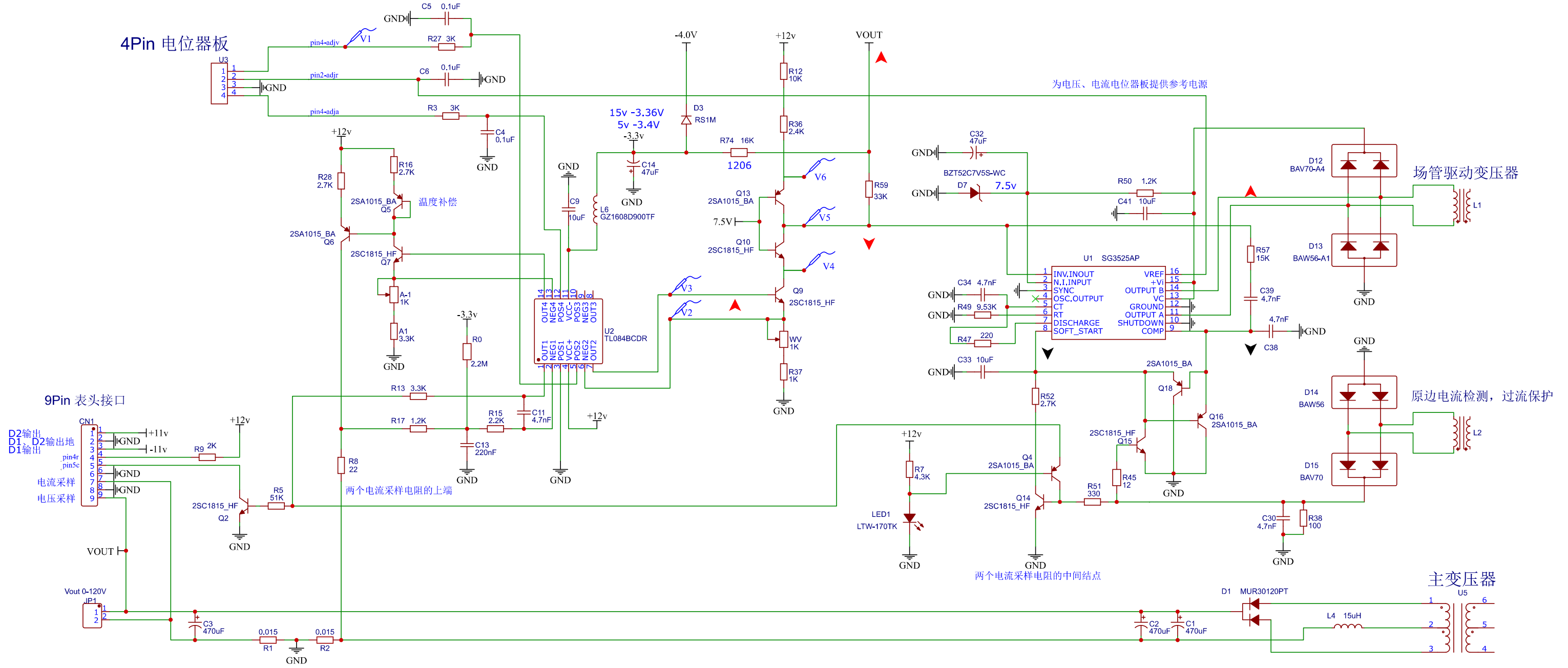


Vout = 5V	V1=0.5V V2=0.5V V3=1.0V V4=7.0V V5=7.55V V6=8.15V	Vout = 15V	V1=1.1V V2=1.1V V3=1.7V V4=7.0V V5=7.55V V6=8.15V
Vout = 10V	V1=0.8V V2=0.8V V3=1.4V V4=7.0V V5=7.55V V6=8.15V	Vout = 20V	V1=1.4V V2=1.4V V3=2.0V V4=7.0V V5=7.55V V6=8.15V Vr31=12.2V



为电压、电流电位器板提供参考电源

温度补偿

两个电流采样电阻的上端

两个电流采样电阻的中间结点

场管驱动变压器

原边电流检测，过流保护

主变压器

9Pin 表头接口

D2输出
D1、D2输出地
D1输出
pin4r
pin5c
电流采样
电压采样

4Pin 电位器板

LED1
LTW-170TK

C30
4.7nF

R38
100

D15
BAV70

D14
BAW56

R57
15K

C39
4.7nF

D13
BAW56-A1

D12
BAV70-A4

R50
1.2K

C41
10uF

BZT52C7V5S-WC

D7

C32
47uF

R36
2.4K

R12
10K

R59
33K

V6

V5

V4

V3

V2

V1

1206

R74
16K

C14
47uF

L6
GZ1608D900TF

C9
10uF

2SC1815_HF

Q10

2SC1815_HF

Q13

2SA1015_BA

Q5

2SA1015_BA

Q6

2SC1815_HF

Q7

2SC1815_HF

Q2

2SC1815_HF

Q4

2SA1015_BA

Q14

2SC1815_HF

Q15

2SC1815_HF

Q16

2SA1015_BA

Q18

2SA1015_BA

Q1

2SC1815_HF

Q3

2SC1815_HF

Q9

2SC1815_HF

Q17

2SC1815_HF

Q19

2SC1815_HF

Q20

2SC1815_HF

Q21

2SC1815_HF

Q22

2SC1815_HF

Q23

2SC1815_HF

Q24

2SC1815_HF

Q25

2SC1815_HF

Q26

2SC1815_HF

Q27

2SC1815_HF

Q28

2SC1815_HF

Q29

2SC1815_HF

Q30

2SC1815_HF

Q31

2SC1815_HF

Q32

2SC1815_HF

Q33

2SC1815_HF

Q34

2SC1815_HF

Q35

2SC1815_HF

Q36

2SC1815_HF

Q37

2SC1815_HF

Q38

2SC1815_HF

Q39

2SC1815_HF

Q40

2SC1815_HF

Q41

2SC1815_HF

Q42

2SC1815_HF

Q43

2SC1815_HF

Q44

2SC1815_HF

Q45

2SC1815_HF

Q46

2SC1815_HF

Q47

2SC1815_HF

Q48

2SC1815_HF

Q49

2SC1815_HF

Q50

2SC1815_HF

Q51

2SC1815_HF

Q52

2SC1815_HF

Q53

2SC1815_HF

Q54

2SC1815_HF

Q55

2SC1815_HF

Q56

2SC1815_HF

Q57

2SC1815_HF

Q58

2SC1815_HF

Q59

2SC1815_HF

Q60

2SC1815_HF

Q61

2SC1815_HF

Q62

2SC1815_HF

Q63

2SC1815_HF

Q64

2SC1815_HF

Q65

2SC1815_HF

Q66

2SC1815_HF

Q67

2SC1815_HF

Q68

2SC1815_HF

Q69

2SC1815_HF

Q70

2SC1815_HF

Q71

2SC1815_HF

Q72

2SC1815_HF

Q73

2SC1815_HF

Q74

2SC1815_HF

Q75

2SC1815_HF

Q76

2SC1815_HF

Q77

2SC1815_HF

Q78

2SC1815_HF

Q79

2SC1815_HF

Q80

2SC1815_HF

Q81

2SC1815_HF

Q82

2SC1815_HF

Q83

2SC1815_HF

Q84

2SC1815_HF

Q85

2SC1815_HF

Q86

2SC1815_HF

Q87

2SC1815_HF

Q88

2SC1815_HF

Q89

2SC1815_HF

Q90

2SC1815_HF

Q91

2SC1815_HF

Q92

2SC1815_HF

Q93

2SC1815_HF

Q94

2SC1815_HF

Q95

2SC1815_HF

Q96

2SC1815_HF

Q97

2SC1815_HF

Q98

2SC1815_HF

Q99

2SC1815_HF

Q100

2SC1815_HF