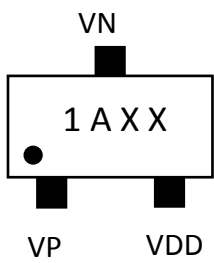
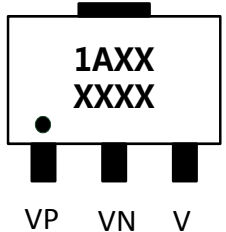
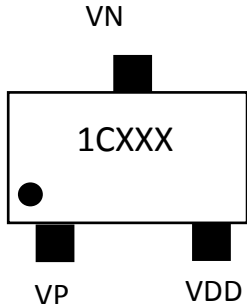
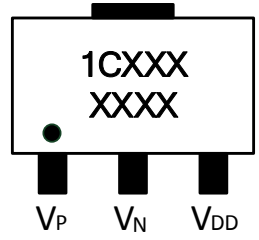


# 數能科技產品規格一覽表

產品型號	輸出電流	電源電壓範圍	產品特色	封裝型式	Perreel	應用
NU501(1A15) ~ NU501(1A60)	15mA / 18mA / 20mA / 25mA / 30mA / 40mA / 50mA / 60mA	1.6~12V	1.NO external current setting resistor is needed. 2.PWM dimming by VDD pin. 3.2uS / 2uS current rising/falling time. 4.Cascade-able for higher voltage applications	SOT23-3  SOT89-3(60mA) 	3K	1.室內/外照明 2.情境照明應用 3.汽車照明應用 4.背光應用 5.字燈、燈條
NU501(1C020) ~ NU501(1C300)	20mA / 30mA / 40mA / 50mA / 60mA / 100mA / 120mA / 150mA / 240mA / 300mA	1.8~15V	1.NO external current setting resistor is needed. 2.PWM dimming by VDD pin. 3.1uS / 1uS current rising/falling time. 4. 135°C~160°C junction temperature current ramp down thermal protect.	SOT23-3  SOT89-3(≥100mA) 	3K	1.室內/外照明 2.情境照明應用 3.汽車照明應用 4.背光應用 5.字燈、燈條

302新竹縣竹北市嘉豐六路一段96號3樓

電話：03-658-9936

傳真：03-550-2805

統一編號:28894424

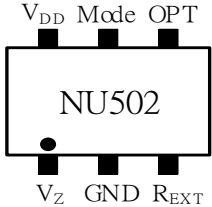
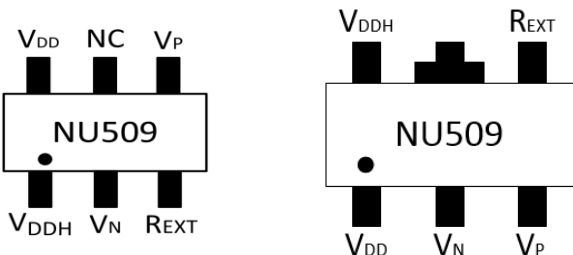
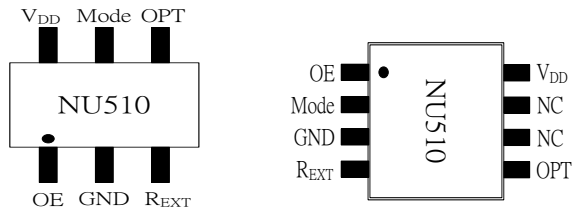
3F, No. 96, Sec. 1, Jia- Feng 6th Road, Jhubei City,

Hsin-Chu County 302, Taiwan

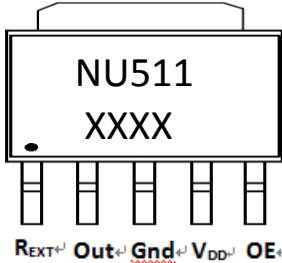

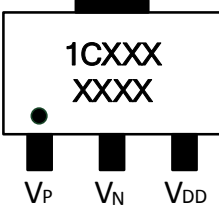
TEL :+886-3-658-9936

FAX :+886-3-550-2805

# 數能科技產品規格一覽表

產品型號	輸出電流	電源電壓範圍	產品特色	封裝型式	Perreel	應用
NU502ST	5mA ~ 80mA	1.6V~18V	1. Minimum 0.6V(80mA) dropout voltage 2. Built in 15V zener diode for bias and high voltage protection. 3. PWM dimming by VDD pin. 4. 125°C~160°C junction temperature current ramp down thermal protect.	SOT23-6 	3K	1. 室內/外照明 2. 情境照明應用 3. 汽車照明應用 4. 背光應用 5. 埋地燈
NU509ST NU509S8	5mA ~ 200mA	1.8V~15V	1. 1uS / 1uS current rising/falling time. 2. PWM dimming by VDD pin. 3. 135°C~160°C junction temperature current ramp down thermal protect.	SOT23-6      SOT89-5 	3K	2018/DEC
NU510ST NU510SO NU510MS	10mA ~ 160mA	1.6~16V	1. Minimum 0.4V(80mA) dropout voltage. 2. 160°C half power thermal protect. 3. Cascade-able for higher voltage drop applications.	SOT23-6      SOP8/MSOP8 	3K	1. 室內/外照明 2. 情境照明應用 3. 汽車照明應用 4. 背光應用

# 數能科技產品規格一覽表

產品型號	輸出電流	電源電壓範圍	產品特色	封裝型式	Perreel	應用
NU511T2	100mA ~ 1200mA	3~12V	1.1MHz OE PWM dimming support; 400Hz Vdd dimming support. 2.low output voltage dropout;0.2V@150mA;0.6V@1.2A 3.160°C half power thermal protect.	TO252  R <sub>EXT</sub> Out Gnd V <sub>DD</sub> OE	3K	1.室內/外照明 2.情境照明應用 3.汽車照明應用 4.埋地燈
NU512ES	50mA ~ 0.5A	3~12V	1.OE pulse width:120ns. 2.Schmitt trigger input. 3.160°C half power thermal protect. 4.8KV output channel ESD protection.	ESOP-8  VDD OE NC OUT0 GND REXT NC OUT1	3K	1.室內/外照明 2.情境照明應用 3.汽車照明應用 4.背光應用 5.埋地燈
NU520S8	150mA	4-60V	1.NO external current setting resistor is needed. 2.PWM dimming by VDD pin. 3.3uS / uS current rising/falling time. 4. 135°C~160°C junction temperature current ramp down thermal protect.	SOT89-3  V <sub>P</sub> V <sub>N</sub> V <sub>DD</sub>		2019/Q1 汽車照明應用

302新竹縣竹北市嘉豐六路一段96號3樓

電話：03-658-9936

傳真：03-550-2805

統一編號:28894424

3F, No. 96, Sec. 1, Jia-Feng 6th Road, Jhubei City,

Hsin-Chu County 302, Taiwan

TEL :+886-3-658-9936

FAX :+886-3-550-2805