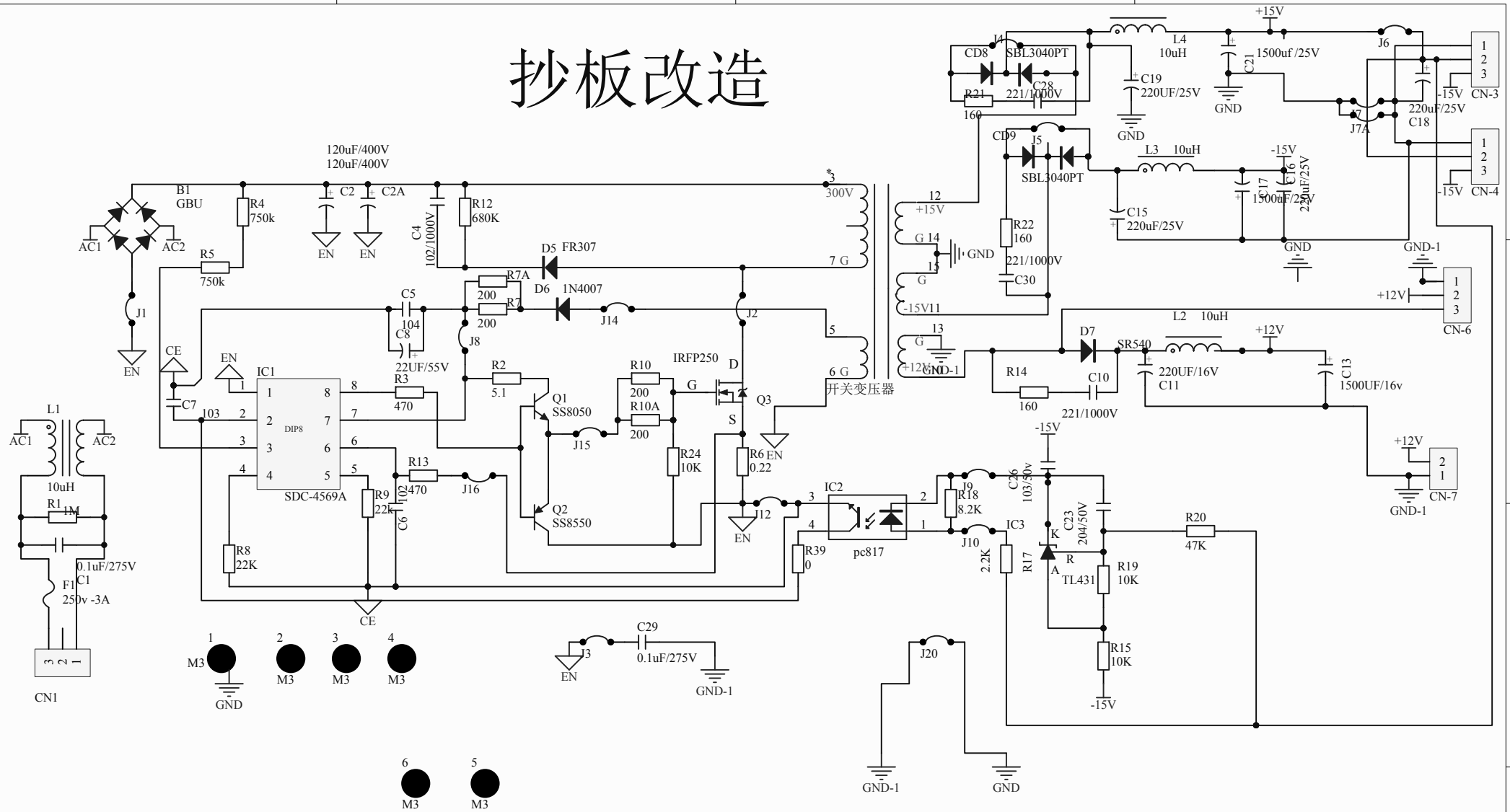


# 抄板改造



Title		
Size	Number	Revision
A4		
Date:	2018-11-25	Sheet of
File:	D:\热转印测试-再次修改电源.SchDoc\Drawn By:	