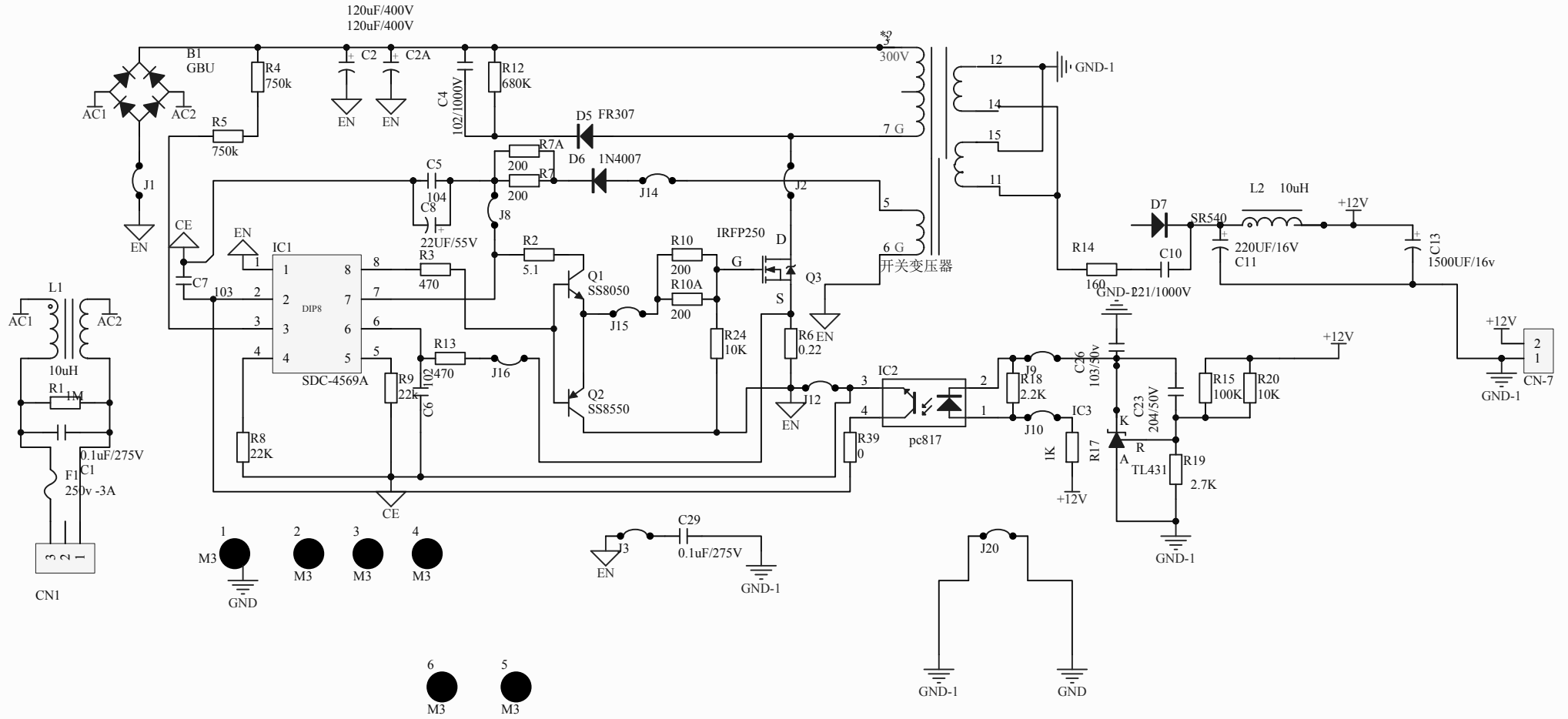


原机抄板



Title		
Size	Number	Revision
A4		
Date:	2018-11-25	Sheet of
File:	D:\热转印测试\原机抄板\电源.SchDoc Drawn By:	