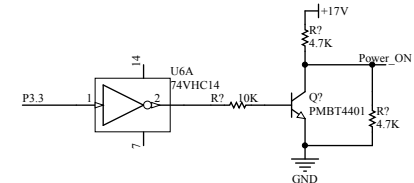
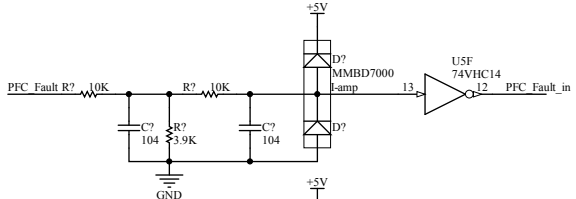
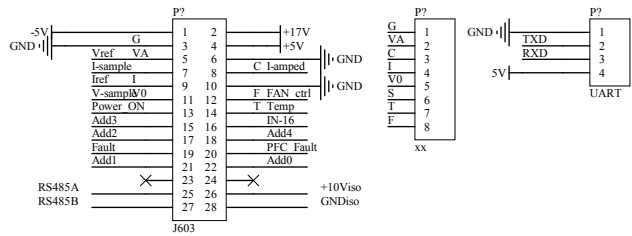
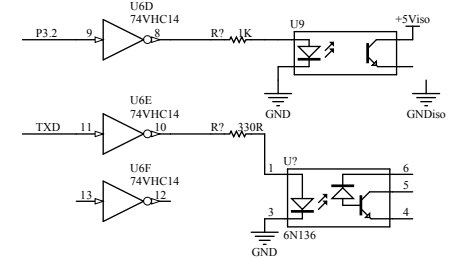
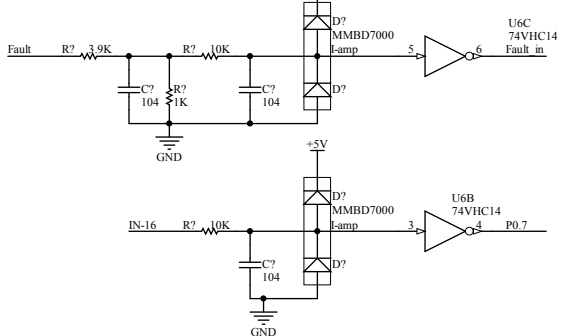


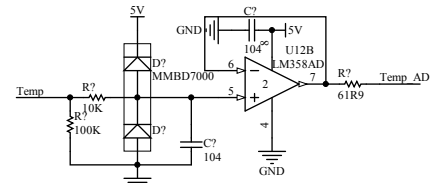
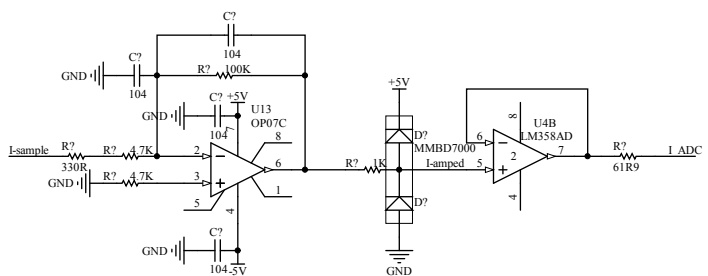
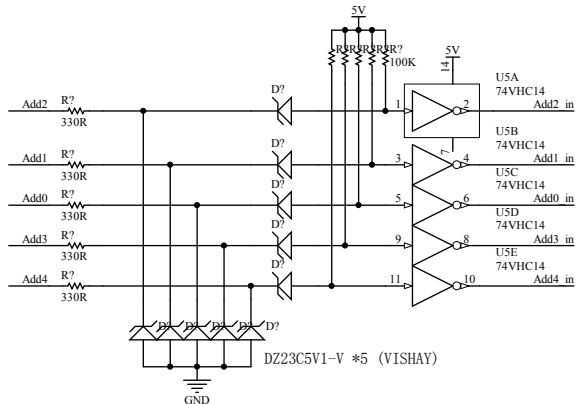
A



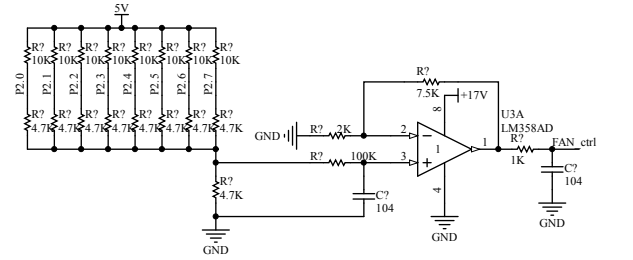
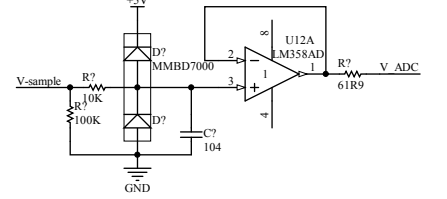
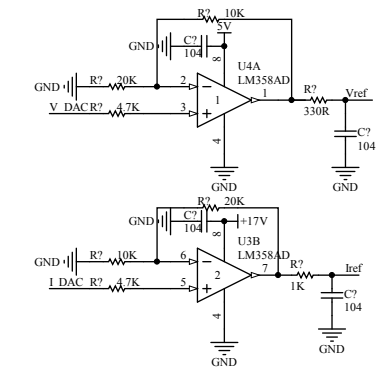
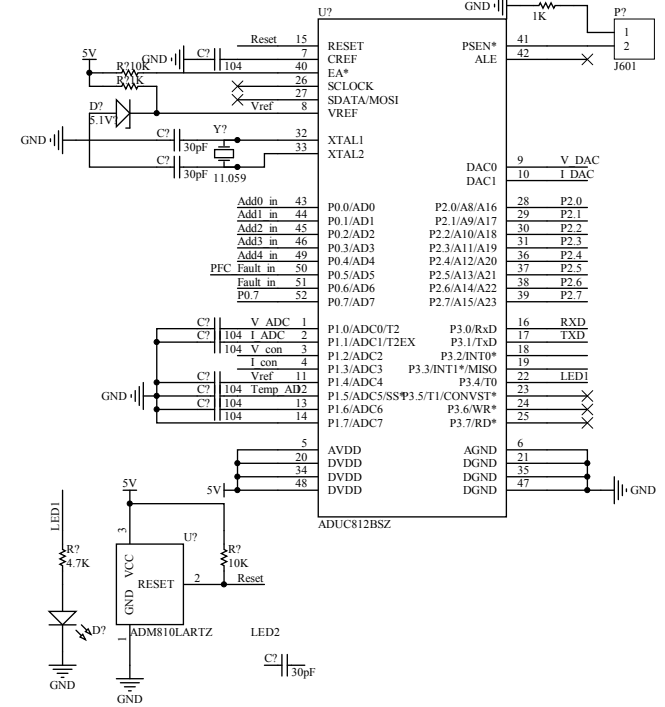
B



C



D



Title		
Size	Number	Revision
A3		
Date:	2018/8/24	Sheet of
File:	F:\Design_UHD4825_MCU.SchDoc	Drawn By: