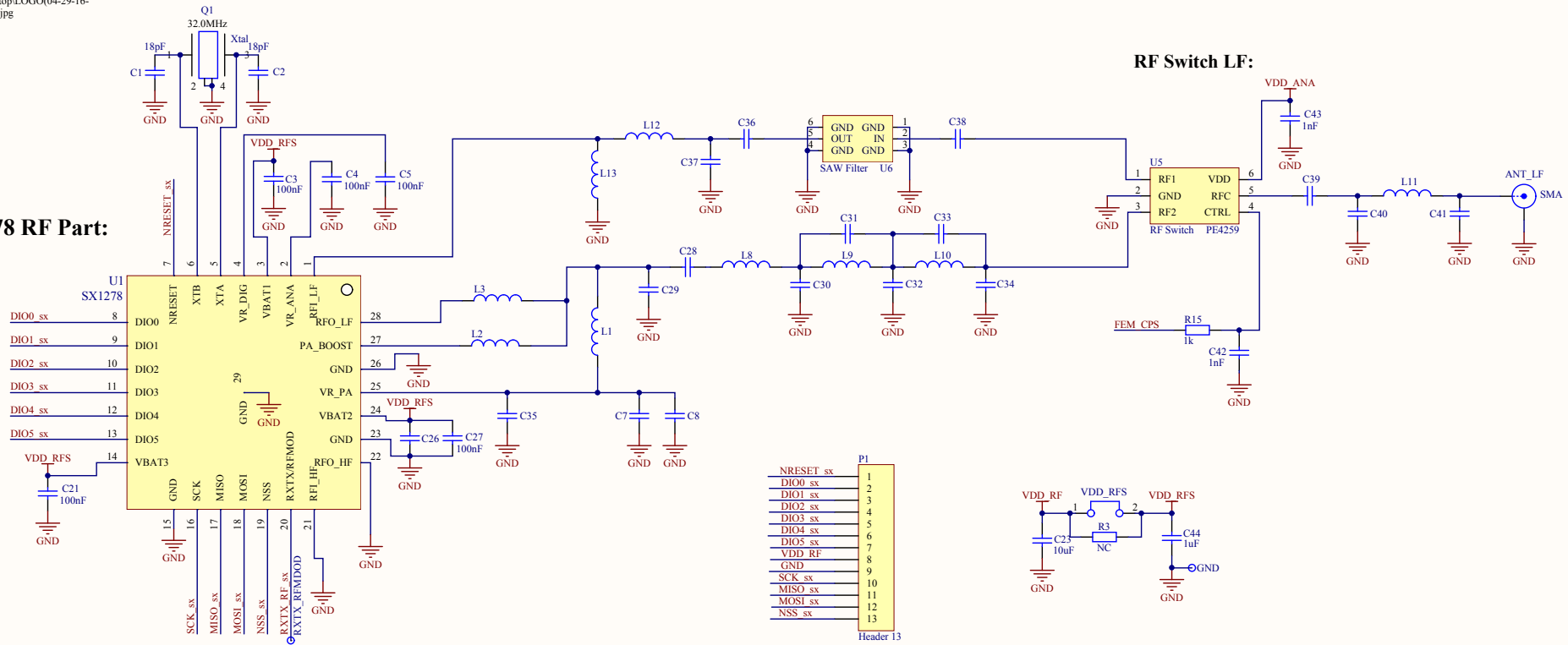


Cannot open file  
 C:\Users\Joyje\Desktop\LOGO(04-29-16-33(05-06-16-02-52).jpg

**SX1278 RF Part:**



**RF Switch LF:**



Title <b>SX1278 Module</b>		
Size A3	Number <b>PCB_SX1278 - HZBLZX</b>	Revision <b>V1a</b>
Date: 2015/5/29	Sheet of 1/1	
File: D:\Projects\1\SX1276_e268v01a.SchDoc	Drawn By: zjj	