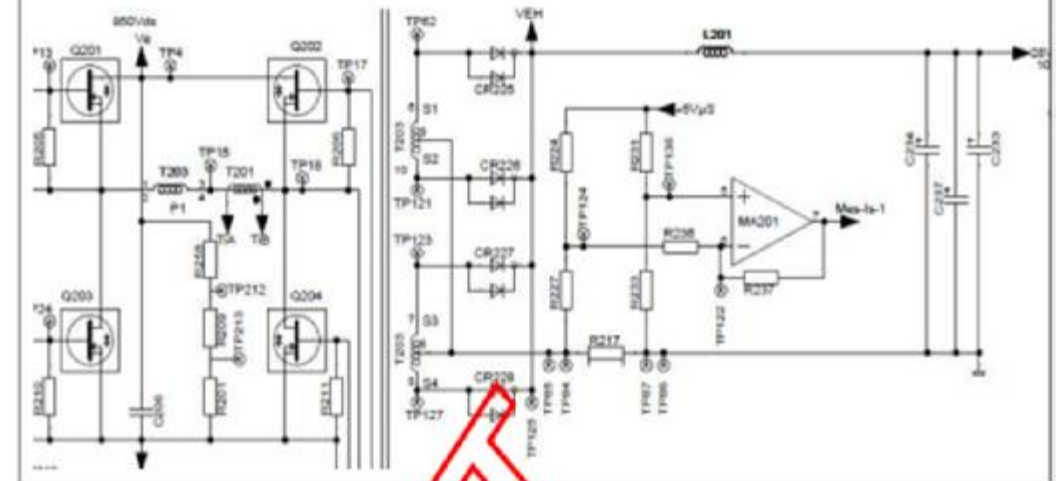


Creepage distance	8 mm (primary / secondary) with ferrite
Switching frequency:	Primary 100 kHz / secondary 200 kHz
Power	1.5kW
Duty cycle:	45%
Current primary winding:	7.4Aeff
Current per secondary winding:	18.1Aeff
Primary voltage	225V to 450V
secondary voltage	28V
Dielectric insulation	Primary / Secondary = 3kVac
Leakage inductance between winding	<1μH

Full Bridge converter



Ferrite	PQ35/35 (TP4A ; DMR44 or equivalent)
Ratio primary/secondary	14sp / 2sp = 7
	40°c with ambient temperature 105°c with water cooling at 65°c With mechanical cooling on Water cooling (example :)