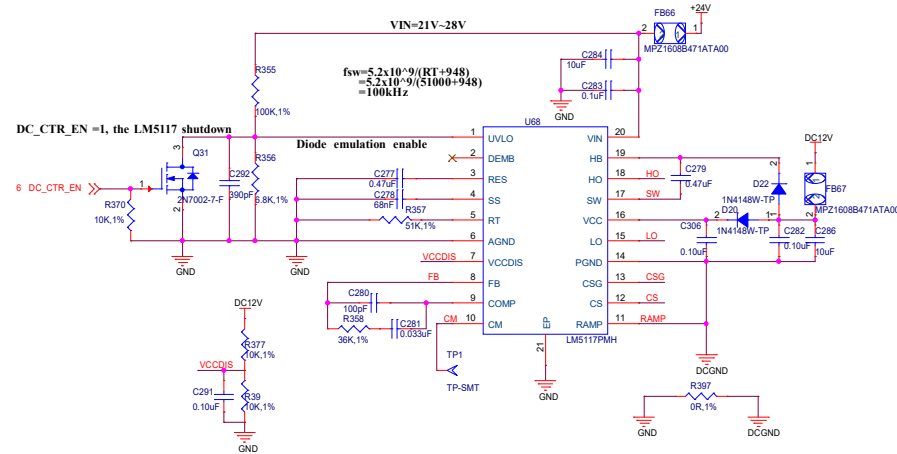


BUCK DCDC CONTROL



VCCDIS > 1.25V, Disables the internal VCC regulator
VCCDIS float, enables the internal VCC regulator

DCDC OUTPUT

