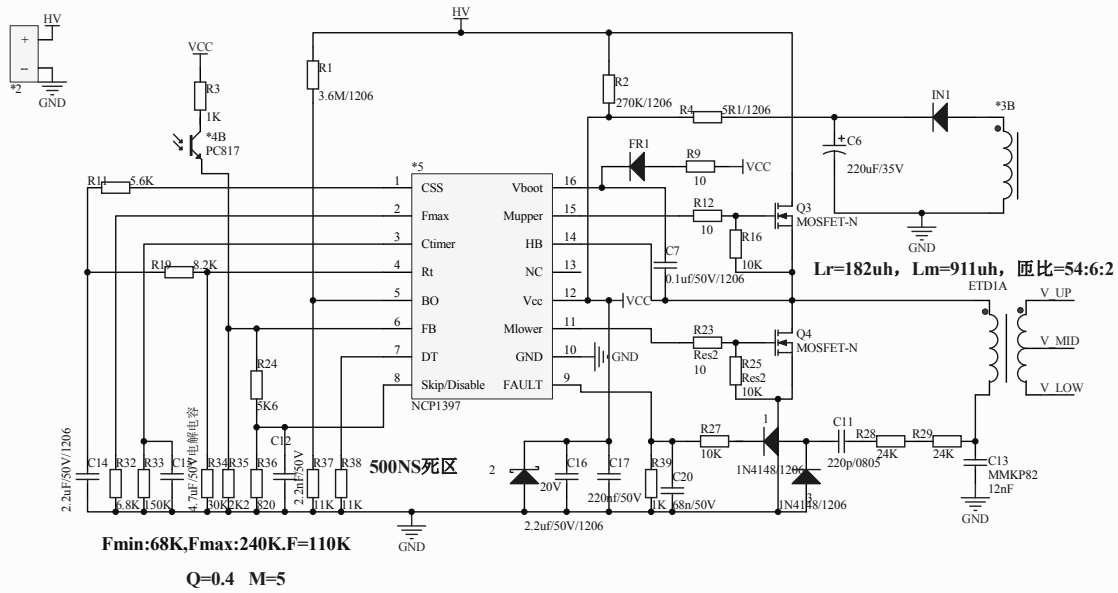
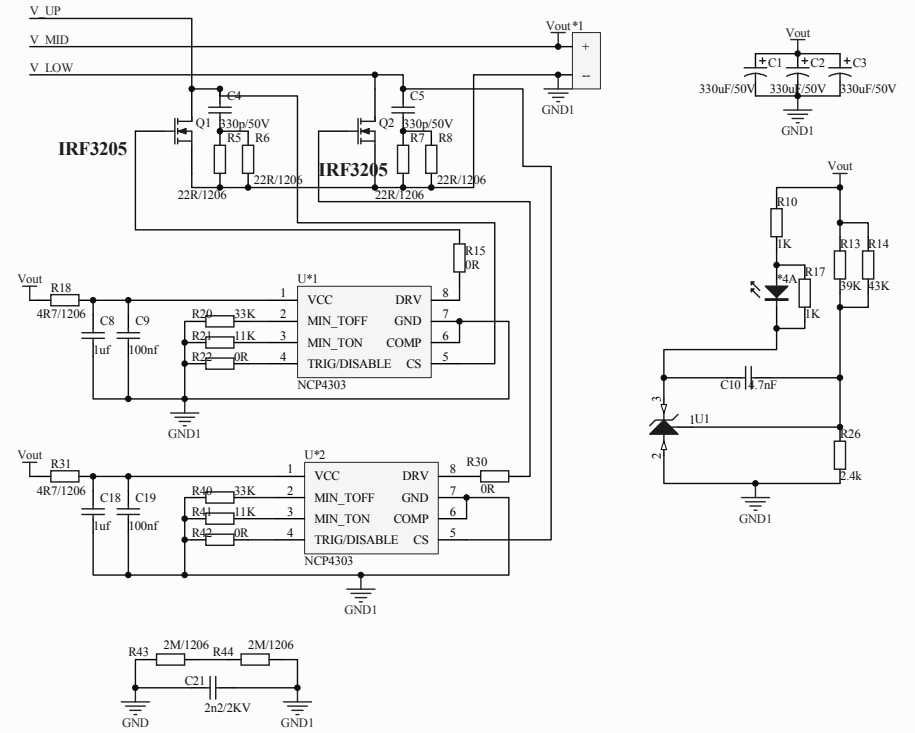


LLC谐振电路



同步整流电路



Title		
Size	Number	Revision
A3		
Date:	2017/11/28	Sheet of
File:	E:\LLC_DSPIC\LLC1.SchDoc	Drawn By: