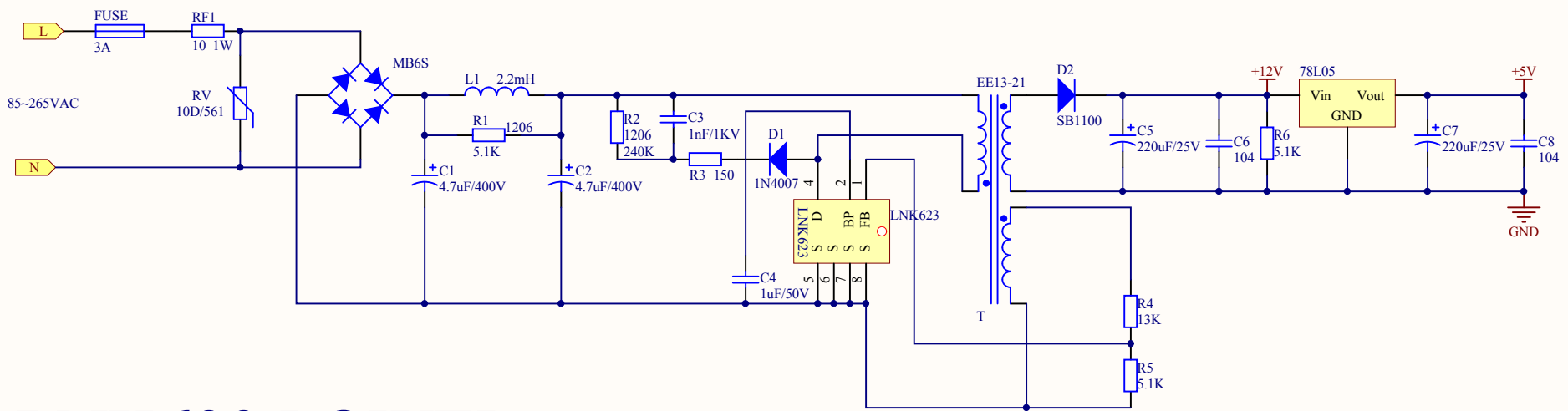


4.电气性能:

NO	测试项目	测试端子	标准	测试条件
4-1	电感量	L4-5	2.0mH±5%	2971B 1KHZ, 1V
4-2	抗电强度	5-10 2、5、10 - CORE	AC 2.5KV/1min.2S	MN01A 或 等同

NO	绕组	线径	圈数	外包胶带	圈数
N1	5-NC	QA-1 0.14*2P	23Ts	0.06*8	2
N2	5-4	QA-1 0.15	125Ts	0.06*8	2
N3	2-1	QA-1 0.15*4P	10Ts	0.06*8	2
N2	10-8	TEX-E 0.40	20Ts	0.06*8	2



# LNK623 POWER

Title		
Size A4	Number	Revision
Date:	2017/11/3	Sheet of
File:	E:\ykc2017\LNK625\LNK623.SchDoc	Drawn By:

# Bill of Materials

Bill of Materials For Project [Free Documents] (No PCB Document Selected)

Source Data From: Free Documents  
Project: Free Documents  
Variant: None

Creation Date: 2017/11/3 15:30:56  
Print Date: 43042 43042.64659

#Column Name	#Column Name Error	#Column Name Error	#Column Name Error:Designator	#Column Name Error:Description	#Column Name Error:Qu

0

Approved	Notes

