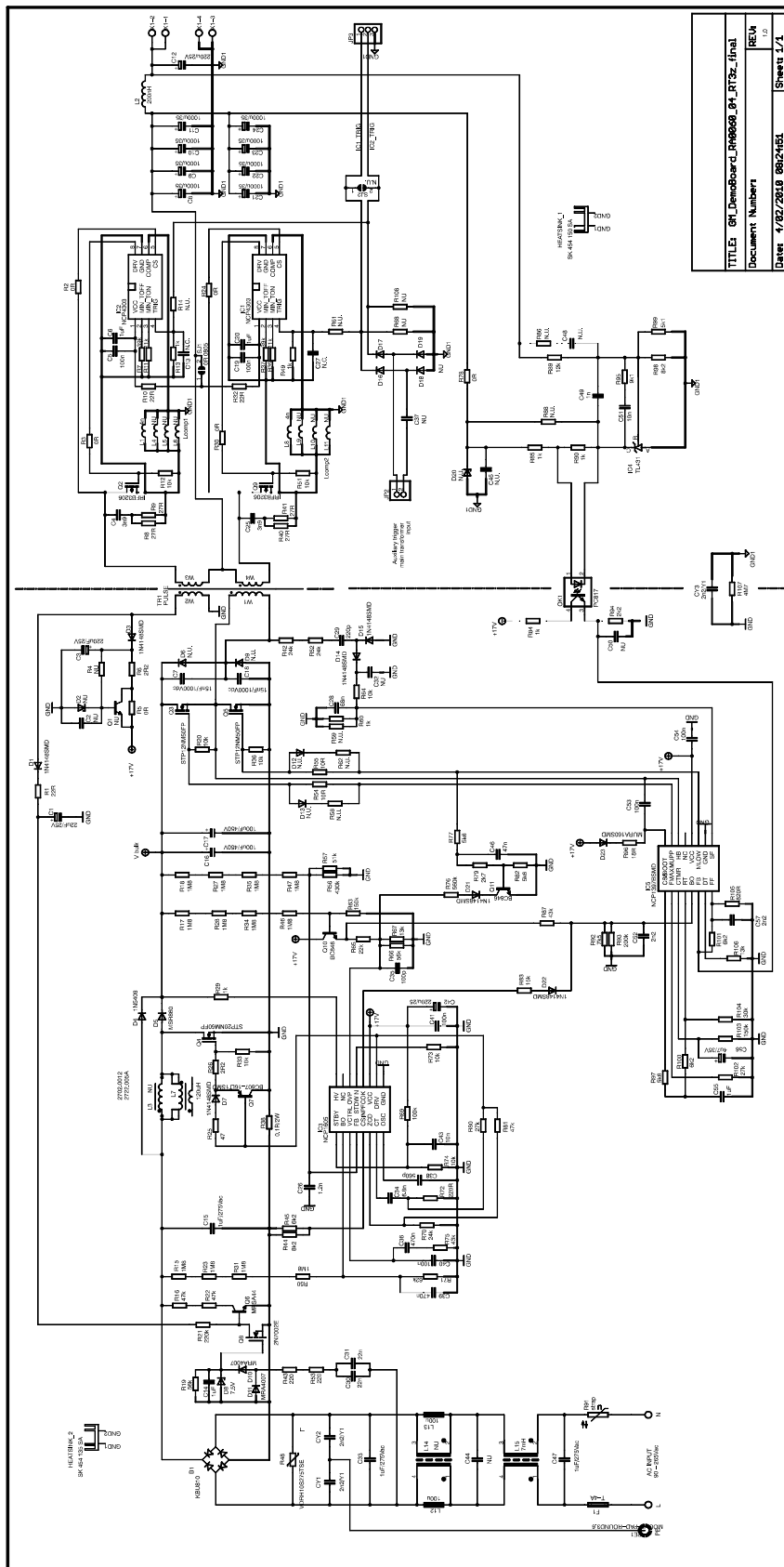


AND8460/D



TITLE: GR_Demoboard_Rev090_04_RT3z_final	REV: 1.0
Document Number	Sheet 1/1
Date: 4/02/2010 08:24:53	

Figure 58. Demoboard Schematic Including PCB Options