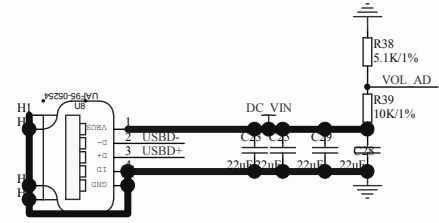
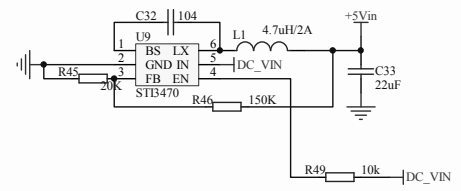
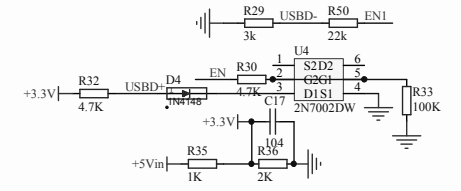
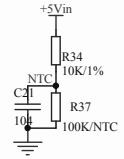
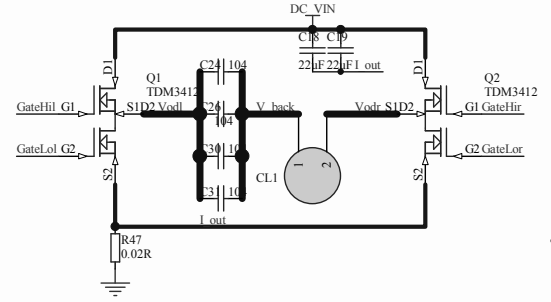
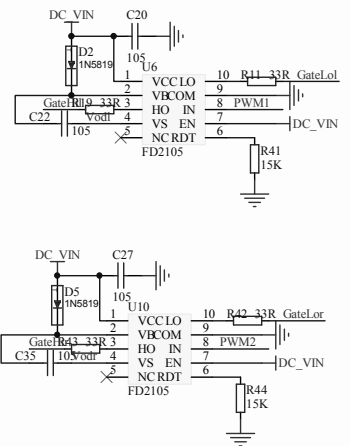
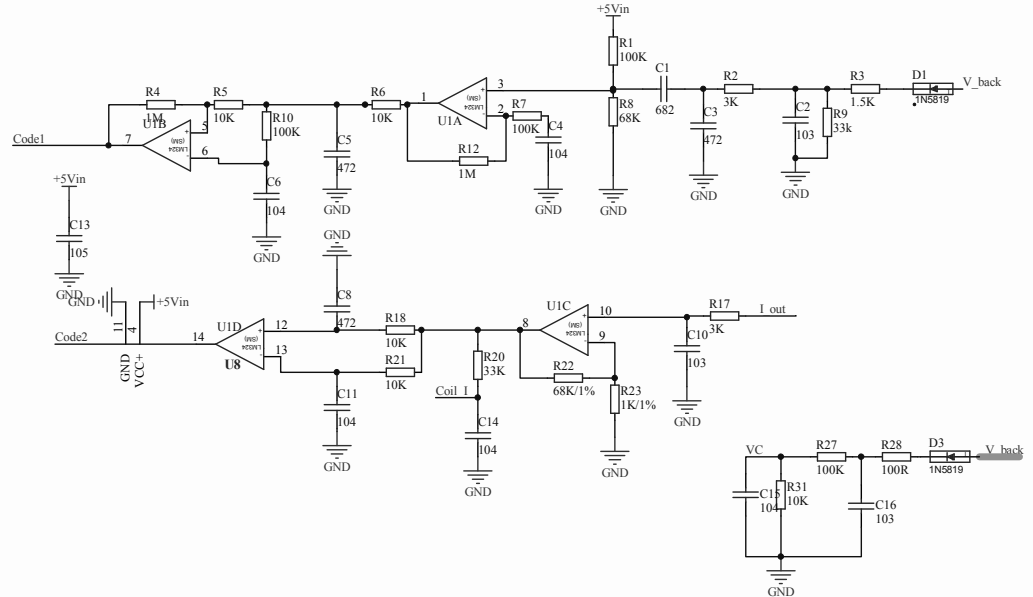
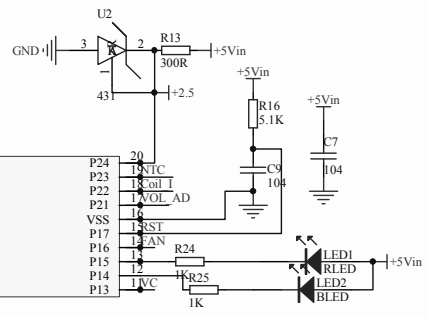
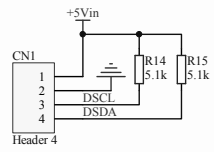


# MCU芯片



Title		
Size	Number	Revision
A3		
Date:	2017-5-20	Sheet of
File:	E:\芯磁微\CV90318HQCITX-DEMO\芯磁微By:	