

A

A

B

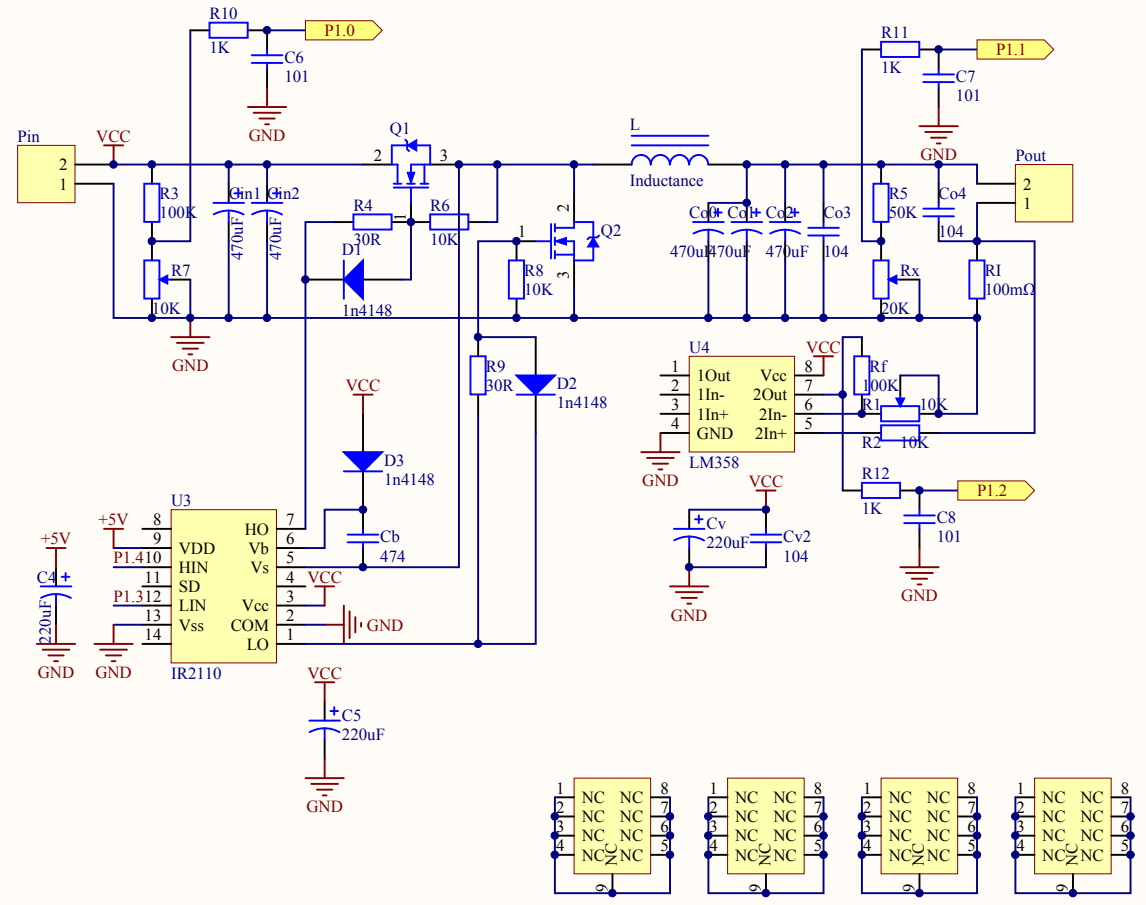
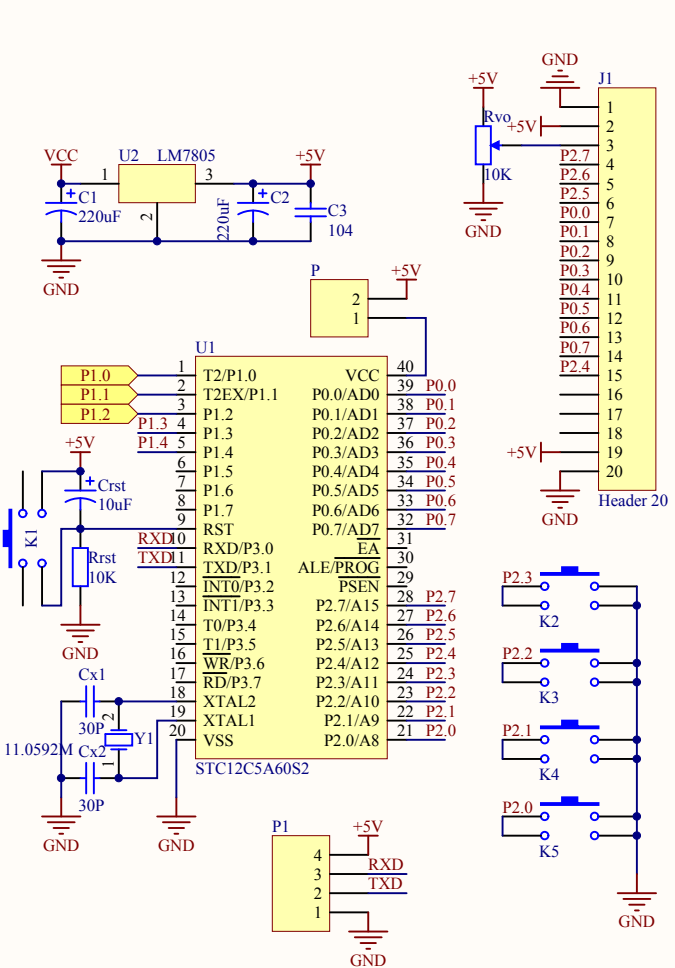
B

C

C

D

D



Title		
Size	Number	Revision
A4		
Date:	2017/6/13	Sheet of
File:	E:\ \	MCU Power.SchDoc Drawn By: