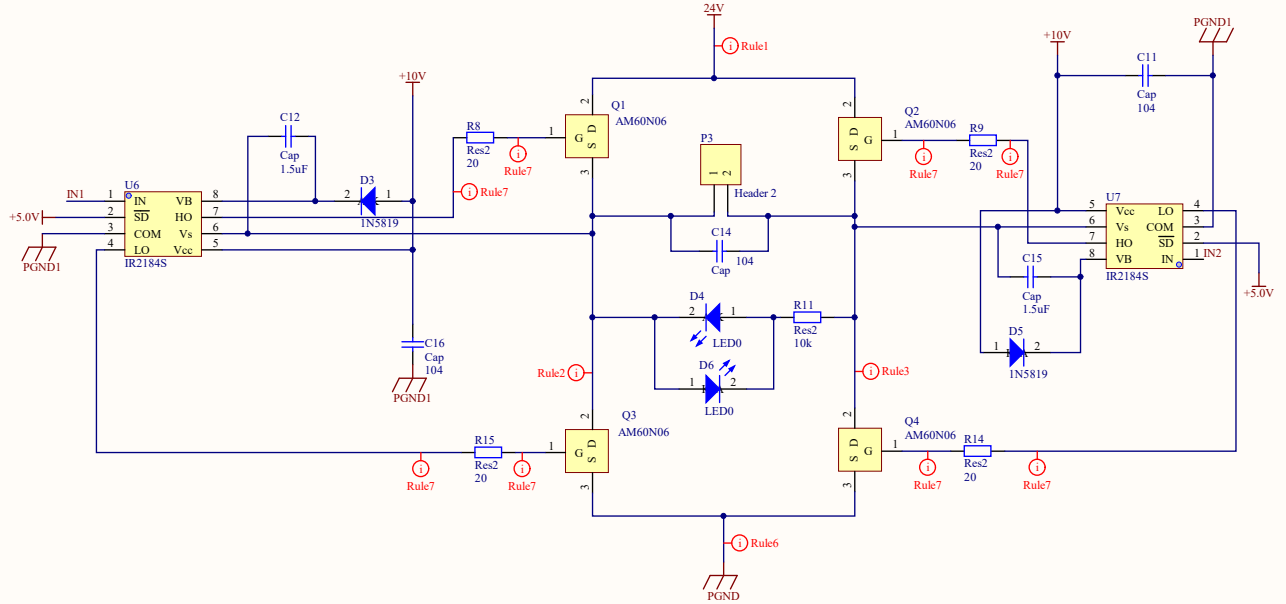
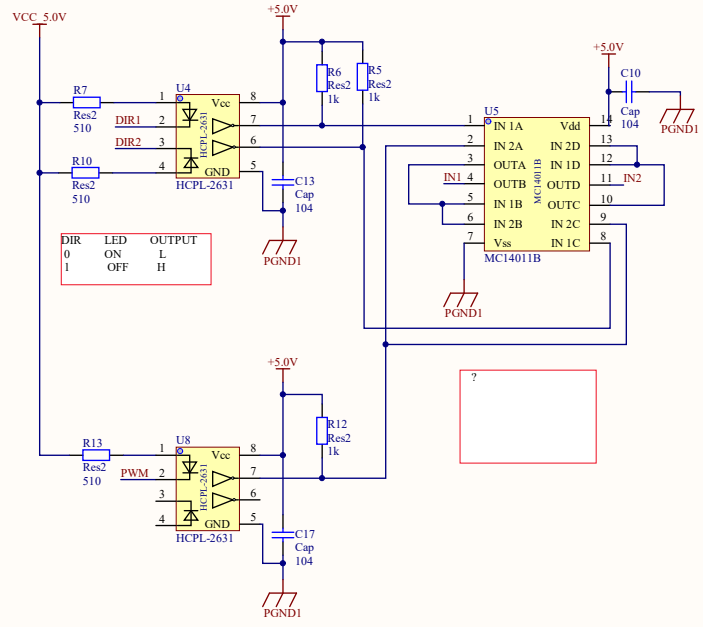


$$V_{out} = 1.25 \cdot (1 + R2/R4)$$



Title		
MOTOR DRIVING BOARD		
Size	Number	Revision
A3		V4.0
Date:	2017/5/29	Sheet of
File:	C:\Users\MainBoard\SchDoc	Drawn By: