

# Package Information

## Tape and Reel and PCB Assembly Information

### Tape and Reel Ordering Information

Power Integrations makes selected surface-mount parts available in tape and reel form for use with automatic pick-and-place equipment. Tape and reel specifications meet or exceed industry standard specification EIA-481.

### Ordering Information

Parts available in tape and reel form can be ordered by placing a tape and reel ordering suffix after the base part number. The ordering suffix is TL.

<b>Base Part #</b>	<b>Tape and Reel Suffix</b>
TNY264G	-TL

Please contact the factory for other options. Minimum order size is 1 reel per line item, and all orders will be in multiples of full reel quantities. The quantity per reel for each package type is shown in Table 1. Power Integrations normal terms and conditions apply.

### Electrical Specifications

Parts are subjected to the Power Integrations standard test flow, after which the parts are loaded into the tape cavities and sealed with a cover tape using standard anti-static handling procedures. The tape and cover are constructed of conductive modified polystyrene, providing a surface resistivity of  $\leq 10^6 \Omega/\text{square}$ . The reel is made of polystyrene with a topical anti-static coating, providing a surface resistivity of  $\leq 10^{11} \Omega/\text{square}$ .

Package	Tape		Reel DIA	Reel QTY
	Width (W)	Pitch (P)		
SMD-8	16 mm	12 mm	330 mm	1000
TO-263	24 mm	16 mm	330 mm	750
SO-8* / SO-8C	12 mm	8 mm	330 mm	2500
SOT-23-6	8 mm	8 mm	330 mm	10000
eSOP-12B	24 mm	16 mm	330 mm	1000
eSOP-R16B	24 mm	16 mm	330 mm	1000

Table 1. Primary Tape & Reel Dimensions and Reel Quantities.  
(\*Identical to SOP8)

### Physical Specifications

Physical specifications of the tape, cover, and reel are governed by EIA-481. Physical dimensions of the tapes are given in Figure 2 and Table 2, and physical dimensions of the reels are given in Figure 3 and Table 3.

### Packaging for Shipment

Power Integrations supplies the following information on the side of each reel for ease of product identification:

- Power Integrations part number (MPN), including orientation suffix
- Assembly date code (D/C)
- Assembly lot identification (LOT)
- Quantity (QTY)
- Tape and reel packing date code (R/D)

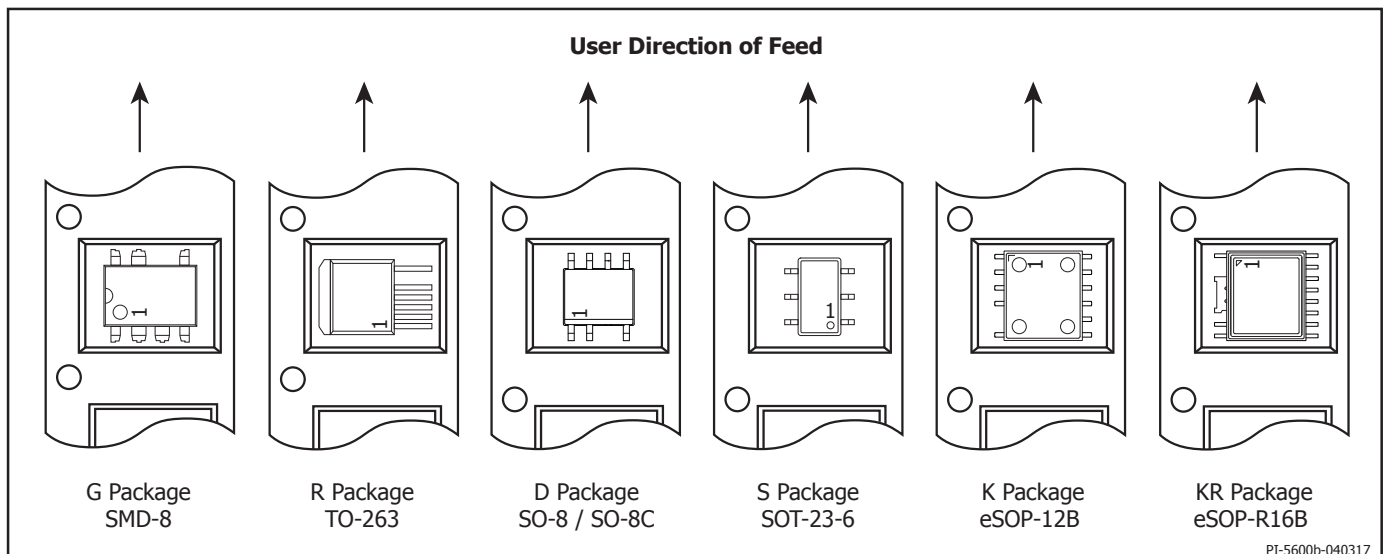
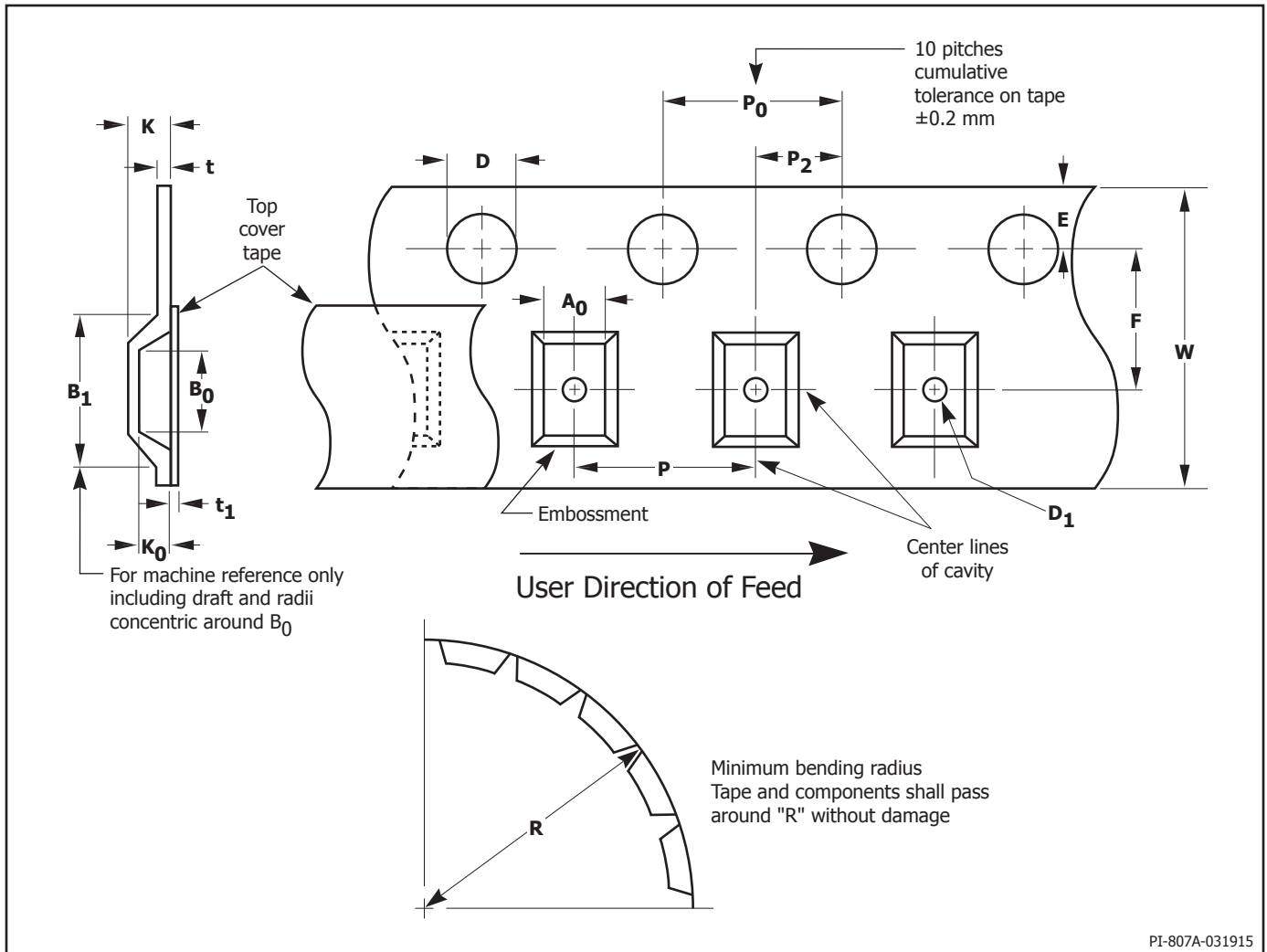


Figure 1. Part Orientation.

# PACKAGE INFORMATION



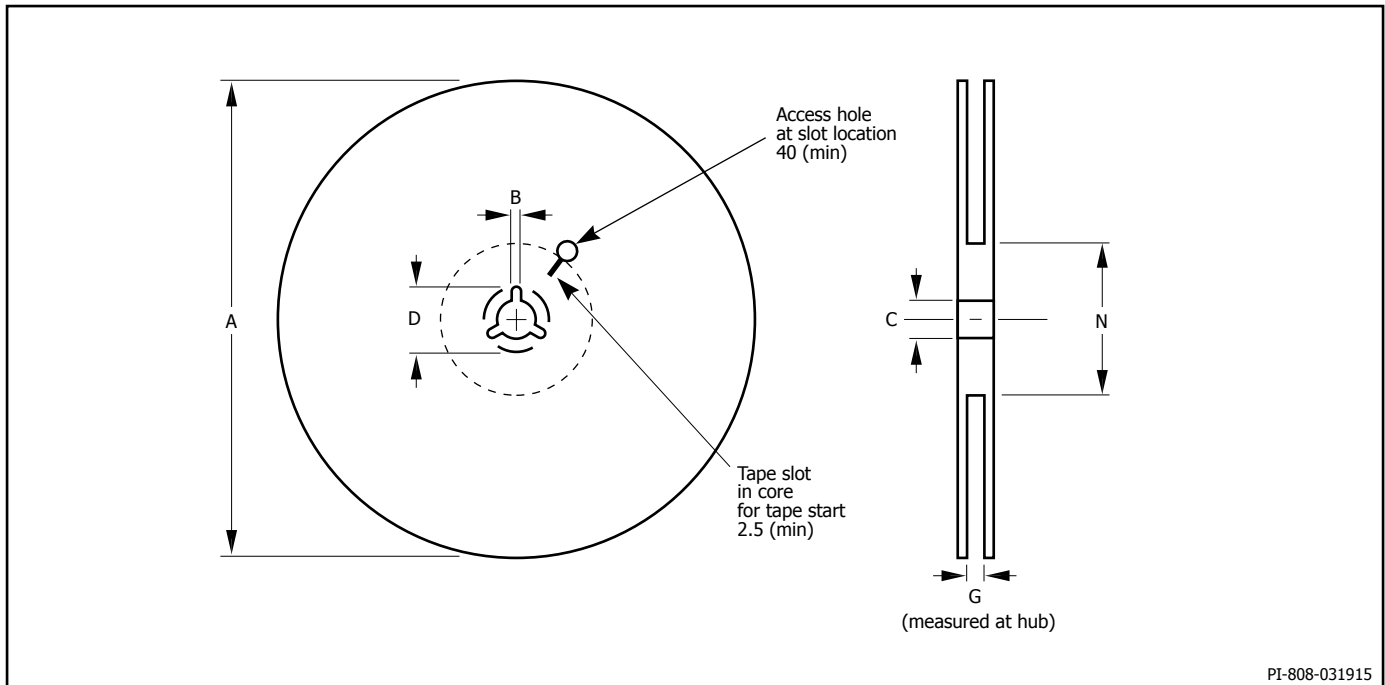
PI-807A-031915

Figure 2. Tape Dimension Index.

Package Type	Tape Size	A <sub>0</sub>	B <sub>0</sub>	B <sub>1</sub>	D	D <sub>1</sub>	E	F	K
SMD-8	16 mm	10.1 - 10.3	10.0 - 10.2	12.1 (max)	1.5 - 1.6	1.5 (min)	1.65 - 1.85	7.40 - 7.60	6.5 (max)
TO-263	24 mm	10.9 - 11.1	16.2 - 16.4	16.9 (max)	1.5 - 1.6	1.5 (min)	1.65 - 1.85	11.40 - 11.60	5.9 (max)
SO-8 / SO-8C	12 mm	6.5 - 6.7	5.2 - 5.4	5.8 (max)	1.5 - 1.6	1.5 (min)	1.65 - 1.85	5.45 - 5.55	2.2 (max)
SOT-23-6	8 mm	5.20 - 5.40	3.30 - 3.50	N/A	1.5 - 1.6	1.5 - 1.7	1.65 - 1.85	5.40 - 5.60	N/A
eSOP-12B	24 mm	10.27 - 10.77	11.89 - 12.39	13.25 (max)	1.5 - 1.6	1.4 (min)	1.65 - 1.85	11.40 - 11.60	3.22 (max)
eSOP-R16B	24 mm	10.27 - 10.77	11.89 - 12.39	13.25 (max)	1.5 - 1.6	1.4 (min)	1.65 - 1.85	11.40 - 11.60	3.22 (max)

Package Type	Tape Size	K <sub>0</sub>	P	P <sub>0</sub>	P <sub>2</sub>	R	t	t <sub>1</sub>	W
SMD-8	16 mm	3.60 - 3.80	11.9 - 12.1	3.9 - 4.1	1.90 - 2.10	40 (min)	0.400 (max)	0.10 (max)	15.7 - 16.3
TO-263	24 mm	5.40 - 5.60	15.9 - 16.1	3.9 - 4.1	1.90 - 2.10	50 (min)	0.350 (max)	0.07 (max)	23.7 - 24.3
SO-8 / SO-8C	12 mm	1.60 - 1.80	7.90 - 8.10	3.8 - 4.2	1.95 - 2.05	50 (min)	0.35 (max)	0.5 (typ)	11.7 - 12.3
SOT-23-6	8 mm	1.30 - 1.50	7.9 - 8.1	3.9 - 4.1	1.90 - 2.10	Complies EIA-481 Standard	0.25 - 0.35	N/A	11.7 - 12.3
eSOP-12B	24 mm	2.72 - 3.22	15.9 - 16.1	3.9 - 4.1	1.90 - 2.10		0.385 (max)	0.7 (max)	23.7 - 24.3
eSOP-R16B	24 mm	2.72 - 3.22	15.9 - 16.1	3.9 - 4.1	1.90 - 2.10		0.385 (max)	0.7 (max)	23.7 - 24.3

Table 2. Tape Dimensions (in mm).



PI-808-031915

Figure 3. Reel Dimension Index.

Package Type	Tape Size	A	B	C	D	G	N
SMD-8	16 mm	330 (max)	1.5 (min)	12.80 - 13.50	20.2 (min)	16	102 (ref)
TO-263	24 mm	330 (max)	1.5 (min)	12.80 - 13.50	20.2 (min)	24	102 (ref)
SO-8 / SO-8C	12 mm	330 (max)	1.5 (min)	12.80 - 13.50	20.2 (min)	12	102 (ref)
SOT-23-6	8 mm	328 - 332	2.17 - 2.23	13.00 - 13.50	20.2 (min)	8	98 - 102
eSOP-12B	24 mm	332 (max)	1.5 (min)	12.80 - 13.50	20.2 (min)	24.4 - 25.4	102 (ref)
eSOP-R16B	24 mm	332 (max)	1.5 (min)	12.80 - 13.50	20.2 (min)	24.4 - 25.4	102 (ref)

Table 3. Reel Dimensions (in mm).

### Pb-Free and RoHS Compliant Products

Power Integrations is committed to environmental, health and safety excellence and is actively complying with regulatory requirements regarding the removal of hazardous materials in manufacturing standards and processes. In response to concerns regarding the environmental impact of lead (Pb), a Pb-free solder finish is now available using 100% matte tin (Sn).

Pb-free packages offered by Power Integrations meet the requirements of the European law on the Restriction of Hazardous Substances (RoHS), which mandates the removal of lead and other hazardous substances cited in the directive. All Pb-free and RoHS compliant products have passed qualification testing for moisture sensitivity, solderability, and whisker growth. Pb-free and RoHS compliant surface mount products also comply with the joint IPC/JEDEC industry standard on reflow solderability (J-STD-020). More information on soldering is included below.

RoHS compliant and Pb-free products are designated by an N-suffix at the end of the part number (see the Part Ordering Information section of the product family data sheets).

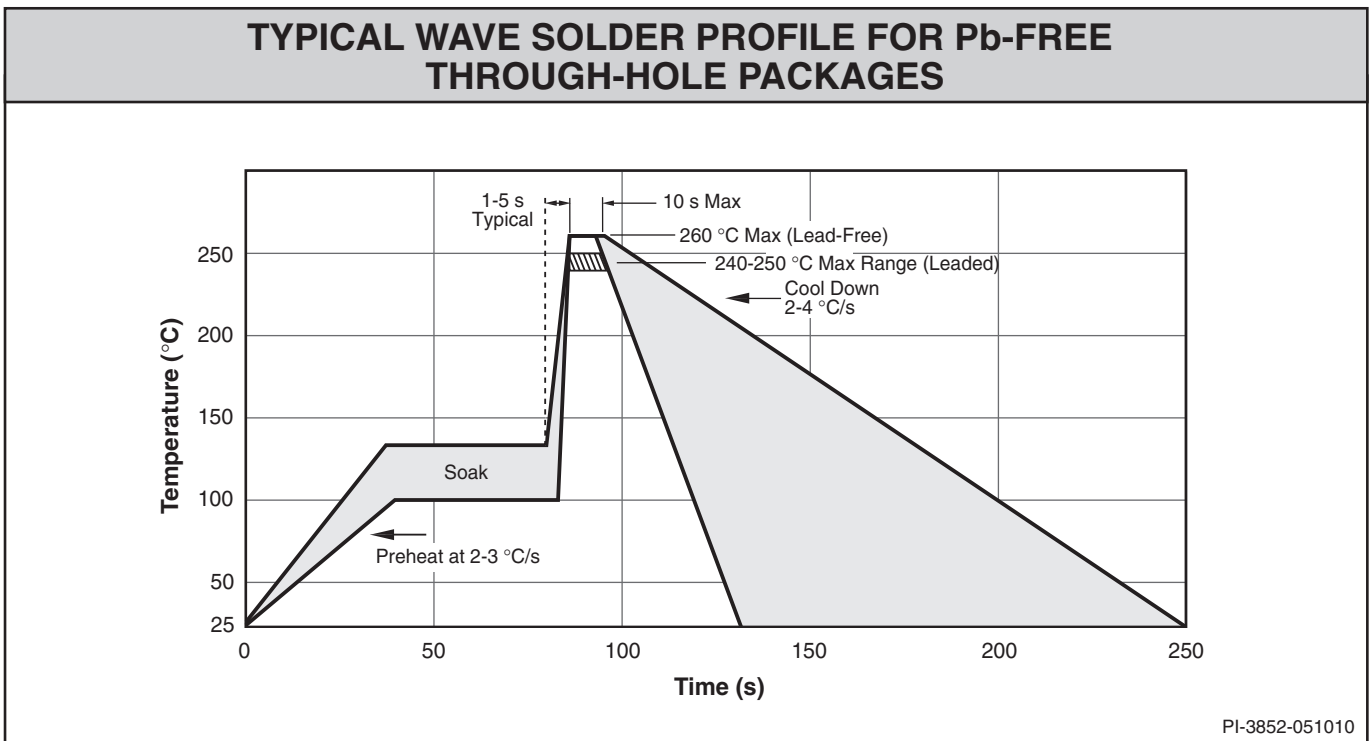
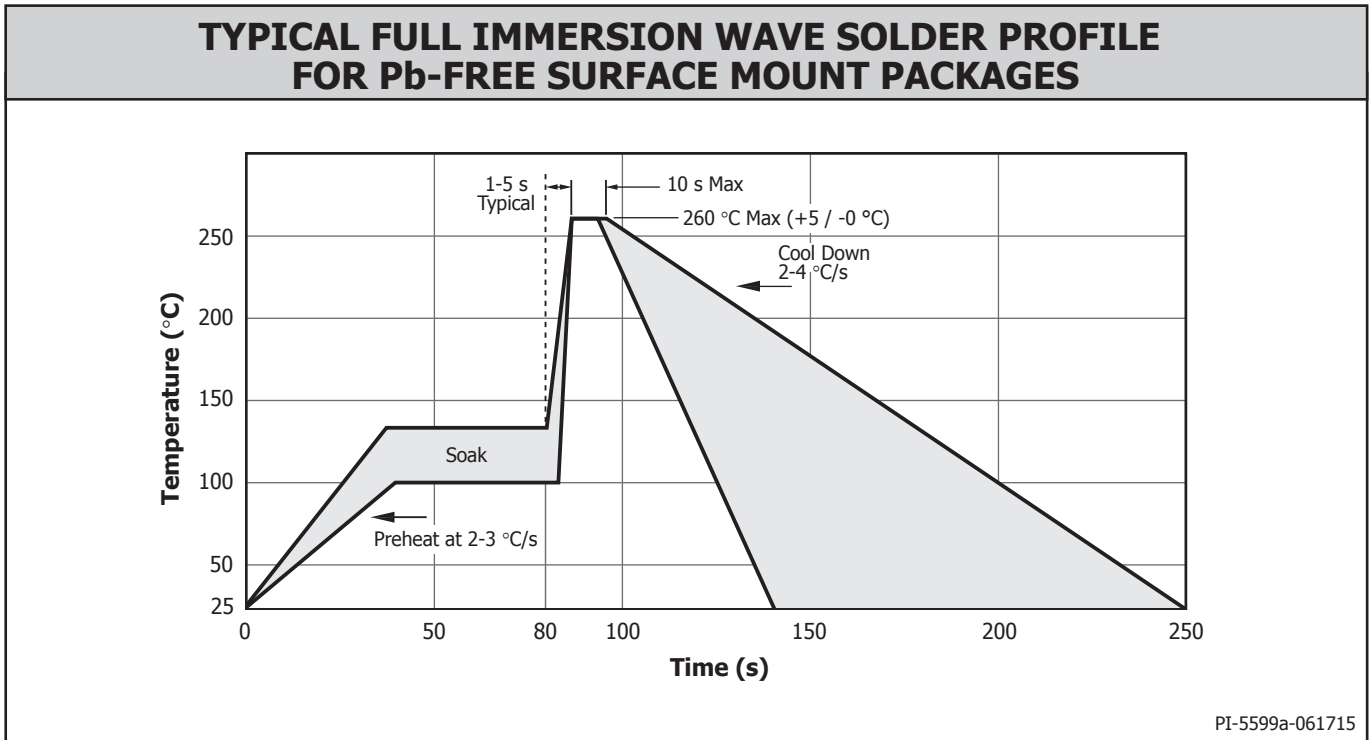
### Green Products

Power Integrations considers GREEN a product RoHS compliant, Pb-Free and Halogen-Free. These products are designed by G-suffix at the end of the part number.

Substance	Upper Limits
Bromine	<900 ppm
Chlorine	<900 ppm
Total Halogen	<1500 ppm
Antimony Trioxide	<1000 ppm

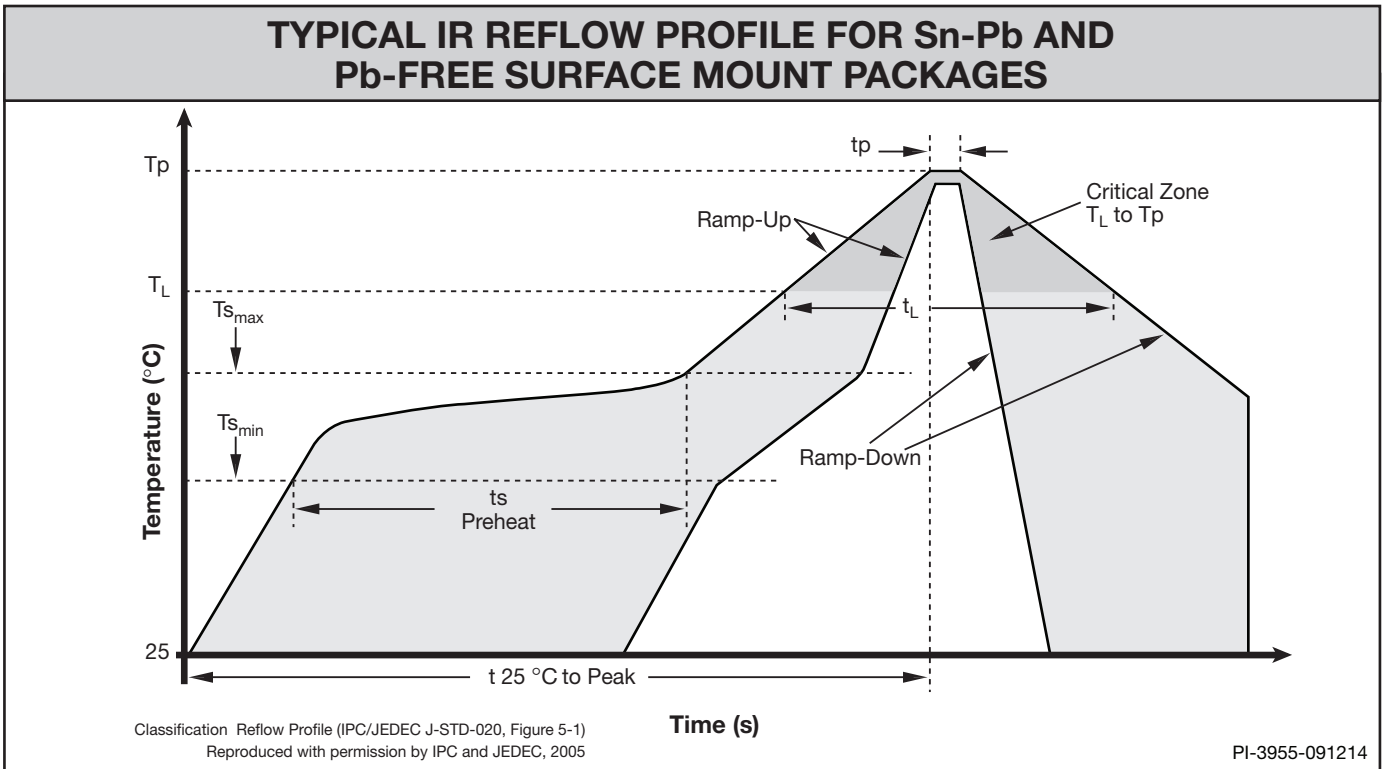
Table 4. Halogen Free Substance Limits.

**Solder Temperature Profiles**



Note 1: Pb-free packages are qualified for Sn-Pb assembly. Sn-Pb packages are not qualified for Pb-free assembly.

**Solder Temperature Profiles**



Note 1: Pb-free packages are qualified for Sn-Pb assembly. Sn-Pb packages are not qualified for Pb-free assembly.

## PACKAGE INFORMATION

Profile Feature	Sn-Pb Eutectic Assembly	Pb-Free Assembly
Average Ramp-Up Rate ( $T_{s_{max}}$ to $T_p$ )	3 °C/second max.	3 °C/second max.
Preheat ± Temperature Min ( $T_{s_{min}}$ ) ± Temperature Max ( $T_{s_{max}}$ ) ± Time ( $t_{s_{min}}$ to $t_{s_{max}}$ )	100 °C 150 °C 60-120 seconds	150 °C 200 °C 60-180 seconds
Time maintained above: ± Temperature ( $T_l$ ) ± Time ( $t_l$ )	183 °C 60-150 seconds	217 °C 60-150 seconds
Peak/Classification Temperature ( $T_p$ )	See Table 6	See Table 6
Time within 5 °C of actual Peak Temperature ( $t_p$ )	10-30 seconds	20-40 seconds
Ramp-Down Rate	6 °C/second max.	6 °C/second max.
Time 25 °C to Peak Temperature	6 minutes max.	8 minutes max.

Table 5. Classification Reflow Profiles (per IPC/JEDEC J-STD-020, Table 5.2)

Note 1: All temperatures refer to topside of the package, measured on the package body surface.

Package Type	Sn-Pb Eutectic Assembly	Pb-Free Assembly
SMD-8	225 + 0/-5 °C	250 + 0 °C*
TO-263	225 + 0/-5 °C	Not Available
SO-8 / SO-8C	225 + 0/-5 °C	260 + 0/-5 °C
SOT-23-6	225 + 0/-5 °C	260 + 0/-5 °C
eSOP-12B	225 + 0/-5 °C	260 + 0/-5 °C
eSOP-R16B	225 + 0/-5 °C	260 + 0/-5 °C

\*Tolerance: Process compatibility is up to and including the stated classification temperature (this means Peak reflow temperature + 0 °C. For example, 250 + 0 °C) at the rated MSL level.

Table 6. Peak/Classification Temperature ( $T_p$ ) for PI Surface Mount Packages.

Note 1: Classification temperatures are in accordance with guidelines set forth in IPC/JEDEC J-STD-020.

### Soldering Guidelines

1. Profiles shown are typical and will therefore vary with different soldering systems.
2. Density and types of components on the board, size and type of board, solder and flux being used, substrate material being used, equipment type/model and age are factors that can influence the profile.
3. Since the melting temperature of solder is higher than the rated temperature of the device, care should be taken that the device will get as little exposure as possible at the high temperature. Not doing so increases possibility of a device failure.

4. Limit high temperature exposure only to single side or one time and mostly to the leads area only.
5. Upon completion of soldering, gradual natural cooling should be observed for a minimum of three minutes. Using forced cooling will increase temperature gradient which increases mechanical stress leading to latent failure.

### PC Board Cleaning

Power Integrations does not recommend the use of "no-clean" flux.

**Mounting Guidelines for TO-220 Package**

**Maximum Torque**

The screw torque specification for the TO-220 packages used for Power Integrations products is 4 lbf × in or 0.45 N × m (4.6 kgf × cm) maximum.

**Mounting Guidelines**

The recommended fastener is a 6-32 screw using a rectangular washer to prevent damage to the tab. If a rectangular washer is not used, a round flat washer is required. The head of a machine screw is not flat enough to prevent damage. Without a washer, damage to the plastic case and semiconductor chip within may occur.

A smaller screw or larger heat sink hole can cause the tab to be deformed, cracking the package. Care must also be taken to prevent contact between the plastic package and the screw head or tool used to tighten it. Self-tapping screws may deform the heat sink causing poor thermal contact. Rivets should not be used under any circumstances for TO-220 packages.

The mounting surface must be flat and without burrs. Otherwise, the TO-220 tab may be bent, causing damage to the IC chip.

Finally, the IC should be mounted to the heat sink before soldering the assembly to the PCB. Soldering the IC and heat sink to the PCB and then screwing them together will put unacceptable mechanical stress on the IC package.

Revision	Notes	Date
V	Updated wave solder profiles	12/09
W	Page 17, per PCN 09081	12/09
X	Added eDIP-12 package	03/10
Y	Added SO-8 package, removed MSL information	04/10
Z	Updated Note 2 on eSIP-7C, eSIP-7F, eDIP-12 and SO-8C	06/10
AA	Added eSOP-12 package	10/10
AB	Added eSIP-7G and eSIP-16B packages	11/10
AC	Updated eSIP-16B package	03/11
AD	Updated Table 6 with eSOP-12 package type	03/11
AE	Added eSIP-16C package	05/11
AF	Added eDIP-12B and eSOP-12B packages. Removed eDIP-12 and eSOP-12 packages.	10/11
AG	Added eSIP-16K L package and eSOP-12B to PI-5599.	02/12
AH	Added eSIP-16J H package.	09/12
AI	Corrected SMD-8 value in column "W" for Table 2.	02/13
AJ	Added eSIP-16D H Package, eSIP-16G L Package, eSIP-16F H Package.	06/13
AK	Updated eSIP-16F H Package.	09/13
AL	Added package identifier table.	11/13
AM	Removed IC packages – refer to data sheets.	05/14
AN	Added new Branding Style.	03/15
AO	Added eSOP-R16B package.	04/16
AP	Added SOT-23-6 package.	05/16
AQ	Noted in Table 1 that SOP8 is identical to SO-8.	08/16
AR	Corrected SOT-23-6 pin package direction in Figure 1.	04/17

## For the latest updates, visit our website: [www.power.com](http://www.power.com)

Power Integrations reserves the right to make changes to its products at any time to improve reliability or manufacturability. Power Integrations does not assume any liability arising from the use of any device or circuit described herein. POWER INTEGRATIONS MAKES NO WARRANTY HEREIN AND SPECIFICALLY DISCLAIMS ALL WARRANTIES INCLUDING, WITHOUT LIMITATION, THE IMPLIED WARRANTIES OF MERCHANTABILITY, FITNESS FOR A PARTICULAR PURPOSE, AND NON-INFRINGEMENT OF THIRD PARTY RIGHTS.

## Patent Information

The products and applications illustrated herein (including transformer construction and circuits external to the products) may be covered by one or more U.S. and foreign patents, or potentially by pending U.S. and foreign patent applications assigned to Power Integrations. A complete list of Power Integrations patents may be found at [www.power.com](http://www.power.com). Power Integrations grants its customers a license under certain patent rights as set forth at <http://www.power.com/ip.htm>.

## Life Support Policy

POWER INTEGRATIONS PRODUCTS ARE NOT AUTHORIZED FOR USE AS CRITICAL COMPONENTS IN LIFE SUPPORT DEVICES OR SYSTEMS WITHOUT THE EXPRESS WRITTEN APPROVAL OF THE PRESIDENT OF POWER INTEGRATIONS. As used herein:

1. A Life support device or system is one which, (i) is intended for surgical implant into the body, or (ii) supports or sustains life, and (iii) whose failure to perform, when properly used in accordance with instructions for use, can be reasonably expected to result in significant injury or death to the user.
2. A critical component is any component of a life support device or system whose failure to perform can be reasonably expected to cause the failure of the life support device or system, or to affect its safety or effectiveness.

The PI logo, TOPSwitch, TinySwitch, SENZero, SCALE, SCALE-iDriver, Qspeed, PeakSwitch, LYTSwitch, LinkZero, LinkSwitch, InnoSwitch, HiperTFS, HiperPFS, HiperLCS, DPA-Switch, CAPZero, Clampless, EcoSmart, E-Shield, Filterfuse, FluxLink, StakFET, PI Expert and PI FACTS are trademarks of Power Integrations, Inc. Other trademarks are property of their respective companies. ©2017, Power Integrations, Inc.

---

## Power Integrations Worldwide Sales Support Locations

### World Headquarters

5245 Hellyer Avenue  
San Jose, CA 95138, USA  
Main: +1-408-414-9200  
Customer Service:  
Worldwide: +1-65-635-64480  
Americas: +1-408-414-9621  
e-mail: [usasales@power.com](mailto:usasales@power.com)

### China (Shanghai)

Rm 2410, Charity Plaza, No. 88  
North Caoxi Road  
Shanghai, PRC 200030  
Phone: +86-21-6354-6323  
e-mail: [chinasales@power.com](mailto:chinasales@power.com)

### China (Shenzhen)

17/F, Hivac Building, No. 2, Keji Nan  
8th Road, Nanshan District, Shen-  
zhen, China, 518057  
Phone: +86-755-8672-8689  
e-mail: [chinasales@power.com](mailto:chinasales@power.com)

### Germany

Lindwurmstrasse 114  
80337 Munich  
Germany  
Phone: +49-895-527-39110  
e-mail: [eurosales@power.com](mailto:eurosales@power.com)

### Germany

HellwegForum 1  
59469 Ense  
Germany  
Tel: +49-2938-64-39990  
e-mail: [igbt-driver.sales@power.com](mailto:igbt-driver.sales@power.com)

### India

#1, 14th Main Road  
Vasanthanagar  
Bangalore-560052 India  
Phone: +91-80-4113-8020  
e-mail: [indiasales@power.com](mailto:indiasales@power.com)

### Italy

Via Milanese 20, 3rd. Fl.  
20099 Sesto San Giovanni (MI) Italy  
Phone: +39-024-550-8701  
e-mail: [eurosales@power.com](mailto:eurosales@power.com)

### Japan

Kosei Dai-3 Bldg.  
2-12-11, Shin-Yokohama,  
Kohoku-ku  
Yokohama-shi, Kanagawa  
222-0033 Japan  
Phone: +81-45-471-1021  
e-mail: [japansales@power.com](mailto:japansales@power.com)

### Korea

RM 602, 6FL  
Korea City Air Terminal B/D, 159-6  
Samsung-Dong, Kangnam-Gu,  
Seoul, 135-728, Korea  
Phone: +82-2-2016-6610  
e-mail: [koreasales@power.com](mailto:koreasales@power.com)

### Singapore

51 Newton Road  
#19-01/05 Goldhill Plaza  
Singapore, 308900  
Phone: +65-6358-2160  
e-mail: [singaporesales@power.com](mailto:singaporesales@power.com)

### Taiwan

5F, No. 318, Nei Hu Rd., Sec. 1  
Nei Hu Dist.  
Taipei 11493, Taiwan R.O.C.  
Phone: +886-2-2659-4570  
e-mail: [taiwansales@power.com](mailto:taiwansales@power.com)

### UK

Building 5, Suite 21  
The Westbrook Centre  
Milton Road  
Cambridge  
CB4 1YG  
Phone: +44 (0) 7823-557484  
e-mail: [eurosales@power.com](mailto:eurosales@power.com)

---