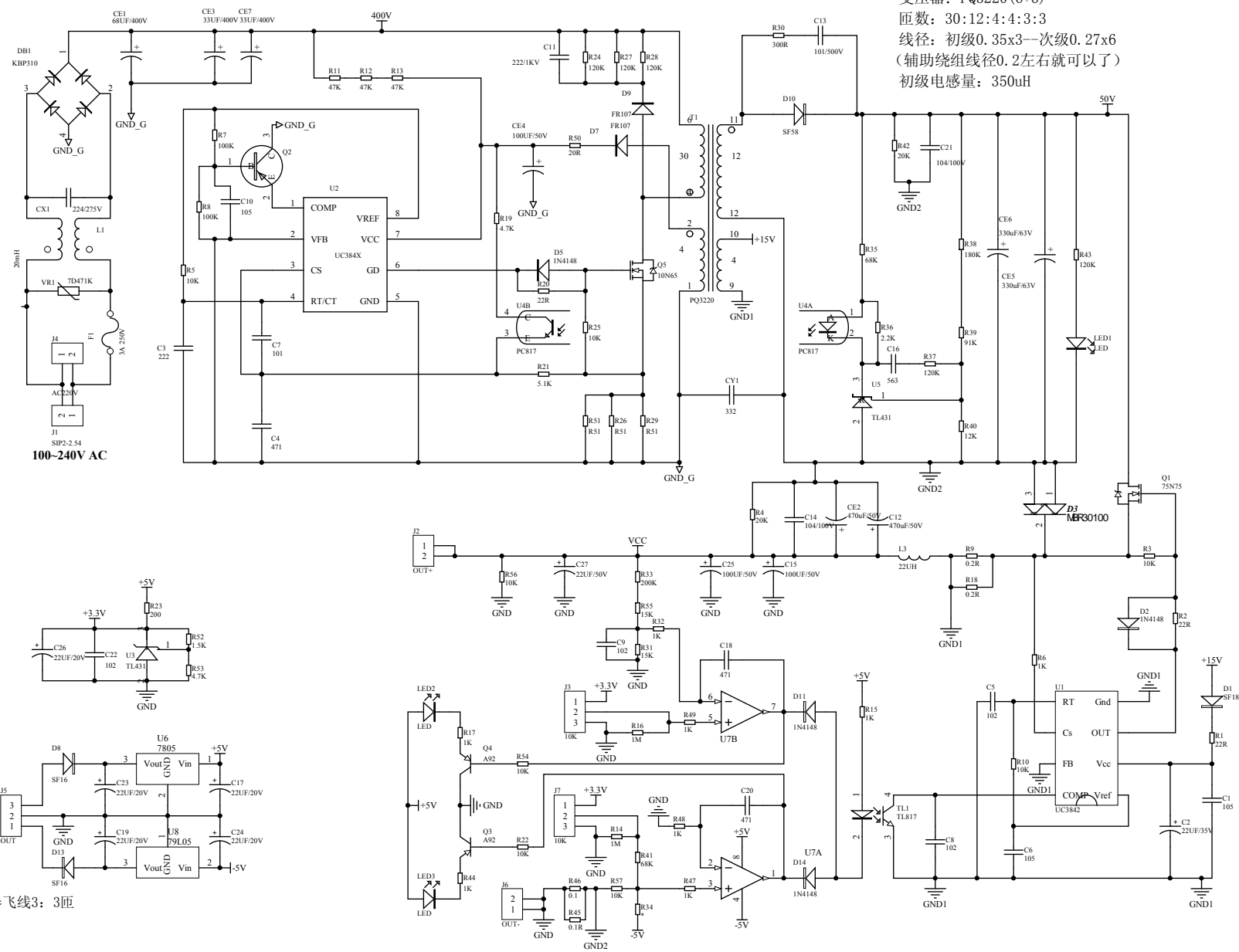


变压器: PQ3220 (6+6)
 匝数: 30:12:4:4:3:3
 线径: 初级0.35x3—次级0.27x6
 (辅助绕组线径0.2左右就可以了)
 初级电感量: 350uH



100-240V AC

变压器飞线3: 3匝

Title		
Size	Number	Revision
A3		
Date:	2015-8-18	Sheet of
File:	E:\ AC-DC\AC-DC SchDoc	Drawn By: