

6

5

4

3

2

1

D

D

C

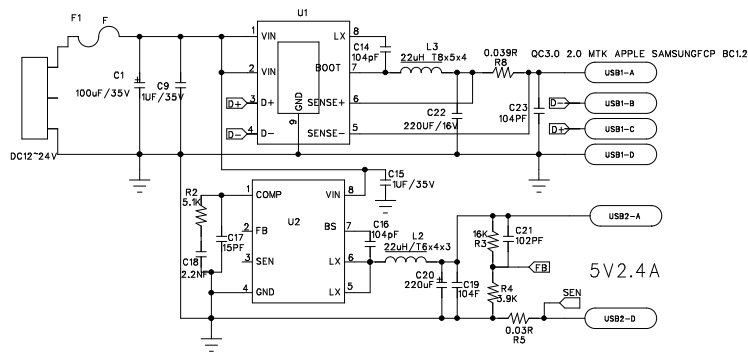
C

B

B

A

A



COMPANY:					
TITLE:					
DRAWN:	DATED:	CODE:	SIZE:	DRAWING NO:	REV:
CHECKED:	DATED:				
QUALITY CONTROL:	DATED:				
RELEASED:	DATED:	SCALE:		SHEET: OF	

iWatt - CONFIDENTIAL