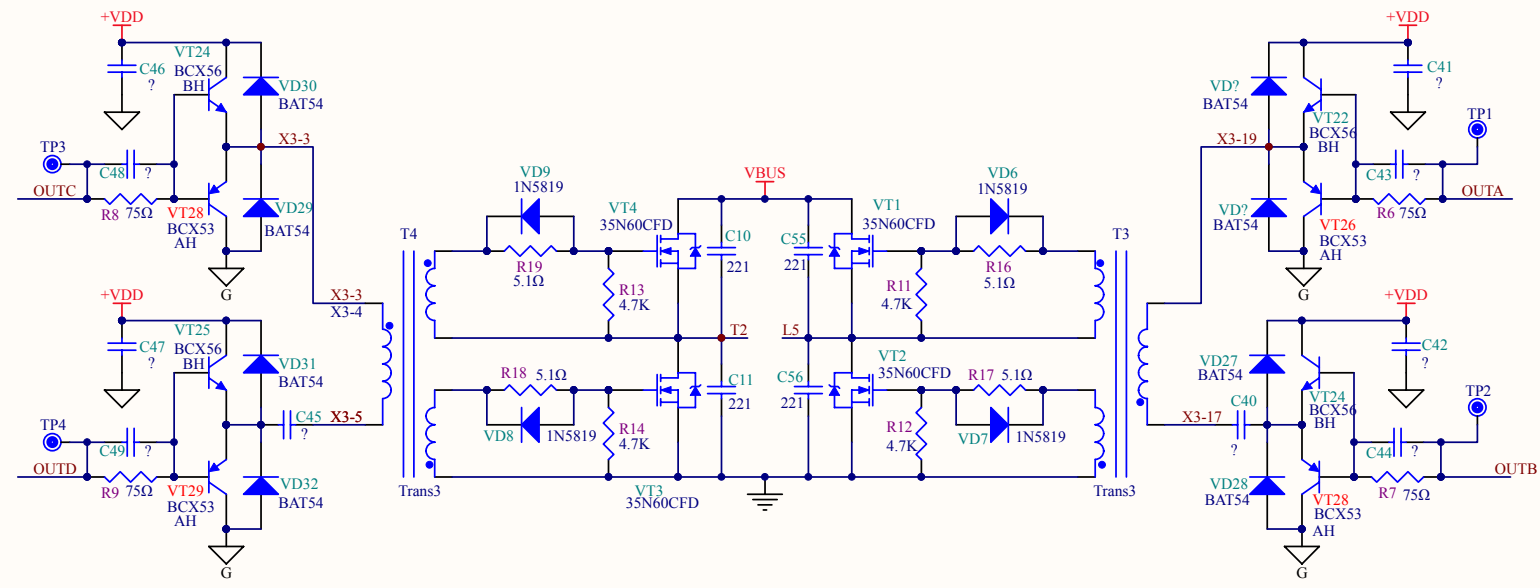


$RA=26.1+24.3+24.3+0.25=74.95K$   
 $RB=0.25+2.43+1.0=3.68$   
 放大倍数= $74.95/3.68+1=21.37$   
 基准电压= $53.5/21.37=2.50V$

$I1=2.0V/18.72=0.107A$   
 $I2=2.7V/220=0.012A$   
 $I1+I2=0.119A$   
 $I_{max}=50*0.119A=5.95A$   
 $P_{max1}=410V*5.95A=2440W$   
 $P_{max2}=410V*5.95A*1.25=3050W$



Title			<b>中兴ZXD2400-移相全桥</b>		
Size	Number			Revision	<b>4.1</b>
A2					
Date:	2013/4/1 星期一		Sheet	of	
File:	E:\20130308\中兴ZXD2400-移相全桥		Sheet	No.:	