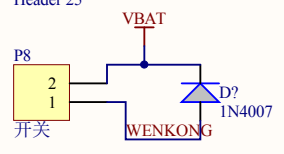
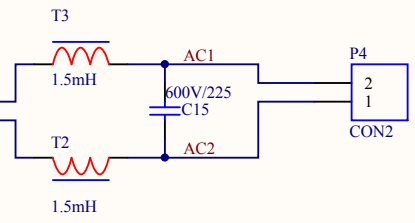
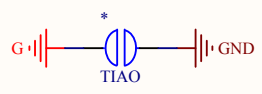
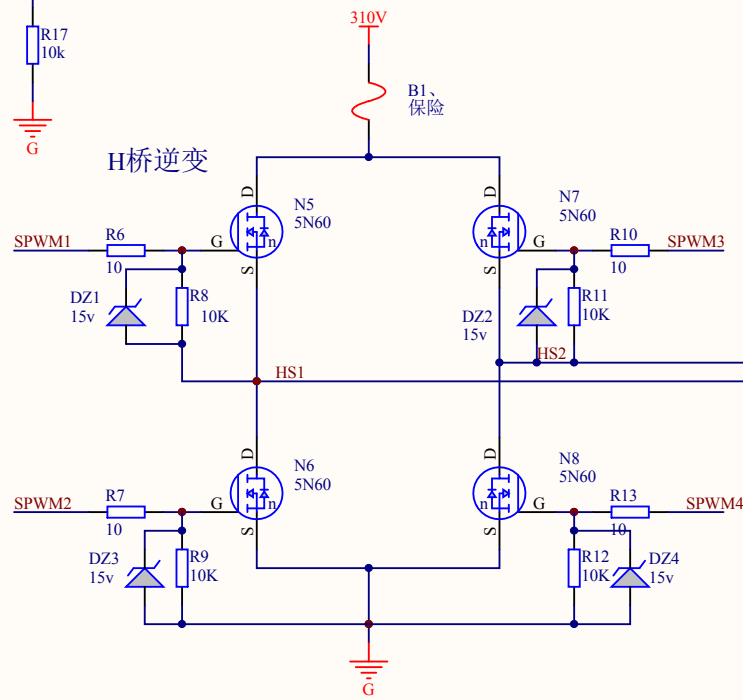
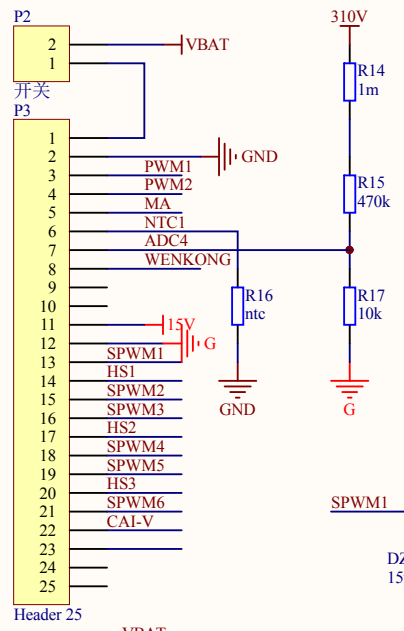
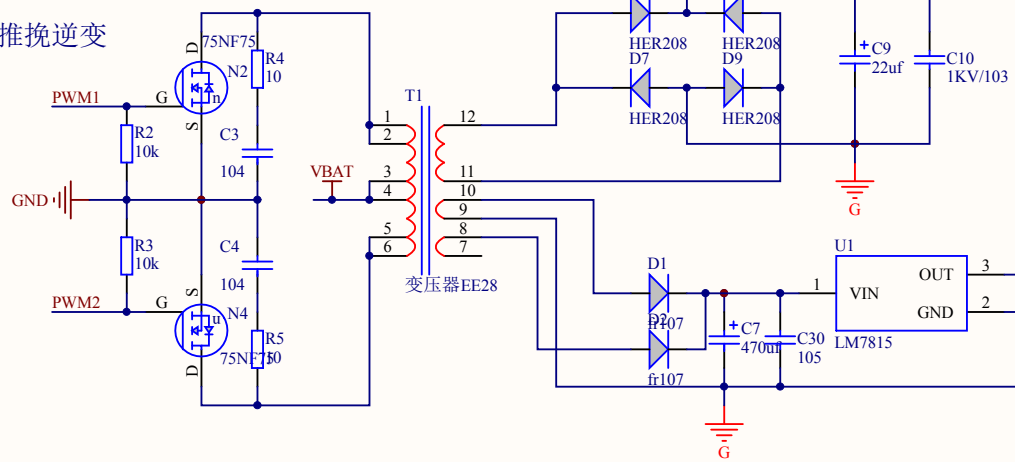


推挽逆变



Title		
Size	Number	Revision
A4		
Date:	2013/8/8	Sheet of
File:	E:\350W逆变器逆变器直流升压.SchDoc	Drawn By: