

CONSONANCE

4.5V to 32V Input, Constant Current Boost HB LED Driver CN5815

General Description:

The CN5815 is a current mode fixed-frequency PWM controller for high brightness(HB) LED driving applications. The device operates from an input supply between 4.5V and 32V and provides to drive an external N-channel MOSFET.

The CN5815 contains all the necessary building blocks including a bandgap reference, a 330KHz oscillator, current-mode control circuitry, chip shutdown block, softstart block and gate driver, etc. LED current is set by an external resistor.

Current mode control provides improved transient response and simplified loop compensation. On-chip soft start reduces the inrush current on power up. The other features include chip shutdown, over voltage protection, LED dimming, built-in 5V regulator and slope compensation, etc.

The CN5815 is available in 10-pin SSOP package.

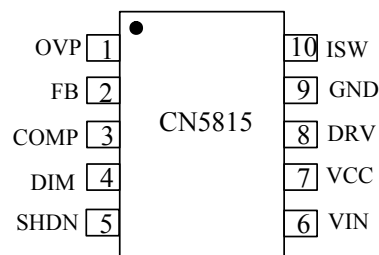
Features:

- Constant Current HB LED Driver
- LED Current Set by an External Resistor
- $\pm 10\%$ LED Current Accuracy
- Peak Current Mode PWM Controller
- 4.5V to 32V Input Range
- 330kHz Switching Frequency
- PWM Dimming
- Cycle-by-Cycle Peak Inductor Current Limit
- On-Chip Slope Compensation
- Internal Soft-start
- Built-in 5V regulator
- Low Shutdown Current
- Operating Temperature Range:
-40°C to 85°C
- Available in 10-pin SSOP package.
- Lead-free, Rohs-Compliant and Halogen-free

Applications:

- High Brightness LED Lighting
- Flashlight
- Building and Street Lighting
- Constant Current Power Supply
- Portable Devices

Pin Assignment



CONSONANCE

Typical Application Circuit

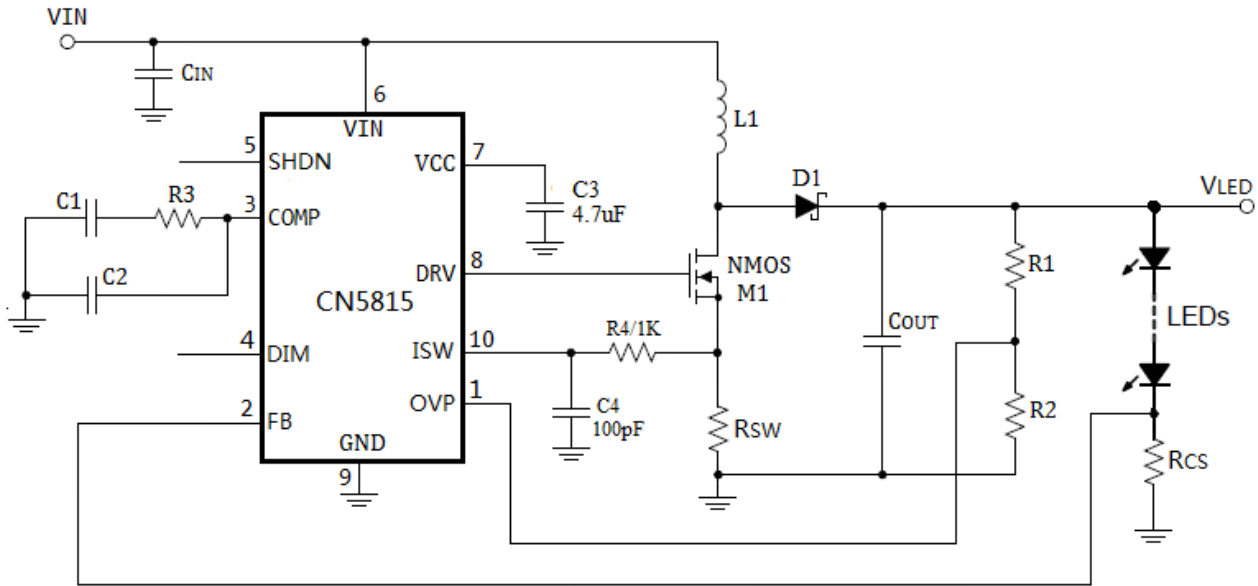


Figure 1 Typical Application Circuit

Ordering Information

| Part No. | Shipment | Operating Ambient Temperature |
|----------|--------------------------|-------------------------------|
| CN5815 | Tape and Reel, 3000/Reel | -40°C to +85°C |

CONSONANCE

Pin Description

| No. | Name | Description |
|-----|------|--|
| 1 | OVP | Over Voltage Protection Input. The PWM converter turns off when the voltage of this pin goes to higher than 1.205V(Typical), and returns to normal operation if the voltage at OVP pin falls below 1.151V(Typical). |
| 2 | FB | Feedback Pin. The LED current is feedback to this pin. Generally FB pin should be connected to an external current sense resistor. In normal operation, the LED current is decided by the following equation: $I_{LED} = \frac{120mV}{R_{CS}}$ Where, I_{LED} is the LED current, R_{CS} is the current sense resistor as shown in Figure 1. |
| 3 | COMP | Compensation Pin. Connect the compensation network between COMP pin and GND. |
| 4 | DIM | LED Dimming Input. PWM signal is input to DIM pin. When DIM pin is pulled low, internal PWM converter is disabled, DRV pin outputs low, no energy is transferred to LED string; When DIM pin is high, the PWM converter operates normally. |
| 5 | SHDN | Shutdown Input Pin. Pulling this pin high, places the part into a shutdown mode. Shutdown mode is characterized by a very low quiescent current. In shutdown mode, all the functionality of all blocks is disabled and the on-chip 5V regulator is also shutdown. Pulling this pin low places the part into normal operation mode. |
| 6 | VIN | Input Supply Voltage. Positive terminal of input supply. The input voltage range is 4.5V to 32V. Connect a local bypass capacitor from this pin to GND. |
| 7 | VCC | +5V Regulator output. A bypass capacitor of 4.7uF at least should be connected from this pin to GND. If the input voltage is less than 5.5V, the voltage at VCC pin may be less than 5V. |
| 8 | DRV | Gate Drive Pin. Gate drive for the external N-channel MOSFET. Connect this pin to the gate of external N-channel MOSFET. |
| 9 | GND | Ground. Negative terminal of input supply. |
| 10 | ISW | Inductor Current Sense Pin. The inductor current is sensed at ISW pin on the cycle-by-cycle basis for both the current mode control and overcurrent protection. |

Absolute Maximum Ratings

| | | | |
|--|---------------|-----------------------------------|----------------|
| VIN Terminal Voltage..... | -0.3V to 36V | Maximum Junction Temperature..... | 150°C |
| Other Terminals Voltage..... | -0.3V to 6.5V | Storage Temperature..... | -65°C to 150°C |
| Operating Temperature..... | -40°C to 85°C | Lead Temperature(Soldering)..... | 260°C |
| Thermal Resistance(Junction to Case) | 200°C/W | | |

Stresses beyond those listed under “Absolute Maximum Ratings” may cause permanent damage to the device. These are stress ratings only, and functional operation of the device at these or any other conditions beyond those indicated in the operational sections of the specifications is not implied. Exposure to absolute maximum rating conditions for extended periods may affect device reliability.

CONSONANCE

Electrical Characteristics

(VIN = 12V, TA = -40°C to +85°C, Typical values are at TA = +25°C, unless otherwise noted)

| Parameters | Symbol | Test Conditions | Min | Typ | Max | Unit |
|-----------------------|---------|---|-------|-------|-------|------|
| Input Supply Voltage | VIN | | 4.5 | | 32 | V |
| Input Supply Current | IVIN | VFB = 1.3V, VSHDN = 0V | 700 | 810 | 920 | μA |
| Shutdown Current | ISD | SHDN = 3V, VIN = 12V | 3.6 | 5.2 | 6.8 | μA |
| | | SHDN = 3V, VIN = 30V | 9 | 13 | 17 | |
| Switching Frequency | fSW | Normal operation | 285 | 330 | 375 | KHz |
| Maximum Duty Cycle | DMAX | | | 93 | | % |
| Minimum On Time | TMIN | | | 100 | | ns |
| Soft-Start Time | TSS | | | 9.5 | | ms |
| Overcurrent Threshold | VSW(OC) | Measured at ISW pin | 170 | 180 | 190 | mV |
| FB Pin | | | | | | |
| Feedback Voltage | VFB | Normal operation | 108 | 120 | 132 | mV |
| FB Pin Bias Current | IFB | | -100 | 0 | +100 | nA |
| SHDN Pin | | | | | | |
| Input Voltage High | VIH | | 2.3 | | | V |
| Input Voltage Low | VIL | | | | 0.5 | V |
| SHDN Bias Current | ISHDN | | -100 | 0 | +100 | nA |
| OVP Pin | | | | | | |
| OVP Rising Threshold | VOVPR | OVP pin voltage rises | 1.155 | 1.205 | 1.255 | V |
| OVP Falling Threshold | VOVPF | OVP pin voltage falls | 1.101 | 1.151 | 1.201 | V |
| OVP Pin Bias Current | IOVP | | -100 | 0 | +100 | nA |
| DIM Pin | | | | | | |
| Input Voltage High | VDIMR | DIM pin voltage rises | 2.0 | | | V |
| Input Voltage Low | VDIMF | DIM pin voltage falls | | | 0.6 | V |
| SHDN Bias Current | IDIM | | -100 | 0 | +100 | nA |
| DRV Pin | | | | | | |
| Source Current | | VDRV = 4V | | 0.8 | | A |
| Sink Current | | VDRV = 1V | | 1.5 | | A |
| Fall Time | tf | CDRV = 2nF | | 22 | | ns |
| Rise Time | tr | CDRV = 2nF | | 30 | | ns |
| VCC Pin | | | | | | |
| Output Voltage | VCC | IVCC = 0.1mA to 4mA, VIN = 5.5V to 32V | 4.7 | | 5.3 | V |
| Load Regulation | | IVCC = 0.1mA to 4mA, | | 5 | | Ohm |
| Line Regulation | | VIN = 6V to 32V, IVCC = 3mA | | 6 | | mV |
| PSRR | PSRR | IVCC = 3mA, fIN = 10kHz | | -35 | | dB |
| Startup Time | tSTART | VCC = 0 to 4.5V, COUT = 4.7μF | | 5 | | mS |

CONSONANCE

Detailed Description

The CN5815 is a current mode fixed-frequency PWM controller for high brightness LED driving applications. The device operates from an input supply between 4.5V and 32V and provides to drive an external N-channel MOSFET. LED current is set by an external LED current sense resistor.

The CN5815 contains all the necessary building blocks including a bandgap reference, error amplifier, 330KHz oscillator, compensation slope generator, current-mode control circuitry, inductor overcurrent protection circuit, LED dimming block, chip shutdown block, soft start block and gate driver, etc.

Current mode control provides improved transient response and simplified loop compensation. A dedicated COMP pin allows the optimization of loop response. Soft start reduces the inrush current on power up.

The internal over voltage comparator and OVP pin monitor the LED voltage for LED open circuit protection, if voltage at OVP pin is higher than 1.205V(Typical), the DRV pin will be pulled low until the LED voltage falls below 1.151V(Typical).

Application Information

Input Voltage Range

The CN5815 is intended to implement boost LED driving function. The input voltage range is from 4.5V to 32V.

Shutdown

The SHDN pin is active high shutdown input. Pulling this pin above 2.3V causes the CN5815 to completely shut down and enter a low current consumption state. In this state, the regulator connected to the VCC pin is turned off. Pulling SHDN pin below 0.5V brings the CN5815 back to normal operation.

+5V Regulator

The CN5815 includes a fixed +5V output regulator that delivers up to 4mA of load current for low-power applications throughout the +5.5V to +32V input voltage range. The regulator supplies power for the internal low voltage circuitry of the controller including the gate driver.

Connect a bypass capacitor of 4.7uF at least from VCC pin to GND.

If the +5V regulator is used to power external circuitry, care should be taken not to overload the +5V regulator, otherwise the capability to drive external N-channel MOSFET may be affected.

When SHDN pin is pulling high, the 5V regulator is also turned off.

Setting LED Current

The LED current is set by placing a current sense resistor between FB pin and GND. The LED current is decided by the following formula:

$$I_{LED} = \frac{120mV}{R_{CS}}$$

Where:

I_{LED} is the LED current

R_{CS} is the current sense resistor between the FB pin and GND

Setting the Over Voltage Protection Level

The CN5815 is equipped with Over Voltage Protection (OVP) function. When the voltage at OVP pin exceeds a threshold of 1.205V(Typical), the power switch is turned off. The power switch can be turned on again once the voltage at OVP pin drops below 1.151V(Typical). As shown in Figure 1, the OVP voltage can be set by the following equation:

$$V_{OUT} = 1.205 \times \left(1 + \frac{R1}{R2}\right)$$

Where, R1 and R2 form the resistor divider at OVP pin.

CONSONANCE

LED Dimming

The CN5815 provides pulsed or chopped current dimming. Generally, high-brightness LEDs are binned to match at their full-rated current. However, LEDs from the same bin exhibit poor matching at currents other than full-rated current. To achieve uniformity, high brightness LED manufacturers recommend PWM pulsing of the LED current at their full-rated value. This can be achieved by pulsing the DIM pin while having a constant voltage at VIN. The frequency of PWM signal applied to DIM pin should be between 30KHz and 100KHz.

N-Channel MOSFET Gate Driver (DRV Pin)

The CN5815 offers a built-in gate driver for driving an external N-channel MOSFET. The DRV pin can source/sink currents in excess of 800mA/1500mA. The gate driver is powered by on-chip 5V regulator, so the voltage at DRV pin is 5V while output high.

Duty Cycle Estimation

For a boost LED driver operating in continuous conduction mode (CCM), the duty cycle is:

$$D = 1 - \frac{V_{IN}}{V_{LED} + V_D}$$

Where, VIN is the input voltage, VLED is LED voltage, VD is the forward voltage of freewheeling diode. So the maximum duty cycle occurs when VIN is minimum, namely:

$$D_{max} = 1 - \frac{V_{INmin}}{V_{LED} + V_D}$$

The minimum duty cycle occurs at VIN is maximum, namely:

$$D_{min} = 1 - \frac{V_{INmax}}{V_{LED} + V_D}$$

Maximum Inductor Current (Input Current)

CN5815 measures the inductor current (Input current) by sensing the voltage across the inductor current sense resistor (RSW in Figure 1) between the source of external N-channel MOSFET and GND. So the LED current needs to be reflected back to the input in order to guarantee the correct current regulation. Based on the fact that, ideally, the output power is equal to the input power, the maximum average inductor current is:

$$I_{IN} = I_L = \frac{I_{LED}}{1 - D_{max}}$$

The internal current mode control loop will not allow the inductor peak to exceed $0.18 / R_{SW}$. In practice, one should allow some margin for variations in the CN5815 and external component values, and a good guide for selecting the peak inductor current (Input current) is:

$$I_{INpeak} = I_{Lpeak} = 1.8 \times \frac{I_{LED}}{1 - D_{max}}$$

Inductor Selection

An inductor should be chosen that can carry the maximum input DC current which occurs at the minimum input voltage. The peak-to-peak ripple current is set by the inductance and a good starting point is to choose a ripple current of 30% of its maximum value:

$$\Delta I_L = 30\% \times \frac{I_{LED}}{1 - D_{min}}$$

The inductor value should meet the requirement of the following equation:

CONSONANCE

$$L \geq \frac{V_{IN_{max}} \times D_{min}}{f_{sw} \times \Delta I_L}$$

Where, f_{sw} is the switching frequency in Hz, typical value is 330KHz.

Inductor Current Sense Resistor Selection

The CN5815 is current mode controller and use a resistor in series with the source terminal of external N-channel MOSFET to perform cycle-by-cycle inductor current sense for both the current mode control and overcurrent protection. The inductor current sense resistor is shown in Figure 1 as R_{SW} . The DRV pin will become low and turn off the external N-channel MOSFET if the voltage at the ISW pin exceeds the current limit threshold voltage $V_{SW(oc)}$ from the electrical specifications table.

So the value of R_{SW} should meet the requirement of the following equation:

$$R_{SW} \leq \frac{V_{SW(oc)}}{I_{L_{peak}}} = \frac{1 - D_{max}}{10 \times I_{LED}}$$

The CN5815 adopts peak current mode control to regulate the output voltage, which needs a compensation slope to prevent the device from sub-harmonic oscillation. In CN5815, the compensation slope is applied in a fixed amount. At ISW pin, the compensation slope is:

$$S_e = 5.5 \times 10^4 \text{ V/S}$$

To ensure that the converter does not enter into sub-harmonic oscillation, the compensation slope S_e must be at least half of the down slope of the current sense signal at ISW pin. Since the compensation slope is fixed in the CN5815, this places a constraint on the selection of the inductor current sense resistor.

The down slope of the inductor current sense signal at ISW pin is:

$$m_2 = \frac{R_{CS} \times (V_{LED} + V_D - V_{IN})}{L}$$

Where,

- S_e is the compensation slope applied to ISW pin in V/S
- m_2 is the down slope of the inductor current sense waveform seen at ISW pin in V/s
- R_{SW} is the inductor current sense resistor at ISW pin in ohm(Ω)
- V_{LED} is the LED forward voltage in volt (V)
- V_D is the forward voltage of freewheeling diode in volt (V)
- V_{IN} is the input voltage in volt(V)
- L is the inductor value in Henry(H)

Since the compensation slope must be at least half, and preferably equal to the down slope of the inductor current sense waveform seen at ISW pin, namely,

$$S_e \geq \frac{1}{2} m_2$$

Hence, a maximum value is placed on the inductor current sense resistor R_{SW} when operating in continuous conduction mode at 50% duty cycle or greater.

$$R_{SW} \leq \frac{2 \times 5.5 \times 10^4 \times L}{V_{LED} + V_D - V_{IN_{min}}}$$

As a conclusion, R_{SW} should simultaneously meet the requirements of the following 2 equations for inductor overcurrent protection and current mode control purposes:

CONSONANCE

$$R_{SW} \leq \frac{V_{SW(oc)}}{I_{Lpeak}} = \frac{1-D_{max}}{10 \times I_{LED}} \quad \text{and}$$

$$R_{SW} \leq \frac{2 \times 5.5 \times 10^4 \times L}{V_{LED} + V_D - V_{INmin}}$$

For design purposes, some margin should be applied to the actual value of the inductor current sense resistor R_{SW} . As a starting point, the actual resistor chosen should be 80% or less that the value calculated in the above 2 equations.

Current Sense Filtering

In most cases, a small filter placed on the ISW pin improves performance of the converter. These are the components R4 and C4 in Figure 1. The time constant of this filter should be approximately 100ns. R4 should be less than 2K Ω .

Freewheeling Diode Selection

For better efficiency and less power dissipation, a low forward voltage schottky diode should be used as the freewheeling diode (D1 in Figure 1), the diode must have a breakdown voltage that is a few volts higher than the LED voltage. The diode's average current should be higher than the maximum LED current, the diode's peak current should be higher than the inductor's peak current estimated by the following equation:

$$I_{INpeak} = I_{Lpeak} = 1.8 \times \frac{I_{LED}}{1-D_{max}}$$

MOSFET Selection

The CN5815 drives an external N-channel MOSFET. The voltage stress on the MOSFET ideally equals the sum of the LED voltage and the forward drop of the output diode. In practice, voltage overshoot and ringing occur due to action of circuit parasitic elements during the turn-off transition. The MOSFET voltage rating should be selected with the necessary margin to accommodate this extra voltage stress. A voltage rating of $1.3 \times V_{LED}$ provides the necessary design margin in most cases.

The RMS current flowing through the MOSFET is given as:

$$I_{RMS} = \frac{I_{LED} \times \sqrt{D_{MAX}}}{(1-D_{MAX})}$$

So the power dissipation of the MOSFET is given as:

$$PD = I_{RMS}^2 \times R_{dson}$$

Where, R_{dson} is the on-resistance of the MOSFET.

The MOSFET's power rating and on-resistance should be chosen based on the above equation.

Output Capacitor Selection

In a boost LED driver, the output capacitor requirements are demanding due to the fact that the current waveform is pulsed. The choice of component is driven by the acceptable ripple voltage which is affected by the ESR, ESL and bulk capacitance. The total output ripple voltage is:

$$\Delta V_{OUT} = I_{LED} \left(\frac{1}{f_{sw} \cdot C_{OUT}} + \frac{r_{esr}}{1-D_{MAX}} \right)$$

where the first term is due to the bulk capacitance and second term due to the ESR of output capacitor.

CONSONANCE

For many designs it is possible to choose a single capacitor type that satisfies both the ESR and bulk C requirements. In certain demanding applications, however, the ripple voltage can be improved significantly by connecting two or more types of capacitors in parallel. For example, using a low ESR ceramic capacitor can minimize the ESR step, while an electrolytic capacitor can be used to supply the required bulk C.

The output capacitor in a boost LED driver experiences high RMS ripple currents. The RMS output capacitor ripple current is:

$$I_{RMS(COUT)} \approx I_{LED} \cdot \sqrt{\frac{V_O - V_{IN(MIN)}}{V_{IN(MIN)}}}$$

Note that the ripple current ratings from capacitor manufacturers are often based on only 2000 hours of life. This makes it advisable to further derate the capacitor or to choose a capacitor rated at a higher temperature than required. Several capacitors may also be placed in parallel to meet size or height requirements in the design.

Input Capacitor Selection

The input voltage source impedance and cable length determines the size of the input capacitor, which is typically in the range of 10 μ F to 100 μ F. A low ESR capacitor or two type of capacitors in parallel is recommended.

The RMS input capacitor ripple current for a boost LED driver is:

$$I_{RMS(CIN)} = 0.3 \cdot \frac{V_{IN(MIN)}}{L \cdot f} \cdot D_{MAX}$$

Please note that the input capacitor can see a very high surge current when a battery is suddenly connected to the input of the converter and solid tantalum capacitors can fail catastrophically under these conditions.

Frequency Compensation Network Design

Figure 2 shows the AC response-related circuit of a boost LED driver using the CN5815.

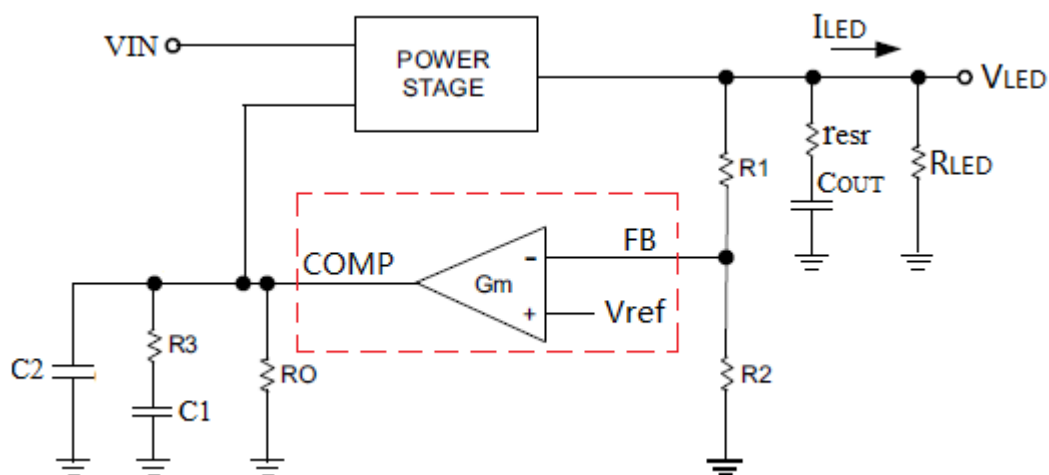


Figure 2 AC Response-Related Circuit

CONSONANCE

The inductor, output capacitor and the load R_{LED} form 1 pole and 2 zeros, they are:

- The pole formed by output capacitor and the load:

$$\omega_{p1} = \frac{2 I_{LED}}{V_{LED} C_{OUT}}$$

- The zero formed by the output capacitor and its equivalent series resistance(ESR)

$$\omega_{z1} = \frac{1}{r_{esr} C_{OUT}}$$

This zero can be neglected if low ESR ceramic capacitor is used.

- A right half plane zero at the frequency:

$$\omega_{z2} = \frac{V_{LED}(1-D)^2}{L I_{LED}}$$

In the above 3 equations, V_{LED} is the LED forward voltage, I_{LED} is the LED current, C_{OUT} is the output capacitance, r_{esr} is the ESR of output capacitor, D is the duty cycle, and L is the inductance.

In Figure 2, $C1$, $C2$ and $R3$ form the compensation network. The design procedure of the compensation network is:

Step 1: Calculate ω_{p1} , ω_{z1} and ω_{z2} based on the above 3 equations

Step 2: Determine the crossover frequency ω_c of the overall loop

For stable operation, the overall loop gain should cross 0dB with -20dB/decade slope. Due to the presence of the RHP zero, the 0dB crossover frequency should be from $0.3 \times \omega_{z2}$ to $0.4 \times \omega_{z2}$.

Step 3: Determine $R3$'s value in ohm (Ω)

$$R3 = 276.6 \cdot V_{LED} \sqrt{\frac{\omega_c^2}{\omega_{p1}^2} + 1}$$

Step 4: Calculate $C1$'s value in Farad (F)

$$C1 = \frac{1}{R3 \cdot \omega_{p1}}$$

Step 5: Determine $C2$'s value in Farad (F)

$R3$ and $C2$ form a pole used to cancel the effect of ω_{z1} . If low ESR capacitor is used for output capacitor, ω_{z1} can be neglected, hence $C2$ can be omitted. Otherwise, $C2$ can be calculated by the equation:

$$C2 = \frac{1}{R3 \cdot \omega_{z1}}$$

Board Layout Considerations

Careful PCB design is very important for correct function and good performance. For the application circuit shown in Figure 1, the following suggestions should be followed.

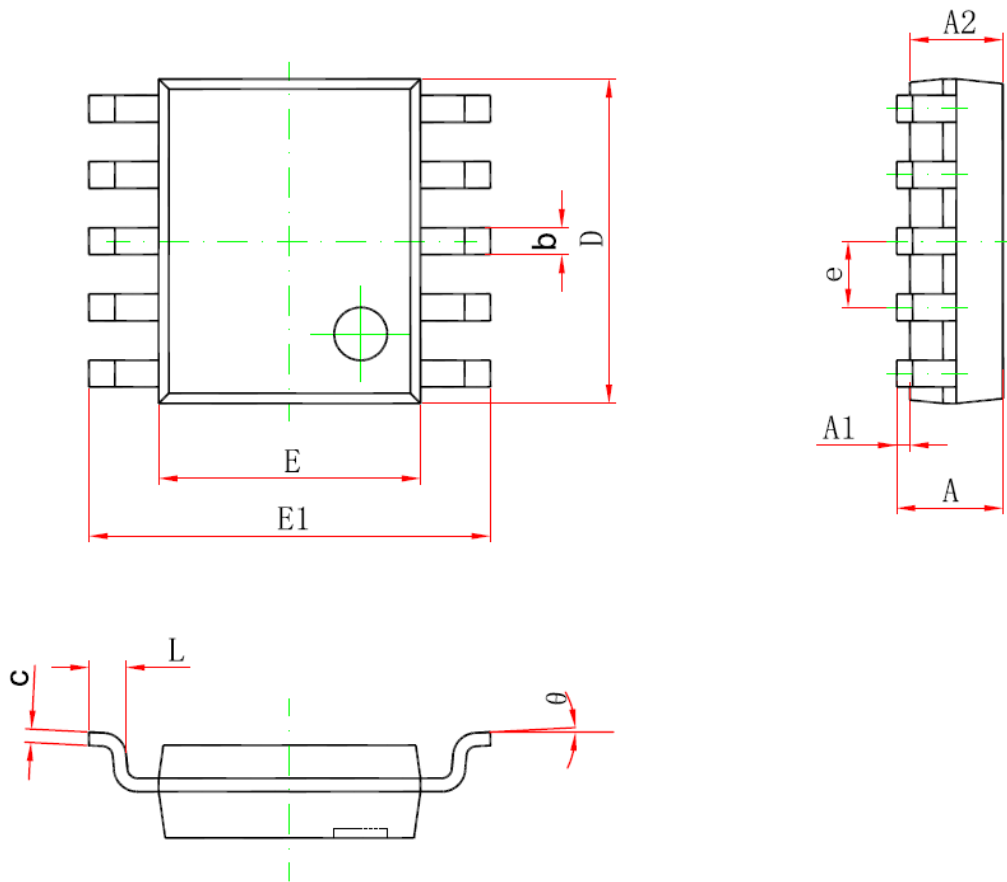
- All connections carrying large pulsed currents must be very short and as wide as possible. The inductance of these connections must be kept to an absolute minimum due to the high di/dt of the currents in the boost LED driver. This implies that the C_{IN} , inductor, MOSFET, diode and C_{OUT} should be placed in a compact area. Additionally, small current loop areas reduce radiated EMI.

CONSONANCE

- The copper plane of the MOSFET should be minimized as much as possible for less EMI.
- The ground plane for the power section of the converter should be kept separate from the analog ground plane. This implies that the negative terminal of C_{IN} , C_{OUT} and current sense resistor R_{SW} , R_{CS} must be close together.
- The CN5815's GND pin and the negative terminal of R2, C1, C2, C3 and C4 in Figure 1 should be connected together and return to the system ground separately.
- For higher LED current, multi-layer PCB is recommended.
- Place R1, R2, R3, R4, C1, C2, C3 and C4 as close to the CN5815 as possible.

CONSONANCE

Package Information



| Symbol | Dimensions In Millimeters | | Dimensions In Inches | |
|----------|---------------------------|-------|----------------------|-------|
| | Min | Max | Min | Max |
| A | 1.350 | 1.750 | 0.053 | 0.069 |
| A1 | 0.100 | 0.250 | 0.004 | 0.010 |
| A2 | 1.350 | 1.550 | 0.053 | 0.061 |
| b | 0.300 | 0.450 | 0.012 | 0.018 |
| c | 0.170 | 0.250 | 0.007 | 0.010 |
| D | 4.700 | 5.100 | 0.185 | 0.201 |
| E | 3.800 | 4.000 | 0.150 | 0.157 |
| E1 | 5.800 | 6.200 | 0.228 | 0.244 |
| e | 1.000 (BSC) | | 0.039 (BSC) | |
| L | 0.400 | 1.270 | 0.016 | 0.050 |
| θ | 0° | 8° | 1° | 8° |

Consonance does not assume any responsibility for use of any circuitry described. Consonance reserves the right to change the circuitry and specifications without notice at any time.