



PFC Device Corporation

P5L45F-A

5A 45V MOS Schottky Rectifier

Major ratings and characteristics

Characteristics	Values	Units
$I_{F(AV)}$ Rectangular Waveform	5	A
V_{RRM}	45	V
V_F @ 5A , $T_J=125^\circ\text{C}$	0.45	V, typ.
T_J Operating Junction Temperature	-65 to +150	$^\circ\text{C}$

Features

- Low Forward Voltage Drop
- Reliable High Temperature Operation
- Softest, fast switching capability
- 150°C Operating Junction Temperature
- Lead Free Finish, RoHS Compliant
- Green Molding Compound (No Br, Sb)

Typical Applications

Device optimized for low forward voltage drop to maximize efficiency in Power Supply applications



1. Characteristics

Maximum Ratings Characteristics ($T_A = 25^\circ\text{C}$ unless otherwise specified)

Parameter	Symbol	Values	Units
DC Blocking Voltage	V_{RM}	45	Volts
Working Peak Reverse Voltage	V_{RWM}		
Peak Repetitive Reverse Voltage	V_{RRM}		
Average Rectified Forward Current Per device (Rated VR-20Khz Square Wave) - 50% duty cycle	I_o	5	Amps
Peak Forward Surge Current - 1/2 60hz	I_{FSM}	150	Amps
Peak Repetitive Reverse Surge Current (2uS-1Khz)	I_{RRM}	2	Amps
Typical Thermal Resistance	$R\theta_{JL}$	30	$^\circ\text{C} / \text{W}$
Thermal Resistance junction to Ambient Note (1)			
Maximum Rate of Voltage Change (at Rated VR)	dv/dt	10000	V/uS
Operating Junction Temperature	T_J	- 65 to +150	$^\circ\text{C}$
Storage Junction Temperature	T_{STG}	- 65 to +150	

Electrical Characteristics - (per leg) ($T_A = 25^\circ\text{C}$ unless otherwise specified)

Parameter	Test Conditions	Symbol	Typ.	Max.	Units
Instantaneous Forward Voltage	IF = 1.0 A	V_F^*	0.34	----	Volts
	IF = 2.5 A		0.39	----	
	IF = 5.0 A		0.47	0.51	
	IF = 1.0 A		0.23	----	
	IF = 2.5 A		0.32	----	
	IF = 5.0 A		0.44	----	
Instantaneous Reverse Current	At V_{RM}	I_R^*	54	300	μA
			----	35	mA

* Pulse width < 300 uS, Duty cycle < 2%

Note 1. FR-4 PCB, 2 oz Copper. Minimum recommended pad layout



Characteristics Curves

Partings and Characteristics Curves

(TA = 25°C unless otherwise specified)

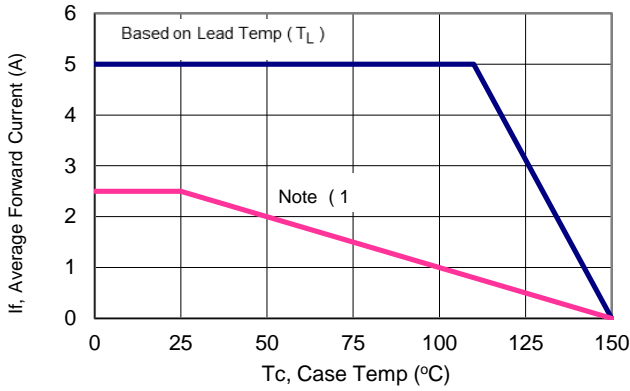


Figure 1: Current Derating, Case

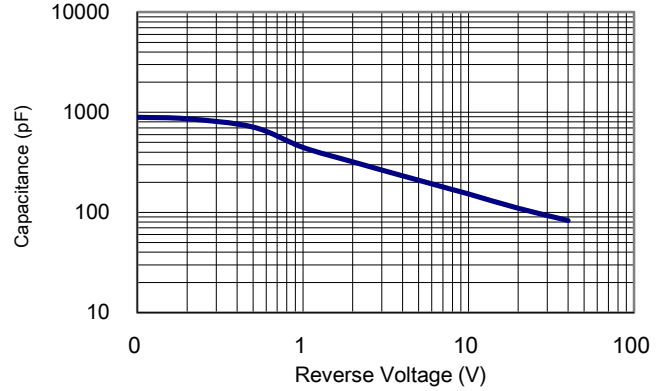


Figure 2: Typical Junction Capacitance

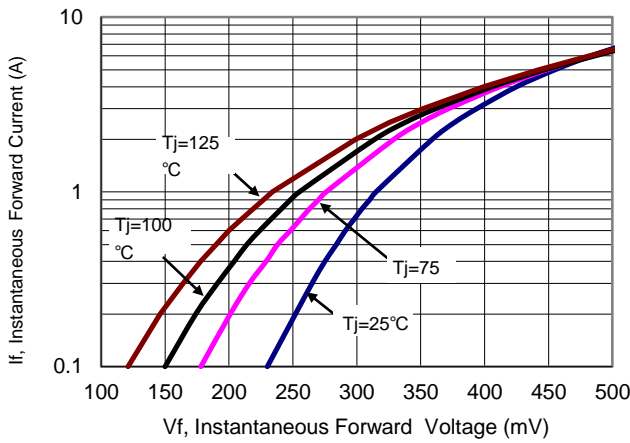


Figure 3: Typical Forward Voltage

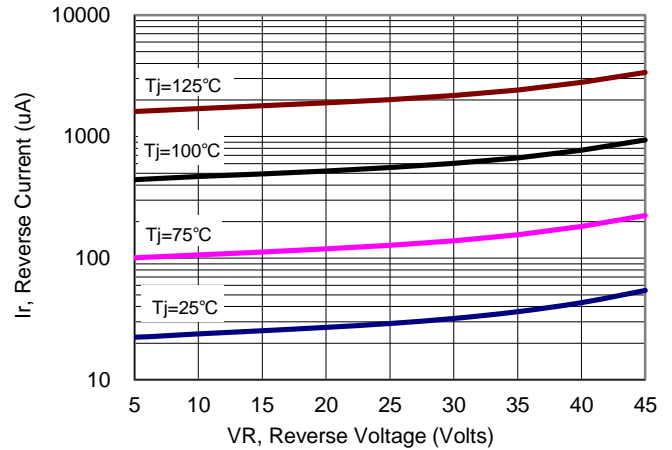
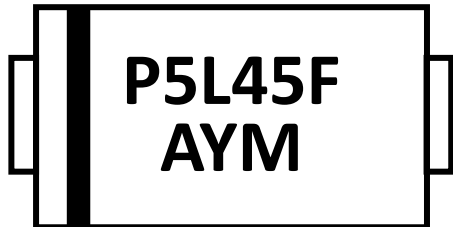


Figure 4: Typical Reverse Current



2. Marking information

Top Marking Rule



P5L45F = Product Type Marking Code

A = Assembly Code

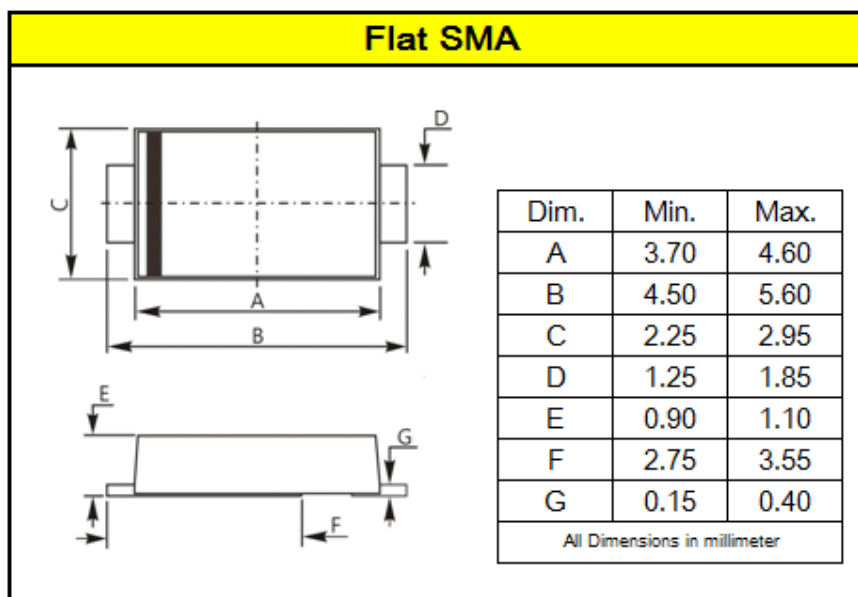
YM = Date Code

Y = Last one digits of year

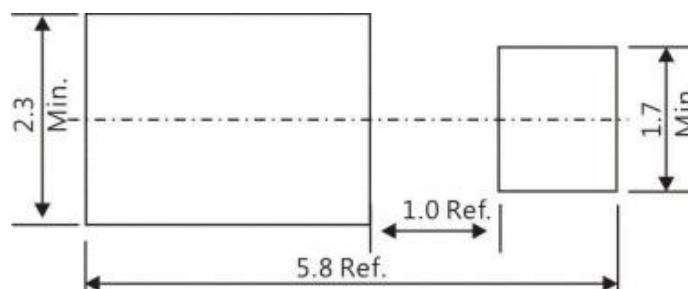
M = Month code

3. Package information

Suggested Package Outline Dimensions millimeters

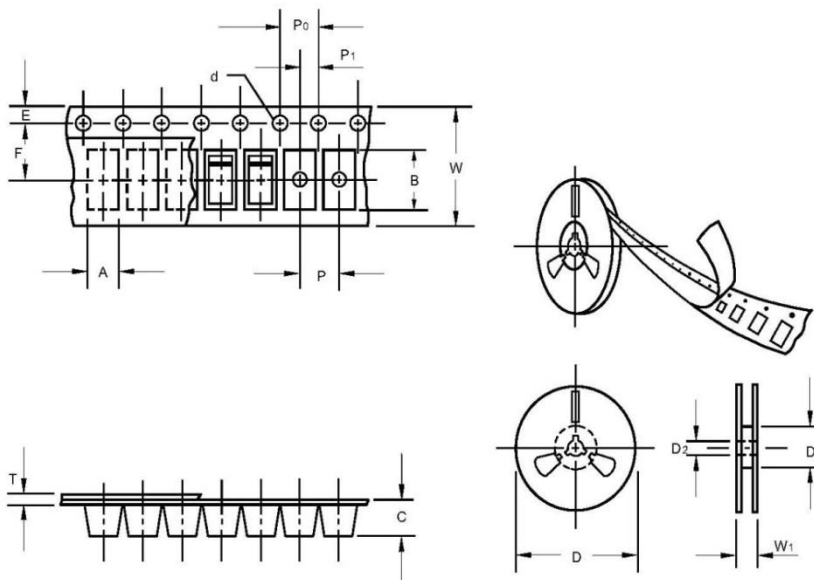


Mounting pad Outline Dimensions millimeters



4. Packing and Ordering information

Packing information millimeters



Item	Symbol	Dimension
Carrier width	A	2.79±0.15
Carrier length	B	5.10±0.15
Carrier depth	C	1.40±0.15
Sprocket hole	d	1.55±0.10
Reel outside diameter	D	330.0±1.0
Reel inner diameter	D1	75±1.0
Feed hole diameter	D2	13.5±1.0
Stocket hole position	E	1.75±0.10
Punch hole position	F	5.5±0.05
Punch hole pitch	P	4.0±0.10
Sprocket hole pitch	P0	4.0±0.10
Embossment center	P1	2.0±0.10
Total tape thickness	T	0.3±0.10
Tape width	W	12.0±0.15
Reel width	W1	18.1±1.5

Ordering information

Part Number	Package	Base Quantity	Delivery mode
P5L45F-A	Flat SMA with heat sink	10000	13" diameter plastic tape and reel

Mechanical

- Case: SMAF-A (Flat SMA with heat sink)
- Molder Plastic: UL Flammability Classification Rating 94V-0
- Device Weight : 0.0012 ounces (0.033grams) – SMAF-A

PFC Device Corp reserves the right to make changes without further notice to any products herein. PFC Device Corp makes no warranty, representation or guarantee regarding the suitability of its products for any particular purpose, nor does PFC Device Corp assume any liability arising out of the application or use of any product or circuit, and specifically disclaims any and all liability, including without limitation special, consequential or incidental damages. "Typical" parameters which may be provided in PFC Device Corp data sheets and/or specifications can and do vary in different applications and actual performance may vary over time. All operating parameters, including "Typicals" must be validated for each customer application by customer's technical experts. PFC Device Corp does not convey any license under its patent rights nor the rights of others. PFC Device Corp products are not designed, intended, or authorized for use as components in systems intended for surgical implant into the body, or other applications intended to support or sustain life, or for any other application in which the failure of the PFC Device Corp product could create a situation where personal injury or death may occur. Should Buyer purchase or use PFC Device Corp products for any such unintended or unauthorized application, Buyer shall indemnify and hold PFC Device Corp and its officers, employees, subsidiaries, affiliates, and distributors harmless against all claims, costs, damages, and expenses, and reasonable attorney fees arising out of, directly or indirectly, any claim of personal injury or death associated with such unintended or unauthorized use, even if such claim alleges that PFC Device Corp was negligent regarding the design or manufacture of the part.

