



CROWN

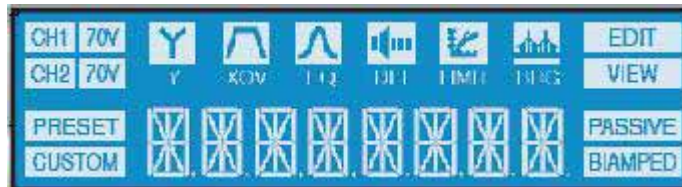
Service Manual ***XTi Series***



Table of Contents

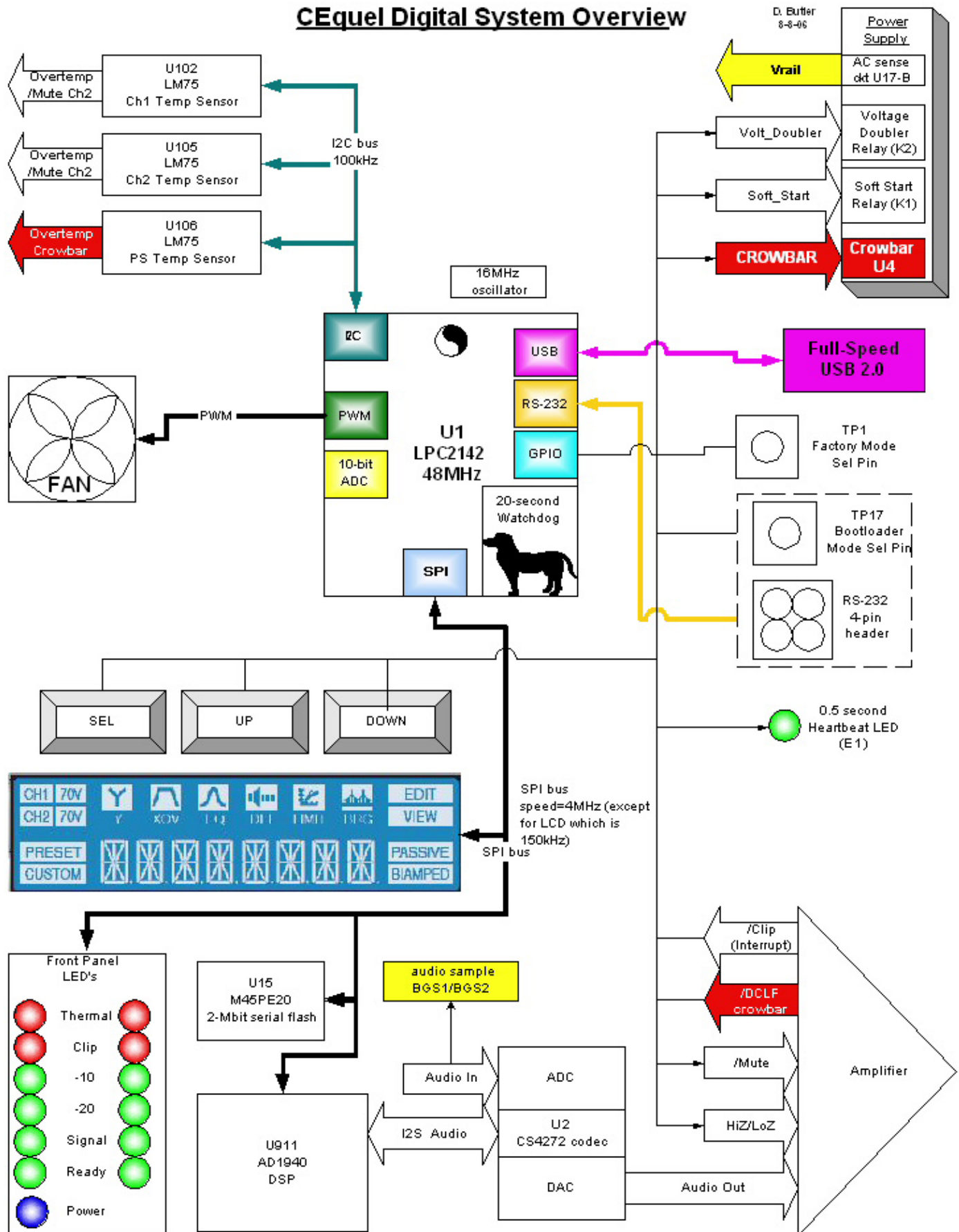
Section 1.....	Digital systems Overview
1.1.....	Amplifier Operation
1.2.....	Power Supply Operation
1.3.....	Tracker Supply Operation
Section 2.....	Assembly Drawings
2.1.....	XTi1000 PWA BOM 139087-14
2.2.....	XTi1000 Schematic 139087-14
2.3.....	XTi2000 PWA BOM 139086-14
2.4.....	XTi2000 Schematic 139086-14
2.5.....	XTi4000 PWA BOM 138349-14
2.6.....	XTi4000 Schematic 138349-14
Section 3.....	Firmware Notes
Section 4.....	Tech Notes

CEqual Digital Systems Overview



CEquel Digital Systems Overview

CEquel Digital System Overview



CEquel Digital Systems Overview

Modes of Operation

The CEquel microprocessor, LPC2142 can function in several different modes of operation. This document will describe what those modes are, how to get to them and how to use them. The Modes are listed below along with a brief description.

Mode Name	Description
Normal	Normal Operating Mode, default
Board Level Test	Factory Only, part of functional test, (No line voltage present)
Chassis Level Test (Self Test)	Quick factory test (part of light zap)
Chassis Diagnostic Test (Amp Indo –Diagnostics)	More detailed information about the current amp operation
Bootloader Mode	Used to reprogram the microcontroller flash memory
Front Panel Lockout	Disables the front panel push buttons for security. Can be entered from front panel buttons or software.

Normal Mode:

This is the default mode of operation. The heartbeat LED (E1) should be beating at about 1Hz (500ms on, 500ms off).

Board Level Test Mode:

Entered by pulling TP1 low at power up.
Exit by pulling TP1 high.

Operation

- Turn all front panel LED's ON
- Turn all LCD segments ON
- Set the fan PWM to maximum
- Set the Soft_start relay OFF (assumes no line voltage is present).
- Only used by MFT

Chassis Level Test Mode (Self Test):

Entered by powering up the unit with the PREV button pressed.
Exit by successfully pressing all three buttons

Operation

- Turn all front panel LED's ON
- Turn all LCD icons ON and display "PRESS ME"
- Set the fan PWM to maximum
- Button Check Display which menu button is pressed.

After exiting this mode, the main program should go get valid LM75 temperature readings and update the fan speed. If the amp is cool, it should turn the fan off

CEquel Digital Systems Overview

Chassis Diagnostic Test Mode (Amp Info – Diagnostics):

NOTE: This mode is available to all users.

Entered by pressing all three front panel buttons for > 3 seconds.

Exit by successfully pressing SEL at any time.

IMPORTANT!!!!: When you are in the “AMP INFO” screens, the firmware is NOT running thru all of the normal routines. Clip check is called, but not as fast as normally, you will see more clipping. The thermal limiter and fan should work just fine. The heartbeat LED and front panel LEDs will not update. The clip limiter and governor are also not running.

Operation

Display the present Power Supply measured temperature in degrees C

Display the present Ch1 measured temperature in degrees C

Display the present Ch2 measured temperature in degrees C

Display the present Firmware rev level (read from serial flash)

Bootloader Mode:

Entered by pulling TP17 low during power up.

Exit by cycling the power.

Operation

Used to download new firmware to the LPC2142. It copies an internal boot-loader from flash to RAM, where it executes. It erases the on-chip flash, and reprograms it. See the Programming document for more details. It is impossible to corrupt this boot-loader. It resides at a special location in internal Flash that is not accessible to anything. This should ALWAYS work!

Front Panel Lockout:

Entered by holding UP and DOWN buttons down simultaneously.

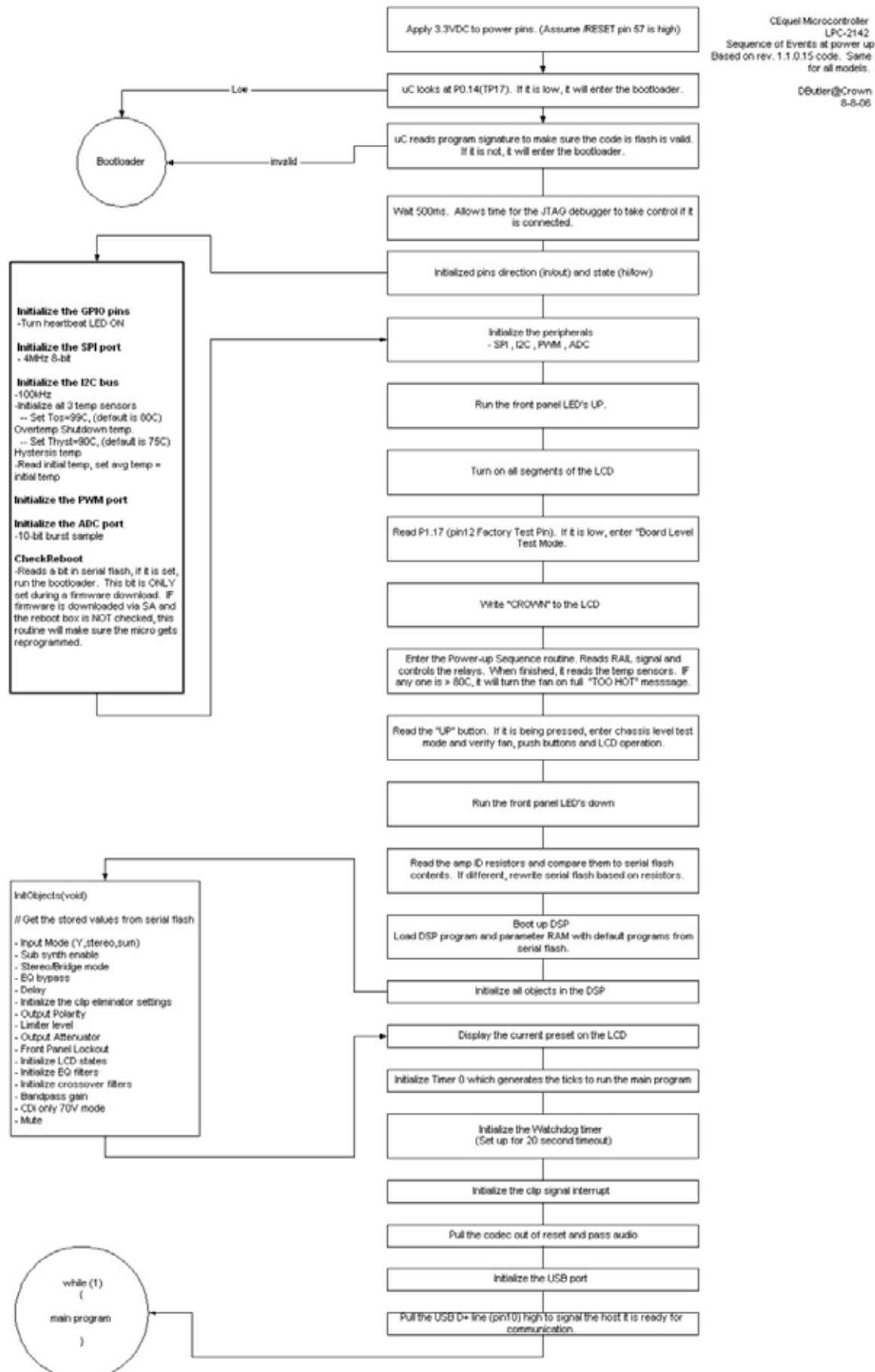
Exit by holding UP and DOWN buttons down simultaneously.

Operation

After holding down the up and down buttons for about 3 seconds, the LCD will display “LOCKED”, this indicates the amp is now in lockout mode. If any button is pressed, no action will be taken, except to display the “LOCKED” message.

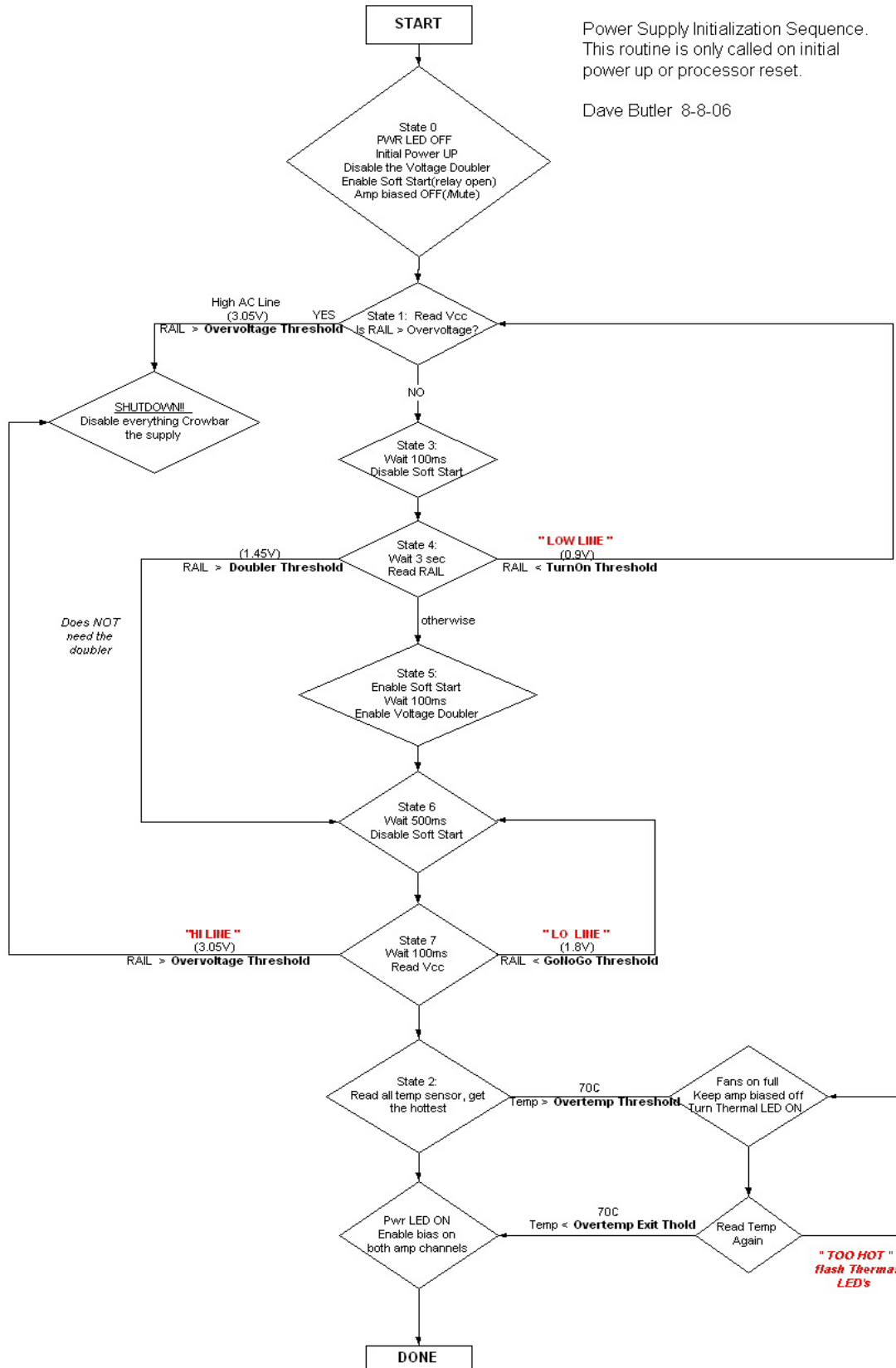
Message Note: The front panel lockout buttons are disabled by software. The software will supersede the front panel. So, holding down the up and down buttons will NOT disable front panel lockout mode. When enabled from software, it can ONLY be disabled from software. This operation is consistent with the ITech.

CEquel Digital Systems Overview



CEquel Digital Systems Overview

Power-up Sequence for CEquel (XTi_DSi_CDi) Firmware Version 1.1.0.15



CEquel Digital Systems Overview

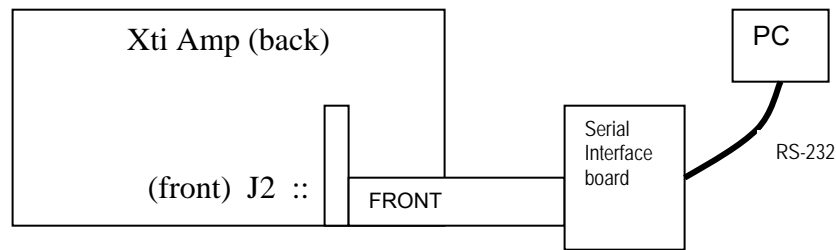
Updating Firmware

RS-232 Method

Part 1. If the microcontroller (U1, LPC2142) has NEVER been programmed before

Connect the Serial 4-pin header to J2.

IMPORTANT!! The header MUST be connected with the correct polarity or fatal damage can result. Pin 1 on the header should be connected to pin 1 of the connector. See figure below:



To program a new device connect the header to J2 and apply power. TP17 does NOT have to be pulled low because the micro does not have a valid program to run and will therefore automatically enter bootloader mode.

Open up the Philips Flash Utility Program (version 2.2.2)

Under Flash Programming, make sure the correct file is selected to download.

Select the Device (LPC2142),

Select the XTAL Freq. (kHz): 16000

Select the Erase Entire Device button

Select the correct file to load: (currently **XTI_LPC_01_00_08b.hex**)

Press the Read Device ID button. The Part ID and Bootloader ID will show up. If they do not and this operation times out, then most likely, the device is not in bootloader mode, there is something wrong in the configuration or setup or the cable is not correctly connected. If the device is not in bootloader mode proceed to Part 2.

Select Upload to Flash and the programming will start.

After it is finished you may select Compare Flash. This will read back the flash memory and compare it to what was just programmed (Pass/Fail)

Cycle the Power to the amp and close the Flash Utility Program.

CEquel Digital Systems Overview

Part 2. If the microcontroller (U1, LPC2142) has been previously programmed.

To reprogram a device, it is first necessary to put it in bootloader mode. This is done by shorting TP17 to ground during a power up. After the unit powers up, the ground can be removed or left connected, doesn't matter. (Hint: Use a test lead connected to TP5(GND) on one end and TP17 on the other). The LCD should be blank.

Again follow the steps in Part 1 to connect the Serial interface board to J2 and open the Philips Flash Utility.

Press the Read Device ID button. The Part ID and Boot Loader ID should be displayed. Again follow the steps in Part 1 to send new firmware. If this does not work, there is most likely a hardware problem, check for shorts, correct power, bridges, other hardware problem.

To verify serial flash and check the current firmware version number

At any time hold down all three front panel buttons for at least 3 seconds. This puts the amplifier into a diagnostic mode. NOTE: While in this mode the front panel LED's will NOT be updated. Also, the governor is disabled. Use the Next and Prev buttons to scroll thru the displays. They are outlined below:

Screen 1: Power Supply Temperature Sensor Read out in degrees C
Screen 2: Ch1 Temperature Sensor Read out in degrees C
Screen 3: Ch2 Temperature Sensor Read out in degrees C
Screen 4: Firmware version number read back from Serial Flash (eg. 1. 1. 0.15)

NOTE: The temperatures displayed are the raw unprocessed readings. They are updated approximately every 600ms and should be accurate.

LCD display looks to be corrupted.

If the text on the LCD looks to be bogus, it most likely is because the serial flash is blank or corrupt or is out of sync with the microcontroller program.

This problem can be resolved by updating the firmware via USB. This method ensures that both the serial flash and microcontroller are reprogrammed.

CEquel Digital Systems Overview

Programming the microcontroller (U1) and serial flash (U15) via USB

- ❑ Connect the amplifier to a PC via USB.
- ❑ Open up the CLoader Utility 2.10 or newer
- ❑ If fw is older than 1.0.22.0 send .hex file. Otherwise, send .s file

How to Use the CLoader Utility

Instructions:

Simply run this utility with an amplifier connected to USB, it should show up in the dialog window. If it does not, unplug the USB cable, cycle power on the amp, plug in the USB cable again and try again.

If amplifier still does not show up, verify that the D+ USB data line is pulled high thru R19. With the USB cable unplugged, use a meter to measure R19, it should be pulled up to +3.3V thru Q23. Pulling this line high tells the USB host that the device is ready for communications.

After the amp shows up in the window, select "Load File" and select the firmware file to be downloaded. Wait for amp to reboot and download successful display.

***** To run from a command line *****

Simply type the name of the utility space and the name of the file to be loaded.

When run from a command line, it creates a file named "LdrError.txt". There is a number inside this file as follows:

- 0 - Success
- 1 - Amplifier not found
- 2 - File invalid or not found
- 3 - USB communications error
- 4 - Abort Button pressed

The loader terminates upon encountering an error, or when successfully programming the amplifier. The error file is blown away if found when the loader starts, and is written just before it terminates.

It helps to have the utility and firmware file in the same directory and with no spaces in the folder names. If there are spaces, use " " around the path name.

CEquel Digital Systems Overview

***** Revision History *****

Version 1.03

Supports command line calls. Writes error log. displays message when finished

Version 1.04

Added the word "Delay" in the title bar, so there is no confusion about the version to use. The text also indicates that it's finalizing before it puts up that programming has completed successfully after the 5 second delay. The Amplifier is almost through its rebooting process at this point, but it's probably safe to shut down.

Version 1.06

When it is done uploading firmware, if the amplifier does not already have a serial number it generates one using the Windows API function and sends it to the amplifier. If the Amplifier already has a serial number, it reports that back as well.

Version 1.07

Fixes bug with USB version number if > 1.000. Supports both .bin and .hex file downloads. NOTE: This loader only works with .hex files. DO NOT try to load .bnd or bin files with this utility.

Version 2.10

Supports both .hex and binary .s file downloads. The hex file is required for updating amps with older firmware 1.0.22.0 and older. The serial number check and programming is done much quicker in this version as well. This version will not allow you to download a hex file to an amp with program version number 1.0.22 or later.

Where do I find all this stuff??

-The place to look for production released firmware is the ProductionProgrammingFiles folder. This is where we store the released version of firmware for all products. It can also usually be found in the forums section of the Crown web site (www.crownaudio.com)

-The next place to look would be my share drive. I usually keep beta firmware and different versions of the CLoader Utility there.

//butler/ShareNew/CEquel_Files

- If you wish to run the System Architect Software application to monitor/control the devices, that can be found either on my share drive or the HiQnet web site. The web site will only provide "Released" versions of the software while my share most likely will have a beta version (read as "buggy, use Beta at your own risk!!, operation NOT guaranteed").

CEquel Digital Systems Overview

Quick explanation of firmware update operation (Bootloaders)

There are two sources of non-volatile flash on the CEquel amps.

1. 64kBytes of on-chip flash on U1 the microcontroller. (Program)
2. 2M-bits (256 kBytes) of serial flash U15. (Program and Data Memory)

When firmware is loaded via RS-232, it uses a very low level bootloader on the microcontroller and only the on-chip flash is reprogrammed. The serial flash is not changed.

When firmware is loaded via USB, it uses a high level bootloader written by me and it runs in RAM. It follows this sequence of events.

1. Start receiving the firmware download packets via USB
2. After 256-bytes (1-page) have been received, program that page in serial flash.
3. After the serial flash has been completely reprogrammed, the download is finished
4. Set the reboot flag in serial flash.
5. Load the bootloader from on-chip flash to RAM and jump to it.
6. Erase the entire on-chip flash
7. Program the on-chip flash with the data stored in Sector 3 of serial flash
8. When finished clear the reboot flag and go to an infinite loop and wait for the watchdog to time out and reboot.

You can see the the most critical steps are 5 and 6. This is the only place you can really screw things up. If something goes wrong in steps 5 or 6 and they can not complete, you will have to reprogram the micro using the RS-232 method.

Notice in step 4 a reboot flag is set, this was implemented because the current firmware update utility in System Architect can NOT guarantee a reboot command will be sent and thus a complete firmware update. The reboot flag is only cleared after the micro on-chip flash has been successfully reprogrammed. This flag is checked at every power up. If it is set, the bootloader will be called.

If a USB download is interrupted, it should not cause any fatal problems. I will simply leave the serial flash in some undefined state. The micro should boot-up normally. However, the DSP program and parameter can be corrupted causing serious problems (although most likely it will not pass audio). Also the LCD will most likely appear to look corrupted, because any LCD segment can be on or off given bogus data in serial flash. Most importantly, the micro should run and another USB firmware download can be attempted.

CEquel Digital Systems Overview

Serial Flash Memory Map (M45PE20)

Sector 3	U1 LPC2142 Microcontroller Program Code 65,535 bytes Loaded into U1 on-chip flash by bootloader
Sector 2	Unused
Sector 1	Misc Data
	Limiter Tables
	LCD character look-up table
	FW version #
	Preset Names
Sector 0	DSP Preset 1-20 81820 bytes
	DSP Program 7680 bytes

CEquel Digital Systems Overview

Protection Features

□ Thermal Limiter

The thermal limiter should have the following profile. The limiter threshold should be ramped down very smooth and slow to -24dB (0.25 dB/sec). The release from -24dB to 0 should also be very smooth and slow (0.125 dB/sec). The jump to -36dB and -42dB will be quick and fast, however, the output should be squashed down so much at this point, I don't think it will be a problem.

Heat Up

- = 80C Turn the front panel red thermal LED ON
- = 81C Slowly ramp down -3dB
- = 82C Slowly ramp down -6dB
- = 83C Slowly ramp down -9dB
- = 84C Slowly ramp down -12dB
- = 85C Slowly ramp down -15dB
- = 86C Slowly ramp down -18dB
- = 87C Slowly ramp down -21dB
- = 88C Slowly ramp down -24dB
- > 90C Flash the LCD message "OVR TMP"
- = 92C Set limiter to -36dB
- = 98C Set limiter to -42dB
- = 99C Flash the LCD message "TMP MUTE" and mute that amp ch
- = 110C Fire the Crowbar and shut the amp down (last chance protect)

Cool Down

- = 96C Unmute amp channel, Limiter set to -42dB – Flash "OVR TMP"
- = 92C Set limiter back to -36dB
- = 90C Set limiter back to -24dB
- < 90C Stop Flashing "OVR TMP"
- = 86C Very Slowly ramp up to -21dB
- = 85C Very Slowly ramp up to -18dB
- = 84C Very Slowly ramp up to -15dB
- = 83C Very Slowly ramp up to -12dB
- = 82C Very Slowly ramp up to -9dB
- = 81C Very Slowly ramp up to -6dB
- = 80C Very Slowly ramp up to -3dB
- = 79C Very Slowly ramp up to 0dB Turn the front panel red Thermal LED OFF

CEquel Digital Systems Overview

□ Clip Eliminator

The clip eliminator is based completely on the clip signal from the amplifier. The DSP/uP has no other information about output signal of the amplifier. Given the latency of the amplifier and conversion stages, the fastest the output signals can be limited is about 15ms. So if a heavily clipped signal comes out of the amplifier, gain reduction will not start until about 15ms later. So.... the clip limiter is not perfect, in fact it is quite crude. Here is how the clip limiter algorithm will adjust the limiter threshold based on clip events. The clip signal is detected by an ISR(Interrupt Service Routine), which simply counts clip events (VERY FAST), almost never misses. The clip limiter routine is called every 100us and adjusts the limiter threshold; so the limiter threshold can be adjusted quite quickly. Also, the amplifier generates the clip signal at every zero crossing. For example, a clipped 20k sine waveform(Period=50us), will generate 4 clip events every 100us, one for each zero crossing. The clip eliminator routine will adjust the limiter based on this number of clip events.

1 st clip event	Set limiter threshold to 0.0dB
2 nd clip event	Set limiter threshold to -0.2dB
3 rd clip event	Set limiter threshold to -0.3dB
4 th clip event	Set limiter threshold to -0.4dB
5 th clip event	Set limiter threshold to -0.2dB
6 th clip event	Set limiter threshold to -0.3dB
7 th clip event	Set limiter threshold to -0.4dB
8 th clip event	Set limiter threshold to -0.5dB
9 th clip event	Set limiter threshold to -0.6dB
10 th clip event	Set limiter threshold to -0.7dB
13 th clip event	Set limiter threshold to -1.0dB
:	
:	
23 rd clip event	Set limiter threshold to -2.0dB
43 rd clip event	Set limiter threshold to -3.0dB
83 rd clip event	Set limiter threshold to -4.0dB
:	
:	
243 rd clip event	Set limiter threshold to -24.0dB

Actually, the maximum gain reduction provide by the clip limiter is based on the amp model. The 1000 amplifiers will only provide -9.0dB, while the 2000 and 4000 will go all the way down to -24dB.

The clip LED has also been somewhat desensitized. A single clip event will not fire the LED. To turn the clip LED on, there must be more than 2 clip events occur in a 100us period.

If the amp is in bridge mode, only the ch1 clip eliminator routine is used. A clip event on either ch1 or ch2 is used.

CEquel Digital Systems Overview

□ Shorted Output Protection (2000/4000 models only)

This is really an extension of the clip limiter. It is based on the number of clip events. If the clip eliminator routine has counted 243 clip events and run the limiter all the way down to -24dB, it continues to count clip events. If the clip count gets up to 5243 (approximately 500ms after full attenuation), then a "SHORT" routine is entered. The channel is muted, the ready LED turned off and a message is displayed on the LCD "SHORT 1"; 1 for ch1 or a 2 for ch2. If the amp is in bridge mode, both channels should mute and the display message will be for ch1.

The amp channels are held in mute for one second. After that, they are unmuted, if the short condition persists, they are muted again. The amp should be capable of enduring this condition indefinitely. Because during a short condition, there is no output voltage, the tracker will keep the rails at the minimum 30V, so amplifier is not in a highly stressful state.

□ Crowbar

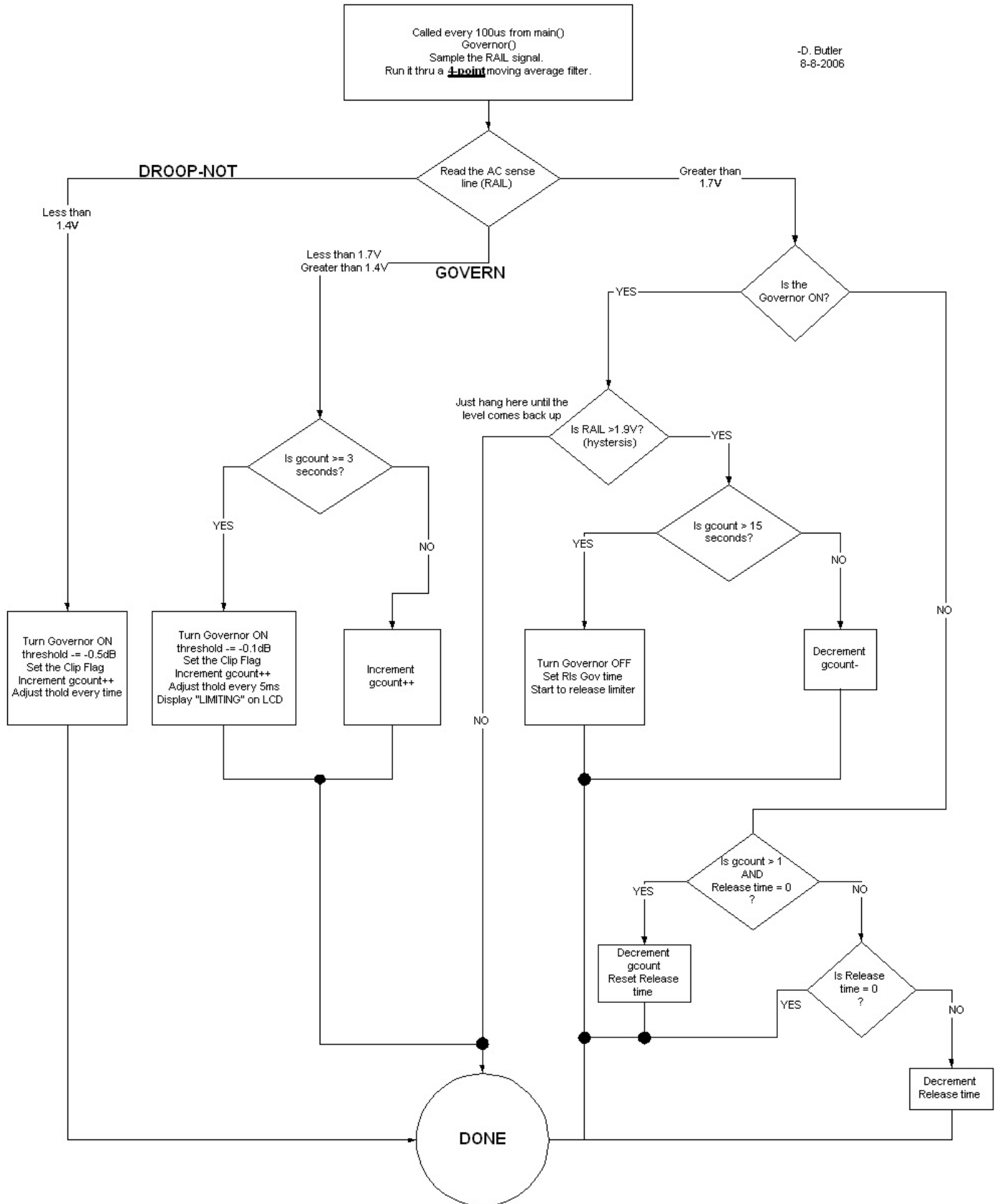
The microcontroller has 3 different conditions that can cause it to fire the crowbar and shut down the amplifier. Firing the crowbar is considered a fatal event and the amp must be power cycled to recover from it.

1. Overtemp: If any temp sensor reads $\geq 110^{\circ}\text{C}$.
2. DCLF: If the DCLF signal goes low for $\geq 90\text{ms}$.
3. If the AC sense line (RAIL signal) is $\geq 3.0\text{V}$ (approx. 300VAC on AC line)

CEquel Digital Systems Overview

Governor Algorithm for CEquel (XTi_DSi_CDi) Firmware Version 1.1.0.15

-D. Butler
8-8-2006



Section 1.1

Amplifier Operation

Cequal Amplifier Operation Details

Rev A 8-28-2006 AA

1.0 OVERVIEW

Note: Sketches and waveform tifs have been added to this section to clarify the various concepts related to the amplifier and its system level behavior.

For XTI 1000 and DSI 1000 amplifier schematics with voltage and currents references, use channel 1 of 139087-6ref.tif which is sheet 4.

Amplifier heat sinks are tied to +/- Vbulk.

For XTI2000, DSI2000, CDI1000, CDI2000 amplifier schematics with voltage and currents references, use channel 1 of 139086-6ref.tif which is sheet 4.

Amplifier heat sinks are tied to moving tracker voltages. Below is using 138086-6ref.tif channel 1 of XTI2000 (Also, see REPAIRnotes.txt) and (Notes below) for root cause and repair.

Functional Blocks Description

1) Amplifier stages

a) Biasing and Mute_1not

Bias is developed with the general components D117, D118, Q100, R104, D134, R182, C102, R107, and Q102. Bias is on when D117 and D118 are allow to conduct, so the **base of Q100** will sit at about +2.4Vdc (4 diode drops.). This **is a 3rd state** node, it gets control from the DSP via Mute1_not, normally +3V (ON), 0V (OFF), the LM75 sensor under HS1 (+Vbulk) sink at +3V (ON) when not over temp, about 100 deg C, and the DCLF / Low Vbulk comparator U103A,B also in a high output (pulled up thru R325 to +15V) state. All four controls must be good in order for bias to come up. If all four controls are good, than Q100 base will be about **+2.4Vdc**. If the Mute1_not is good from the DSP, and the comparator Q103 goes low due to either low Vbulk (< 60% of nominal rail +/- voltage) or too much DC for too long a time on the amplifier output terminals then Q100 base (10Hz@vmax) will go to about **+1.0Vdc** from the +2.4V. At that moment when Q100 base went down to the **2nd state**, Q100 is off but C102, the hold-up cap is now discharging. If the DC on the output of the amplifier is there long enough and/or high enough level then C102 will discharge enough to cut the bias to off and mute the amplifier and let its output return back to zero volts. Thus C102 lets some DC for a level and time before a protect via mute is activated. If the DSP or the LM75 sensor tells the amplifier to mute, **3rd state**, but not the local comparator DCLF path then when they go low the base of Q100 will be about **0-0.6Vdc** negative, being clamped there by D126. Time estimates for C102 from a mute command to actual mute is about 30ms. If a large LF output is there but not long enough you might see a DCLF at U103 but C102 will still hold up the bias. Mute1_not could be a write or a read state line.

b) Input differential stage

The differential input stage consists of Q103, Q104, and Q116 and Q134, getting its bias from Q102. Q102s current source is divided evenly to Q103 and Q104. The bases of Q116 and Q134 are set to about -13.5v with R78 and R79. This locks the collectors of both Q103 and Q104 to about -13V no matter what. This removes high and unequal voltages from them. So Q116 and Q134 just pass current and take the heat. See note 1 below for Q116 and Q134.

c) Error gain amplifier and bias servo

The error gain amplifier and bias servo are set up with Q105, Q107, with the measurable amplified error signal of the total amplifier at the opposite end of R133 from Q105 (see note 3). Operating currents of this stage is scaled for higher voltage product over the XTI1000. It is gated and controlled the bases of Q107 and Q108 (A and B on the schematic, with approximate voltages with respect to C the -Vbulk.). Q141 (in high voltage units) is for distributing the

voltage stresses on Q105 and Q107. The temperature compensated servo transistor Q109 is located under the same heat sink (+) and near the LM75. The bias set string with D174, R180, R144 and R179 run about 400ua and are not under that heat sink. With the pot R144 centered an bias on the collector to emitter voltage of Q109 measured across C109 should land about 1.9 to 2 volts. C109 provides filtering and holdup charge. Q108, Q106, R135 and R142 set the servo and pre-driver (Q112 and Q113) currents (see note 2). C108 is slew rate limiting. Bias can be measured across the two TO-220 heat sinks and may be set (at room temp) to about 0.8v +/- .05V. See note 4.

d) Pre-driver, driver Stage and TO-3 outputs.

Pre-dirvers Q112 and Q113 , when bias is on are biased on with R147 and R148 (see note 5) to about 1.8ma via drivers Q114 and Q115 whose currents are about 6 to 7ma. Their collectors are tied to the TO-220 sinks (see note 6). In any product these sinks at idle should not produce much heat to the touch. About 0.5 watts each at idle. The TO-3 devices are normally off, class B mode. Diodes D180, D181, D182 and D191 across R150 reduce common mode currents of the output devices (see note 6).

e) Output filter and feedback paths and Output loading information

The Output de-coupling inductor L100 and Rs and Cs around it form the filter. The amplifier feedback lines are in pcb foil and with 1 ohm connecting resistors for remote sense location depending on the product and output connector location. On a product with both speakons and binding posts , the feedback connections are referenced off the binding posts (SPECS). High side low frequency feedback is R84. High side high frequency feedback is C65. Low side low passed remote sense feedback is thru R87 (note 7).

On the larger Tracker based units (note 8) the use of a load of at least 24 ohm (suggested for THD1 test) , maybe 32 ohm (not higher) is needed due to a tracker based gate drive charge pump in order to get proper tracker voltage drive to the amplifier rails otherwise positive rail clipping might occur causing DSP compression off of the clip_not function.

Suggested amplifier loading for initial system verification is 24 ohms and starting with the THD1 test specified at MFT. Units that start and crowbar immediately for an unknown reason should be without a load and then re-started.

Non tracker based units (1000s) have a full VI limiter and can drive inductive loads at low levels. Loads down to 1 ohm can be driven as well but due to the VI term the allowed output voltage peak collapses to less than 25v and thus for the non-tracker based units use of a 1 ohm load will not give the a peak current limit you might expect off a data sheet 2 ohm power number.

Tracker based units have no V term in the limiter so a 1 or a 2 ohm (better) load may be used to witness the true peak current limit. Tracker based can drive 45 degree inductive loads but a pure inductor or torture load is not really recommended at this time.

On any products , driving into less than 8 ohms at high voltage levels and at and above 15khz long enough (longer than a music based signal) is very likely to invoke the clip based compression off the DSP.

Driving into a short of thru a cable to a short with a non-tracker unit will result in a full collapse of its current limit and the display may say “SHORT” until either the drive or output short is removed.

Forcing a tracker based unit into a short with a continous sinewave is not recommended at this time. Driving a tracker based unit thru a long cable into a short may result in a display of “SHORT” until it is removed or invoke the DSP compression.

2) Filter Stage

a) Input cheb differential filter from codec to amplifier.

U10 forms a differential to single ended chebychev 22khz low pass filter for the CODEC to the amplifier differential front end thru R138 and C124. Under normal signal conditions the absolute expected peak output of U10 pin 1 should be less than +/-5v.

b) Amplifier high pass filters

C124 is a dc block and thus provides some high pass. R130, R132 (main feedback) and C104 form the voltage feedback and high pass function for the power stage. D3 is a clamp function. Using standard long stepped bursts of waveforms will result a normal high pass step recovery of the at the amplifier output, which may initially look abnormal to other high passed amplifiers. It is not , only these units are high passed around 10hz, not the typical 2hz or 5hz like others.

3) Protection blocks

- a) DCLF detect Clip_not and Low Vbulk detect
Comparator U103 is used for DCLF and a low +/-Vcc detection. A DCLF = low for a constant 100ms or more is interpreted as a amplifier fault and the DSP invokes the crowbar to the power supply. A “not” DCLF with a clip_not = low for 100ms or more may invoke the “SHORT” command from the DSP and compress the output until the offending short is removed. Lessor than 100ms clip_not = low may invoke the DSP compression.
- b) Time dependent current limit.with and without Tracker
Current limiting is set up with Q110, C115, R151, R798 (2ks,4Ks) R194 and more for the V term in the 1000s. Q111, R152, C116, R799 (2ks,4ks) R194 and more for the Vterm in the 1000s.
- c) Temperature compression and shut down
Temperature compression is driven by any one of the 3 LM75s . Simultaneously pressing all 3 front panel buttons ques the product into an info mode. The temperatures of the 3 LM75s and other important information may be obtained by scrolling thru the menu, including the effective loaded “RAIL” voltage from U17 pin 7.
- d) VI limiter without Tracker..XTI000,DSI1000
- e) Power Governor

4) Signal I/O blocks

- a) Bias
- b) Clip_not
- c) Mon1
- d) DCLF
- e) CH1PDRV, CH1NDRV

Miscellaneous notes for root cause and diagnosis ideas for repairs

1) DCLF, crowbar related; (fully discharge supply before ohmic measurements)

A crowbar event can fall generally into three catagories.

Nondestructive_Normal means nothing wrong, just an unwanted signal or load.

Nondestructive means something is open like a solder connection or resistor but not In a place where transistors will likely blow up when parts of the protection are defeated.

Destructive means either a device has blown or will if standard root cause methods are used to defeat a protection (like DCLF reporting) to force the unit on to be able to root cause.

For the latter two, the unit is likely to briefly power up, flash the display on then. Shut down with no clues, other than the power supply is trying to start and something on its secondary is loading it down. First, for this case, make sure your loads are removed to see if any unresolved DC on the output does not flow thru the load and thus pull power supply current uncontrolled thru a device and load. Remove any loading externally.

a) Nondestructive_normal.One generated by a DCLF > 100ms and then clears if there is no abnormal load to the power supply, hence the unit will be able to restart normally.

b) Nondestructive. Here, bias is not likely to come on. Remove any load. The following tags may accompany this; XTI_LED_CHECK_NORM, XTI_Meas_pV1_VBP. Try an ohm reading, even at neighboring pads the parts are supposed to connect to, at the following that had stopped bias to enable but did not destroy any other items;

REF CH1; R137, R136, R142, R133, R135, R134.

Other suspects; Q116,Q134 leaky? Try REPAIRnotes.txt 1st page with "power off".

c) Destructive. Discharge power caps. TP26 to TP27. Remove any load. Measure the following;

- 1) TO-220 to TO-220 sink...should be >90 ohms. If not, D180, D181, D182, D191 are shorted.
- 2) Q114 (TO-220 sink) to HS1 amp + sink...should be >>1K....suspect Q114 device
- 3) Q115 (TO-220 sink) to HS2 amp – sink...should be >>1K.....suspect Q115 device (refer to REPAIRnotes.txt for heat sink replacement)
- 4) For a pulled Q114, or Q115 measure R147 and R148 if open.
- 5) Measure Q112, Q113 collector to emitter while TO-220 part is out...>1K
- 6) Measure HS1 to CH1 red post....>>1K...suspect HS1
- 7) Measure HS2 to CH1 red post....>>1K...suspect HS2
- 8) Turn over PWA and check the soldered base pins of each TO-3 device. Check for missing pin or not soldered well.

2) Voltage gain related, CH1 REF

Check R132 value.

Check disc caps C228 and C240 (15pf) vs C290 and C299 (220pf) for not swapped.

Check for soldered end of C124, C13, C38, C20 well or not.

3) Power supply / amplifier related.

THD1 is the heat sink to foil connection

4) Tracker / amplifier related

THD1 is the heat sink to foil connection

5) MFT tags

One tag XTI_nVcc_cur_Draw was a bent open TO-3 PNP base pin, lightly hitting the Amplifier heat sink.

NOTES;

- 1) Q116 or Q134, if leaky the bases may read -17v or so.
- 2) Q108, Q106, R135, R142, R137. a possible open 0603, no bias.
- 3) R133. One end is the error amp output. Check for non-intermittent solder at pad.
- 4) Bias is not sensitive, set wiper to center should be 0.8 about.
- 5) R147,R148. If a TO-220 driver was shorted chances are that one of these resistors were also opened on the process and an opposite polarity device like a TO-92 pre-driver or TO-3 went too. A shorted To-220 can mask the 340 resistor or TO-92 transistor measurement as good or not.
- 6) If the TO220 sink to sink is not about <<100ohms then the diodes are shorted across R150.
- 7) the amplifier will still work if the low side low passed feedback resistor R87 wasn't there, only damping factor, crosstalk and an indicator of > +/-100mv of DC offset will result.
- 8) Amp sinks HS1,2,5,6 are tied to the Vbulk for the 1000s, and +/-30v at idle for the tracker based units. In an amplifier "mute=bias off" mode the + amplifier sinks (CH1P,CH2P) in a tracker based unit may float up to +90vdc. This is normal. When bias is on they come back down to the 30v.

Section 1.2

Power Supply Operation

XTi Power Supply Operation

Rev 1 8/9/06 EMB

Note: Any component references will be to the –8 revision level but should be backward compatible except where additions have been made.

1K: 139087, **2K:** 139086, **4K:** 138349

Brief summary of operation

The power supplies within all of the XTi models are very similar. The topology employed is a half-bridge series resonant converter. The use of this topology allows for soft switching of the main semiconductors Q28 and Q31 reducing heat both at idle and throughout a good portion of the operating power range.

Initial start up

Upon closing the switch S7, current is drawn from the AC source through the PTC RT6, rectified by D24, and stored in the bulk storage capacitors C57-C60. The control circuitry is powered directly from this stored charge through a series of resistors R370-R373. The resistors immediately begin charging capacitor C196 which will provide a kick-start to the power supply control circuitry.

Comparator U16 plays two rolls in the power up sequence. Firstly the voltage on C196 must be greater then 26-volts or so before the output of U16A is allowed to enter a high impedance state. Secondly, the AC voltage must be at least 95-100Vrms before the output of U16B is allowed to enter a high impedance state. Both of these comparator circuits have hysteresis around the trigger points such that chatter does not result. U16A allows a high state from about 26V all the way down to 12V. U16B allows a high state of a few volts from the 95-100V trigger point.

Once in a high stage, the resistors R374 and R378 will pull the voltage across D31 up to 16V allowing the regulator made up of Q39-Q41 to power the controller, U14, and the gate driver, U18.

Kick start

Once voltage is present on U14, switching begins. The clock frequency is determined by C69 and R367 and oscillates at approximately 250-260kHz. 180-degree phased clock signals are provided to U18 for generation of the low and high side gate drive waveforms on pin 7 and 5, respectively. The transistors Q26-Q30 serve to increase the current drive to the IGBTs Q28 and Q31.

Switching commences for the time allotted by the discharge of C196, or approximately 100mS. During this time period the IGBTs transfer energy from the primary bulk storage (C57-C60) and the AC line through the resonant tank (C68 & L3) to the transformer, T1.

The energy is magnetically coupled to the secondary of the transformer and hence C43-C48.

Energy is also transferred back to C196 through D26. If the voltage at C196 is maintained at a point greater than the lower bound for the V_{kstart} sense comparator, U16B, then the controller circuitry becomes sustained by the converter itself and the kick start cycle is terminated. If for any reason the converter does not sustain the voltage on C196, the kick start cycle will repeat indefinitely approximately every 500-800mS.

Power up

Now that the converter is sustaining the control circuitry, the amplifier has rails of either half of the nominal or nearly the full amount depending on the input source. If the input voltage is 120V, the rails are nearly half of the nominal value. If the input is 240V the rails are now sitting nearly at the full operating voltage.

The microprocessor, U1, samples the across capacitor C182, on the RAIL node. The voltage on this node is reflective of voltage present on the secondary side of the transformer, T1. It should be noted that the voltage here not only accounts for converter sag due to the converter throughput impedance, but also AC line sag due to significant AC line impedance.

The relay K1 is now commanded to close by U1 at which time the voltage at RAIL is measured. If it is below 1.4V, the microprocessor commands K1 to open followed by the closing of K2. The closing of K2 creates a half-wave doubler out of D24 and the bulk capacitors C57-C60. By doubling the voltage on the primary side, the secondaries are also doubled and the relay K1 is re-closed finishing the power up sequence.

If the voltage at RAIL is above 1.4V, no more processing is required and the power up sequence is finished.

Normal Operation

The IGBTs, Q28 and Q31, switch at approximately 42% duty cycle each at a frequency of 125-130kHz. At idle, circulation current is provided through the magnetization of the core within T1. This current provides a soft switching action to the IGBTs by charging/discharging the parasitic capacitance of the devices during dead time, thereby reducing low power losses. At the HB_OUT node the voltage will have a trapezoidal appearance.

At higher power levels, another form of soft switching is achieved due to the resonant tank, C68 and L3. The resonant frequency of the tank circuit is greater than that of the switching frequency thus the current through the switches is commutated to the opposing anti-parallel diode thus allowing resonant turn-off of the devices.

The current through the converter is passively limited two main variables. The current through the converter is directly proportional to the input voltage. The current is also limited by the tank design itself, C68 and L3.

Section 1.3

Tracker Supply Operation

Tracker Theory of Operations

Ben Carroll

8/4/2006

Rev 1 – initial version

The tracker operation in the XTi products and its derivatives is an extension of the classic class H supply (used in the XS amplifier) and is also similar to the VZ supply used in the MA3600 and MA5000. The main power supply provides two distinct rail voltages that supply power to the tracker's power stage, which in turn provides the rails to the amplifier's output stage. The higher rail voltage is model dependant (approx 120-140V), and the lower rail, which is about 30 V independent of model. This lower rail also supplies the +/-15V, and 3.3V regulators. The trackers are comprised of four power stages that individually feed: channel #1 positive, channel #1 negative, channel #2 positive, and channel #2 negative. Each of these power stages is a buck regulator connected in series with a 30V supply. This concept is called partial power processing, as the buck regulator does not process 100% of the power flowing through the power stage.

With no or only low-level signals present, the buck regulators are not active and the lower rails feed the amplifier output stage (*thru diodes D35, D36, D42, and D43*). This rail voltage is about the same as a D75. This makes the system very low loss at idle. The heating due to the bias current in the pre-drivers and drivers is reduced dramatically compared to what it would be if fed off of the higher voltage rails. Second the switching MOSFETS (*Q47, Q48, Q60, and Q61*) are not active, thus dissipate no power.

As the signal level increases the buck power stages become active. When a positive signal is demanded of channel #1, that respective trackers control loop responds keeping the instantaneous voltage on the output's collector terminal approximately 20V above its base terminal. The control loop works to keep this voltage constant, until the buck regulator reaches its maximum duty cycle or the amplifiers rail voltage reaches a preset maximum level. This maximum level limits the voltage across the output stage during high line conditions. Then as the voltage begins to reduce, the buck regulator reduces its duty cycle to maintain a constant 20V across the collector to base junction until the rail voltage drops back down to 30V. Then the channel #1 negative side tracker becomes active in a similar manor. Channel #2 works similar to channel #1, both channels are completely independent of each other. Because of this four completely independent power stages, and control loops are needed.

The following paragraphs will walk through the detailed operation of a trackers control loop. Each paragraph will explain the operator of an individual block. During the design process each block was carefully scrutinized to ensure that the maximum performance was attained from a minimum component count. Therefore some blocks contain several functions.

Absolute value detector

U23B is an inverting precision absolute value function block that also contains phase lead compensation (C277 & R392), voltage offset generation (R397), maximum voltage clamp (D50), and a peak hold function (C174).

Error Amplifier

U23A is an error amplifier is of the inverting type. The demands and feedback signal both feed a virtual ground at the inverting input. Both local feedback around the error amplifier and global feedback from the amplifier rail are employed. A single diode (D73) provides an asymmetric voltage clamp that properly bounds the error amplifier.

Error signal translator

U23D is a matching stage that translates the error amplifier output voltage to the proper range for the TL494 control IC.

TL494 control IC

U22 is an old and inexpensive switch mode power supply (SMPS) control IC, that is also used in the main power supply and 3.3V supply. It contains two internal error amplifier op amps that are too slow to be of use, so they are disabled. The error signal is driven directly into the feedback pin (#3). An internal sawtooth oscillator runs at approximately 500 kHz. This frequency is set by C71 and R76. R75 creates a small positive offset in the sawtooth to extend the maximum duty cycle beyond the published capability of the IC, while schottky D33 shunts R75 to keep the falling edge of the sawtooth steep. The internal comparator compares the error signal and the sawtooth creating the pulse width modulated output (PWM). Note that the signal at pin #3 is backwards of most of most control ICs. 0V is 100% duty cycle, and 4V is 0% duty cycle. This makes the modulation method leading edge. Therefore the switching transistors will always turn off during the falling edge portion of the sawtooth waveform.

PWM level translator

This circuit translates the PWM output of the TL494 control IC at ground level, to the gate drive IC which is referenced to the negative rail. This circuit is very similar to the circuit used to translate the BCA modulated output down to the -VCX rail on the CTS BCA and Itech designs. Q55 is a PNP grounded base stage (cascode), which accepts current from the emitters of the output stage transistors in the TL494 control IC. The combination of resistors R77 and R734 sets the translator current. R734 serves a special purpose to help turn off Q55, by removing stored charge from its emitter to base junction. Q46 is another grounded base stage (cascode) that is referenced to the negative rails gate drive supply. It receives the current signal from Q55, and then the current signal is changed into a voltage signal across R99. Q46 is never turned on. It serves to cancel out the parasitic capacitance present in Q55.

Gate driver

The purpose of the gate driver is to receive and buffer the logic level signal from the PWM level translator to a higher level signal that is suitable to drive a power MOSFET. Each channel has its own gate driver IC (U26). The gate driver has a low and a high side that operate completely independently. The high side is connected to the trackers for the positive rail, and the low side for the negative rail. The gatedrive IC and the negative gate drive buffer (Q43, Q44) are powered from an auxiliary winding off of the main power transformer that is regulated by linear pass regulator (R1, D1, Q1, Q2). The high side gate drive supply via a bootstrap supply (D32) and a current source (Q140). Zener diodes D77 and D79 protect the gate drive IC from over voltage.

Power Stage

Q47, D35, L4, C84/C49 form a buck switching cell. This is area of the circuit that processes the power. The gate drive signal turns the MOSFET on and off at

commanded by the TL494 control IC at about 500kHz. The power stage connects to the high (+V1) and low (+LR1) voltage rails. L4 in combination with C84 and C49 form a 2nd order lowpass filter that filters the high frequency switching energy to form the output voltage that feeds the amplifier power stage predrivers, drivers, and outputs.

Section 2

XTi Assembly Drawings

REVISIONS						APPROVALS			
E.C.N.	ZONE	REV	DESCRIPTION	DATE	DWN	CHK	CM	PE	
		(A)	INITIAL RELEASE	9-1-06	RG	N/A	DSV	RG	
33435		(B)	ITEM 7 WAS 139537-1	1-4-07	JAG	N/A	DSV	SC	
33386		(C)	ITEM 5 WAS 139350-1	1-16-07	JAG	N/A	DSV	SC	
34154		(D)	ITEM 19 WAS 138911-3	4-9-07	JAG	N/A	DSV	TJS	
34705		(E)	ITEM 1 WAS 138300-3	7-13-07	KG	N/A	KZ	KG	
34724		(F)	ITEM 9 WAS 138325-2	7-16-07	KG	N/A	DSV	KG	
34788		(G)	ITEM 9 WAS 138876-1	8-2-07	KG	N/A	DSV	TJS	
34992		(H)	ITEM 8 WAS 139289-1 , ITEM 19 WAS 138911-4	9-20-07	JAG	N/A	DSV	TJS	
35122		(J)	ITEM 15 WAS 138802-1	10-17-07	KG	N/A	DSV	TJS	

SPECIFICATIONS	VOLTAGE	XTI1000	XTI1000A1	XTI1000E30	XTI1000E40	XTI1000E60	XTI2000	XTI2000A1	XTI2000E30	XTI2000E40	XTI2000E60	XTI4000	XTI4000A1	XTI4000E30	XTI4000E40	XTI4000E60
		FREQUENCY	120V	100V	230V 240V	230V 240V	220V 230V 240V	120V	100V	230V 240V	230V 240V	220V 230V 240V	120V	100V	230V 240V	230V 240V

ITEM	QTY	DESCRIPTION	C.P.N.	XTI1000	XTI1000A1	XTI1000E30	XTI1000E40	XTI1000E60	XTI2000	XTI2000A1	XTI2000E30	XTI2000E40	XTI2000E60	XTI4000	XTI4000A1	XTI4000E30	XTI4000E40	XTI4000E60	
③	1	PWA; XTI 1000	139087-*	X		X	X	X											
	1	PWA; XTI 2000	139086-*						X		X	X	X						
	1	PWA; XTI 4000	138349-*											X		X	X	X	
	1	PWA; XTI 1000 A1	139830-*		X														
	1	PWA; XTI 2000 A1	139831-*							X									
	1	PWA; XTI 4000 A1	139832-*												X				
⑬	1	PANEL; XTI 1000 FRONT	139270-1	X		X	X	X											
	1	PANEL; XTI 2000 FRONT	138329-1						X		X	X	X						
	1	PANEL; XTI 4000 FRONT	139271-1											X		X	X	X	
	1	PANEL; AMCRON XTI 1000 FRONT	139795-1		X														
	1	PANEL; AMCRON XTI 2000 FRONT	139796-1							X									
1	PANEL; AMCRON XTI 4000 FRONT	139797-1												X					
⑳	1	OVERLAY; XTI BACK PANEL	139282-2	X		X	X	X	X	X	X	X	X	X	X	X	X	X	X
	1	OVERLAY; AMCRON XTI BACK PANEL	139806-1		X					X				X					

NOTES:
 1) * REPRESENTS MOST CURRENT PWA REV UNLESS OTHERWISE SPECIFIED.

UNCONTROLLED
 UNLESS OTHERWISE MARKED IN RED INK BY CM AS A CONTROLLED COPY, COPIES OF THESE DOCUMENTS AND ASSOCIATED ELECTRONIC FILES ARE UNCONTROLLED AND ARE FOR REFERENCE ONLY.
 THESE DRAWINGS, SPECIFICATIONS AND ASSOCIATED ELECTRONIC FILES ARE THE PROPERTY OF CROWN INTERNATIONAL, INC. AND SHALL NOT BE REPRODUCED, COPIED, OR USED AS THE BASIS FOR THE MANUFACTURE OR SALE OF APPARATUS OR DEVICES WITHOUT PERMISSION.
 DO NOT SCALE DRAWING

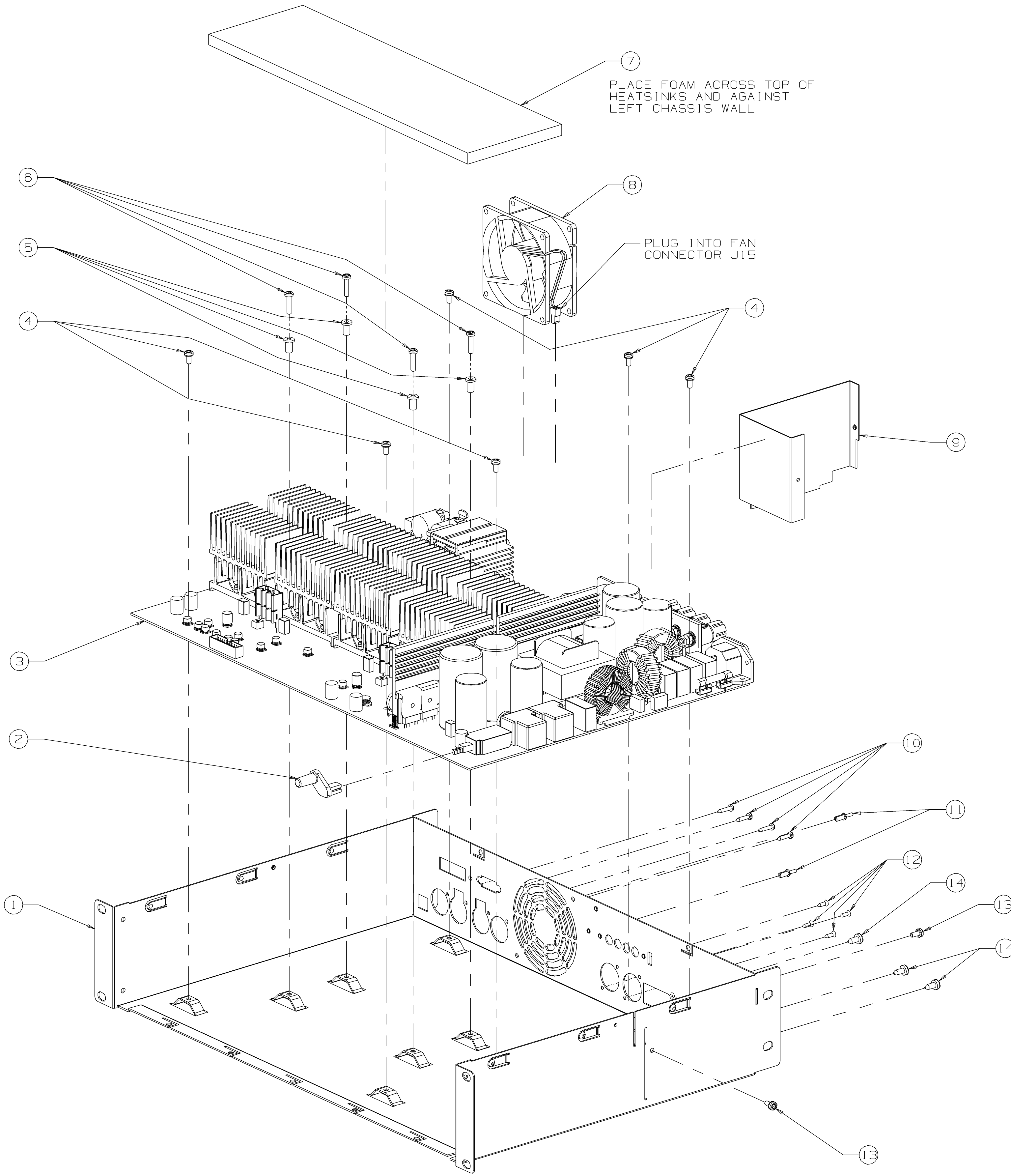
DISTRIBUTION	DWN	RG	9-1-06
H	CHK	N/A	N/A
CROWN\MCECHLO	CM	DSV	9-13-06
DWG\139292.PRT	PE	RG	9-1-06
TOLERANCE UNLESS OTHERWISE SPECIFIED			
.00 = ±.020			
.000 = ±.010			
ANGLES = ±1.0°			

CROWN A Harman International Company
 1718 WEST MISHAWAKA RD. PHONE (574) 294-8000
 ELKHART, IN 46517 WWW.CROWNAUD10.COM

TITLE
 DWG: XTI FINAL ASM

SIZE DWG NO. 139292 REV (J)

SCALE NONE PROJ NO. 600029 SHEET 1 OF 5



RECOMMENDED ASSEMBLY TORQUE:

ITEM	C.P.N.	TORQUE SETTING
4	103415-10605	11-13 IN LBS
6	131029-10610	14-16 IN LBS
10	A10111-70408	BATTERY GUN SET @ 2
12	139311-1	BATTERY GUN SET @ 1
13	103433-70605	11-13 IN LBS
14	139334-70806	7-9 IN LBS

ITEM	QTY	DESCRIPTION	PART NO.
(14)	3	SCR; #8 X .375 TORX PNHD AB BZ	139334-70806
(13)	9	SEMS; 6-32 X .31 TORX PNHS STAR	103433-70605
(12)	4	M2.9 X 9.5MM FLTHD TRX TFS BZ AB	139311-1
(11)	2	PLASTI-RIVET; .156 2 PRONG BLK	C 9387-9
(10)	4	SCREW; #4 X .5 PNHD PH AB BZ	A10111-70408
(9)	1	SHIELD; CEQUEL EM1	139876-2
(8)	1	FAN; 80x80x32MM 24V 70CFM	139289-2
(7)	1	FOAM; XT1 HEATSINK W/ ADHESIVE	139988-1
(6)	4	SCR; 6-32 X .625 TORX PNHD TFS Z	131029-10610
(5)	4	WSHR; #6 W/ .375 LG SHLDR NYL	139350-2
(4)	6	SCR; #6-32 X .312 SEMS TFS CONE	103415-10605
(3)	1	PWA; XT1	SEE SHEET 1
(2)	1	PUSH ROD; CEQUEL	139090-2
(1)	1	CHASSIS; CEQUEL	138300-4

UNCONTROLLED
UNLESS OTHERWISE MARKED IN RED INK BY QM AS A CONTROLLED COPY, COPIES OF THESE DOCUMENTS AND ASSOCIATED ELECTRONIC FILES ARE UNCONTROLLED AND ARE FOR REFERENCE ONLY.

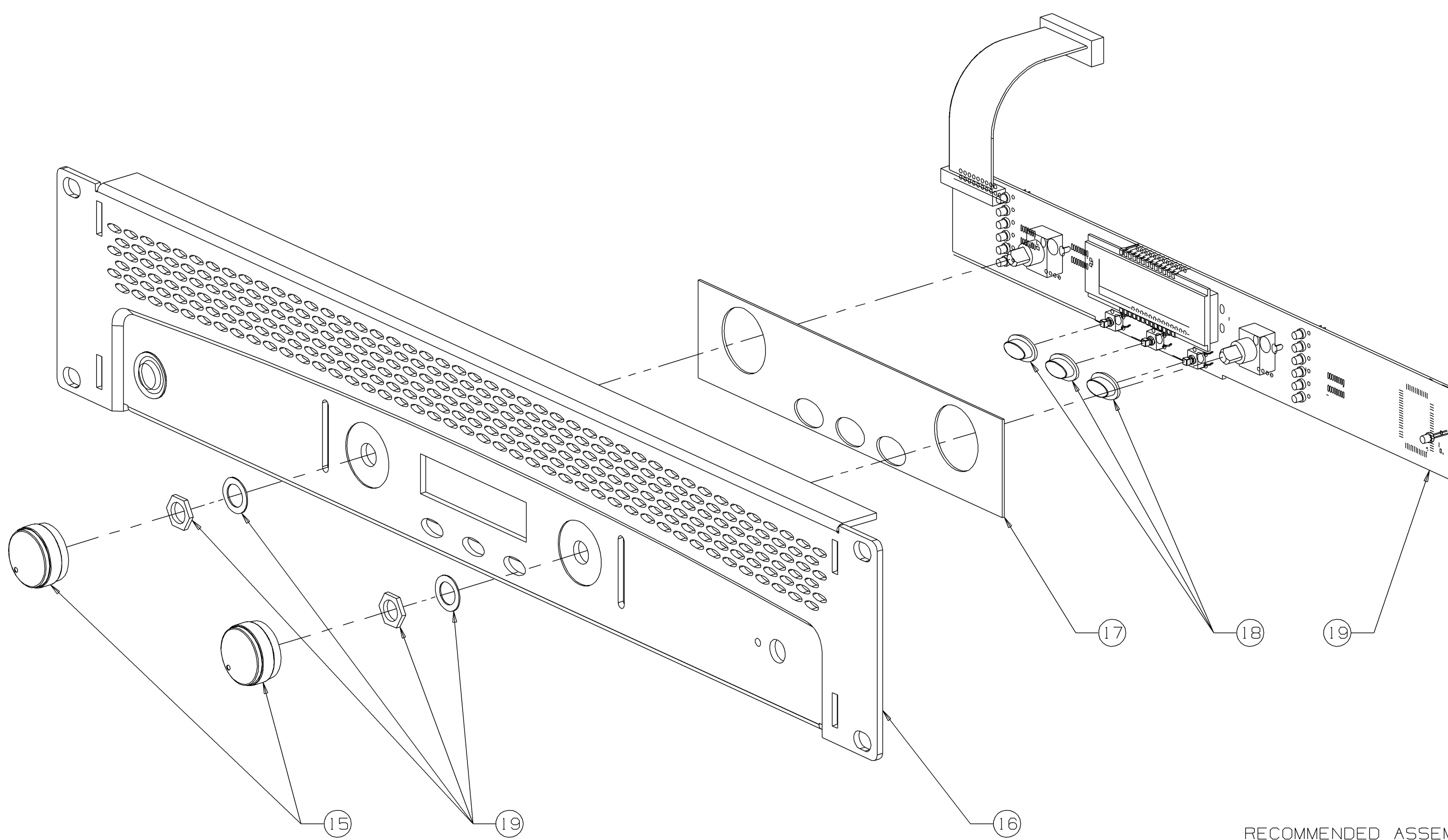
TOLERANCE UNLESS OTHERWISE SPECIFIED
.00 : +.020
.000 : +.010
ANGLES : ±1.0°

DO NOT SCALE DRAWING

CROWN H A Harman International Company
1718 WEST MISHAWAKA RD. ELKHART, IN 46517
PHONE 15741 294-8000
WWW.CROWNAUDIO.COM

SIZE DWG NO. 139292

SCALE NONE PROJ NO. 600029 SHEET 2 OF 5



HARDWARE
SUPPLIED
WITH PWA

RECOMMENDED ASSEMBLY TORQUE :
ITEM 19 NUT 12-14 IN LBS

ITEM	QTY	DESCRIPTION	PART NO.
(H) (D) 19	1	PWA; XT1 DISPLAY	138911-5
(D) 18	3	SWITCH CAP; CEQUEL	138835-1
(D) 17	1	LENS; XT1 LED	138768-1
(D) 16	1	PANEL; XT1 FRONT	SEE SHEET 1
(D) 15	2	KNOB; XT1	138802-2

UNCONTROLLED
UNLESS OTHERWISE MARKED IN RED INK BY CM AS A
CONTROLLED COPY, COPIES OF THESE DOCUMENTS AND
ASSOCIATED ELECTRONIC FILES ARE UNCONTROLLED AND
ARE FOR REFERENCE ONLY.

THESE DRAWINGS, SPECIFICATIONS AND ASSOCIATED
ELECTRONIC FILES ARE THE PROPERTY OF CROWN
INTERNATIONAL, INC. AND SHALL NOT BE REPRODUCED,
COPIED, OR USED AS THE BASIS FOR THE MANUFACTURE OR
SALE OF APPARATUS OR DEVICES WITHOUT PERMISSION.

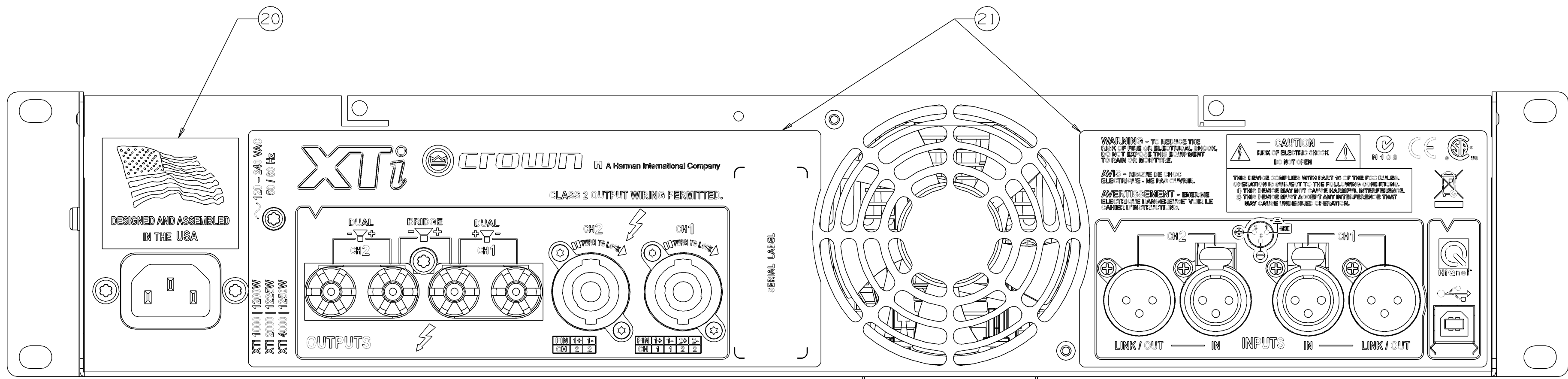
TOLERANCE UNLESS
OTHERWISE SPECIFIED
.00 = ±.020
.000 = ±.010
ANGLES = ±1.0°

CROWN H A Harman International Company
1718 WEST MISHAWAKA RD. PHONE (574) 294-8000
ELKHART, IN 46517 WWW.CROWNAUDIO.COM

DO NOT SCALE DRAWING
SCALE NONE
PROJ NO. 600029
SHEET 3 OF 5

SIZE DWG NO. 139292

REV (J)



ITEM	QTY	DESCRIPTION	PART NO.
21	1	OVERLAY; XTI BACK PANEL	SEE SHEET 1
20	1	LABEL; USA FLAG	139500-1

UNCONTROLLED
UNLESS OTHERWISE MARKED IN RED INK BY CM AS A CONTROLLED COPY, COPIES OF THESE DOCUMENTS AND ASSOCIATED ELECTRONIC FILES ARE UNCONTROLLED AND ARE FOR REFERENCE ONLY.

THESE DRAWINGS, SPECIFICATIONS AND ASSOCIATED ELECTRONIC FILES ARE THE PROPERTY OF CROWN INTERNATIONAL, INC. AND SHALL NOT BE REPRODUCED, COPIED, OR USED AS THE BASIS FOR THE MANUFACTURE OR SALE OF APPARATUS OR DEVICES WITHOUT PERMISSION.

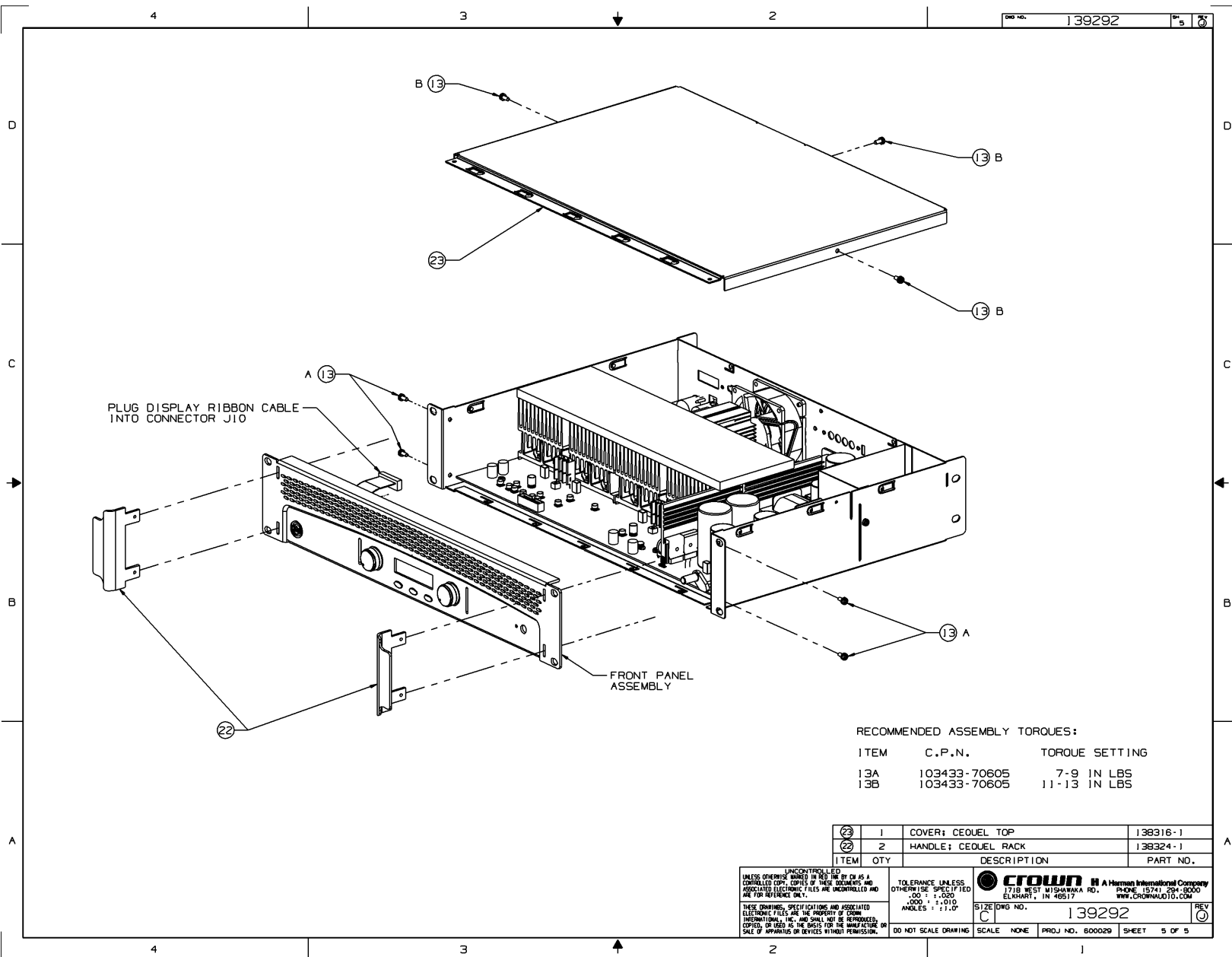
TOLERANCE UNLESS OTHERWISE SPECIFIED
.00 = ±.020
.000 = ±.010
ANGLES = ±1.0°

DO NOT SCALE DRAWING

CROWN A Harman International Company
1718 WEST MISHAWAKA RD. ELKHART, IN 46517
PHONE (574) 294-8000
WWW.CROWNAUDIO.COM

SIZE C DWG NO. 139292 REV J

SCALE NONE PROJ NO. 600029 SHEET 4 OF 5



Section 2.1

XTi1000 BOM PWA 139087-14

REVISION HISTORY						
E.C.N	REV	DESCRIPTION	DATE	DWN	PE	CM
	A	INITIAL RELEASE DERIVED FROM 139087-14 REV 1 WITH THE FOLLOWING CHANGE: HS13B, HS13C, HS13D, HS14E, AND HS14F WERE 139310-1.	12/05/07	KLW	TJS	DSV

UNLESS OTHERWISE SPECIFIED, THIS PRINTED WIRING ASSEMBLY SHALL MEET THE SPECIFICATION DESCRIBED IN IPC-A-610_ CLASS 2 STANDARDS.
 ROHS COMPLIANCE: THIS PART MUST COMPLY WITH CROWN AUDIO SPECIFICATION 138935 AND ROHS DIRECTIVE 2002/95/EC OR BE DEFINED AS A ROHS APPROVED EXCEPTION.

NOTES:

1. PRINTED WIRING BOARD PART NUMBER **138348-9**.
2. SEE **139087-14_A.TIF** FOR SCHEMATIC AND BOARD MAP
3. THE MAXIMUM LEAD LENGTH ON THE BOTTOM SIDE OF THE BOARD SHALL NOT EXCEED 0.145".
4. POSITION COMPONENTS AS SHOWN ON COMPONENT MAP.
5. THE PRINTED WIRING ASSEMBLY PART NUMBER FOR THIS ASSEMBLY SHALL BE MARKED ON THE PRINTED WIRING BOARD AND SHALL BE PERMANENT.
6. **DO NOT PICK-UP** THE PWA ASSEMBLY BY THE HEATSINK ASSEMBLIES
7. INSURE RETAINERS **139421-3** ARE FULLY INSERTED INTO THE POWER SUPPLY HEATSINKS.
8. INSURE RETAINERS ON THE POWER SUPPLY HEATSINK ASSEMBLIES ARE FULLY INSERTED INTO THE PWB WHEN INSTALLING
 NOTE: IF RETAINER CLIP **139421-3** BREAKS AFTER SOLDERING REPAIR AS FOLLOWS:
 - REMOVE BROKEN CLIP FROM THE HEATSINK AND PWB
 - APPLY SILICONE **S 5700-0** INTO THE PWB SLOT AND GROOVE OF THE HEATSINK
 - **DO NOT ATTEMPT TO REMOVE THE HEATSINK ASSEMBLY FROM THE BOARD**
9. OUTPUT TRANSISTOR SCREWS ARE TORQUED TO 20-22 IN LBS.
10. **139360-1** IS CONSUMED IN HEATSINK ASSEMBLIES HS1, HS5 AND HS13.
11. USE SIDE CUTTERS TO SEVER THE BOARD TABS OF THE BREAKOUT BOARD, SEE COMPONENT MAP.
12. ADD **139901-1** SPACER HW3 AND HW4, BETWEEN HEATSINKS HS14 AND HS5, AND HS13 AND HS6 RESPECTIVELY



UNCONTROLLED

UNLESS OTHERWISE MARKED IN RED INK BY CM AS A CONTROLLED COPY, COPIES OF THESE DOCUMENTS INCLUDING ASSOCIATED ELECTRONIC REPRODUCTIONS ARE FOR REFERENCE ONLY

THESE DRAWINGS AND SPECIFICATIONS ARE THE PROPERTY OF CROWN INTERNATIONAL, INC. AND SHALL NOT BE REPRODUCED, COPIED, OR USED AS THE BASIS FOR THE MANUFACTURE OR SALE OF APPARATUS OR DEVICES WITHOUT PERMISSION.

DWN	KLW	12/05/07	PE	TJS	12/05/07	CM	DSV	12/10/07	DIST.	K		
-----	-----	----------	----	-----	----------	----	-----	----------	-------	---	--	--

REF. DES.	CPN	DESCRIPTION	MAP LOC.
C1	102438-220J2	22PF 200V 5% NPO 0805 T/R	H 1
C2	135505-1	CAP, 0.1UF 25V 10% X7R 0603	K 1
C3	A10434-104JD	.1UF 250V 5% MTL POLY FILM T/A	O 9
C4	135505-1	CAP, 0.1UF 25V 10% X7R 0603	D 11
C5	A11369-821K2	820PF 50V 10% NPO MLC 0805	B 11
C6	A11369-821K2	820PF 50V 10% NPO MLC 0805	C 11
C7	A11369-820K1	82PF 50V 10% NPO MLC 0603	D 2
C8	A11369-820K1	82PF 50V 10% NPO MLC 0603	C 2
C9	135505-1	CAP, 0.1UF 25V 10% X7R 0603	D 1
C10	135505-1	CAP, 0.1UF 25V 10% X7R 0603	C 2
C11	135505-1	CAP, 0.1UF 25V 10% X7R 0603	C 1
C12	135505-1	CAP, 0.1UF 25V 10% X7R 0603	B 2
C13	C 9157-6	100UF 16V 20% NP ELEC RAD T/R	C 1
C14	126623-1	47UF 16V 6.3X5.5MM 20% SMT	C 1
C15	A11369-330J1	CAP, 33PF 50V NPO 5% 0603	C 1
C16	102438-101J2	100PF 200V 5% NPO 0805 T/R	C 2
C17		OPEN	P 4
C18	102438-101J2	100PF 200V 5% NPO 0805 T/R	C 1
C19	126623-1	47UF 16V 6.3X5.5MM 20% SMT	C 2
C20	126623-1	47UF 16V 6.3X5.5MM 20% SMT	B 1
C21		OPEN	M 9
C22	A11369-821K2	820PF 50V 10% NPO MLC 0805	D 11
C23	A11369-821K2	820PF 50V 10% NPO MLC 0805	D 11
C24	A11369-820K1	82PF 50V 10% NPO MLC 0603	E 2
C25	A11369-820K1	82PF 50V 10% NPO MLC 0603	E 2
C26	C 9157-6	100UF 16V 20% NP ELEC RAD T/R	D 1
C27	126623-1	47UF 16V 6.3X5.5MM 20% SMT	E 1
C28	A11369-330J1	CAP, 33PF 50V NPO 5% 0603	E 1
C29	102438-101J2	100PF 200V 5% NPO 0805 T/R	D 2
C30	102438-470J2	47PF 200V 5% NPO 0805	K 1
C31	102438-101J2	100PF 200V 5% NPO 0805 T/R	D 1
C32	126623-1	47UF 16V 6.3X5.5MM 20% SMT	D 2
C33	126623-1	47UF 16V 6.3X5.5MM 20% SMT	D 1
C34	135505-1	CAP, 0.1UF 25V 10% X7R 0603	E 1
C35	135505-1	CAP, 0.1UF 25V 10% X7R 0603	E 2
C36	135505-1	CAP, 0.1UF 25V 10% X7R 0603	D 1
C37	135505-1	CAP, 0.1UF 25V 10% X7R 0603	D 2
C38	A11369-182J2	CAP, 1800P NPO 5% 50V 0805	B 1
C39	A11369-182J2	CAP, 1800P NPO 5% 50V 0805	D 1
C40		OPEN	M 8
C41		OPEN	F 12
C42		OPEN	M 8
C43		OPEN	N 8
C44		OPEN	N 11
C45	C 4477-3	470 UF 35V VERT	O 8
C46	C 4477-3	470 UF 35V VERT	N 10
C47	133323-1	CAP, 3800UF 125V ALUM ELECT	N 9
C48	133323-1	CAP, 3800UF 125V ALUM ELECT	M 10
C49	140309-1	CAP, .47UF 275VAC X2	P 11
C50	140309-1	CAP, .47UF 275VAC X2	Q 11
C51	137030-1	CAP, 1UF X2 REDUCED SIZE	P 9
C52	137030-1	CAP, 1UF X2 REDUCED SIZE	Q 9
C53	137455-1	CAP, 4700 PF 10% FILM Y2	Q 8
C54	137455-1	CAP, 4700 PF 10% FILM Y2	O 8
C55		OPEN	Q 8
C56		OPEN	O 8

139087-14 REV. A		PWA, XTI1000	600029
C57	134163-1	CAP, 2700UF 20% 200V ELECT	N 3
C58	134163-1	CAP, 2700UF 20% 200V ELECT	N 4
C59		OPEN	P 2
C60		OPEN	P 4
C61	A11427-104K2	.1UF 50V CHIP CAP 10% 0805 X7R	P 1
C62	102438-220J2	22PF 200V 5% NPO 0805 T/R	G 1
C63	135505-1	CAP, 0.1UF 25V 10% X7R 0603	N 2
C64	135505-1	CAP, 0.1UF 25V 10% X7R 0603	N 2
C65	139705-1	CAP, 0.33UF 50V 5% X7R 1206	B 8
C66		OPEN	B 10
C67	139705-1	CAP, 0.33UF 50V 5% X7R 1206	A 1
C68	138523-1	CAP, 0.15UF 5% 630V POLYPROP	Q 5
C69	A11369-102F2	1000PF 50V 1% CHIP CAP	N 1
C70		OPEN	B 10
C71		OPEN	B 10
C72	A11369-102F2	1000PF 50V 1% CHIP CAP	I 2
C73	133187-1	CAP,220PF 500V 10% CER DISK TR	N 7
C74	A11427-103K2	.01 UF 50V 10% X7R MLC 0805	C 1
C75	126539-1	10UF 16V 5.5MM HIGH SMD	K 1
C76	C 4477-3	470 UF 35V VERT	I 11
C77	139705-1	CAP, 0.33UF 50V 5% X7R 1206	B 3
C78	135505-1	CAP, 0.1UF 25V 10% X7R 0603	A 1
C79	135505-1	CAP, 0.1UF 25V 10% X7R 0603	B 3
C80		OPEN	C 9
C81		OPEN	C 9
C82		OPEN	C 9
C83		OPEN	E 10
C84		OPEN	E 9
C85	139705-1	CAP, 0.33UF 50V 5% X7R 1206	K 8
C86		OPEN	E 9
C87		OPEN	E 10
C88	A11427-104K2	.1UF 50V CHIP CAP 10% 0805 X7R	D 1
C89		OPEN	E 8
C90	102438-220J2	22PF 200V 5% NPO 0805 T/R	A 11
C91	102438-220J2	22PF 200V 5% NPO 0805 T/R	A 11
C92		OPEN	E 8
C93		OPEN	B 10
C94		OPEN	K 10
C95		OPEN	K 10
C96	A11369-102F2	1000PF 50V 1% CHIP CAP	I 2
C97		OPEN	K 10
C98	A11369-102F2	1000PF 50V 1% CHIP CAP	F 3
C99		OPEN	K 10
C100		OPEN	J 9
C101		OPEN	J 9
C102	126539-1	10UF 16V 5.5MM HIGH SMD	E 2
C103	A11369-471J2	CAP, 470PF 5% 50V SMT 0805	G 3
C104	C 9157-6	100UF 16V 20% NP ELEC RAD T/R	C 2
C105	103429-472K5	.0047UF 250V 10% X7R 1206 T/R	D 3
C106	102438-470J2	47PF 200V 5% NPO 0805	G 3
C107	102438-100J2	10PF 200V 5% NPO 0805	C 3
C108	102438-101J2	100PF 200V 5% NPO 0805 T/R	C 3
C109	139719-1	CAP, 1.0UF 25V X7R 10% 0805	D 3
C110		OPEN	D 3
C111	A10434-104JD	.1UF 250V 5% MTL POLY FILM T/A	C 3
C112	A10434-104JD	.1UF 250V 5% MTL POLY FILM T/A	E 3
C113	139705-1	CAP, 0.33UF 50V 5% X7R 1206	G 3
C114	103429-472K5	.0047UF 250V 10% X7R 1206 T/R	D 5
C115	126623-1	47UF 16V 6.3X5.5MM 20% SMT	A 6

139087-14 REV. A		PWA, XT11000	600029
C116	126623-1	47UF 16V 6.3X5.5MM 20% SMT	A 5
C117	A11427-103K2	.01 UF 50V 10% X7R MLC 0805	B 6
C118	A11427-103K2	.01 UF 50V 10% X7R MLC 0805	C 5
C119	126539-1	10UF 16V 5.5MM HIGH SMD	C 2
C120	126539-1	10UF 16V 5.5MM HIGH SMD	C 3
C121	126539-1	10UF 16V 5.5MM HIGH SMD	B 2
C122	A10434-473JD	.047UF 250VDC 5% MET POLY T/A	B 9
C123	135505-1	CAP, 0.1UF 25V 10% X7R 0603	B 3
C124	C 9157-6	100UF 16V 20% NP ELEC RAD T/R	G 3
C125	A11369-680J2	CAP, 68PF 5% 50V SMT 0805	D 8
C126	A11369-680J2	CAP, 68PF 5% 50V SMT 0805	B 8
C127	A11369-472J2	CAP, 4700PF 5% 50V SMT 0805	C 8
C128	A11369-472J2	CAP, 4700PF 5% 50V SMT 0805	A 8
C129	135505-1	CAP, 0.1UF 25V 10% X7R 0603	H 3
C130	A11369-122J2	0.0012UF 50V 5% NPO MLC 0805	B 2
C131	A11369-152J2	1500PF 50V 5% NPO MLC 0805 T/R	B 2
C132	135505-1	CAP, 0.1UF 25V 10% X7R 0603	H 3
C133	102438-470J2	47PF 200V 5% NPO 0805	C 3
C134	A10434-472JD	.0047UF 250VDC 5% MET POLY T/A	M 11
C135	135505-1	CAP, 0.1UF 25V 10% X7R 0603	D 6
C136	135505-1	CAP, 0.1UF 25V 10% X7R 0603	J 6
C137	135505-1	CAP, 0.1UF 25V 10% X7R 0603	G 3
C138	135505-1	CAP, 0.1UF 25V 10% X7R 0603	F 3
C139	126539-1	10UF 16V 5.5MM HIGH SMD	L 2
C140	A11369-471J2	CAP, 470PF 5% 50V SMT 0805	I 2
C141	C 9157-6	100UF 16V 20% NP ELEC RAD T/R	J 2
C142	A11369-102F2	1000PF 50V 1% CHIP CAP	F 3
C143	102438-470J2	47PF 200V 5% NPO 0805	F 3
C144	103429-472K5	.0047UF 250V 10% X7R 1206 T/R	J 3
C145	102438-470J2	47PF 200V 5% NPO 0805	I 2
C146	102438-100J2	10PF 200V 5% NPO 0805	I 3
C147	102438-101J2	100PF 200V 5% NPO 0805 T/R	I 3
C148	139719-1	CAP, 1.0UF 25V X7R 10% 0805	J 3
C149		OPEN	K 3
C150	A10434-104JD	.1UF 250V 5% MTL POLY FILM T/A	K 3
C151	A10434-104JD	.1UF 250V 5% MTL POLY FILM T/A	I 3
C152	139705-1	CAP, 0.33UF 50V 5% X7R 1206	G 3
C153	103429-472K5	.0047UF 250V 10% X7R 1206 T/R	J 5
C154	126623-1	47UF 16V 6.3X5.5MM 20% SMT	G 6
C155	126623-1	47UF 16V 6.3X5.5MM 20% SMT	G 5
C156	A11427-103K2	.01 UF 50V 10% X7R MLC 0805	I 6
C157	A11427-103K2	.01 UF 50V 10% X7R MLC 0805	I 5
C158	126539-1	10UF 16V 5.5MM HIGH SMD	L 3
C159	126539-1	10UF 16V 5.5MM HIGH SMD	L 3
C160	126539-1	10UF 16V 5.5MM HIGH SMD	L 2
C161	A10434-473JD	.047UF 250VDC 5% MET POLY T/A	K 8
C162	135505-1	CAP, 0.1UF 25V 10% X7R 0603	M 2
C163	C 9157-6	100UF 16V 20% NP ELEC RAD T/R	J 2
C164	A11369-680J2	CAP, 68PF 5% 50V SMT 0805	M 8
C165	A11369-680J2	CAP, 68PF 5% 50V SMT 0805	J 8
C166	A11369-472J2	CAP, 4700PF 5% 50V SMT 0805	L 8
C167	A11369-472J2	CAP, 4700PF 5% 50V SMT 0805	J 8
C168	135505-1	CAP, 0.1UF 25V 10% X7R 0603	H 3
C169	A11369-122J2	0.0012UF 50V 5% NPO MLC 0805	L 2
C170	A11369-152J2	1500PF 50V 5% NPO MLC 0805 T/R	L 2
C171	102438-470J2	47PF 200V 5% NPO 0805	I 3
C172	A10434-472JD	.0047UF 250VDC 5% MET POLY T/A	N 11
C173		OPEN	B 10
C174		OPEN	B 10

139087-14 REV. A		PWA, XT11000	600029
C175	102438-470J2	47PF 200V 5% NPO 0805	I 2
C176	135505-1	CAP, 0.1UF 25V 10% X7R 0603	M 5
C177		OPEN	J 9
C178		OPEN	I 10
C179	135505-1	CAP, 0.1UF 25V 10% X7R 0603	N 7
C180	135505-1	CAP, 0.1UF 25V 10% X7R 0603	K 1
C181	135505-1	CAP, 0.1UF 25V 10% X7R 0603	K 1
C182	135505-1	CAP, 0.1UF 25V 10% X7R 0603	K 2
C183		OPEN	L 9
C184		OPEN	I 8
C185	135505-1	CAP, 0.1UF 25V 10% X7R 0603	H 3
C186	135505-1	CAP, 0.1UF 25V 10% X7R 0603	N 2
C187	135505-1	CAP, 0.1UF 25V 10% X7R 0603	N 1
C188	135505-1	CAP, 0.1UF 25V 10% X7R 0603	O 2
C189	135505-1	CAP, 0.1UF 25V 10% X7R 0603	N 2
C190		OPEN	G 9
C191		OPEN	C 9
C192		OPEN	G 10
C193		OPEN	I 9
C194	135505-1	CAP, 0.1UF 25V 10% X7R 0603	P 1
C195	135505-1	CAP, 0.1UF 25V 10% X7R 0603	O 1
C196	131015-1	220UF 35V 20% RAD ELECT T/A	P 1
C197	135505-1	CAP, 0.1UF 25V 10% X7R 0603	K 1
C198	135505-1	CAP, 0.1UF 25V 10% X7R 0603	K 2
C199	135505-1	CAP, 0.1UF 25V 10% X7R 0603	I 2
C200	135505-1	CAP, 0.1UF 25V 10% X7R 0603	I 2
C201	135505-1	CAP, 0.1UF 25V 10% X7R 0603	N 1
C202		OPEN	I 10
C203	135505-1	CAP, 0.1UF 25V 10% X7R 0603	E 3
C204		OPEN	I 9
C205	135505-1	CAP, 0.1UF 25V 10% X7R 0603	K 3
C206	135505-1	CAP, 0.1UF 25V 10% X7R 0603	P 1
C207		OPEN	I 8
C208		OPEN	J 9
C209		OPEN	C 9
C210		OPEN	G 9
C211		OPEN	C 9
C212		OPEN	G 10
C213		OPEN	L 10
C214		OPEN	C 10
C215	A11427-104K2	.1UF 50V CHIP CAP 10% 0805 X7R	Q 2
C216	A11427-104K2	.1UF 50V CHIP CAP 10% 0805 X7R	Q 2
C217		OPEN	M 8
C218	135505-1	CAP, 0.1UF 25V 10% X7R 0603	P 1
C219	A10434-104JD	.1UF 250V 5% MTL POLY FILM T/A	N 8
C220	A10434-104JD	.1UF 250V 5% MTL POLY FILM T/A	O 10
C221	135505-1	CAP, 0.1UF 25V 10% X7R 0603	L 3
C222	135505-1	CAP, 0.1UF 25V 10% X7R 0603	B 3
C223		OPEN	C 10
C224	137455-1	CAP, 4700 PF 10% FILM Y2	O 3
C225		OPEN	D 9
C226	137455-1	CAP, 4700 PF 10% FILM Y2	O 4
C227	135505-1	CAP, 0.1UF 25V 10% X7R 0603	B 11
C228	102438-150J2	CAP, 15PF 5% 200V NPO 0805	D 2
C229		OPEN	D 9
C230		OPEN	D 9
C231		OPEN	L 10
C232		OPEN	M 11
C233		OPEN	K 9

139087-14 REV. A

PWA, XT11000

600029

C234		OPEN	K 9
C235		OPEN	C 10
C236		OPEN	C 9
C237		OPEN	K 9
C238		OPEN	M 11
C239		OPEN	M 11
C240	102438-150J2	CAP, 15PF 5% 200V NPO 0805	D 3
C241		OPEN	L 10
C242		OPEN	L 10
C243		OPEN	L 10
C244		OPEN	C 10
C245		OPEN	L 10
C246		OPEN	D 8
C247		OPEN	K 9
C248		OPEN	K 9
C249		OPEN	J 9
C250		OPEN	L 10
C251		OPEN	A 8
C252		OPEN	C 10
C253		OPEN	M 8
C254		OPEN	J 8
C255		OPEN	B 10
C256		OPEN	C 9
C257		OPEN	K 10
C258		OPEN	K 9
C259		OPEN	G 11
C260		OPEN	G 11
C261	A11427-104K2	.1UF 50V CHIP CAP 10% 0805 X7R	H 1
C262	131015-1	220UF 35V 20% RAD ELECT T/A	A 2
C263	131015-1	220UF 35V 20% RAD ELECT T/A	A 2
C264	A11427-104K2	.1UF 50V CHIP CAP 10% 0805 X7R	P 1
C265		OPEN	F 8
C266		OPEN	F 9
C267		OPEN	H 8
C268		OPEN	H 9
C269		OPEN	G 8
C270		OPEN	G 8
C271		OPEN	M 8
C272		OPEN	G 8
C273		OPEN	L 8
C274		OPEN	G 8
C275		OPEN	F 8
C276	135505-1	CAP, 0.1UF 25V 10% X7R 0603	H 3
C277		OPEN	C 10
C278		OPEN	D 9
C279		OPEN	L 10
C280		OPEN	K 9
C281	135505-1	CAP, 0.1UF 25V 10% X7R 0603	H 3
C282		OPEN	B 6
C283		OPEN	B 5
C284		OPEN	H 6
C285		OPEN	H 5
C286	A10434-104JD	.1UF 250V 5% MTL POLY FILM T/A	N 11
C287	134791-1	CAP, 470 PF 500V N1500 DISC	Q 5
C288	A10434-104JD	.1UF 250V 5% MTL POLY FILM T/A	O 2
C289	A10434-104JD	.1UF 250V 5% MTL POLY FILM T/A	N 5
C291	102438-150J2	CAP, 15PF 5% 200V NPO 0805	J 2
C292	102438-150J2	CAP, 15PF 5% 200V NPO 0805	J 3
C293		OPEN	K 12

139087-14 REV. A

PWA, XT11000

600029

C294		OPEN	N 11
C295		OPEN	N 11
C296		OPEN	N 11
C297	135505-1	CAP, 0.1UF 25V 10% X7R 0603	M 3
C298	135505-1	CAP, 0.1UF 25V 10% X7R 0603	N 1
C300		OPEN	A 6
C301		OPEN	A 5
C302		OPEN	G 6
C303		OPEN	G 5
C304	135505-1	CAP, 0.1UF 25V 10% X7R 0603	A 11
C305	A11369-471J2	CAP, 470PF 5% 50V SMT 0805	H 2
C306	A11369-471J2	CAP, 470PF 5% 50V SMT 0805	H 2
C307		OPEN	J 12
C308		OPEN	J 11
C309		OPEN	J 11
C310		OPEN	L 11
C311		OPEN	K 12
C312		OPEN	K 12
C313		OPEN	L 11
C314	A11369-471J2	CAP, 470PF 5% 50V SMT 0805	G 1
C315	A11369-471J2	CAP, 470PF 5% 50V SMT 0805	G 1
C317		OPEN	F 12
C318		OPEN	G 12
C319		OPEN	F 12
C320		OPEN	F 12
C321		OPEN	H 11
C322		OPEN	H 11
C323	135505-1	CAP, 0.1UF 25V 10% X7R 0603	D 1
C810	A11427-104K2	.1UF 50V CHIP CAP 10% 0805 X7R	J 1
C811	131015-1	220UF 35V 20% RAD ELECT T/A	J 1
C812	A11427-104K2	.1UF 50V CHIP CAP 10% 0805 X7R	J 1
C814	135505-1	CAP, 0.1UF 25V 10% X7R 0603	I 1
C815	C 4477-3	470 UF 35V VERT	I 1
C816	135505-1	CAP, 0.1UF 25V 10% X7R 0603	J 2
C817	A11427-104K2	.1UF 50V CHIP CAP 10% 0805 X7R	J 2
C818	A11369-102F2	1000PF 50V 1% CHIP CAP	J 1
C819	135505-1	CAP, 0.1UF 25V 10% X7R 0603	K 2
C900	125434-1	CAP,.068UF 400V FILM POLYESTER	M 2
C901	125434-1	CAP,.068UF 400V FILM POLYESTER	M 1
C920	135505-1	CAP, 0.1UF 25V 10% X7R 0603	F 1
C921	102438-221F2	220PF 200V 1% NPO 0805	F 1
C922	135505-1	CAP, 0.1UF 25V 10% X7R 0603	F 1
C923	A11369-102F2	1000PF 50V 1% CHIP CAP	F 1
C924	A11369-102F2	1000PF 50V 1% CHIP CAP	F 1
C925	A11369-100J1	CAP, 10PF 5% 50V NPO 0603	F 1
C926	102438-220J2	22PF 200V 5% NPO 0805 T/R	F 1
C938	135505-1	CAP, 0.1UF 25V 10% X7R 0603	H 2
C950	102438-221F2	220PF 200V 1% NPO 0805	G 2
C958	135505-1	CAP, 0.1UF 25V 10% X7R 0603	G 2
C959	135505-1	CAP, 0.1UF 25V 10% X7R 0603	G 2
C960	126539-1	10UF 16V 5.5MM HIGH SMD	H 2
C961	135505-1	CAP, 0.1UF 25V 10% X7R 0603	G 2
C962	126539-1	10UF 16V 5.5MM HIGH SMD	F 2
C963	135505-1	CAP, 0.1UF 25V 10% X7R 0603	G 1
C964	135505-1	CAP, 0.1UF 25V 10% X7R 0603	G 1
C965	135505-1	CAP, 0.1UF 25V 10% X7R 0603	G 2
C966	135505-1	CAP, 0.1UF 25V 10% X7R 0603	G 2
C967	135505-1	CAP, 0.1UF 25V 10% X7R 0603	G 2
C968	135505-1	CAP, 0.1UF 25V 10% X7R 0603	G 2

XTi1000 BOM 139087-14_A.xls

R04.1CDE-004_(Fm) JAW 10/6/01

CROWN AUDIO, INC. ELKHART, IN.

7 OF 30

139087-14 REV. A		PWA, XTI1000	600029
C969	135505-1	CAP, 0.1UF 25V 10% X7R 0603	G 2
C970	135505-1	CAP, 0.1UF 25V 10% X7R 0603	G 2
C975	135505-1	CAP, 0.1UF 25V 10% X7R 0603	F 2
C976	139719-1	CAP, 1.0UF 25V X7R 10% 0805	F 2
C977	135505-1	CAP, 0.1UF 25V 10% X7R 0603	F 2
C978	139719-1	CAP, 1.0UF 25V X7R 10% 0805	F 2
C983	135505-1	CAP, 0.1UF 25V 10% X7R 0603	F 2
C984	126623-1	47UF 16V 6.3X5.5MM 20% SMT	F 2
C987	135505-1	CAP, 0.1UF 25V 10% X7R 0603	G 1
C992	135505-1	CAP, 0.1UF 25V 10% X7R 0603	I 1
C993	135505-1	CAP, 0.1UF 25V 10% X7R 0603	H 2
C994	135505-1	CAP, 0.1UF 25V 10% X7R 0603	H 2
C995	135505-1	CAP, 0.1UF 25V 10% X7R 0603	I 1
C996	135505-1	CAP, 0.1UF 25V 10% X7R 0603	I 1
D1		OPEN	M 9
D2		OPEN	M 8
D3	135343-1	DIODE, DUAL MMBD4148SE SOT-23	C 2
D4	135343-1	DIODE, DUAL MMBD4148SE SOT-23	I 2
D5		OPEN	M 8
D6		OPEN	G 8
D7	C 9773-0	DIODE, ZENER 5.1V 1N5231 SMT	Q 2
D8	C 9283-0	DIODE, MMBD4148/914 SOT-23 SMT	Q 4
D9	C 9773-0	DIODE, ZENER 5.1V 1N5231 SMT	Q 1
D10	C 9283-0	DIODE, MMBD4148/914 SOT-23 SMT	Q 4
D11	C 9283-0	DIODE, MMBD4148/914 SOT-23 SMT	N 7
D12		OPEN	N 7
D13	132040-1	DIODE, 100V 3A SMC	N 7
D14		OPEN	N 8
D15	132040-1	DIODE, 100V 3A SMC	N 8
D16		OPEN	N 8
D17	132040-1	DIODE, 100V 3A SMC	N 8
D18		OPEN	N 9
D19	132040-1	DIODE, 100V 3A SMC	N 9
D20	136292-1	DIODE, EMCON 600V 30A TO220	N 5
D21	136292-1	DIODE, EMCON 600V 30A TO220	N 6
D22	136292-1	DIODE, EMCON 600V 30A TO220	N 6
D23	136292-1	DIODE, EMCON 600V 30A TO220	N 7
D24	139544-1	PRP, 125427-1 (RBV5006) .420	N 3
D25	C 9773-0	DIODE, ZENER 5.1V 1N5231 SMT	P 1
D26	132040-1	DIODE, 100V 3A SMC	P 3
D27	C 9283-0	DIODE, MMBD4148/914 SOT-23 SMT	P 1
D28	131648-1	DIODE, ZENER 500MW 16V SOD 123	P 1
D29	131648-1	DIODE, ZENER 500MW 16V SOD 123	P 1
D30	138997-1	DIODE, 600V 1A SMA	N 2
D31	131648-1	DIODE, ZENER 500MW 16V SOD 123	P 1
D32		OPEN	G 8
D33		OPEN	B 10
D34		OPEN	C 9
D35		OPEN	F 9
D36		OPEN	F 9
D37		OPEN	K 10
D38		OPEN	J 9
D39		OPEN	G 8
D40	126549-1	DIODE,30V 200MA SCHOTTKY SOT23	N 1
D41		OPEN	M 8
D42		OPEN	H 9
D43		OPEN	H 9
D44		OPEN	M 8
D45		OPEN	G 8

139087-14 REV. A		PWA, XTI1000	600029
D46	126549-1	DIODE,30V 200MA SCHOTTKY SOT23	Q 3
D47	C10370-2	DIODE, ZENER 10V MMBZ5240BL	Q 2
D48	C10370-2	DIODE, ZENER 10V MMBZ5240BL	Q 2
D49		OPEN	M 9
D50		OPEN	C 10
D52		OPEN	D 9
D54	132040-1	DIODE, 100V 3A SMC	A 2
D55	132040-1	DIODE, 100V 3A SMC	B 3
D56	C 9773-0	DIODE, ZENER 5.1V 1N5231 SMT	H 3
D57	C 9773-0	DIODE, ZENER 5.1V 1N5231 SMT	H 3
D58	C 9773-0	DIODE, ZENER 5.1V 1N5231 SMT	H 2
D59	C 9773-0	DIODE, ZENER 5.1V 1N5231 SMT	H 2
D60		OPEN	C 10
D62		OPEN	D 9
D64		OPEN	L 10
D66		OPEN	K 9
D68	135343-1	DIODE, DUAL MMBD4148SE SOT-23	P 1
D69		OPEN	L 10
D71		OPEN	K 9
D73		OPEN	B 10
D74		OPEN	C 9
D75		OPEN	L 10
D76		OPEN	K 9
D77		OPEN	G 9
D78		OPEN	G 9
D79		OPEN	G 9
D80		OPEN	G 9
D100	C 9283-0	DIODE, MMBD4148/914 SOT-23 SMT	F 3
D101	135343-1	DIODE, DUAL MMBD4148SE SOT-23	E 3
D102	135343-1	DIODE, DUAL MMBD4148SE SOT-23	D 2
D103	135343-1	DIODE, DUAL MMBD4148SE SOT-23	D 2
D108	C 9283-0	DIODE, MMBD4148/914 SOT-23 SMT	C 8
D109	C 9283-0	DIODE, MMBD4148/914 SOT-23 SMT	B 8
D110	125620-1	DIODE, FAST RECOVERY 400V 1A	C 8
D111	125620-1	DIODE, FAST RECOVERY 400V 1A	B 8
D112	125620-1	DIODE, FAST RECOVERY 400V 1A	D 8
D113	125620-1	DIODE, FAST RECOVERY 400V 1A	A 8
D114	137615-1	DIODE, 8A 400V SMC	C 8
D115	137615-1	DIODE, 8A 400V SMC	B 8
D116	C 9283-0	DIODE, MMBD4148/914 SOT-23 SMT	H 3
D117	135343-1	DIODE, DUAL MMBD4148SE SOT-23	D 2
D118	135343-1	DIODE, DUAL MMBD4148SE SOT-23	D 2
D119	135343-1	DIODE, DUAL MMBD4148SE SOT-23	D 1
D120	131648-1	DIODE, ZENER 500MW 16V SOD 123	E 8
D121	131648-1	DIODE, ZENER 500MW 16V SOD 123	E 3
D122	135343-1	DIODE, DUAL MMBD4148SE SOT-23	K 2
D123	131648-1	DIODE, ZENER 500MW 16V SOD 123	C 8
D124	135343-1	DIODE, DUAL MMBD4148SE SOT-23	K 2
D125	131648-1	DIODE, ZENER 500MW 16V SOD 123	B 8
D126	C 9283-0	DIODE, MMBD4148/914 SOT-23 SMT	D 2
D127	C 9283-0	DIODE, MMBD4148/914 SOT-23 SMT	E 3
D128	135343-1	DIODE, DUAL MMBD4148SE SOT-23	E 1
D129	135343-1	DIODE, DUAL MMBD4148SE SOT-23	B 2
D130	C 9283-0	DIODE, MMBD4148/914 SOT-23 SMT	L 3
D131	135343-1	DIODE, DUAL MMBD4148SE SOT-23	L 3
D134	135343-1	DIODE, DUAL MMBD4148SE SOT-23	E 2
D135	135343-1	DIODE, DUAL MMBD4148SE SOT-23	K 2
D136	135343-1	DIODE, DUAL MMBD4148SE SOT-23	C 2
D137	135343-1	DIODE, DUAL MMBD4148SE SOT-23	C 2

139087-14 REV. A		PWA, XT11000	600029
D138	C 9283-0	DIODE, MMBD4148/914 SOT-23 SMT	L 8
D139	C 9283-0	DIODE, MMBD4148/914 SOT-23 SMT	K 8
D140	125620-1	DIODE, FAST RECOVERY 400V 1A	L 8
D141	125620-1	DIODE, FAST RECOVERY 400V 1A	K 8
D142	125620-1	DIODE, FAST RECOVERY 400V 1A	M 8
D143	125620-1	DIODE, FAST RECOVERY 400V 1A	J 8
D144	137615-1	DIODE, 8A 400V SMC	L 8
D145	137615-1	DIODE, 8A 400V SMC	K 8
D146	C 9283-0	DIODE, MMBD4148/914 SOT-23 SMT	H 3
D147	135343-1	DIODE, DUAL MMBD4148SE SOT-23	K 2
D148	135343-1	DIODE, DUAL MMBD4148SE SOT-23	K 2
D149	135343-1	DIODE, DUAL MMBD4148SE SOT-23	E 3
D150	131648-1	DIODE, ZENER 500MW 16V SOD 123	L 8
D151	131648-1	DIODE, ZENER 500MW 16V SOD 123	L 3
D153	131648-1	DIODE, ZENER 500MW 16V SOD 123	L 8
D155	131648-1	DIODE, ZENER 500MW 16V SOD 123	K 8
D156	C 9283-0	DIODE, MMBD4148/914 SOT-23 SMT	K 2
D157	C 9283-0	DIODE, MMBD4148/914 SOT-23 SMT	L 3
D158	131648-1	DIODE, ZENER 500MW 16V SOD 123	L 8
D159	135343-1	DIODE, DUAL MMBD4148SE SOT-23	L 2
D160	131648-1	DIODE, ZENER 500MW 16V SOD 123	K 3
D161	131648-1	DIODE, ZENER 500MW 16V SOD 123	E 8
D162	131648-1	DIODE, ZENER 500MW 16V SOD 123	E 3
D163	C 9283-0	DIODE, MMBD4148/914 SOT-23 SMT	D 8
D164	C 9283-0	DIODE, MMBD4148/914 SOT-23 SMT	A 8
D165	C 9283-0	DIODE, MMBD4148/914 SOT-23 SMT	M 8
D166	C 9283-0	DIODE, MMBD4148/914 SOT-23 SMT	J 8
D167	135343-1	DIODE, DUAL MMBD4148SE SOT-23	H 3
D168	135343-1	DIODE, DUAL MMBD4148SE SOT-23	H 3
D169	135343-1	DIODE, DUAL MMBD4148SE SOT-23	H 2
D170	135343-1	DIODE, DUAL MMBD4148SE SOT-23	H 3
D171	135343-1	DIODE, DUAL MMBD4148SE SOT-23	I 2
D172	135343-1	DIODE, DUAL MMBD4148SE SOT-23	I 2
D173	135343-1	DIODE, DUAL MMBD4148SE SOT-23	K 3
D174	C 9283-0	DIODE, MMBD4148/914 SOT-23 SMT	D 3
D175	C 9283-0	DIODE, MMBD4148/914 SOT-23 SMT	J 3
D176		OPEN	F 8
D177		OPEN	F 10
D178		OPEN	H 8
D179		OPEN	H 10
D180	C10067-4	DIODE, 1A 100V SILICON SMT T/R	D 5
D181	C10067-4	DIODE, 1A 100V SILICON SMT T/R	D 5
D182	C10067-4	DIODE, 1A 100V SILICON SMT T/R	D 5
D183		OPEN	D 8
D184		OPEN	A 8
D185		OPEN	L 8
D186		OPEN	J 8
D187	C10067-4	DIODE, 1A 100V SILICON SMT T/R	J 5
D188	C10067-4	DIODE, 1A 100V SILICON SMT T/R	J 5
D189	C10067-4	DIODE, 1A 100V SILICON SMT T/R	J 5
D190	C10067-4	DIODE, 1A 100V SILICON SMT T/R	J 5
D191	C10067-4	DIODE, 1A 100V SILICON SMT T/R	C 5
D801	125593-1	DIODE, SCHOTTKY 40V 1A SMA	J 1
E1	126473-1	LED, GRN SMT 1206	H 1
F1	A10285-28	FUSE, 20A 3AB LITL FUSE #314020	Q 10
F1X	C 8908-3	CLIP, DUAL FUSE PC MOUNT	Q 10
F1XX	C 8908-3	CLIP, DUAL FUSE PC MOUNT	Q 10
FB1	125846-1	FERRITE BEAD, 600 OHM .5A 0805	F 1
FB2	125846-1	FERRITE BEAD, 600 OHM .5A 0805	F 1

139087-14 REV. A		PWA, XTi1000	600029
FB3	125846-1	FERRITE BEAD, 600 OHM .5A 0805	G 2
FB4	125846-1	FERRITE BEAD, 600 OHM .5A 0805	G 2
FB6	125846-1	FERRITE BEAD, 600 OHM .5A 0805	H 1
FB7	125846-1	FERRITE BEAD, 600 OHM .5A 0805	I 1
HS1	139135-3	HEATSINK, CEQUEL BASE	D 7
HS1B	139134-1	FINS, CEQUEL	E 7
HS1C	139738-1	XSISTOR, NPN MJ15024G	F 7
HS1D	102719-1	6-32X.312 TORX PAN HD TFS	F 6
HS1E	102719-1	6-32X.312 TORX PAN HD TFS	F 7
HS1F	139738-1	XSISTOR, NPN MJ15024G	E 7
HS1G	102719-1	6-32X.312 TORX PAN HD TFS	D 6
HS1H	102719-1	6-32X.312 TORX PAN HD TFS	E 7
HS1I	139738-1	XSISTOR, NPN MJ15024G	C 7
HS1J	102719-1	6-32X.312 TORX PAN HD TFS	B 6
HS1K	102719-1	6-32X.312 TORX PAN HD TFS	C 7
HS1L		OPEN	B 7
HS1M		OPEN	A 6
HS1N		OPEN	B 7
HS1O	139134-1	FINS, CEQUEL	B 7
HS2	139299-3	HEATSINK, CEQUEL BASE FRONT	D 4
HS2B	139134-1	FINS, CEQUEL	E 4
HS2C	139737-1	XSISTOR, PNP MJ15025G	F 4
HS2D	102719-1	6-32X.312 TORX PAN HD TFS	F 4
HS2E	102719-1	6-32X.312 TORX PAN HD TFS	F 5
HS2F	139737-1	XSISTOR, PNP MJ15025G	E 4
HS2G	102719-1	6-32X.312 TORX PAN HD TFS	E 4
HS2H	102719-1	6-32X.312 TORX PAN HD TFS	D 5
HS2I	139737-1	XSISTOR, PNP MJ15025G	C 4
HS2J	102719-1	6-32X.312 TORX PAN HD TFS	C 4
HS2K	102719-1	6-32X.312 TORX PAN HD TFS	C 5
HS2L		OPEN	B 4
HS2M		OPEN	B 4
HS2N		OPEN	A 5
HS2O	139134-1	FINS, CEQUEL	B 4
HS3		OPEN	D 3
HS4		OPEN	D 6
HS5	139135-3	HEATSINK, CEQUEL BASE	J 7
HS5B	139134-1	FINS, CEQUEL	K 7
HS5C	139738-1	XSISTOR, NPN MJ15024G	L 7
HS5D	102719-1	6-32X.312 TORX PAN HD TFS	L 6
HS5E	102719-1	6-32X.312 TORX PAN HD TFS	L 7
HS5F	139738-1	XSISTOR, NPN MJ15024G	K 7
HS5G	102719-1	6-32X.312 TORX PAN HD TFS	K 6
HS5H	102719-1	6-32X.312 TORX PAN HD TFS	K 7
HS5I	139738-1	XSISTOR, NPN MJ15024G	I 7
HS5J	102719-1	6-32X.312 TORX PAN HD TFS	I 6
HS5K	102719-1	6-32X.312 TORX PAN HD TFS	I 7
HS5L		OPEN	H 7
HS5M		OPEN	G 6
HS5N		OPEN	H 7
HS5O	139134-1	FINS, CEQUEL	I 7
HS6	139299-3	HEATSINK, CEQUEL BASE FRONT	J 4
HS6B	139134-1	FINS, CEQUEL	K 4
HS6C	139737-1	XSISTOR, PNP MJ15025G	L 4
HS6D	102719-1	6-32X.312 TORX PAN HD TFS	L 4
HS6E	102719-1	6-32X.312 TORX PAN HD TFS	L 5
HS6F	139737-1	XSISTOR, PNP MJ15025G	K 4
HS6G	102719-1	6-32X.312 TORX PAN HD TFS	K 4
HS6H	102719-1	6-32X.312 TORX PAN HD TFS	K 5

139087-14 REV. A		PWA, XTI1000	600029
HS6I	139737-1	XSISTOR, PNP MJ15025G	I 4
HS6J	102719-1	6-32X.312 TORX PAN HD TFS	I 4
HS6K	102719-1	6-32X.312 TORX PAN HD TFS	I 5
HS6L		OPEN	H 4
HS6M		OPEN	H 4
HS6N		OPEN	G 5
HS6O	139134-1	FINS, CEQUEL	H 4
HS7		OPEN	J 3
HS8		OPEN	J 6
HS9		OPEN	F 9
HS9A		OPEN	H 9
HS9B		OPEN	H 10
HS9C		OPEN	H 9
HS9D		OPEN	H 9
HS9E		OPEN	H 8
HS9F		OPEN	F 8
HS9G		OPEN	F 9
HS9H		OPEN	F 9
HS9I		OPEN	F 10
HS13	139276-2	HEATSINK, CEQUEL POWER SUPPLY	M 3
HS13B	140180-1	CLIP, 2 FINGER TO-220	M 1
HS13C	140180-1	CLIP, 2 FINGER TO-220	M 2
HS13D	140180-1	CLIP, 2 FINGER TO-220	N 3
HS13E	139312-1	INSULATOR, CERAMIC 3.95X.85	M 3
HS13F	139421-3	RETAINER, XTI HEATSINK	M 1
HS13G	139421-3	RETAINER, XTI HEATSINK	M 5
HS14	139948-1	HEATSINK, W/PAD PS ASSY	M 7
HS14B		OPEN	M 7
HS14C	139421-3	RETAINER, XTI HEATSINK	M 5
HS14D	139421-3	RETAINER, XTI HEATSINK	M 9
HS14E	140180-1	CLIP, 2 FINGER TO-220	M 6
HS14F	140180-1	CLIP, 2 FINGER TO-220	M 7
HS14G		OPEN	M 8
HS14H		OPEN	M 9
HW1	140089-1	SPRING, NEGATIVE CONTACT	A 11
HW3	139901-1	CLIP, XTI HEATSINK	M 7
HW4	139901-1	CLIP, XTI HEATSINK	M 4
HW5	101016-1	LBL, BARCODE	A 10
HW6	139757-1	PRP, 133589-1 CUT IN HALF	M 5
HW7	139360-1	GAPFILLER, THERMALLY CONDUCTIVE	D 6
HW8	139360-1	GAPFILLER, THERMALLY CONDUCTIVE	J 6
HW9	139360-1	GAPFILLER, THERMALLY CONDUCTIVE	M 5
HW10	139360-1	GAPFILLER, THERMALLY CONDUCTIVE	D 7
HW11	139360-1	GAPFILLER, THERMALLY CONDUCTIVE	J 7
HW12	139360-1	GAPFILLER, THERMALLY CONDUCTIVE	D 4
HW13	139360-1	GAPFILLER, THERMALLY CONDUCTIVE	J 4
J1	138976-1	CONN, USB B RA TH	A 12
J2		OPEN	I 1
J3	138323-2	BDG POST, QUAD RA NO-TOUCH	M 12
J4	138319-1	XLR, FEM HORZ PC PLASTIC	C 12
J5	138319-1	XLR, FEM HORZ PC PLASTIC	D 12
J7		OPEN	G 12
J8	102473-1	SPEAKON, 4 POLE PCB HORZ	J 12
J9	102473-1	SPEAKON, 4 POLE PCB HORZ	K 12
J10	139530-1	CONN, 20PIN HEADER 0.1" CTR SHROUDED TH	E 1
J11		OPEN	F 11
J12		OPEN	H 12
J15	101571-1	HDR, 2 POS .1 CTR MTA SHRD	J 11
J20		OPEN	N 8

139087-14 REV. A		PWA, XT11000	600029
J21	127064-1	TEST POINT, SMT 1206	N 9
J22	127064-1	TEST POINT, SMT 1206	N 11
J23		OPEN	N 9
J24	127064-1	TEST POINT, SMT 1206	G 1
J25	127064-1	TEST POINT, SMT 1206	F 8
J26	127064-1	TEST POINT, SMT 1206	F 10
J27	127064-1	TEST POINT, SMT 1206	H 8
J28	127064-1	TEST POINT, SMT 1206	H 10
J29		OPEN	N 8
J30		OPEN	N 8
J31		OPEN	M 9
J32		OPEN	M 9
J33	127064-1	TEST POINT, SMT 1206	N 9
J34	127064-1	TEST POINT, SMT 1206	N 11
J35	127064-1	TEST POINT, SMT 1206	N 9
J36	127064-1	TEST POINT, SMT 1206	N 11
J37	127064-1	TEST POINT, SMT 1206	F 8
J38	127064-1	TEST POINT, SMT 1206	F 10
J39	127064-1	TEST POINT, SMT 1206	H 8
J40	127064-1	TEST POINT, SMT 1206	H 10
K1	C10335-5	RELAY 30A 24V T90 SEALED CE	Q 4
K2	C10335-5	RELAY 30A 24V T90 SEALED CE	Q 5
L1	139523-1	CHOKE, CM 20T 5000 PERM	P 10
L2	139523-1	CHOKE, CM 20T 5000 PERM	P 8
L3	133866-1	INDUCTOR, 4.3UH 16AWG VERT	Q 7
L4		OPEN	E 9
L5		OPEN	D 10
L6		OPEN	I 9
L7		OPEN	J 10
L100	102470-1	INDUCTOR, 2.75UH 11A RADIAL	B 9
L101	102470-1	INDUCTOR, 2.75UH 11A RADIAL	L 9
L801	138946-1	IND, 470UH 0.5A SMT	J 1
P1	138443-1	XLR, MALE HORZ PC PLASTIC	B 12
P2	138443-1	XLR, MALE HORZ PC PLASTIC	E 12
P3		OPEN	B 11
P4	138320-1	IEC, ISA RA PC MNT	Q 12
PWB1	138348-9	PWB, CEQUEL MAIN	Q 12
Q1		OPEN	M 9
Q2		OPEN	M 9
Q5	102483-1	PNP 300V 500MA SOT-23	L 1
Q6	137218-1	SCR, 12A MCR12DSN DPAK 369A	L 1
Q7	C 7448-1	MMBT3904 CHIP NPN	N 1
Q8	132242-1	XSISTOR, NPN SOT 23 MMBTA42LT1	Q 2
Q9		OPEN	F 3
Q10		OPEN	F 3
Q13		OPEN	I 2
Q14		OPEN	I 2
Q15	125798-1	XSTR,MMBT3906 LT3 10K REEL	N 1
Q16	139686-1	XSISTOR, MPSW45 50V 1W TO92	Q 3
Q17	125798-1	XSTR,MMBT3906 LT3 10K REEL	Q 2
Q18	C 8103-1	MPSW42 300V 1 WATT NPN T/R	Q 2
Q21	125798-1	XSTR,MMBT3906 LT3 10K REEL	Q 1
Q22	C 8103-1	MPSW42 300V 1 WATT NPN T/R	Q 1
Q23	127169-1	MOSFET, P-CH 50V 150MA SOT-23	I 1
Q24	C 7448-1	MMBT3904 CHIP NPN	J 11
Q25	125798-1	XSTR,MMBT3906 LT3 10K REEL	M 3
Q26	131046-1	TRANSISTOR, KSC3265 NPN SOT-23	N 1
Q27	131047-1	TRANSISTOR, KSA1298 PNP SOT-23	N 1
Q28	139706-1	PRP, 137992-1 (40NC60VD) .420	N 1

139087-14 REV. A		PWA, XTI1000	600029
Q29	131046-1	TRANSISTOR, KSC3265 NPN SOT-23	N 2
Q30	131047-1	TRANSISTOR, KSA1298 PNP SOT-23	N 2
Q31	139706-1	PRP, 137992-1 (40NC60VD) .420	N 2
Q32	125798-1	XSTR,MMBT3906 LT3 10K REEL	I 11
Q33		OPEN	G 9
Q34	C 8103-1	MPSW42 300V 1 WATT NPN T/R	G 11
Q35	C 8103-1	MPSW42 300V 1 WATT NPN T/R	G 11
Q36	C 8103-1	MPSW42 300V 1 WATT NPN T/R	H 11
Q37	C 8103-1	MPSW42 300V 1 WATT NPN T/R	H 11
Q38		OPEN	G 8
Q39	C 8103-1	MPSW42 300V 1 WATT NPN T/R	O 1
Q40	C 8103-1	MPSW42 300V 1 WATT NPN T/R	O 1
Q41	C 8103-1	MPSW42 300V 1 WATT NPN T/R	O 1
Q42		OPEN	G 8
Q43		OPEN	G 10
Q44		OPEN	G 10
Q45		OPEN	G 9
Q46		OPEN	G 9
Q47		OPEN	F 8
Q48		OPEN	F 10
Q49		OPEN	G 9
Q50		OPEN	G 9
Q51		OPEN	G 9
Q52		OPEN	J 9
Q53		OPEN	K 10
Q54		OPEN	C 9
Q55		OPEN	B 10
Q56		OPEN	G 8
Q57		OPEN	G 10
Q58		OPEN	G 10
Q59		OPEN	G 9
Q60		OPEN	H 8
Q61		OPEN	H 10
Q62		OPEN	G 9
Q63		OPEN	G 8
Q64		OPEN	G 9
Q65		OPEN	G 9
Q69	C 8103-1	MPSW42 300V 1 WATT NPN T/R	F 11
Q70	C 8103-1	MPSW42 300V 1 WATT NPN T/R	F 11
Q79	C 8103-1	MPSW42 300V 1 WATT NPN T/R	F 11
Q80	C 8103-1	MPSW42 300V 1 WATT NPN T/R	H 11
Q100	C 3810-6	MPSA42 300V NPN T/R	E 2
Q102	501972-1	MPSA92 300V PNP T/A	E 3
Q103	C 9931-4	MMBT5087LT1 PNP XSISTOR SOT-23	E 2
Q104	C 9931-4	MMBT5087LT1 PNP XSISTOR SOT-23	E 3
Q105	501972-1	MPSA92 300V PNP T/A	C 3
Q106	501972-1	MPSA92 300V PNP T/A	C 3
Q107	C 3810-6	MPSA42 300V NPN T/R	D 3
Q108	C 3810-6	MPSA42 300V NPN T/R	D 3
Q109	C 7448-1	MMBT3904 CHIP NPN	D 7
Q110	C 7448-1	MMBT3904 CHIP NPN	D 8
Q111	125798-1	XSTR,MMBT3906 LT3 10K REEL	B 8
Q112	C 8103-1	MPSW42 300V 1 WATT NPN T/R	C 6
Q113	C 8104-9	MPSW92 300V 1 WATT PNP T/R	C 3
Q114	139426-1	PRP, 136168/137779 GRN (15033)	D 6
Q115	139425-1	PRP, 136167/137779 BLU (15032)	D 3
Q116	501972-1	MPSA92 300V PNP T/A	E 3
Q117	C 3810-6	MPSA42 300V NPN T/R	K 2
Q119	501972-1	MPSA92 300V PNP T/A	L 3

139087-14 REV. A		PWA, XTI1000	600029
Q120	C 9931-4	MMBT5087LT1 PNP XSISTOR SOT-23	K 2
Q121	C 9931-4	MMBT5087LT1 PNP XSISTOR SOT-23	K 3
Q122	501972-1	MPSA92 300V PNP T/A	J 3
Q123	501972-1	MPSA92 300V PNP T/A	J 3
Q124	C 3810-6	MPSA42 300V NPN T/R	K 3
Q125	C 3810-6	MPSA42 300V NPN T/R	K 3
Q126	C 7448-1	MMBT3904 CHIP NPN	J 7
Q127	C 7448-1	MMBT3904 CHIP NPN	L 8
Q128	125798-1	XSTR,MMBT3906 LT3 10K REEL	J 8
Q129	C 8103-1	MPSW42 300V 1 WATT NPN T/R	I 6
Q130	C 7448-1	MMBT3904 CHIP NPN	C 2
Q131	C 8104-9	MPSW92 300V 1 WATT PNP T/R	J 3
Q132	139426-1	PRP, 136168/137779 GRN (15033)	J 6
Q133	139425-1	PRP, 136167/137779 BLU (15032)	J 3
Q134	501972-1	MPSA92 300V PNP T/A	E 2
Q135	C 7448-1	MMBT3904 CHIP NPN	L 2
Q136	501972-1	MPSA92 300V PNP T/A	K 3
Q137	501972-1	MPSA92 300V PNP T/A	K 2
Q138		OPEN	G 8
Q140		OPEN	G 8
Q141		OPEN	D 2
Q142		OPEN	J 2
Q802	C 7448-1	MMBT3904 CHIP NPN	K 1
Q803	132065-1	MOSFET, P-CH 60V 0.8 OHM 1.17A	J 1
R1		OPEN	M 8
R2		OPEN	M 9
R3		OPEN	M 8
R5	A11368-10020	RES, 10.0 KOHM 1/16W 1% 0603	H 1
R6		OPEN	G 8
R7		OPEN	G 8
R8		OPEN	G 8
R9	A11368-10020	RES, 10.0 KOHM 1/16W 1% 0603	I 1
R10	A11368-10010	RES, 1.0 KOHM 1/16W 1% 0603	L 1
R11	A11368-10020	RES, 10.0 KOHM 1/16W 1% 0603	K 1
R12	A11368-10010	RES, 1.0 KOHM 1/16W 1% 0603	L 1
R13	A11368-10010	RES, 1.0 KOHM 1/16W 1% 0603	F 2
R14		OPEN	G 3
R15	A11368-10010	RES, 1.0 KOHM 1/16W 1% 0603	H 1
R16	A11368-10020	RES, 10.0 KOHM 1/16W 1% 0603	H 1
R17	A11368-63411	6.34K 0.10W 1% CHIP 0805	I 2
R18	A11368-63411	6.34K 0.10W 1% CHIP 0805	F 3
R19	A11368-15010	RES, 1.5 K OHM 1/16W 1% 0603	A 11
R20	A11368-63411	6.34K 0.10W 1% CHIP 0805	I 2
R21		OPEN	G 3
R22	A11368-10020	RES, 10.0 KOHM 1/16W 1% 0603	I 1
R23	A11371-8205	82 OHM 1W 5% SMD 2512	D 11
R24	A11368-75R03	75 OHM .25W 1% 1210 T/R	C 11
R25	A11368-75R03	75 OHM .25W 1% 1210 T/R	C 11
R26	A11368-10020	RES, 10.0 KOHM 1/16W 1% 0603	D 2
R27	A11368-10020	RES, 10.0 KOHM 1/16W 1% 0603	C 2
R28	A11368-10020	RES, 10.0 KOHM 1/16W 1% 0603	C 2
R29	A11368-10020	RES, 10.0 KOHM 1/16W 1% 0603	D 2
R30	A11368-24910	RES, 2.49 KOHM 1/16W 1% 0603	C 1
R31	A11368-54911	5.49K 0.1W 1% 0805 T/R	C 1
R32	A11368-10010	RES, 1.0 KOHM 1/16W 1% 0603	F 2
R33	A11368-24910	RES, 2.49 KOHM 1/16W 1% 0603	B 2
R34	A11368-24910	RES, 2.49 KOHM 1/16W 1% 0603	C 2
R35	A11368-10020	RES, 10.0 KOHM 1/16W 1% 0603	I 1
R36	A11368-24910	RES, 2.49 KOHM 1/16W 1% 0603	C 2

139087-14 REV. A	PWA, XTI1000	600029
R37	A11368-24910 RES, 2.49 KOHM 1/16W 1% 0603	C 1
R38	A11368-82500 RES, 825 OHM 1/16W 1% 0603	C 2
R39	A11368-82500 RES, 825 OHM 1/16W 1% 0603	B 1
R40	A11368-25500 RES, 255 OHM 1/16W 1% 0603	D 2
R41	A11368-25500 RES, 255 OHM 1/16W 1% 0603	D 2
R42	A11368-10020 RES, 10.0 KOHM 1/16W 1% 0603	D 2
R43	A11368-47001 470 OHM, 0.10W 1% MF 0805	I 11
R44	A11368-75R03 75 OHM .25W 1% 1210 T/R	D 11
R45	A11368-75R03 75 OHM .25W 1% 1210 T/R	D 11
R46	A11368-10020 RES, 10.0 KOHM 1/16W 1% 0603	E 2
R47	A11368-10020 RES, 10.0 KOHM 1/16W 1% 0603	E 2
R48	A11368-10020 RES, 10.0 KOHM 1/16W 1% 0603	E 2
R49	A11368-10020 RES, 10.0 KOHM 1/16W 1% 0603	E 2
R50	A11368-24910 RES, 2.49 KOHM 1/16W 1% 0603	E 1
R51	A11368-29421 29.4 KOHM .1W 1% 0805 T/R	F 3
R52	A11368-63411 6.34K 0.10W 1% CHIP 0805	F 3
R53	A11368-29421 29.4 KOHM .1W 1% 0805 T/R	F 3
R54	A11368-29421 29.4 KOHM .1W 1% 0805 T/R	I 2
R55	A11368-29421 29.4 KOHM .1W 1% 0805 T/R	I 2
R56	A11368-17820 RES, 17.8 KOHM 1/16W 1% 0603	F 3
R57	A11368-17820 RES, 17.8 KOHM 1/16W 1% 0603	I 2
R58	A11368-17820 RES, 17.8 KOHM 1/16W 1% 0603	F 3
R59	A11368-17820 RES, 17.8 KOHM 1/16W 1% 0603	I 2
R60	A11368-54911 5.49K 0.1W 1% 0805 T/R	E 1
R61	A11371-8205 82 OHM 1W 5% SMD 2512	B 11
R62	A11368-24910 RES, 2.49 KOHM 1/16W 1% 0603	D 2
R63	A11368-24910 RES, 2.49 KOHM 1/16W 1% 0603	D 2
R64	A11368-10020 RES, 10.0 KOHM 1/16W 1% 0603	H 2
R65	A11368-24910 RES, 2.49 KOHM 1/16W 1% 0603	D 2
R66	A11368-24910 RES, 2.49 KOHM 1/16W 1% 0603	D 1
R67	A11368-82500 RES, 825 OHM 1/16W 1% 0603	E 2
R68	A11368-82500 RES, 825 OHM 1/16W 1% 0603	D 1
R69	A11368-25500 RES, 255 OHM 1/16W 1% 0603	D 2
R70	A11368-25500 RES, 255 OHM 1/16W 1% 0603	D 2
R71	A11368-10020 RES, 10.0 KOHM 1/16W 1% 0603	D 2
R72	A11368-33R20 RES, 33.2 OHM 1/16W 1% 0603	A 11
R73	A11368-36511 3.65KOHM .1W 1% 0805 T/R	H 3
R74	A11368-47520 RES, 47.5 K OHM 1/16W 1% 0603	H 1
R75	OPEN	B 10
R76	OPEN	B 10
R77	OPEN	B 10
R78	A11368-11820 RES, 11.8K 1% 1/16W 0603	E 3
R79	A11368-15031 150K 1/10W 1% SMD 0805 T/R	E 3
R80	A11368-11820 RES, 11.8K 1% 1/16W 0603	K 3
R81	A11368-15031 150K 1/10W 1% SMD 0805 T/R	K 3
R82	OPEN	B 8
R83	A11368-1R001 1 OHM .1W 1% 0805 T/R	A 9
R84	A11368-30101 301 OHM .1W 1% 0805 T/R	M 12
R85	OPEN	C 9
R86	OPEN	C 9
R87	A11368-1R001 1 OHM .1W 1% 0805 T/R	L 12
R88	A11368-24921 24.9K 1/10W 1% SMD 0805 T/R	G 3
R89	OPEN	K 8
R90	A11368-1R001 1 OHM .1W 1% 0805 T/R	L 9
R91	A11368-30101 301 OHM .1W 1% 0805 T/R	N 12
R92	A11368-1R001 1 OHM .1W 1% 0805 T/R	N 12
R93	OPEN	C 9
R94	OPEN	B 10
R95	A11368-10010 RES, 1.0 KOHM 1/16W 1% 0603	I 1

139087-14 REV. A		PWA, XT11000	600029
R96	A11368-10010	RES, 1.0 KOHM 1/16W 1% 0603	I 1
R97	A11368-20021	20.KOHM .1W 1% CHIP 0805	I 11
R98		OPEN	F 11
R99		OPEN	G 9
R100	A11368-47001	470 OHM, 0.10W 1% MF 0805	D 2
R101	A11368-47001	470 OHM, 0.10W 1% MF 0805	K 2
R102	A11368-33R20	RES, 33.2 OHM 1/16W 1% 0603	A 11
R103	A11371-8205	82 OHM 1W 5% SMD 2512	A 2
R104	A11368-47001	470 OHM, 0.10W 1% MF 0805	E 2
R105	A11371-8205	82 OHM 1W 5% SMD 2512	A 3
R106	A11368-30120	RES, 30.1 KOHM 1/16W 1% 0603	G 3
R107	A11368-22101	221OHM 0.1W 1% 0805 T/R	F 3
R108	A11368-20021	20.KOHM .1W 1% CHIP 0805	E 3
R109	A11368-22101	221OHM 0.1W 1% 0805 T/R	E 2
R110	A11368-22101	221OHM 0.1W 1% 0805 T/R	E 3
R111		OPEN	F 3
R112		OPEN	J 11
R113	A11368-10031	100.KOHM .1W 1% CHIP 0805	G 3
R114	A11368-47001	470 OHM, 0.10W 1% MF 0805	E 2
R115	A11368-20021	20.KOHM .1W 1% CHIP 0805	E 3
R116	A11368-10020	RES, 10.0 KOHM 1/16W 1% 0603	F 3
R117	A11368-10010	RES, 1.0 KOHM 1/16W 1% 0603	N 1
R118	A11368-37411	3.74K OHM 1% 0.1W 0805 T/R	D 2
R119		OPEN	F 3
R120	A11368-10020	RES, 10.0 KOHM 1/16W 1% 0603	B 2
R121	A11368-18211	1.82KOHM .1W 1% 0805 T/R	B 2
R122	A11368-10020	RES, 10.0 KOHM 1/16W 1% 0603	B 2
R123	A11368-10020	RES, 10.0 KOHM 1/16W 1% 0603	B 3
R124	A11368-18211	1.82KOHM .1W 1% 0805 T/R	B 3
R125	A11368-10020	RES, 10.0 KOHM 1/16W 1% 0603	B 3
R126		OPEN	F 3
R127		OPEN	F 3
R128		OPEN	F 3
R129	A11368-47001	470 OHM, 0.10W 1% MF 0805	D 2
R130		OPEN	C 2
R131	A11368-10011	1.KOHM .1W 1% CHIP 0805	C 3
R132	A11368-10023	10.0KOHM .25W 1% 1210 T/R	C 3
R133	A11368-10023	10.0KOHM .25W 1% 1210 T/R	D 3
R134	A11368-51R10	RES, 51.1 OHM 1/16W 1% 0603	C 3
R135	A11368-51R10	RES, 51.1 OHM 1/16W 1% 0603	C 3
R136	A11368-51R10	RES, 51.1 OHM 1/16W 1% 0603	E 3
R137	A11368-10000	RES, 100 OHM 1/16W 1% 0603	E 3
R138	A11368-14311	1.43 KOHM 0.1W 1% 0805 SMT	G 3
R139	A11368-27430	RES, 274 KOHM 1/16W 1% 0603	P 1
R140	A11368-30120	RES, 30.1 KOHM 1/16W 1% 0603	I 3
R141	A11368-47001	470 OHM, 0.10W 1% MF 0805	K 2
R142	A11368-51R10	RES, 51.1 OHM 1/16W 1% 0603	E 3
R143	A11368-51111	5.11KOHM .1W 1% 0805 T/R	D 3
R144	133871-1	TRIMPOT, 500 OHM TOP ADJ T/R	D 3
R145		OPEN	K 10
R146		OPEN	K 10
R147	A11368-34001	RES, 340 OHM 1% 0.1W SMT 0805	C 6
R148	A11368-34001	RES, 340 OHM 1% 0.1W SMT 0805	C 3
R149	A11368-22R11	22.1 OHM 0.1W 1% 0805 T/R	D 5
R150	A11368-10003	100 OHM 0.25W 1% 1210 T/R	D 5
R151	A11368-51R10	RES, 51.1 OHM 1/16W 1% 0603	A 6
R152	A11368-51R10	RES, 51.1 OHM 1/16W 1% 0603	A 5
R153		OPEN	B 6
R154		OPEN	B 5

139087-14 REV. A		PWA, XTI1000	600029
R155	A11368-30101	301 OHM .1W 1% 0805 T/R	C 6
R156	A11368-30101	301 OHM .1W 1% 0805 T/R	C 5
R157	A11368-30101	301 OHM .1W 1% 0805 T/R	E 6
R158	A11368-30101	301 OHM .1W 1% 0805 T/R	F 6
R159	A11368-30101	301 OHM .1W 1% 0805 T/R	E 5
R160	A11368-30101	301 OHM .1W 1% 0805 T/R	F 5
R161	A11368-14311	1.43 KOHM 0.1W 1% 0805 SMT	C 2
R162	A11368-10023	10.0KOHM .25W 1% 1210 T/R	D 2
R163	A11368-10023	10.0KOHM .25W 1% 1210 T/R	C 2
R165	A11371-0R02	0. OHM .125W 5% CHIP RES T/R	D 8
R166	A11371-0R02	0. OHM .125W 5% CHIP RES T/R	A 8
R167	A11371-0R02	0. OHM .125W 5% CHIP RES T/R	M 8
R168	A11371-0R02	0. OHM .125W 5% CHIP RES T/R	J 8
R169	A11368-10010	RES, 1.0 KOHM 1/16W 1% 0603	C 2
R170	A11368-10010	RES, 1.0 KOHM 1/16W 1% 0603	C 3
R171	A11368-64900	649 OHM 1/16W 1% 0603 T/R	B 3
R172	A11368-20031	200K 0.1W 1% SMD CHIP 0805	B 3
R173	A11368-20031	200K 0.1W 1% SMD CHIP 0805	B 3
R174	A11368-49900	RES, 499 OHM 1/16W 1% 0603	B 3
R175	A11368-18211	1.82KOHM .1W 1% 0805 T/R	C 3
R176	A11368-19120	RES, 19.1 K OHM 1/16W 1% 0603	I 3
R177	A11368-20520	RES, 20.5 KOHM 1/16W 1% 0603	I 3
R178	A11368-10020	RES, 10.0 KOHM 1/16W 1% 0603	B 2
R179	A11368-12111	RES, 1.21K 1% 0.1W SMT 0805	D 3
R180	A11368-18211	1.82KOHM .1W 1% 0805 T/R	D 3
R181	A11368-24921	24.9K 1/10W 1% SMD 0805 T/R	I 3
R182	A11368-10010	RES, 1.0 KOHM 1/16W 1% 0603	E 3
R183	A11368-10010	RES, 1.0 KOHM 1/16W 1% 0603	C 2
R184	A11368-22R11	22.1 OHM 0.1W 1% 0805 T/R	D 3
R185	A11368-28003	280 OHM .25W 1% 1210 T/R	C 8
R186	A11368-28003	280 OHM .25W 1% 1210 T/R	B 8
R187	A11368-10023	10.0KOHM .25W 1% 1210 T/R	F 8
R188	A11368-10011	1.KOHM .1W 1% CHIP 0805	E 8
R189	A11368-18211	1.82KOHM .1W 1% 0805 T/R	D 8
R190	A11368-14721	14.7 KOHM .1W 1% 0805	F 8
R191	A11368-10011	1.KOHM .1W 1% CHIP 0805	E 3
R192	A11368-18211	1.82KOHM .1W 1% 0805 T/R	A 8
R193	A11368-10023	10.0KOHM .25W 1% 1210 T/R	E 3
R194	A11368-20001	200. OHM .1W 1% CHIP 0805	A 6
R195	A11368-20001	200. OHM .1W 1% CHIP 0805	A 5
R196	A11371-8205	82 OHM 1W 5% SMD 2512	C 8
R197	A11371-15R3	RES, 15 OHM .25W 5% 1210 T/R	B 9
R198		OPEN	J 11
R199		OPEN	G 3
R200	A11368-10023	10.0KOHM .25W 1% 1210 T/R	J 2
R201	139428-1	RES, 1.3K OHM 1% 1W RAD T/R	C 8
R202	A11368-10R03	10 OHM 0.25W 1% 1210 T/R	D 9
R203	A11368-28711	2.87K .1W 1% 0805 T/R	C 8
R204	A11368-10023	10.0KOHM .25W 1% 1210 T/R	J 2
R205	139428-1	RES, 1.3K OHM 1% 1W RAD T/R	B 8
R206	A11368-10R03	10 OHM 0.25W 1% 1210 T/R	A 9
R207	A11368-28711	2.87K .1W 1% 0805 T/R	B 8
R208	A11368-22101	221OHM 0.1W 1% 0805 T/R	L 3
R209	A11371-1052	1. MOHM .125W 5% CHIP RES T/R	G 3
R210	A11368-10041	1M OHM .1W 1% CHIP 0805	H 3
R211	A11368-47520	RES, 47.5 K OHM 1/16W 1% 0603	H 3
R212	A11368-36511	3.65KOHM .1W 1% 0805 T/R	H 3
R213	A11368-47520	RES, 47.5 K OHM 1/16W 1% 0603	H 3
R214	A11368-20021	20.KOHM .1W 1% CHIP 0805	K 3

139087-14 REV. A		PWA, XTI1000	600029
R215	A11368-22101	221OHM 0.1W 1% 0805 T/R	K 2
R216	A11368-22101	221OHM 0.1W 1% 0805 T/R	K 3
R217		OPEN	I 2
R218	A11368-10020	RES, 10.0 KOHM 1/16W 1% 0603	H 1
R219	A11368-10031	100.KOHM .1W 1% CHIP 0805	I 2
R220	A11368-37401	374 OHM .1W 1% CHIP 0805	C 1
R221	A11368-14721	14.7 KOHM .1W 1% 0805	E 3
R222		OPEN	G 9
R223	A11368-20021	20.KOHM .1W 1% CHIP 0805	C 3
R224	A11371-15R3	RES, 15 OHM .25W 5% 1210 T/R	A 9
R225	A11368-47001	470 OHM, 0.10W 1% MF 0805	K 2
R226	A11368-20021	20.KOHM .1W 1% CHIP 0805	K 3
R227	A11368-10020	RES, 10.0 KOHM 1/16W 1% 0603	L 3
R228	A11368-37401	374 OHM .1W 1% CHIP 0805	E 1
R229	A11368-37411	3.74K OHM 1% 0.1W 0805 T/R	K 2
R230		OPEN	I 2
R231	A11368-10020	RES, 10.0 KOHM 1/16W 1% 0603	M 2
R232	A11368-18211	1.82KOHM .1W 1% 0805 T/R	M 2
R233	A11368-10020	RES, 10.0 KOHM 1/16W 1% 0603	L 2
R234	A11368-10020	RES, 10.0 KOHM 1/16W 1% 0603	L 3
R235	A11368-18211	1.82KOHM .1W 1% 0805 T/R	L 3
R236	A11368-10020	RES, 10.0 KOHM 1/16W 1% 0603	L 3
R237		OPEN	I 2
R238		OPEN	I 2
R239		OPEN	I 2
R240	A11368-47001	470 OHM, 0.10W 1% MF 0805	J 2
R241		OPEN	J 2
R242	A11368-10011	1.KOHM .1W 1% CHIP 0805	I 3
R243	A11368-10023	10.0KOHM .25W 1% 1210 T/R	J 3
R244	A11368-10023	10.0KOHM .25W 1% 1210 T/R	J 3
R245	A11368-51R10	RES, 51.1 OHM 1/16W 1% 0603	J 3
R246	A11368-51R10	RES, 51.1 OHM 1/16W 1% 0603	J 3
R247	A11368-51R10	RES, 51.1 OHM 1/16W 1% 0603	K 3
R248	A11368-10000	RES, 100 OHM 1/16W 1% 0603	K 3
R249	A11368-14311	1.43 KOHM 0.1W 1% 0805 SMT	I 2
R250	A11368-51R10	RES, 51.1 OHM 1/16W 1% 0603	K 3
R251	A11368-51111	5.11KOHM .1W 1% 0805 T/R	J 3
R252	133871-1	TRIMPOT, 500 OHM TOP ADJ T/R	J 3
R253		OPEN	K 10
R254		OPEN	J 9
R255	A11368-34001	RES, 340 OHM 1% 0.1W SMT 0805	J 6
R256	A11368-34001	RES, 340 OHM 1% 0.1W SMT 0805	J 3
R257	A11368-22R11	22.1 OHM 0.1W 1% 0805 T/R	J 5
R258	A11368-10003	100 OHM 0.25W 1% 1210 T/R	J 5
R259	A11368-51R10	RES, 51.1 OHM 1/16W 1% 0603	G 6
R260	A11368-51R10	RES, 51.1 OHM 1/16W 1% 0603	G 5
R261		OPEN	H 6
R262		OPEN	H 5
R263	A11368-30101	301 OHM .1W 1% 0805 T/R	I 6
R264	A11368-30101	301 OHM .1W 1% 0805 T/R	I 5
R265	A11368-30101	301 OHM .1W 1% 0805 T/R	K 6
R266	A11368-30101	301 OHM .1W 1% 0805 T/R	L 5
R267	A11368-30101	301 OHM .1W 1% 0805 T/R	K 5
R268	A11368-30101	301 OHM .1W 1% 0805 T/R	L 5
R269	A11371-0R01	RES, 0 OHM 0805 50 MILOHM MAX	D 8
R270	A11371-0R01	RES, 0 OHM 0805 50 MILOHM MAX	A 8
R271	A11371-0R01	RES, 0 OHM 0805 50 MILOHM MAX	L 8
R272	A11371-0R01	RES, 0 OHM 0805 50 MILOHM MAX	J 8
R273	A11371-0R01	RES, 0 OHM 0805 50 MILOHM MAX	D 3

139087-14 REV. A		PWA, XT11000	600029
R274	A11371-0R01	RES, 0 OHM 0805 50 MILOHM MAX	J 2
R275		OPEN	C 1
R276	A11368-14311	1.43 KOHM 0.1W 1% 0805 SMT	J 2
R277	A11368-10010	RES, 1.0 KOHM 1/16W 1% 0603	L 3
R278	A11368-10010	RES, 1.0 KOHM 1/16W 1% 0603	L 3
R279	A11368-64900	649 OHM 1/16W 1% 0603 T/R	L 3
R280	A11368-20031	200K 0.1W 1% SMD CHIP 0805	L 3
R281	A11368-20031	200K 0.1W 1% SMD CHIP 0805	M 3
R282	A11368-49900	RES, 499 OHM 1/16W 1% 0603	M 3
R283	A11368-18211	1.82KOHM .1W 1% 0805 T/R	M 3
R284	A11368-10020	RES, 10.0 KOHM 1/16W 1% 0603	M 2
R285	A11368-12111	RES, 1.21K 1% 0.1W SMT 0805	J 3
R286	A11368-18211	1.82KOHM .1W 1% 0805 T/R	J 3
R287	A11368-10010	RES, 1.0 KOHM 1/16W 1% 0603	L 3
R288		OPEN	H 1
R289	A11368-10010	RES, 1.0 KOHM 1/16W 1% 0603	L 2
R290	A11368-22R11	22.1 OHM 0.1W 1% 0805 T/R	J 3
R291	A11368-28003	280 OHM .25W 1% 1210 T/R	L 8
R292	A11368-28003	280 OHM .25W 1% 1210 T/R	K 8
R293	A11368-10023	10.0KOHM .25W 1% 1210 T/R	L 8
R294	A11368-10011	1.KOHM .1W 1% CHIP 0805	L 8
R295	A11368-18211	1.82KOHM .1W 1% 0805 T/R	M 8
R296	A11368-14721	14.7 KOHM .1W 1% 0805	L 8
R297	A11368-10011	1.KOHM .1W 1% CHIP 0805	L 3
R298	A11368-18211	1.82KOHM .1W 1% 0805 T/R	J 8
R299	A11368-10023	10.0KOHM .25W 1% 1210 T/R	L 3
R300	A11368-20001	200. OHM .1W 1% CHIP 0805	G 6
R301	A11368-20001	200. OHM .1W 1% CHIP 0805	G 5
R302	A11371-8205	82 OHM 1W 5% SMD 2512	L 8
R303	A11371-15R3	RES, 15 OHM .25W 5% 1210 T/R	K 9
R304	A11368-37401	374 OHM .1W 1% CHIP 0805	C 1
R305		OPEN	G 3
R307	139428-1	RES, 1.3K OHM 1% 1W RAD T/R	L 9
R308	A11368-10R03	10 OHM 0.25W 1% 1210 T/R	M 9
R309	A11368-28711	2.87K .1W 1% 0805 T/R	L 8
R311	139428-1	RES, 1.3K OHM 1% 1W RAD T/R	K 8
R312	A11368-10R03	10 OHM 0.25W 1% 1210 T/R	J 9
R313	A11368-28711	2.87K .1W 1% 0805 T/R	K 8
R314	A11371-1052	1. MOHM .125W 5% CHIP RES T/R	G 3
R315	A11368-10041	1M OHM .1W 1% CHIP 0805	H 3
R316		OPEN	J 9
R317		OPEN	L 11
R318	A11368-37401	374 OHM .1W 1% CHIP 0805	E 1
R319		OPEN	B 6
R320	A11368-14721	14.7 KOHM .1W 1% 0805	L 3
R321		OPEN	G 9
R322	A11368-20021	20.KOHM .1W 1% CHIP 0805	I 3
R323	A11371-15R3	RES, 15 OHM .25W 5% 1210 T/R	A 9
R324	A11368-64911	6.49KOHM .1W 1% 0805 T/R	H 3
R325	A11368-64911	6.49KOHM .1W 1% 0805 T/R	I 3
R326	A11368-12103	121OHM 0.25W 1% 1210 T/R	Q 2
R327		OPEN	B 6
R328		OPEN	B 6
R329	A11368-10010	RES, 1.0 KOHM 1/16W 1% 0603	Q 2
R330	A11368-12103	121OHM 0.25W 1% 1210 T/R	Q 1
R331	A11368-10020	RES, 10.0 KOHM 1/16W 1% 0603	Q 2
R332	A11368-35720	RES, 35.7K OHM 1% 1/16W 0603	Q 3
R333	A11368-10010	RES, 1.0 KOHM 1/16W 1% 0603	Q 1
R334	A11368-47510	RES, 4.75 KOHM 1/16W 1% 0603	M 3

139087-14 REV. A		PWA, XTi1000	600029
R335	A11368-35700	RES, 357 OHM 1/16W 1% 0603	M 3
R336	A11368-10R00	RES, 10 OHM 1/16W 1% 0603	M 3
R337	A11368-10030	RES, 100.0 KOHM 1/16W 1% 0603	N 7
R338	A11368-10030	RES, 100.0 KOHM 1/16W 1% 0603	K 1
R339	A11368-10030	RES, 100.0 KOHM 1/16W 1% 0603	K 1
R340	A11368-22120	RES, 22.1 KOHM 1% 1/16W 0603	K 1
R341	A11368-22120	RES, 22.1 KOHM 1% 1/16W 0603	K 1
R342	A11368-10000	RES, 100 OHM 1/16W 1% 0603	K 2
R343	A11368-10020	RES, 10.0 KOHM 1/16W 1% 0603	H 1
R344	A11368-10020	RES, 10.0 KOHM 1/16W 1% 0603	H 1
R345	A11368-49923	49.9KOHM .25W 1% CHIP 1210	Q 8
R346	A11368-49923	49.9KOHM .25W 1% CHIP 1210	P 8
R347	A11368-51R10	RES, 51.1 OHM 1/16W 1% 0603	N 1
R348	A11368-10R01	10 OHM .1W 1% 0805 T/R	N 1
R349	A11368-51R10	RES, 51.1 OHM 1/16W 1% 0603	N 2
R350	A11368-10R01	10 OHM .1W 1% 0805 T/R	N 2
R351	A11371-8205	82 OHM 1W 5% SMD 2512	C 8
R352	A11371-8205	82 OHM 1W 5% SMD 2512	L 8
R353	A11368-10020	RES, 10.0 KOHM 1/16W 1% 0603	H 2
R354		OPEN	G 8
R355	A11371-5R65	5.6 OHM 1W 5% 2512 T/R	A 11
R356		OPEN	G 10
R357		OPEN	K 10
R358		OPEN	J 9
R359		OPEN	G 8
R360		OPEN	G 8
R361		OPEN	C 9
R362		OPEN	G 9
R363	A11368-10020	RES, 10.0 KOHM 1/16W 1% 0603	Q 2
R364		OPEN	B 7
R365		OPEN	B 7
R366		OPEN	B 7
R367	A11368-36511	3.65KOHM .1W 1% 0805 T/R	N 1
R368	A11368-10010	RES, 1.0 KOHM 1/16W 1% 0603	N 1
R369	A11368-10010	RES, 1.0 KOHM 1/16W 1% 0603	N 1
R370	133483-1	48.7 KOHM 1W 1% RAD T/A	O 1
R371	133483-1	48.7 KOHM 1W 1% RAD T/A	O 2
R372	133483-1	48.7 KOHM 1W 1% RAD T/A	O 2
R373	133483-1	48.7 KOHM 1W 1% RAD T/A	O 1
R374	133483-1	48.7 KOHM 1W 1% RAD T/A	O 2
R375	A11368-10010	RES, 1.0 KOHM 1/16W 1% 0603	O 1
R376	133483-1	48.7 KOHM 1W 1% RAD T/A	P 3
R377	A11368-20030	RES, 200 KOHM 1/16W 1% 0603	P 1
R378	133483-1	48.7 KOHM 1W 1% RAD T/A	O 1
R379	A11368-20030	RES, 200 KOHM 1/16W 1% 0603	P 1
R380	A11368-68120	RES, 68.1 KOHM 1/16W 1% 0603	O 1
R381	A11368-15031	150K 1/10W 1% SMD 0805 T/R	O 1
R382		OPEN	J 9
R383		OPEN	J 9
R384	A11368-10003	100 OHM 0.25W 1% 1210 T/R	N 6
R385	A11368-10003	100 OHM 0.25W 1% 1210 T/R	N 6
R386	A11368-10003	100 OHM 0.25W 1% 1210 T/R	N 6
R387	A11368-10003	100 OHM 0.25W 1% 1210 T/R	N 6
R388		OPEN	K 10
R389	A11368-10030	RES, 100.0 KOHM 1/16W 1% 0603	K 2
R390	A11368-42200	RES, 422 OHM 1/16W 1% 0603	I 11
R391		OPEN	C 9
R392		OPEN	C 10
R393	A11368-10R00	RES, 10 OHM 1/16W 1% 0603	G 11

139087-14 REV. A		PWA, XTI1000	600029
R394	A11368-10R00	RES, 10 OHM 1/16W 1% 0603	G 11
R395	A11368-10R00	RES, 10 OHM 1/16W 1% 0603	H 11
R396	A11368-10R00	RES, 10 OHM 1/16W 1% 0603	H 11
R397		OPEN	C 10
R398	A11368-10R00	RES, 10 OHM 1/16W 1% 0603	O 1
R399	A11368-10020	RES, 10.0 KOHM 1/16W 1% 0603	H 2
R400	A11368-10020	RES, 10.0 KOHM 1/16W 1% 0603	H 2
R401	A11368-10R00	RES, 10 OHM 1/16W 1% 0603	O 1
R402	A11368-10R00	RES, 10 OHM 1/16W 1% 0603	O 1
R403		OPEN	B 10
R404		OPEN	C 10
R405		OPEN	C 10
R406	A11371-2250	RES, 2.2 MOHM 1/16W 5% 0603	P 1
R407	A11371-2250	RES, 2.2 MOHM 1/16W 5% 0603	P 1
R408		OPEN	C 10
R409		OPEN	C 9
R410		OPEN	C 8
R411		OPEN	G 8
R412	A11371-0R01	RES, 0 OHM 0805 50 MILOHM MAX	D 8
R413		OPEN	G 10
R414		OPEN	C 10
R415		OPEN	D 9
R416		OPEN	D 9
R417		OPEN	D 9
R418		OPEN	D 9
R419		OPEN	L 10
R420		OPEN	L 10
R421		OPEN	C 10
R422		OPEN	L 10
R423	A11368-10020	RES, 10.0 KOHM 1/16W 1% 0603	H 2
R424		OPEN	H 1
R425	133483-1	48.7 KOHM 1W 1% RAD T/A	O 5
R426	A11368-10R00	RES, 10 OHM 1/16W 1% 0603	G 11
R427	A11368-10R00	RES, 10 OHM 1/16W 1% 0603	F 11
R428		OPEN	B 7
R429		OPEN	B 8
R430		OPEN	B 8
R431		OPEN	B 7
R432		OPEN	B 7
R433		OPEN	B 7
R434		OPEN	B 7
R435		OPEN	B 6
R436		OPEN	B 6
R437		OPEN	B 6
R438	A11368-7R503	RES, 7.5 OHM 1% 0.25W 1210 T/R	C 6
R439	A11368-7R503	RES, 7.5 OHM 1% 0.25W 1210 T/R	C 6
R440	A11368-7R503	RES, 7.5 OHM 1% 0.25W 1210 T/R	C 6
R441	A11368-7R503	RES, 7.5 OHM 1% 0.25W 1210 T/R	C 7
R442	A11368-7R503	RES, 7.5 OHM 1% 0.25W 1210 T/R	C 7
R443	A11368-7R503	RES, 7.5 OHM 1% 0.25W 1210 T/R	C 7
R444	A11368-7R503	RES, 7.5 OHM 1% 0.25W 1210 T/R	C 7
R445	A11368-7R503	RES, 7.5 OHM 1% 0.25W 1210 T/R	C 8
R446	A11368-7R503	RES, 7.5 OHM 1% 0.25W 1210 T/R	C 8
R447	A11368-7R503	RES, 7.5 OHM 1% 0.25W 1210 T/R	C 7
R448	A11368-7R503	RES, 7.5 OHM 1% 0.25W 1210 T/R	C 7
R449	A11368-7R503	RES, 7.5 OHM 1% 0.25W 1210 T/R	C 7
R450	A11368-7R503	RES, 7.5 OHM 1% 0.25W 1210 T/R	B 7
R451	A11368-7R503	RES, 7.5 OHM 1% 0.25W 1210 T/R	B 6
R452	A11368-7R503	RES, 7.5 OHM 1% 0.25W 1210 T/R	B 6

139087-14 REV. A		PWA, XTI1000	600029
R453	A11368-7R503	RES, 7.5 OHM 1% 0.25W 1210 T/R	B 6
R454	A11368-7R503	RES, 7.5 OHM 1% 0.25W 1210 T/R	E 6
R455	A11368-7R503	RES, 7.5 OHM 1% 0.25W 1210 T/R	E 6
R456	A11368-7R503	RES, 7.5 OHM 1% 0.25W 1210 T/R	E 6
R457	A11368-7R503	RES, 7.5 OHM 1% 0.25W 1210 T/R	E 7
R458	A11368-7R503	RES, 7.5 OHM 1% 0.25W 1210 T/R	E 7
R459	A11368-7R503	RES, 7.5 OHM 1% 0.25W 1210 T/R	E 7
R460	A11368-7R503	RES, 7.5 OHM 1% 0.25W 1210 T/R	E 7
R461	A11368-7R503	RES, 7.5 OHM 1% 0.25W 1210 T/R	E 8
R462	A11368-7R503	RES, 7.5 OHM 1% 0.25W 1210 T/R	E 8
R463	A11368-7R503	RES, 7.5 OHM 1% 0.25W 1210 T/R	E 7
R464	A11368-7R503	RES, 7.5 OHM 1% 0.25W 1210 T/R	E 7
R465	A11368-7R503	RES, 7.5 OHM 1% 0.25W 1210 T/R	E 7
R466	A11368-7R503	RES, 7.5 OHM 1% 0.25W 1210 T/R	E 7
R467	A11368-7R503	RES, 7.5 OHM 1% 0.25W 1210 T/R	E 6
R468	A11368-7R503	RES, 7.5 OHM 1% 0.25W 1210 T/R	E 6
R469	A11368-7R503	RES, 7.5 OHM 1% 0.25W 1210 T/R	E 6
R470	A11368-7R503	RES, 7.5 OHM 1% 0.25W 1210 T/R	F 6
R471	A11368-7R503	RES, 7.5 OHM 1% 0.25W 1210 T/R	F 6
R472	A11368-7R503	RES, 7.5 OHM 1% 0.25W 1210 T/R	F 6
R473	A11368-7R503	RES, 7.5 OHM 1% 0.25W 1210 T/R	F 6
R474	A11368-7R503	RES, 7.5 OHM 1% 0.25W 1210 T/R	F 7
R475	A11368-7R503	RES, 7.5 OHM 1% 0.25W 1210 T/R	F 7
R476	A11368-7R503	RES, 7.5 OHM 1% 0.25W 1210 T/R	F 7
R477	A11368-7R503	RES, 7.5 OHM 1% 0.25W 1210 T/R	F 7
R478	A11368-7R503	RES, 7.5 OHM 1% 0.25W 1210 T/R	F 7
R479	A11368-7R503	RES, 7.5 OHM 1% 0.25W 1210 T/R	F 7
R480	A11368-7R503	RES, 7.5 OHM 1% 0.25W 1210 T/R	F 7
R481	A11368-7R503	RES, 7.5 OHM 1% 0.25W 1210 T/R	F 7
R482	A11368-7R503	RES, 7.5 OHM 1% 0.25W 1210 T/R	F 6
R483	A11368-7R503	RES, 7.5 OHM 1% 0.25W 1210 T/R	F 6
R484	A11368-7R503	RES, 7.5 OHM 1% 0.25W 1210 T/R	F 6
R485	A11368-7R503	RES, 7.5 OHM 1% 0.25W 1210 T/R	F 6
R486		OPEN	B 4
R487		OPEN	B 4
R488		OPEN	B 4
R489		OPEN	B 4
R490		OPEN	B 5
R491		OPEN	B 5
R492		OPEN	B 5
R493		OPEN	B 5
R494		OPEN	B 5
R495		OPEN	B 5
R496		OPEN	B 5
R497		OPEN	B 5
R498		OPEN	B 4
R499		OPEN	B 4
R500		OPEN	B 4
R501		OPEN	B 4
R502	A11368-7R503	RES, 7.5 OHM 1% 0.25W 1210 T/R	C 4
R503	A11368-7R503	RES, 7.5 OHM 1% 0.25W 1210 T/R	C 4
R504	A11368-7R503	RES, 7.5 OHM 1% 0.25W 1210 T/R	C 4
R505	A11368-7R503	RES, 7.5 OHM 1% 0.25W 1210 T/R	C 4
R506	A11368-7R503	RES, 7.5 OHM 1% 0.25W 1210 T/R	C 5
R507	A11368-7R503	RES, 7.5 OHM 1% 0.25W 1210 T/R	C 5
R508	A11368-7R503	RES, 7.5 OHM 1% 0.25W 1210 T/R	C 5
R509	A11368-7R503	RES, 7.5 OHM 1% 0.25W 1210 T/R	C 5
R510	A11368-7R503	RES, 7.5 OHM 1% 0.25W 1210 T/R	C 5
R511	A11368-7R503	RES, 7.5 OHM 1% 0.25W 1210 T/R	B 5

139087-14 REV. A		PWA, XTI1000	600029
R512	A11368-7R503	RES, 7.5 OHM 1% 0.25W 1210 T/R	B 5
R513	A11368-7R503	RES, 7.5 OHM 1% 0.25W 1210 T/R	B 5
R514	A11368-7R503	RES, 7.5 OHM 1% 0.25W 1210 T/R	B 4
R515	A11368-7R503	RES, 7.5 OHM 1% 0.25W 1210 T/R	B 4
R516	A11368-7R503	RES, 7.5 OHM 1% 0.25W 1210 T/R	B 4
R517	A11368-7R503	RES, 7.5 OHM 1% 0.25W 1210 T/R	B 4
R518	A11368-7R503	RES, 7.5 OHM 1% 0.25W 1210 T/R	E 4
R519	A11368-7R503	RES, 7.5 OHM 1% 0.25W 1210 T/R	E 4
R520	A11368-7R503	RES, 7.5 OHM 1% 0.25W 1210 T/R	E 4
R521	A11368-7R503	RES, 7.5 OHM 1% 0.25W 1210 T/R	E 4
R522	A11368-7R503	RES, 7.5 OHM 1% 0.25W 1210 T/R	E 5
R523	A11368-7R503	RES, 7.5 OHM 1% 0.25W 1210 T/R	E 5
R524	A11368-7R503	RES, 7.5 OHM 1% 0.25W 1210 T/R	E 5
R525	A11368-7R503	RES, 7.5 OHM 1% 0.25W 1210 T/R	E 5
R526	A11368-7R503	RES, 7.5 OHM 1% 0.25W 1210 T/R	E 5
R527	A11368-7R503	RES, 7.5 OHM 1% 0.25W 1210 T/R	E 5
R528	A11368-7R503	RES, 7.5 OHM 1% 0.25W 1210 T/R	E 5
R529	A11368-7R503	RES, 7.5 OHM 1% 0.25W 1210 T/R	E 5
R530	A11368-7R503	RES, 7.5 OHM 1% 0.25W 1210 T/R	E 4
R531	A11368-7R503	RES, 7.5 OHM 1% 0.25W 1210 T/R	E 4
R532	A11368-7R503	RES, 7.5 OHM 1% 0.25W 1210 T/R	E 4
R533	A11368-7R503	RES, 7.5 OHM 1% 0.25W 1210 T/R	E 4
R534	A11368-7R503	RES, 7.5 OHM 1% 0.25W 1210 T/R	F 4
R535	A11368-7R503	RES, 7.5 OHM 1% 0.25W 1210 T/R	F 4
R536	A11368-7R503	RES, 7.5 OHM 1% 0.25W 1210 T/R	F 4
R537	A11368-7R503	RES, 7.5 OHM 1% 0.25W 1210 T/R	F 4
R538	A11368-7R503	RES, 7.5 OHM 1% 0.25W 1210 T/R	F 5
R539	A11368-7R503	RES, 7.5 OHM 1% 0.25W 1210 T/R	F 5
R540	A11368-7R503	RES, 7.5 OHM 1% 0.25W 1210 T/R	F 5
R541	A11368-7R503	RES, 7.5 OHM 1% 0.25W 1210 T/R	F 5
R542	A11368-7R503	RES, 7.5 OHM 1% 0.25W 1210 T/R	F 5
R543	A11368-7R503	RES, 7.5 OHM 1% 0.25W 1210 T/R	F 5
R544	A11368-7R503	RES, 7.5 OHM 1% 0.25W 1210 T/R	F 5
R545	A11368-7R503	RES, 7.5 OHM 1% 0.25W 1210 T/R	F 5
R546	A11368-7R503	RES, 7.5 OHM 1% 0.25W 1210 T/R	F 4
R547	A11368-7R503	RES, 7.5 OHM 1% 0.25W 1210 T/R	F 4
R548	A11368-7R503	RES, 7.5 OHM 1% 0.25W 1210 T/R	F 4
R549	A11368-7R503	RES, 7.5 OHM 1% 0.25W 1210 T/R	F 4
R550		OPEN	H 6
R551		OPEN	H 6
R552		OPEN	H 6
R553		OPEN	H 7
R554		OPEN	H 7
R555		OPEN	H 7
R556		OPEN	H 7
R557		OPEN	H 8
R558		OPEN	H 7
R559		OPEN	H 7
R560		OPEN	H 7
R561		OPEN	H 7
R562		OPEN	H 7
R563		OPEN	H 6
R564		OPEN	H 6
R565		OPEN	H 6
R566	A11368-7R503	RES, 7.5 OHM 1% 0.25W 1210 T/R	I 6
R567	A11368-7R503	RES, 7.5 OHM 1% 0.25W 1210 T/R	I 6
R568	A11368-7R503	RES, 7.5 OHM 1% 0.25W 1210 T/R	I 6
R569	A11368-7R503	RES, 7.5 OHM 1% 0.25W 1210 T/R	I 7
R570	A11368-7R503	RES, 7.5 OHM 1% 0.25W 1210 T/R	I 7

139087-14 REV. A	PWA, XTI1000	600029
R571	A11368-7R503 RES, 7.5 OHM 1% 0.25W 1210 T/R	I 7
R572	A11368-7R503 RES, 7.5 OHM 1% 0.25W 1210 T/R	I 7
R573	A11368-7R503 RES, 7.5 OHM 1% 0.25W 1210 T/R	I 8
R574	A11368-7R503 RES, 7.5 OHM 1% 0.25W 1210 T/R	I 8
R575	A11368-7R503 RES, 7.5 OHM 1% 0.25W 1210 T/R	I 7
R576	A11368-7R503 RES, 7.5 OHM 1% 0.25W 1210 T/R	I 7
R577	A11368-7R503 RES, 7.5 OHM 1% 0.25W 1210 T/R	I 7
R578	A11368-7R503 RES, 7.5 OHM 1% 0.25W 1210 T/R	I 7
R579	A11368-7R503 RES, 7.5 OHM 1% 0.25W 1210 T/R	I 6
R580	A11368-7R503 RES, 7.5 OHM 1% 0.25W 1210 T/R	I 6
R581	A11368-7R503 RES, 7.5 OHM 1% 0.25W 1210 T/R	I 6
R582	A11368-7R503 RES, 7.5 OHM 1% 0.25W 1210 T/R	K 6
R583	A11368-7R503 RES, 7.5 OHM 1% 0.25W 1210 T/R	K 6
R584	A11368-7R503 RES, 7.5 OHM 1% 0.25W 1210 T/R	K 6
R585	A11368-7R503 RES, 7.5 OHM 1% 0.25W 1210 T/R	K 7
R586	A11368-7R503 RES, 7.5 OHM 1% 0.25W 1210 T/R	K 7
R587	A11368-7R503 RES, 7.5 OHM 1% 0.25W 1210 T/R	K 7
R588	A11368-7R503 RES, 7.5 OHM 1% 0.25W 1210 T/R	K 7
R589	A11368-7R503 RES, 7.5 OHM 1% 0.25W 1210 T/R	K 8
R590	A11368-7R503 RES, 7.5 OHM 1% 0.25W 1210 T/R	K 8
R591	A11368-7R503 RES, 7.5 OHM 1% 0.25W 1210 T/R	K 7
R592	A11368-7R503 RES, 7.5 OHM 1% 0.25W 1210 T/R	K 7
R593	A11368-7R503 RES, 7.5 OHM 1% 0.25W 1210 T/R	K 7
R594	A11368-7R503 RES, 7.5 OHM 1% 0.25W 1210 T/R	K 7
R595	A11368-7R503 RES, 7.5 OHM 1% 0.25W 1210 T/R	K 6
R596	A11368-7R503 RES, 7.5 OHM 1% 0.25W 1210 T/R	K 6
R597	A11368-7R503 RES, 7.5 OHM 1% 0.25W 1210 T/R	K 6
R598	A11368-7R503 RES, 7.5 OHM 1% 0.25W 1210 T/R	M 6
R599	A11368-7R503 RES, 7.5 OHM 1% 0.25W 1210 T/R	M 6
R600	A11368-7R503 RES, 7.5 OHM 1% 0.25W 1210 T/R	M 6
R601	A11368-7R503 RES, 7.5 OHM 1% 0.25W 1210 T/R	M 6
R602	A11368-7R503 RES, 7.5 OHM 1% 0.25W 1210 T/R	M 7
R603	A11368-7R503 RES, 7.5 OHM 1% 0.25W 1210 T/R	M 7
R604	A11368-7R503 RES, 7.5 OHM 1% 0.25W 1210 T/R	M 7
R605	A11368-7R503 RES, 7.5 OHM 1% 0.25W 1210 T/R	M 7
R606	A11368-7R503 RES, 7.5 OHM 1% 0.25W 1210 T/R	L 7
R607	A11368-7R503 RES, 7.5 OHM 1% 0.25W 1210 T/R	L 7
R608	A11368-7R503 RES, 7.5 OHM 1% 0.25W 1210 T/R	L 7
R609	A11368-7R503 RES, 7.5 OHM 1% 0.25W 1210 T/R	L 6
R610	A11368-7R503 RES, 7.5 OHM 1% 0.25W 1210 T/R	M 7
R611	A11368-7R503 RES, 7.5 OHM 1% 0.25W 1210 T/R	L 6
R612	A11368-7R503 RES, 7.5 OHM 1% 0.25W 1210 T/R	L 6
R613	A11368-7R503 RES, 7.5 OHM 1% 0.25W 1210 T/R	L 6
R614	OPEN	H 4
R615	OPEN	H 4
R616	OPEN	H 4
R617	OPEN	H 4
R618	OPEN	H 5
R619	OPEN	H 5
R620	OPEN	H 5
R621	OPEN	H 5
R622	OPEN	H 5
R623	OPEN	H 5
R624	OPEN	H 5
R625	OPEN	H 5
R626	OPEN	H 4
R627	OPEN	H 4
R628	OPEN	H 4
R629	OPEN	H 4

139087-14 REV. A		PWA, XTI1000	600029
R630	A11368-7R503	RES, 7.5 OHM 1% 0.25W 1210 T/R	I 4
R631	A11368-7R503	RES, 7.5 OHM 1% 0.25W 1210 T/R	I 4
R632	A11368-7R503	RES, 7.5 OHM 1% 0.25W 1210 T/R	I 4
R633	A11368-7R503	RES, 7.5 OHM 1% 0.25W 1210 T/R	I 4
R634	A11368-7R503	RES, 7.5 OHM 1% 0.25W 1210 T/R	I 5
R635	A11368-7R503	RES, 7.5 OHM 1% 0.25W 1210 T/R	I 5
R636	A11368-7R503	RES, 7.5 OHM 1% 0.25W 1210 T/R	I 5
R637	A11368-7R503	RES, 7.5 OHM 1% 0.25W 1210 T/R	I 5
R638	A11368-7R503	RES, 7.5 OHM 1% 0.25W 1210 T/R	I 5
R639	A11368-7R503	RES, 7.5 OHM 1% 0.25W 1210 T/R	I 5
R640	A11368-7R503	RES, 7.5 OHM 1% 0.25W 1210 T/R	I 5
R641	A11368-7R503	RES, 7.5 OHM 1% 0.25W 1210 T/R	I 5
R642	A11368-7R503	RES, 7.5 OHM 1% 0.25W 1210 T/R	I 4
R643	A11368-7R503	RES, 7.5 OHM 1% 0.25W 1210 T/R	I 4
R644	A11368-7R503	RES, 7.5 OHM 1% 0.25W 1210 T/R	I 4
R645	A11368-7R503	RES, 7.5 OHM 1% 0.25W 1210 T/R	I 4
R646	A11368-7R503	RES, 7.5 OHM 1% 0.25W 1210 T/R	K 5
R647	A11368-7R503	RES, 7.5 OHM 1% 0.25W 1210 T/R	K 5
R648	A11368-7R503	RES, 7.5 OHM 1% 0.25W 1210 T/R	K 5
R649	A11368-7R503	RES, 7.5 OHM 1% 0.25W 1210 T/R	K 5
R650	A11368-7R503	RES, 7.5 OHM 1% 0.25W 1210 T/R	K 4
R651	A11368-7R503	RES, 7.5 OHM 1% 0.25W 1210 T/R	K 4
R652	A11368-7R503	RES, 7.5 OHM 1% 0.25W 1210 T/R	K 4
R653	A11368-7R503	RES, 7.5 OHM 1% 0.25W 1210 T/R	K 4
R654	A11368-7R503	RES, 7.5 OHM 1% 0.25W 1210 T/R	K 4
R655	A11368-7R503	RES, 7.5 OHM 1% 0.25W 1210 T/R	K 4
R656	A11368-7R503	RES, 7.5 OHM 1% 0.25W 1210 T/R	K 4
R657	A11368-7R503	RES, 7.5 OHM 1% 0.25W 1210 T/R	K 4
R658	A11368-7R503	RES, 7.5 OHM 1% 0.25W 1210 T/R	K 5
R659	A11368-7R503	RES, 7.5 OHM 1% 0.25W 1210 T/R	K 5
R660	A11368-7R503	RES, 7.5 OHM 1% 0.25W 1210 T/R	K 5
R661	A11368-7R503	RES, 7.5 OHM 1% 0.25W 1210 T/R	K 5
R662	A11368-7R503	RES, 7.5 OHM 1% 0.25W 1210 T/R	M 5
R663	A11368-7R503	RES, 7.5 OHM 1% 0.25W 1210 T/R	M 5
R664	A11368-7R503	RES, 7.5 OHM 1% 0.25W 1210 T/R	M 5
R665	A11368-7R503	RES, 7.5 OHM 1% 0.25W 1210 T/R	M 5
R666	A11368-7R503	RES, 7.5 OHM 1% 0.25W 1210 T/R	M 4
R667	A11368-7R503	RES, 7.5 OHM 1% 0.25W 1210 T/R	M 4
R668	A11368-7R503	RES, 7.5 OHM 1% 0.25W 1210 T/R	M 4
R669	A11368-7R503	RES, 7.5 OHM 1% 0.25W 1210 T/R	M 4
R670	A11368-7R503	RES, 7.5 OHM 1% 0.25W 1210 T/R	L 4
R671	A11368-7R503	RES, 7.5 OHM 1% 0.25W 1210 T/R	L 4
R672	A11368-7R503	RES, 7.5 OHM 1% 0.25W 1210 T/R	L 4
R673	A11368-7R503	RES, 7.5 OHM 1% 0.25W 1210 T/R	L 4
R674	A11368-7R503	RES, 7.5 OHM 1% 0.25W 1210 T/R	L 5
R675	A11368-7R503	RES, 7.5 OHM 1% 0.25W 1210 T/R	L 5
R676	A11368-7R503	RES, 7.5 OHM 1% 0.25W 1210 T/R	L 5
R677	A11368-7R503	RES, 7.5 OHM 1% 0.25W 1210 T/R	L 5
R678	A11368-10043	1.MOHM .25W 1% CHIP 1210	P 1
R679	A11368-10043	1.MOHM .25W 1% CHIP 1210	P 1
R680	A11368-10041	1M OHM .1W 1% CHIP 0805	P 1
R681	A11368-10003	100 OHM 0.25W 1% 1210 T/R	Q 5
R684		OPEN	C 9
R685	A11368-15000	RES, 150 OHM 1% 1/16W 0603	N 1
R686	A11368-47520	RES, 47.5 K OHM 1/16W 1% 0603	H 3
R687	A11368-13331	133.KOHM .1W 1% CHIP 0805	G 3
R688	A11368-13331	133.KOHM .1W 1% CHIP 0805	I 3
R689	A11368-51111	5.11KOHM .1W 1% 0805 T/R	I 3
R690	A11368-30120	RES, 30.1 KOHM 1/16W 1% 0603	I 3

139087-14 REV. A		PWA, XTI1000	600029
R691	A11368-30120	RES, 30.1 KOHM 1/16W 1% 0603	H 3
R692	A11368-19120	RES, 19.1 K OHM 1/16W 1% 0603	I 3
R693	A11368-20520	RES, 20.5 KOHM 1/16W 1% 0603	I 3
R694	A11368-47520	RES, 47.5 K OHM 1/16W 1% 0603	H 3
R695	A11368-13331	133.KOHM .1W 1% CHIP 0805	I 3
R696	A11368-13331	133.KOHM .1W 1% CHIP 0805	G 2
R697	A11368-51111	5.11KOHM .1W 1% 0805 T/R	I 3
R698		OPEN	B 10
R699		OPEN	B 10
R700		OPEN	G 8
R701		OPEN	B 10
R702		OPEN	K 10
R703		OPEN	K 10
R704		OPEN	B 10
R705		OPEN	J 9
R706		OPEN	J 9
R707		OPEN	C 9
R708		OPEN	C 9
R709		OPEN	L 10
R710		OPEN	C 10
R711		OPEN	C 9
R712		OPEN	D 9
R713		OPEN	K 9
R714		OPEN	C 10
R715		OPEN	L 10
R716		OPEN	D 9
R717		OPEN	K 9
R718		OPEN	K 9
R719		OPEN	G 9
R720		OPEN	K 9
R721		OPEN	K 9
R722		OPEN	L 10
R723		OPEN	K 9
R724		OPEN	L 10
R726		OPEN	K 9
R728		OPEN	L 10
R729		OPEN	G 10
R730		OPEN	K 9
R731		OPEN	G 9
R732		OPEN	G 10
R733		OPEN	K 11
R734		OPEN	B 10
R735		OPEN	C 9
R736		OPEN	K 10
R737		OPEN	J 9
R738	A11368-10030	RES, 100.0 KOHM 1/16W 1% 0603	H 3
R739	A11368-10030	RES, 100.0 KOHM 1/16W 1% 0603	H 3
R740	A11368-10030	RES, 100.0 KOHM 1/16W 1% 0603	H 3
R741	A11368-10030	RES, 100.0 KOHM 1/16W 1% 0603	H 3
R742		OPEN	B 10
R743		OPEN	C 9
R744		OPEN	A 6
R745		OPEN	B 5
R746		OPEN	H 6
R747		OPEN	I 5
R748		OPEN	K 10
R749		OPEN	J 9
R750	A11371-0R01	RES, 0 OHM 0805 50 MILOHM MAX	A 8
R751	A11368-10R00	RES, 10 OHM 1/16W 1% 0603	F 11

139087-14 REV. A		PWA, XTI1000	600029
R752	A11368-10R00	RES, 10 OHM 1/16W 1% 0603	I 11
R753		OPEN	D 9
R754		OPEN	D 9
R755	A11368-21510	RES, 2.15 KOHM 1/16W 1% 0603	M 3
R756		OPEN	L 10
R757		OPEN	L 10
R759		OPEN	K 9
R760		OPEN	K 9
R762	A11371-15R3	RES, 15 OHM .25W 5% 1210 T/R	K 9
R763	A11371-15R3	RES, 15 OHM .25W 5% 1210 T/R	K 8
R764	A11368-28701	287 OHM .1W 1% CHIP 0805	H 3
R765	A11368-28701	287 OHM .1W 1% CHIP 0805	H 3
R766		OPEN	B 6
R767	A11368-12721	12.7K 0.1W 1% 0805 T/R	C 5
R768		OPEN	B 5
R769	A11368-12721	12.7K 0.1W 1% 0805 T/R	C 3
R770		OPEN	H 6
R771	A11368-12721	12.7K 0.1W 1% 0805 T/R	I 5
R772		OPEN	H 5
R773	A11368-12721	12.7K 0.1W 1% 0805 T/R	I 3
R774	A11368-60420	RES, 60.4K OHM 1/16W 1% 0603	D 2
R775	A11368-60420	RES, 60.4K OHM 1/16W 1% 0603	K 2
R776	A11371-0R01	RES, 0 OHM 0805 50 MILOHM MAX	C 2
R777	A11371-0R01	RES, 0 OHM 0805 50 MILOHM MAX	E 3
R778	A11371-0R01	RES, 0 OHM 0805 50 MILOHM MAX	I 2
R779	A11371-0R01	RES, 0 OHM 0805 50 MILOHM MAX	K 3
R782	A11368-22R11	22.1 OHM 0.1W 1% 0805 T/R	C 5
R783	A11368-22R11	22.1 OHM 0.1W 1% 0805 T/R	C 3
R784	A11368-22R11	22.1 OHM 0.1W 1% 0805 T/R	I 5
R785	A11368-22R11	22.1 OHM 0.1W 1% 0805 T/R	I 3
R786	A11368-24910	RES, 2.49 KOHM 1/16W 1% 0603	C 2
R787	A11368-24910	RES, 2.49 KOHM 1/16W 1% 0603	L 2
R788	A11368-28003	280 OHM .25W 1% 1210 T/R	C 8
R789	A11368-28003	280 OHM .25W 1% 1210 T/R	B 8
R790	A11368-28003	280 OHM .25W 1% 1210 T/R	L 8
R791	A11368-28003	280 OHM .25W 1% 1210 T/R	K 8
R796		OPEN	L 10
R797		OPEN	K 9
R798		OPEN	D 8
R799		OPEN	B 8
R800	A11371-0R01	RES, 0 OHM 0805 50 MILOHM MAX	L 8
R801	A11371-0R01	RES, 0 OHM 0805 50 MILOHM MAX	J 8
R802		OPEN	M 8
R803		OPEN	J 8
R804	A11371-0R01	RES, 0 OHM 0805 50 MILOHM MAX	B 6
R805	A11371-0R01	RES, 0 OHM 0805 50 MILOHM MAX	C 5
R806	A11371-0R01	RES, 0 OHM 0805 50 MILOHM MAX	I 6
R807	A11371-0R01	RES, 0 OHM 0805 50 MILOHM MAX	I 5
R808		OPEN	L 8
R809	A11368-49910	RES, 4.99 KOHM 1/16W 1% 0603	J 2
R810	A11368-10020	RES, 10.0 KOHM 1/16W 1% 0603	J 2
R811	A11368-49910	RES, 4.99 KOHM 1/16W 1% 0603	K 1
R812	A11368-10030	RES, 100.0 KOHM 1/16W 1% 0603	J 2
R813	A11368-24920	RES, 24.9 KOHM 1/16W 1% 0603	J 2
R814	A11368-40220	RES,40.2KOHM .0625W 1% 0603T/R	J 2
R815	A11368-29421	29.4 KOHM .1W 1% 0805 T/R	J 1
R816	A11368-20003	RES, 200 OHM 1% 0.25W 1210 T/R	J 1
R817	A11368-20003	RES, 200 OHM 1% 0.25W 1210 T/R	J 1
R818		OPEN	C 9

139087-14 REV. A

PWA, XTI1000

600029

R819		OPEN	M 9
R820		OPEN	B 10
R821		OPEN	L 9
R822		OPEN	A 10
R823		OPEN	L 9
R824	A11368-49910	RES, 4.99 KOHM 1/16W 1% 0603	N 1
R825	A11368-10020	RES, 10.0 KOHM 1/16W 1% 0603	H 2
R900		OPEN	A 3
R901	A11368-10041	1M OHM .1W 1% CHIP 0805	F 1
R902	A11368-10000	RES, 100 OHM 1/16W 1% 0603	F 1
R903	A11368-10000	RES, 100 OHM 1/16W 1% 0603	F 2
R904	A11368-49923	49.9KOHM .25W 1% CHIP 1210	P 8
R905	A11368-49923	49.9KOHM .25W 1% CHIP 1210	P 8
R906	A11371-8205	82 OHM 1W 5% SMD 2512	A 2
R907		OPEN	A 2
R908		OPEN	A 2
R918	A11368-33R20	RES, 33.2 OHM 1/16W 1% 0603	G 1
R919	A11368-33R20	RES, 33.2 OHM 1/16W 1% 0603	G 1
R920	A11368-10010	RES, 1.0 KOHM 1/16W 1% 0603	G 2
R925	A11368-33R20	RES, 33.2 OHM 1/16W 1% 0603	G 2
R926	A11368-33R20	RES, 33.2 OHM 1/16W 1% 0603	G 1
R927	A11368-33R20	RES, 33.2 OHM 1/16W 1% 0603	G 2
R928	A11368-33R20	RES, 33.2 OHM 1/16W 1% 0603	I 1
R929	A11368-33R20	RES, 33.2 OHM 1/16W 1% 0603	I 2
R931	A11368-33R20	RES, 33.2 OHM 1/16W 1% 0603	F 2
R938	A11368-10020	RES, 10.0 KOHM 1/16W 1% 0603	G 1
R939	A11368-10020	RES, 10.0 KOHM 1/16W 1% 0603	G 1
R990	A11368-47001	470 OHM, 0.10W 1% MF 0805	F 1
R993	A11368-10020	RES, 10.0 KOHM 1/16W 1% 0603	F 2
R999	A11368-10011	1.KOHM .1W 1% CHIP 0805	I 12
RT1	139113-1	THERMISTOR, 22K 0805 SMT	D 7
RT2	139113-1	THERMISTOR, 22K 0805 SMT	D 4
RT3	138357-1	PRP, 101103-1 PTC .155	L 2
RT3X	C 8982-8	TO-220 XSISTOR HOLDER, PLASTIC	L 2
RT4	139113-1	THERMISTOR, 22K 0805 SMT	J 7
RT5	139113-1	THERMISTOR, 22K 0805 SMT	J 4
RT6	138357-1	PRP, 101103-1 PTC .155	P 3
RT6X	C 8982-8	TO-220 XSISTOR HOLDER, PLASTIC	P 3
S7	132498-1	SWITCH, DPST PUSHBUTTON VDECSA	P 1
T1	138538-1	XFMR, E55 11:5:2 125kHz	O 6
TB1		OPEN	F 12
TP1		OPEN	H 1
TP2	127064-1	TEST POINT, SMT 1206	L 11
TP3		OPEN	I 1
TP4		OPEN	I 1
TP5		OPEN	H 1
TP11		OPEN	I 1
TP12		OPEN	H 1
TP13		OPEN	H 1
TP14		OPEN	H 1
TP15		OPEN	I 1
TP16		OPEN	H 1
TP17		OPEN	H 2
TP18		OPEN	H 2
TP19		OPEN	H 1
TP20		OPEN	A 11
TP21	127064-1	TEST POINT, SMT 1206	P 5
TP22	127064-1	TEST POINT, SMT 1206	M 3
TP26	127064-1	TEST POINT, SMT 1206	M 9

139087-14 REV. A		PWA, XTI1000	600029
TP27	127064-1	TEST POINT, SMT 1206	L 11
TP28	127064-1	TEST POINT, SMT 1206	O 2
TP29	127064-1	TEST POINT, SMT 1206	P 1
TP30	127064-1	TEST POINT, SMT 1206	M 1
TP31	127064-1	TEST POINT, SMT 1206	P 1
U1	139301-3	IC, MCU LPC2142 (PROGRAMMED)	H 1
U2	138251-1	IC, CS4272 24 BIT 192KHZ CODEC	F 2
U3	138411-1	XSISTOR, STT818B LV PWR PNP	G 2
U4		OPEN	L 1
U4X	139969-1	OPTO, SMD IEC60065 COMPLIANT	L 1
U5	C 8262-5	MC33078D LOW NOISE DUAL OP AMP	D 1
U6	126561-1	REG, +5V LOW POWER SO-8	F 1
U7	139522-1	IC, INVERTER DUAL UNBUFF NL27WZU04	F 1
U8	C 8262-5	MC33078D LOW NOISE DUAL OP AMP	C 1
U10	C 8262-5	MC33078D LOW NOISE DUAL OP AMP	F 3
U11	C 8262-5	MC33078D LOW NOISE DUAL OP AMP	E 1
U12	C 8262-5	MC33078D LOW NOISE DUAL OP AMP	D 1
U13	102484-1	REG +15V D2PAK 2.25W	A 1
U14	138341-1	IC, TL494 PWM CTRL SO-16	N 1
U15	139908-1	IC, M45PE20 256KX8 FLASH XTI(PROGRAMMED)	G 1
U16	126559-1	COMPARATOR, LM393 SO-8 DUAL	P 1
U17	133552-1	OP AMP, LM358 LOW PWR DUAL S08	K 1
U18	138908-1	DRVR, 600V HB FAN7380MX	N 2
U19	C 8262-5	MC33078D LOW NOISE DUAL OP AMP	I 2
U20	102485-1	REG -15V D2PAK 2.25W	A 3
U22		OPEN	B 10
U23		OPEN	C 10
U24		OPEN	C 9
U25		OPEN	K 10
U26		OPEN	G 9
U27		OPEN	L 10
U28		OPEN	J 9
U29		OPEN	G 9
U32		OPEN	D 9
U33		OPEN	K 9
U101	133552-1	OP AMP, LM358 LOW PWR DUAL S08	B 3
U102	138475-1	IC, LM75 DIGITAL THERM SENSOR	D 6
U103	C 9038-8	COMPARATOR, QUAD LM339D SO-14	H 3
U104	133552-1	OP AMP, LM358 LOW PWR DUAL S08	M 3
U105	138475-1	IC, LM75 DIGITAL THERM SENSOR	J 6
U106	138475-1	IC, LM75 DIGITAL THERM SENSOR	M 5
U801	138341-1	IC, TL494 PWM CTRL SO-16	J 1
U911	137548-1	IC, 28-BIT PROCESSOR AD1940	G 2
W1		OPEN	J 11
W2		OPEN	K 11
W3		OPEN	K 11
W4		OPEN	L 11
Y1	132014-1	XTAL, 16MHZ 20PF LOAD SMT	H 1
Y901	137778-1	OSC, 12.288MHZ	G 1

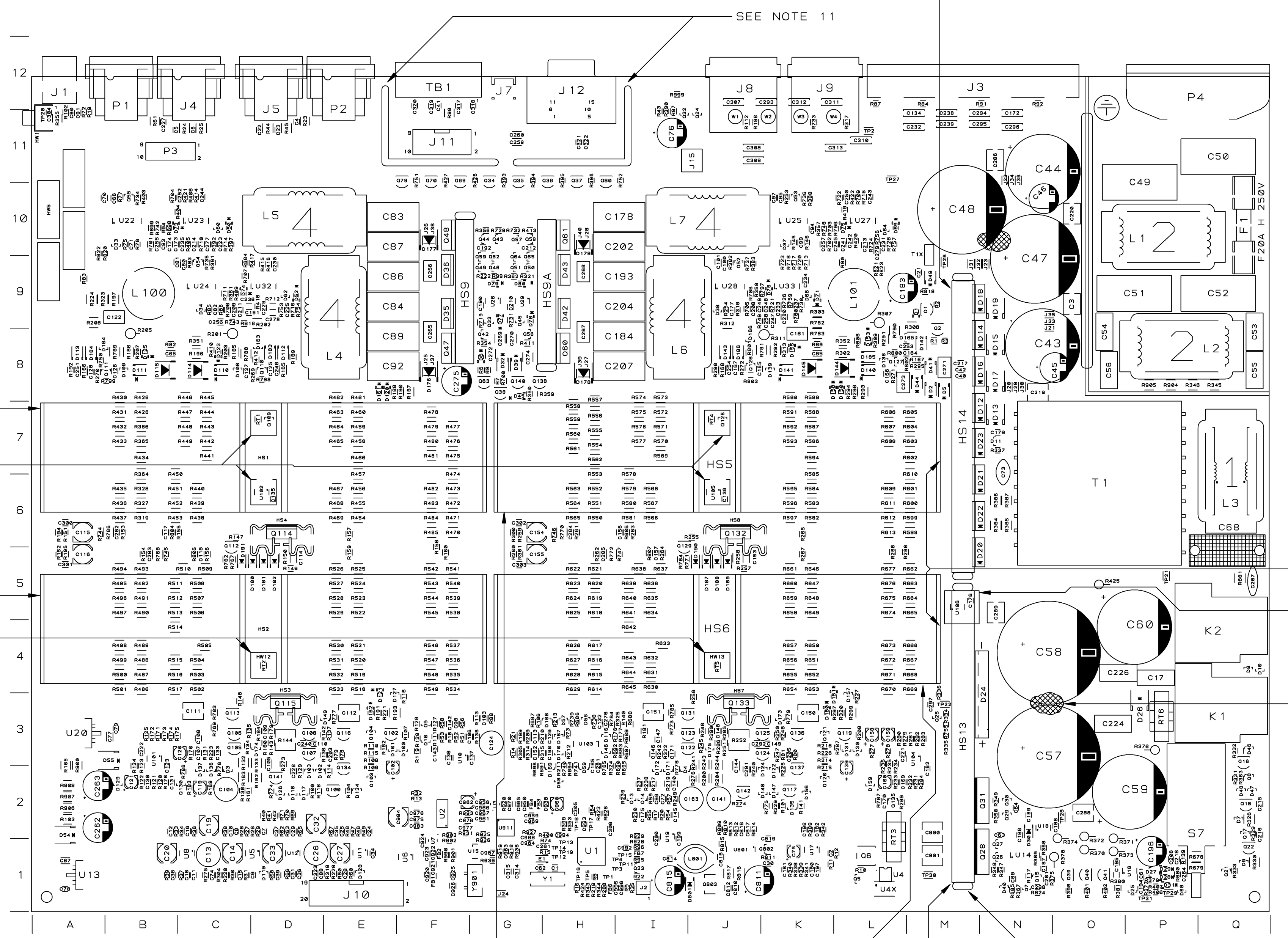
Section 2.2

XTi1000 Schematic 139087-14

REVISION HISTORY					
E. C. N.	ZONE	REV	DESCRIPTION	DATE	APPROVED
		A	SEE 139087-14_A.XLS FOR DATA AND REVISION HISTORY.	12-05-07	KLW DSV TJS

COMPONENT MAP
TOP SIDE

DETAIL "C"



DETAIL "B"

DETAIL "G"

DETAIL "A"

DETAIL "G"

SEE NOTE 12

DETAIL "F"

HOT MELT GLUE
2 PLACES
SHOWN FOR REFERENCE ONLY

SEE NOTES 7 & 8
(TYP. 4 PLACES)

DETAIL "B"

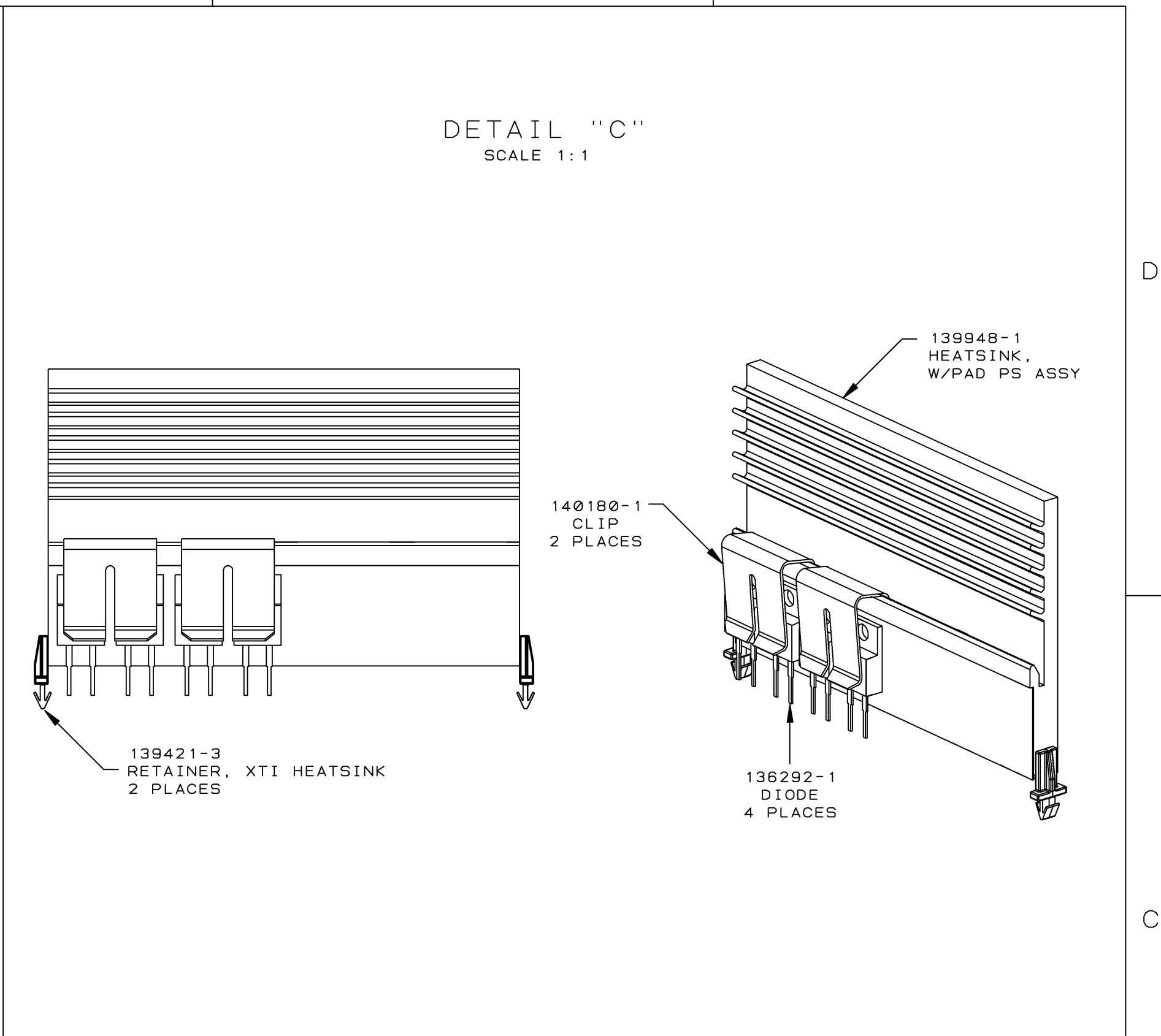
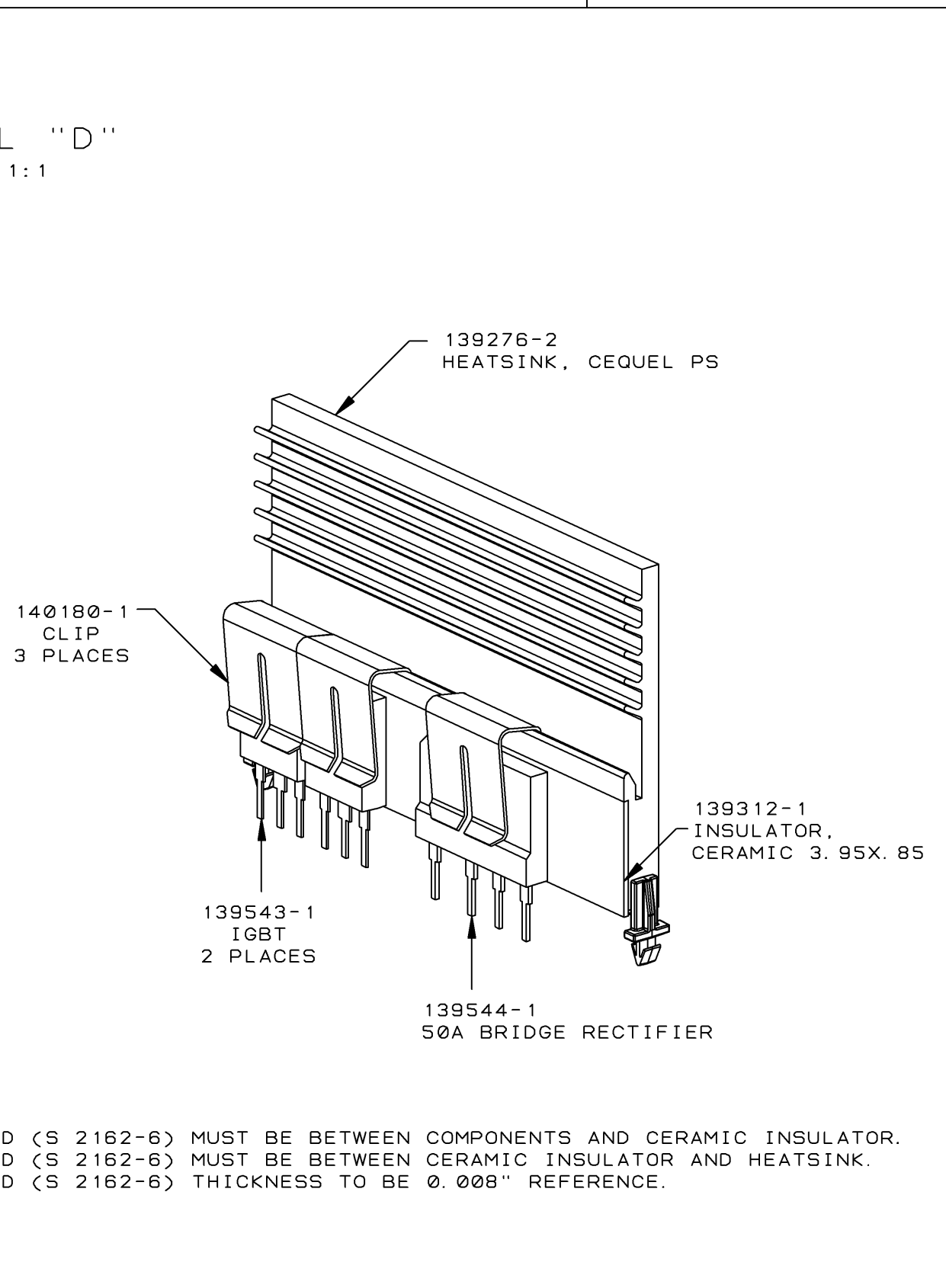
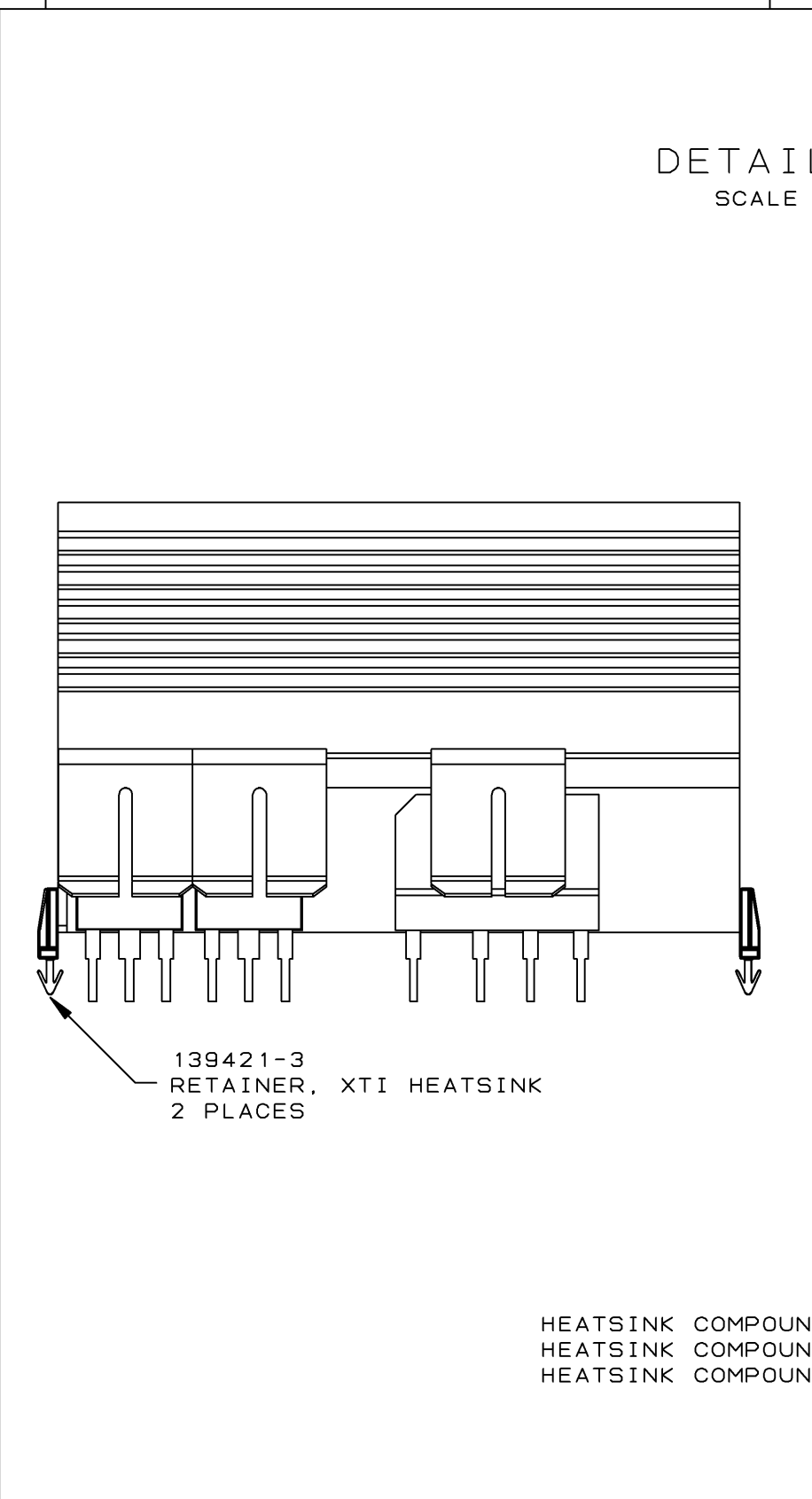
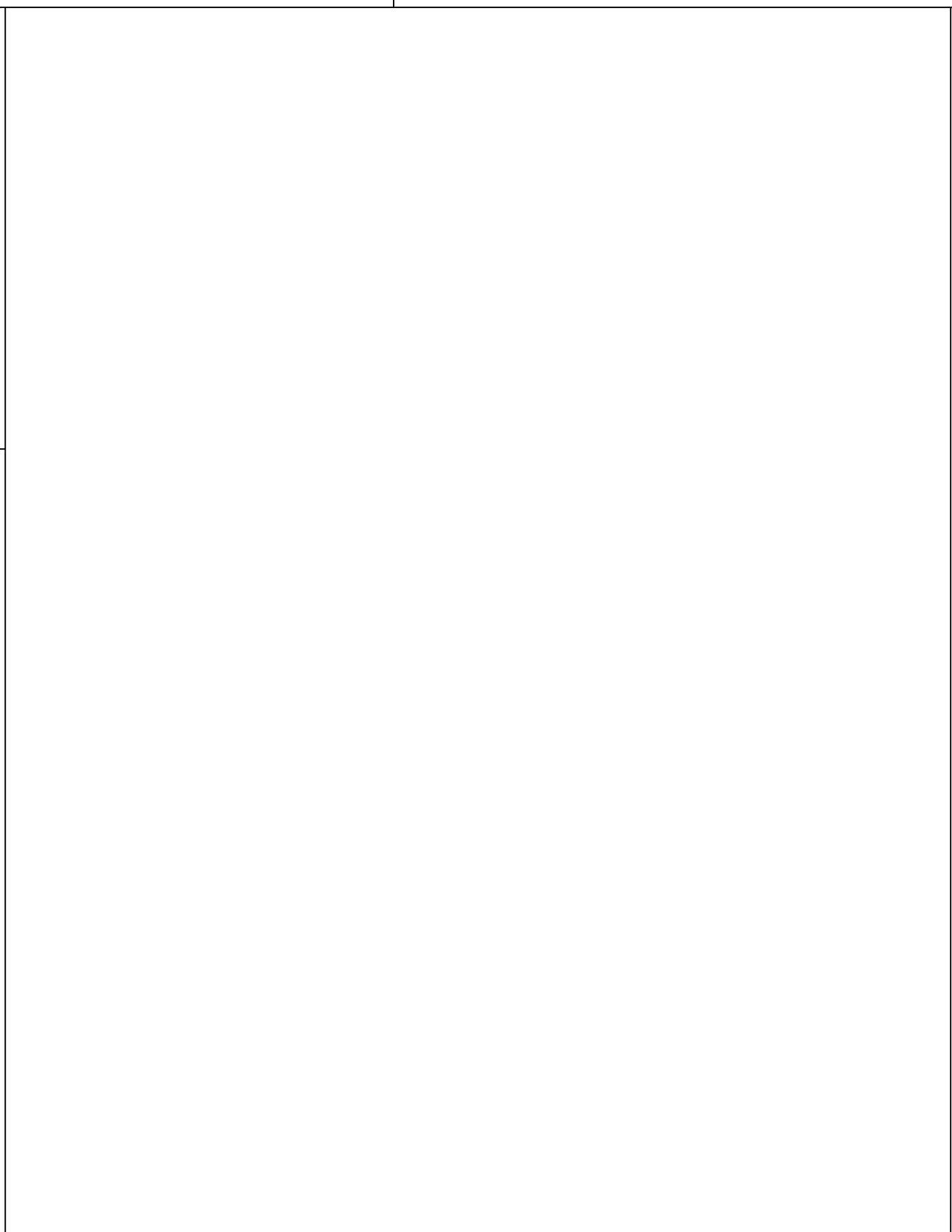
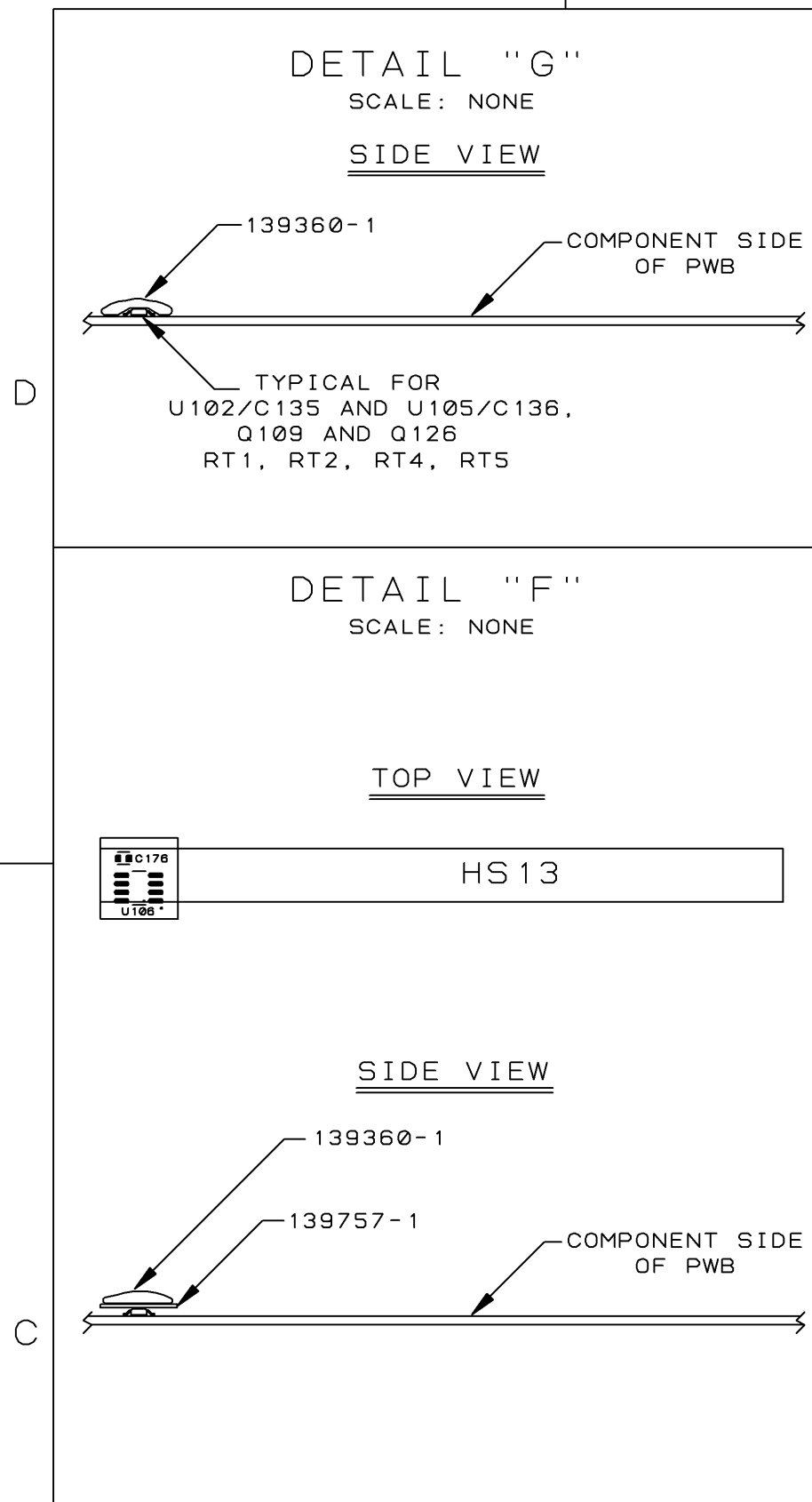
DETAIL "D"

DETAIL "A"

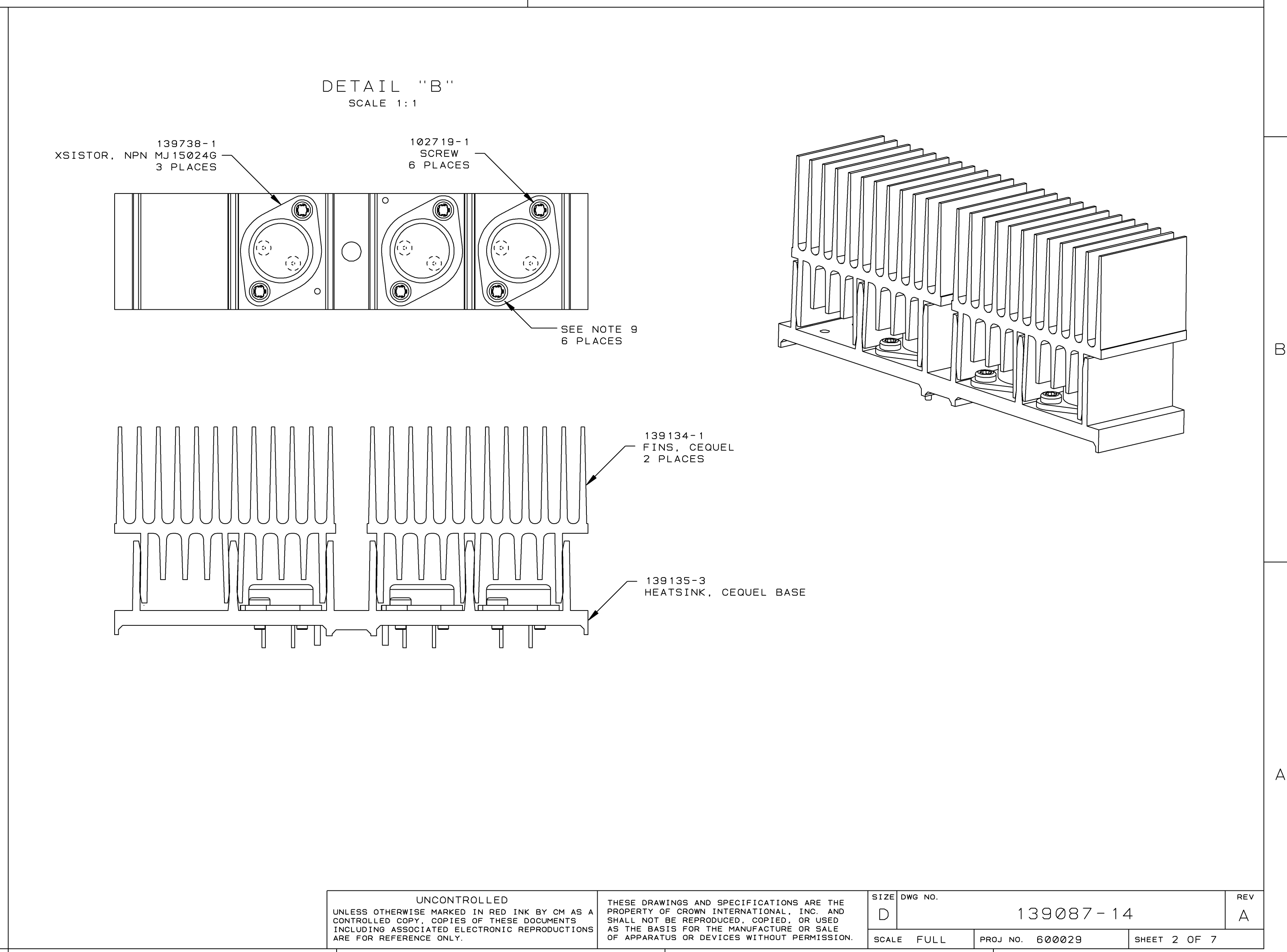
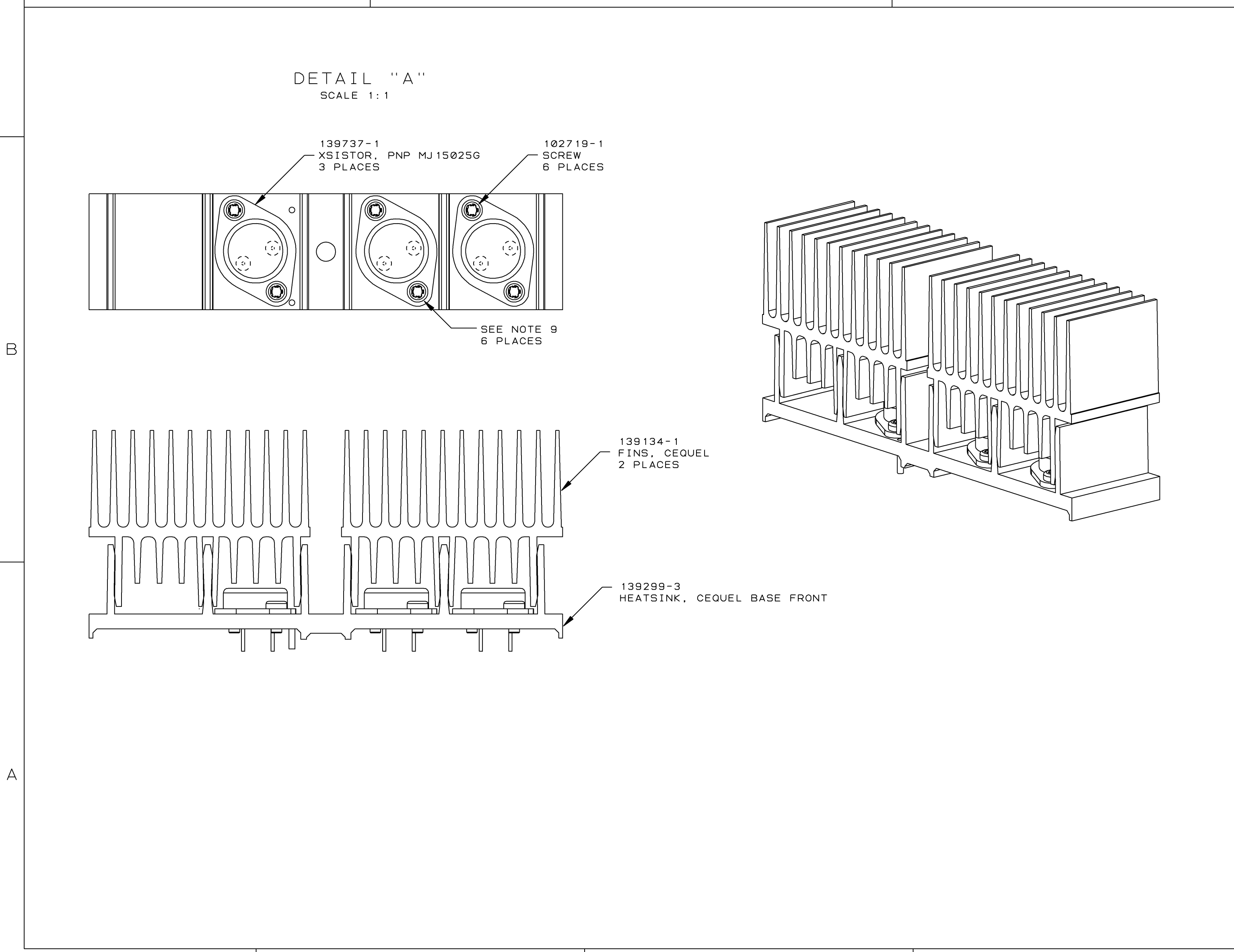
DWN	KLW	12-05-07	CROWN H A Harman International Company 1718 WEST MISHAWAKA RD. ELKHART IN. 46517 PHONE 574-284-8000 WWW.CROWNAUDIO.COM
CM	DSV	12-10-07	
DISTRIBUTION			PE TJS 12-05-07
FILENAME			TITLE
K			PWA, XTI1000
TOLERANCE UNLESS OTHERWISE SPECIFIED			SIZE DWG NO.
00 = ±.02 000 = ±.010 DRILLS = ±.003			139087-14
DO NOT SCALE DRAWING			REV A
SCALE FULL		PROJ. NO. 600029	SHEET 1 OF 7

UNCONTROLLED
UNLESS OTHERWISE MARKED IN RED INK BY CM AS A CONTROLLED COPY, COPIES OF THESE DOCUMENTS INCLUDING ASSOCIATED ELECTRONIC REPRODUCTIONS ARE FOR REFERENCE ONLY.

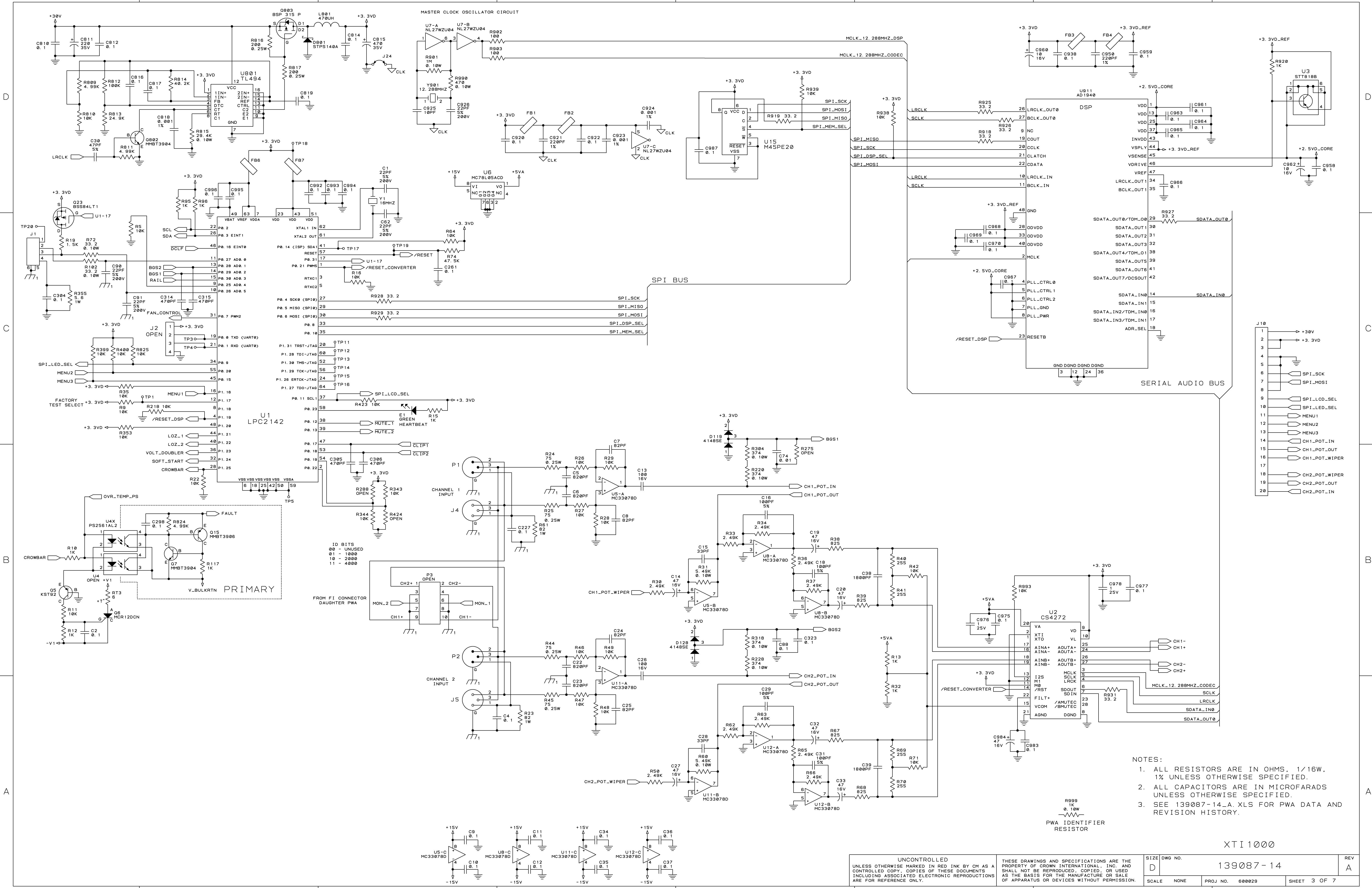
THESE DRAWINGS AND SPECIFICATIONS ARE THE PROPERTY OF CROWN INTERNATIONAL, INC. AND SHALL NOT BE REPRODUCED, COPIED, OR USED AS THE BASIS FOR THE MANUFACTURE OR SALE OF APPARATUS OR DEVICES WITHOUT PERMISSION.



HEATSINK COMPOUND (S 2162-6) MUST BE BETWEEN COMPONENTS AND CERAMIC INSULATOR.
HEATSINK COMPOUND (S 2162-6) MUST BE BETWEEN CERAMIC INSULATOR AND HEATSINK.
HEATSINK COMPOUND (S 2162-6) THICKNESS TO BE 0.008" REFERENCE.



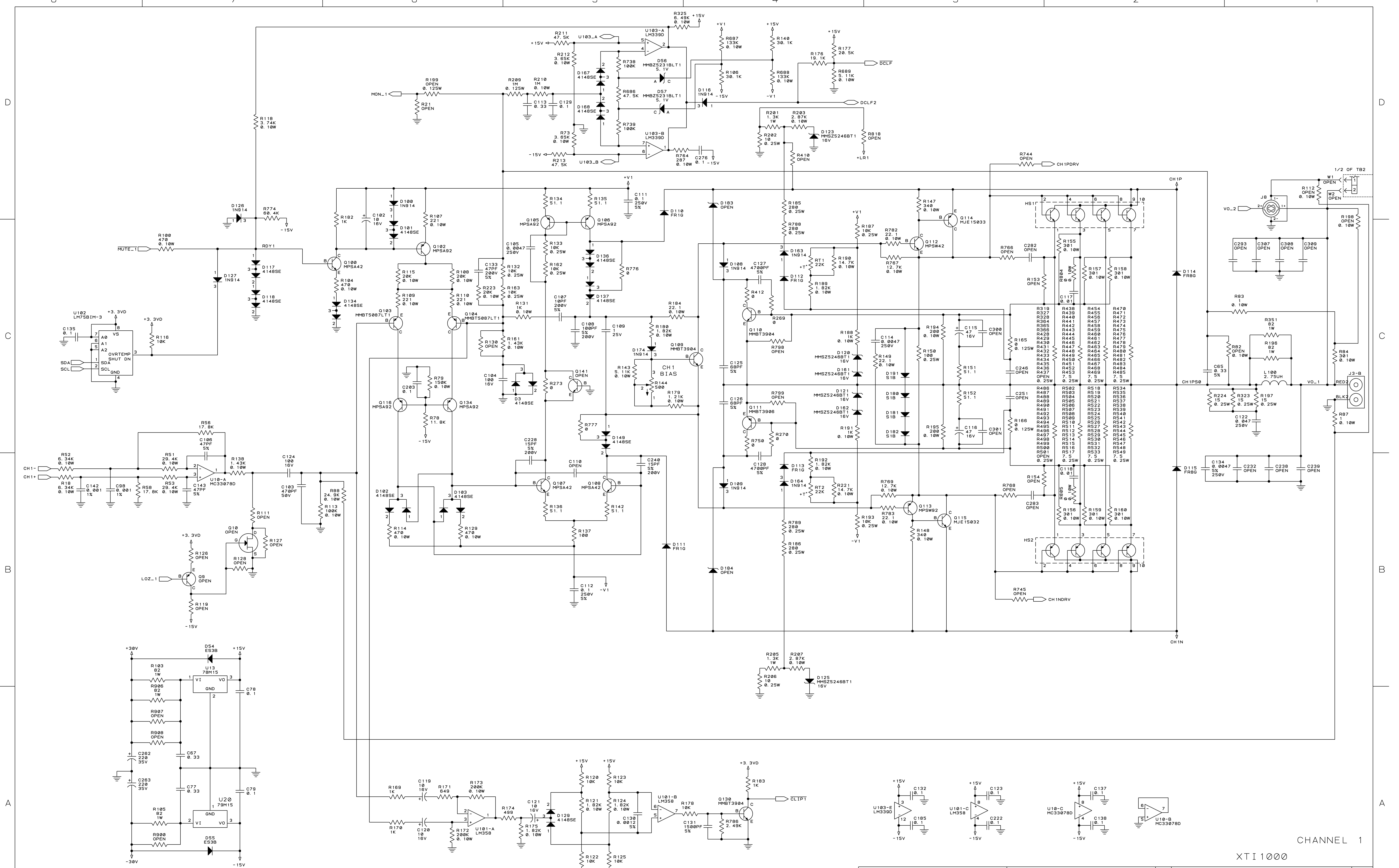
UNCONTROLLED UNLESS OTHERWISE MARKED IN RED INK BY CM AS A CONTROLLED COPY, COPIES OF THESE DOCUMENTS INCLUDING ASSOCIATED ELECTRONIC REPRODUCTIONS ARE FOR REFERENCE ONLY.	THESE DRAWINGS AND SPECIFICATIONS ARE THE PROPERTY OF CROWN INTERNATIONAL, INC. AND SHALL NOT BE REPRODUCED, COPIED, OR USED AS THE BASIS FOR THE MANUFACTURE OR SALE OF APPARATUS OR DEVICES WITHOUT PERMISSION.		SIZE D	DWG NO. 139087-14	REV A
	SCALE FULL	PROJ NO. 600029	SHEET 2 OF 7		



NOTES:
1. ALL RESISTORS ARE IN OHMS, 1/16W, 1% UNLESS OTHERWISE SPECIFIED.
2. ALL CAPACITORS ARE IN MICROFARADS UNLESS OTHERWISE SPECIFIED.
3. SEE 139087-14_A.XLS FOR PWA DATA AND REVISION HISTORY.

XTI1000

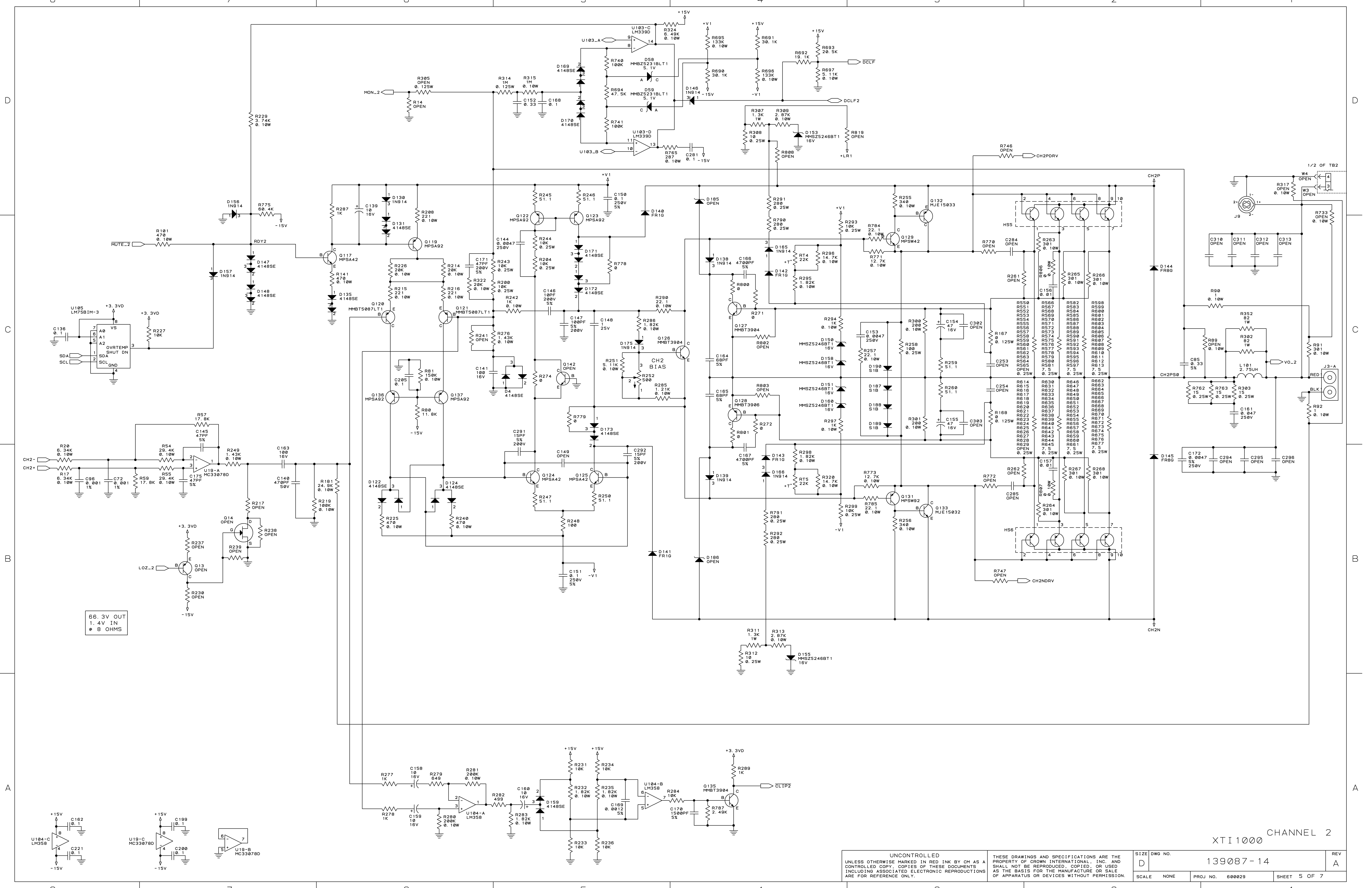
UNCONTROLLED UNLESS OTHERWISE MARKED IN RED INK BY CM AS A PROPERTY OF CROWN INTERNATIONAL, INC. AND SHALL NOT BE REPRODUCED, COPIED, OR USED AS THE BASIS FOR THE MANUFACTURE OR SALE OF APPARATUS OR DEVICES WITHOUT PERMISSION.		SIZE D	DWG NO. 139087-14	REV A
SCALE NONE	PROJ NO. 600029	SHEET 3 OF 7		



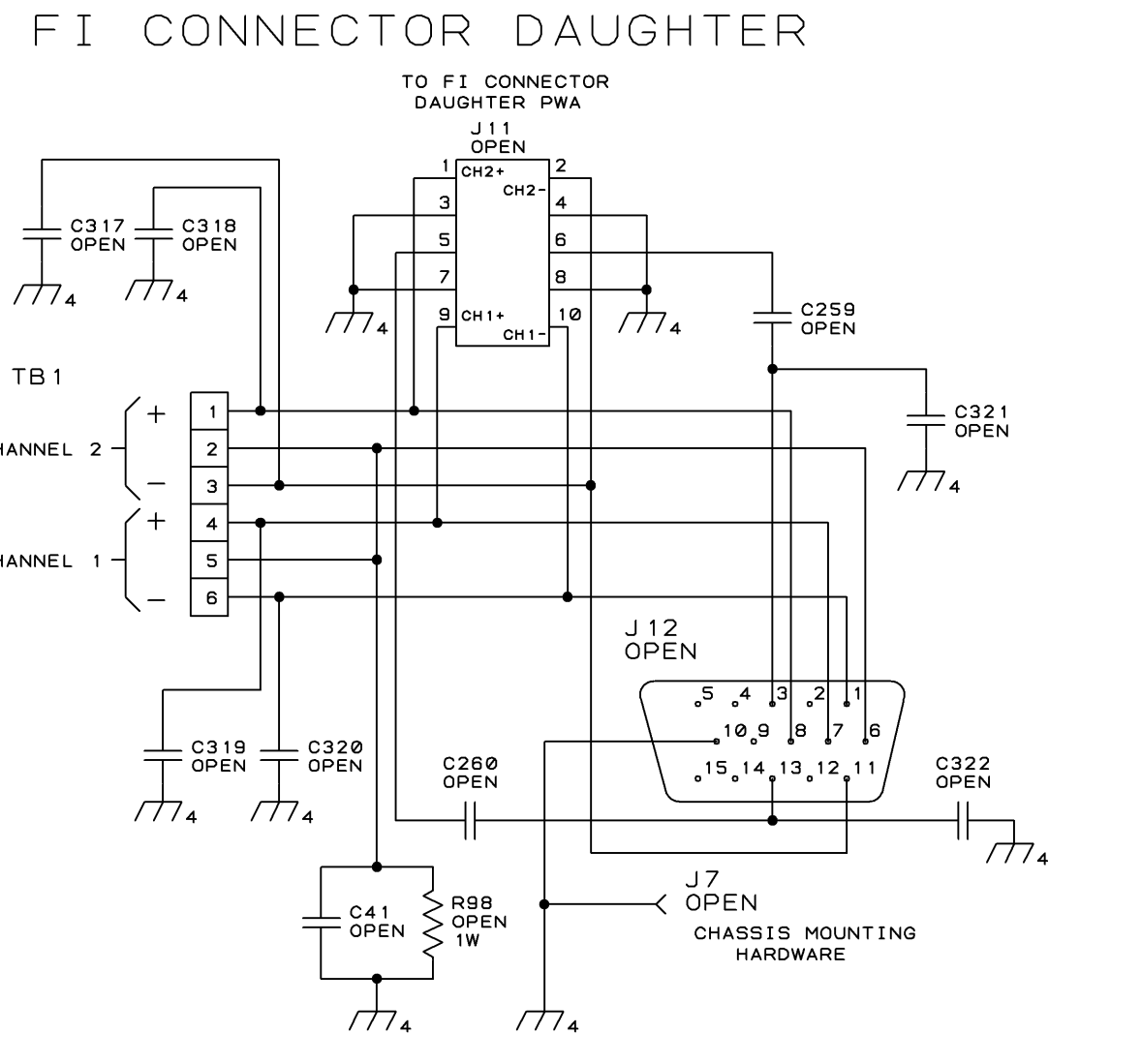
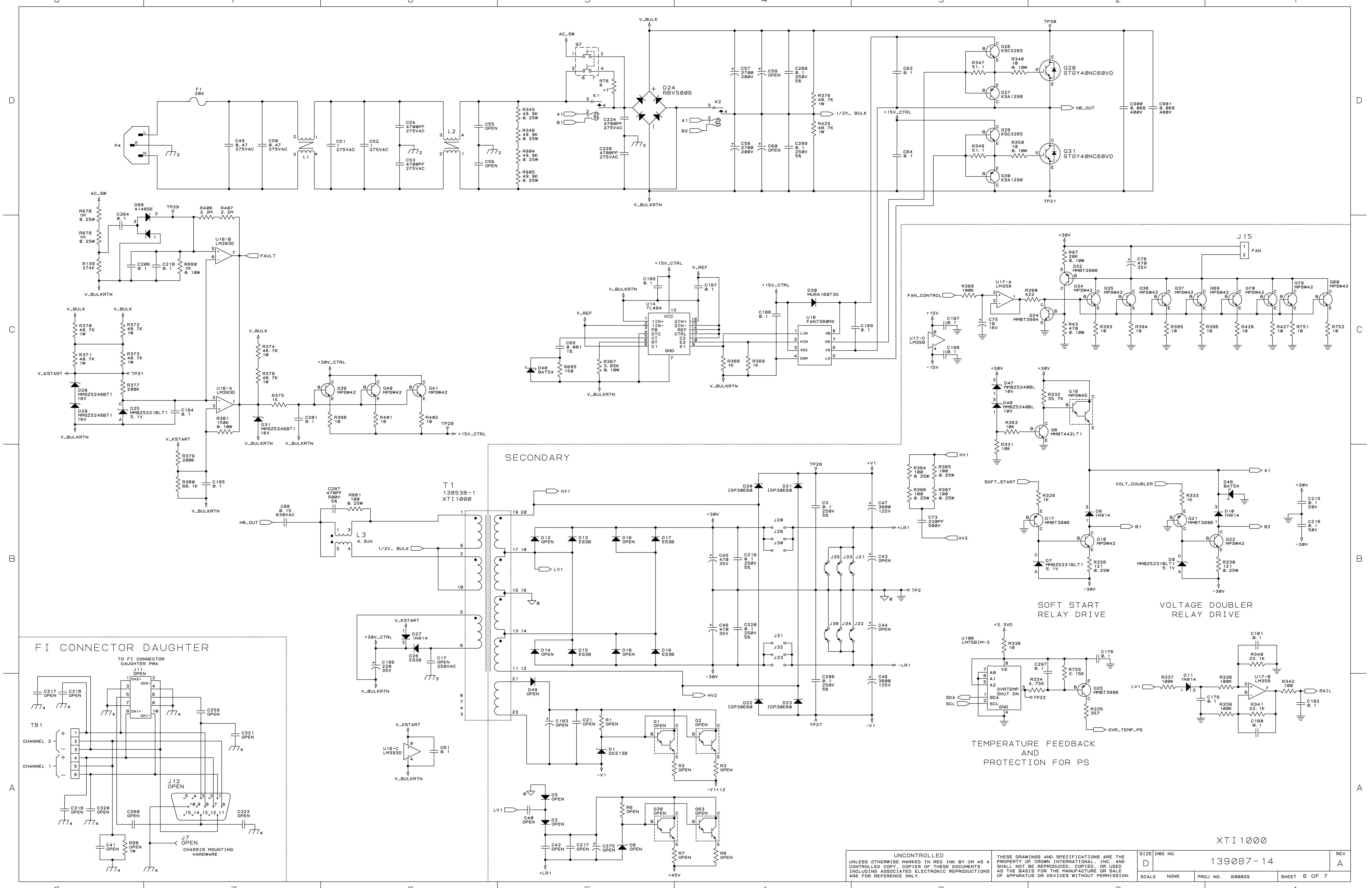
CHANNEL 1

XTI 1000

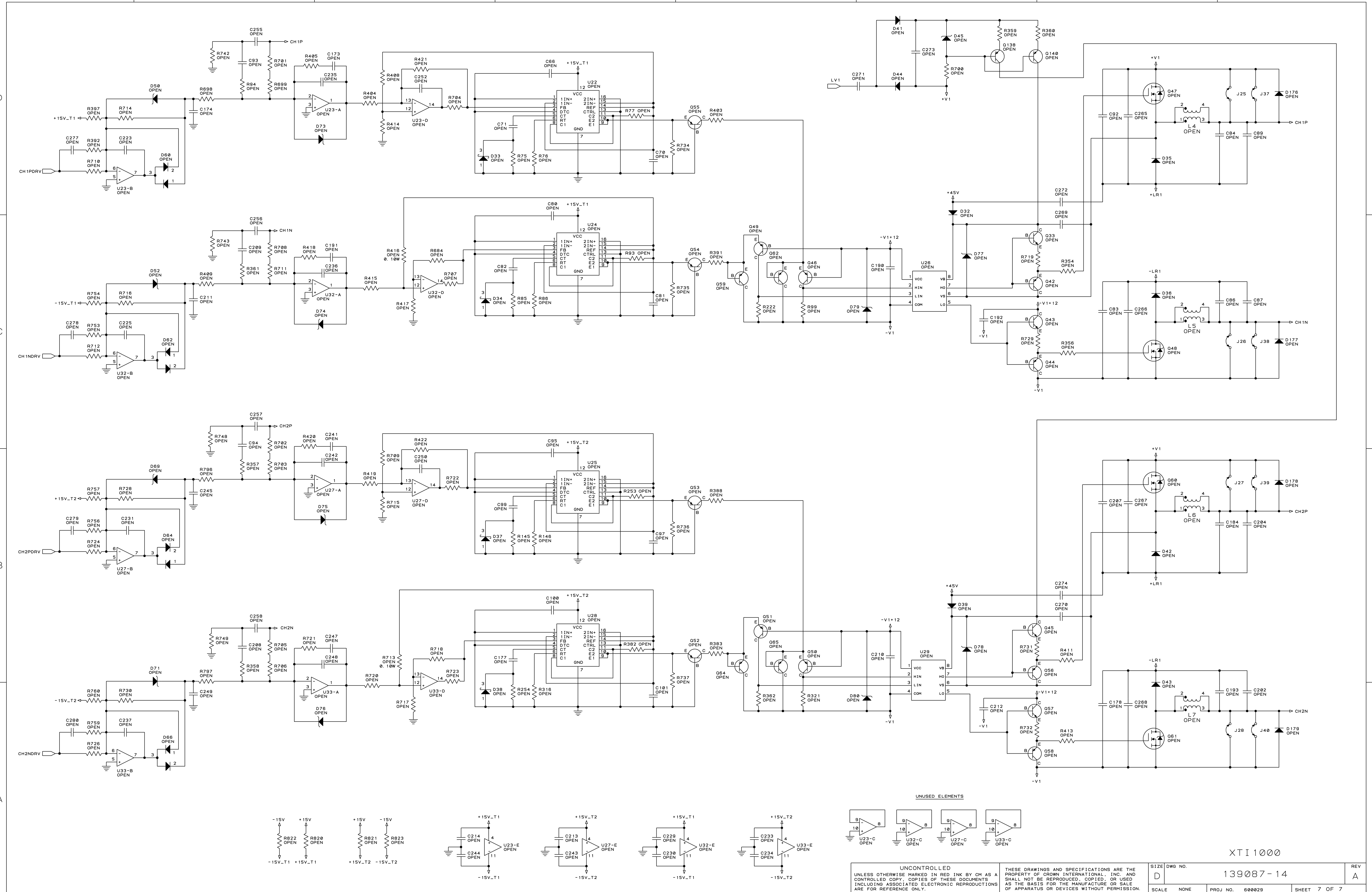
UNCONTROLLED UNLESS OTHERWISE MARKED IN RED INK BY CM AS A CONTROLLED COPY, COPIES OF THESE DOCUMENTS INCLUDING ASSOCIATED ELECTRONIC REPRODUCTIONS ARE FOR REFERENCE ONLY.		THESE DRAWINGS AND SPECIFICATIONS ARE THE PROPERTY OF CROWN INTERNATIONAL, INC. AND SHALL NOT BE REPRODUCED, COPIED, OR USED AS THE BASIS FOR THE MANUFACTURE OR SALE OF APPARATUS OR DEVICES WITHOUT PERMISSION.		SIZE D	DWG NO. 139087-14	REV A
SCALE NONE	PROJ NO. 600029	SHEET 4 OF 7				



UNCONTROLLED		THESE DRAWINGS AND SPECIFICATIONS ARE THE PROPERTY OF CROWN INTERNATIONAL, INC. AND SHALL NOT BE REPRODUCED, COPIED, OR USED AS THE BASIS FOR THE MANUFACTURE OR SALE OF APPARATUS OR DEVICES WITHOUT PERMISSION.	
SIZE	DWG NO.	REV	
D	139087-14	A	
SCALE	NONE	PROJ. NO.	600029
		SHEET	5 OF 7



UNCONTROLLED UNLESS OTHERWISE MARKED IN RED INK BY CM AS A CONTROLLED COPY. COPIES OF THESE DOCUMENTS INCLUDING ASSOCIATED ELECTRONIC REPRODUCTIONS ARE FOR REFERENCE ONLY.		THESE DRAWINGS AND SPECIFICATIONS ARE THE PROPERTY OF CROWN INTERNATIONAL, INC. AND SHALL NOT BE REPRODUCED, COPIED, OR USED AS THE BASIS FOR THE MANUFACTURE OR SALE OF APPARATUS OR DEVICES WITHOUT PERMISSION.		SIZE D	DWG. NO. 139087-14	REV A
SCALE NONE		PROJ. NO. 600029		SHEET 6 OF 7		



A

A

D

D

C

C

B

B

A

A

8

7

6

5

4

3

2

1

Section 2.3
XTi2000 BOM PWA 139086-14

REVISION HISTORY						
E.C.N	REV	DESCRIPTION	DATE	DWN	PE	CM
	A	INITIAL RELEASE DERIVED FROM 139086-14 REV 1 WITH THE FOLLOWING CHANGE: HS13B, HS13C, HS13D, HS14E, HS14F, HS14G, AND HS14H WERE 139310-1.	12/05/07	KLW	TJS	DSV

UNLESS OTHERWISE SPECIFIED, THIS PRINTED WIRING ASSEMBLY SHALL MEET THE SPECIFICATION DESCRIBED IN IPC-A-610_ CLASS 2 STANDARDS.

ROHS COMPLIANCE: THIS PART MUST COMPLY WITH CROWN AUDIO SPECIFICATION 138935 AND ROHS DIRECTIVE 2002/95/EC OR BE DEFINED AS A ROHS APPROVED EXCEPTION.

NOTES:

1. PRINTED WIRING BOARD PART NUMBER **138348-9**.
2. SEE **139086-14_A**.TIF FOR SCHEMATIC AND BOARD MAP
3. ALL LEADS SHALL BE TRIMMED TO 0.093" OR LESS.
4. POSITION COMPONENTS AS SHOWN ON COMPONENT MAP.
5. THE PRINTED WIRING ASSEMBLY PART NUMBER FOR THIS ASSEMBLY SHALL BE MARKED ON THE PRINTED WIRING BOARD AND SHALL BE PERMANENT.
6. **DO NOT PICK-UP** THE PWA ASSEMBLY BY THE HEATSINK ASSEMBLIES
7. INSURE RETAINERS **139421-3** ARE FULLY INSERTED INTO THE POWER SUPPLY HEATSINKS.
8. INSURE RETAINERS ON THE POWER SUPPLY HEATSINK ASSEMBLIES ARE FULLY INSERTED INTO THE PWB WHEN INSTALLING
NOTE: IF RETAINER CLIP **139421-3** BREAKS AFTER SOLDERING REPAIR AS FOLLOWS:
 - REMOVE BROKEN CLIP FROM THE HEATSINK AND PWB
 - APPLY SILICONE **S 5700-0** INTO THE PWB SLOT AND GROOVE OF THE HEATSINK
 - **DO NOT ATTEMPT TO REMOVE THE HEATSINK ASSEMBLY FROM THE BOARD**
9. OUTPUT TRANSISTOR SCREWS ARE TORQUED TO 20-22 IN LBS.
10. **139360-1** IS CONSUMED IN HEATSINK ASSEMBLIES HS1, HS5 AND HS13.
11. USE SIDE CUTTERS TO SEVER THE BOARD TABS OF THE BREAKOUT BOARD, SEE COMPONENT MAP.
12. ADD **139901-1** SPACER HW3 AND HW4, BETWEEN HEATSINKS HS14 AND HS5, AND HS13 AND HS6 RESPECTIVELY



UNCONTROLLED
UNLESS OTHERWISE MARKED IN RED INK BY CM AS A CONTROLLED COPY, COPIES OF THESE DOCUMENTS INCLUDING ASSOCIATED ELECTRONIC REPRODUCTIONS ARE FOR REFERENCE ONLY
THESE DRAWINGS AND SPECIFICATIONS ARE THE PROPERTY OF CROWN INTERNATIONAL, INC. AND SHALL NOT BE REPRODUCED, COPIED, OR USED AS THE BASIS FOR THE MANUFACTURE OR SALE OF APPARATUS OR DEVICES WITHOUT PERMISSION.

DWN	KLW	12/05/07	PE	TJS	12/05/07	CM	DSV	12/10/07	DIST.	K		
-----	-----	----------	----	-----	----------	----	-----	----------	-------	---	--	--

REF. DES.	CPN	DESCRIPTION	MAP LOC.
C1	102438-220J2	22PF 200V 5% NPO 0805 T/R	H 1
C2	135505-1	CAP, 0.1UF 25V 10% X7R 0603	K 1
C3	A10434-104JD	.1UF 250V 5% MTL POLY FILM T/A	O 9
C4	135505-1	CAP, 0.1UF 25V 10% X7R 0603	D 11
C5	A11369-821K2	820PF 50V 10% NPO MLC 0805	B 11
C6	A11369-821K2	820PF 50V 10% NPO MLC 0805	C 11
C7	A11369-820K1	82PF 50V 10% NPO MLC 0603	D 2
C8	A11369-820K1	82PF 50V 10% NPO MLC 0603	C 2
C9	135505-1	CAP, 0.1UF 25V 10% X7R 0603	D 1
C10	135505-1	CAP, 0.1UF 25V 10% X7R 0603	C 2
C11	135505-1	CAP, 0.1UF 25V 10% X7R 0603	C 1
C12	135505-1	CAP, 0.1UF 25V 10% X7R 0603	B 2
C13	C 9157-6	100UF 16V 20% NP ELEC RAD T/R	C 1
C14	126623-1	47UF 16V 6.3X5.5MM 20% SMT	C 1
C15	A11369-330J1	CAP, 33PF 50V NPO 5% 0603	C 1
C16	102438-101J2	100PF 200V 5% NPO 0805 T/R	C 2
C17		OPEN	P 4
C18	102438-101J2	100PF 200V 5% NPO 0805 T/R	C 1
C19	126623-1	47UF 16V 6.3X5.5MM 20% SMT	C 2
C20	126623-1	47UF 16V 6.3X5.5MM 20% SMT	B 1
C21	A11427-104K2	.1UF 50V CHIP CAP 10% 0805 X7R	M 9
C22	A11369-821K2	820PF 50V 10% NPO MLC 0805	D 11
C23	A11369-821K2	820PF 50V 10% NPO MLC 0805	D 11
C24	A11369-820K1	82PF 50V 10% NPO MLC 0603	E 2
C25	A11369-820K1	82PF 50V 10% NPO MLC 0603	E 2
C26	C 9157-6	100UF 16V 20% NP ELEC RAD T/R	D 1
C27	126623-1	47UF 16V 6.3X5.5MM 20% SMT	E 1
C28	A11369-330J1	CAP, 33PF 50V NPO 5% 0603	E 1
C29	102438-101J2	100PF 200V 5% NPO 0805 T/R	D 2
C30	102438-470J2	47PF 200V 5% NPO 0805	K 1
C31	102438-101J2	100PF 200V 5% NPO 0805 T/R	D 1
C32	126623-1	47UF 16V 6.3X5.5MM 20% SMT	D 2
C33	126623-1	47UF 16V 6.3X5.5MM 20% SMT	D 1
C34	135505-1	CAP, 0.1UF 25V 10% X7R 0603	E 1
C35	135505-1	CAP, 0.1UF 25V 10% X7R 0603	E 2
C36	135505-1	CAP, 0.1UF 25V 10% X7R 0603	D 1
C37	135505-1	CAP, 0.1UF 25V 10% X7R 0603	D 2
C38	A11369-182J2	CAP, 1800P NPO 5% 50V 0805	B 1
C39	A11369-182J2	CAP, 1800P NPO 5% 50V 0805	D 1
C40	A11427-104K2	.1UF 50V CHIP CAP 10% 0805 X7R	M 8
C41		OPEN	F 12
C42	A11427-104K2	.1UF 50V CHIP CAP 10% 0805 X7R	M 8
C43	133569-1	CAP,10,000UF 35VDC PC MNT ELECT	N 8
C44	133569-1	CAP,10,000UF 35VDC PC MNT ELECT	N 11
C45		OPEN	O 8
C46		OPEN	N 10
C47	133323-1	CAP, 3800UF 125V ALUM ELECT	N 9
C48	133323-1	CAP, 3800UF 125V ALUM ELECT	M 10
C49	137030-1	CAP, 1UF X2 REDUCED SIZE	P 11
C50	137030-1	CAP, 1UF X2 REDUCED SIZE	Q 11
C51	137030-1	CAP, 1UF X2 REDUCED SIZE	P 9
C52	137030-1	CAP, 1UF X2 REDUCED SIZE	Q 9
C53	137455-1	CAP, 4700 PF 10% FILM Y2	Q 8
C54	137455-1	CAP, 4700 PF 10% FILM Y2	O 8
C55		OPEN	Q 8
C56		OPEN	O 8

139086-14 REV. A		PWA, XT12000	600029
C57	134163-1	CAP, 2700UF 20% 200V ELECT	N 3
C58	134163-1	CAP, 2700UF 20% 200V ELECT	N 4
C59	131310-2	CAP,1200UF 200VDC PC MNT ELECT	P 2
C60	131310-2	CAP,1200UF 200VDC PC MNT ELECT	P 4
C61	A11427-104K2	.1UF 50V CHIP CAP 10% 0805 X7R	P 1
C62	102438-220J2	22PF 200V 5% NPO 0805 T/R	G 1
C63	135505-1	CAP, 0.1UF 25V 10% X7R 0603	N 2
C64	135505-1	CAP, 0.1UF 25V 10% X7R 0603	N 2
C65	139705-1	CAP, 0.33UF 50V 5% X7R 1206	B 8
C66	139719-1	CAP, 1.0UF 25V X7R 10% 0805	B 10
C67	139705-1	CAP, 0.33UF 50V 5% X7R 1206	A 1
C68	139004-1	CAP, 0.33UF 630V POLYPROP	Q 5
C69	A11369-102F2	1000PF 50V 1% CHIP CAP	N 1
C70	139719-1	CAP, 1.0UF 25V X7R 10% 0805	B 10
C71	A11369-471F2	470.PF 50V 1% NPO MLC 0805	B 10
C72	A11369-102F2	1000PF 50V 1% CHIP CAP	I 2
C73	133187-1	CAP,220PF 500V 10% CER DISK TR	N 7
C74	A11427-103K2	.01 UF 50V 10% X7R MLC 0805	C 1
C75	126539-1	10UF 16V 5.5MM HIGH SMD	K 1
C76	C 4477-3	470 UF 35V VERT	I 11
C77	139705-1	CAP, 0.33UF 50V 5% X7R 1206	B 3
C78	135505-1	CAP, 0.1UF 25V 10% X7R 0603	A 1
C79	135505-1	CAP, 0.1UF 25V 10% X7R 0603	B 3
C80	139719-1	CAP, 1.0UF 25V X7R 10% 0805	C 9
C81	139719-1	CAP, 1.0UF 25V X7R 10% 0805	C 9
C82	A11369-471F2	470.PF 50V 1% NPO MLC 0805	C 9
C83	138882-1	CAP, 160VDC 1.0UF POLYPROP	E 10
C84	138882-1	CAP, 160VDC 1.0UF POLYPROP	E 9
C85	139705-1	CAP, 0.33UF 50V 5% X7R 1206	K 8
C86	138882-1	CAP, 160VDC 1.0UF POLYPROP	E 9
C87	138882-1	CAP, 160VDC 1.0UF POLYPROP	E 10
C88	A11427-104K2	.1UF 50V CHIP CAP 10% 0805 X7R	D 1
C89	138882-1	CAP, 160VDC 1.0UF POLYPROP	E 8
C90	102438-220J2	22PF 200V 5% NPO 0805 T/R	A 11
C91	102438-220J2	22PF 200V 5% NPO 0805 T/R	A 11
C92	138882-1	CAP, 160VDC 1.0UF POLYPROP	E 8
C93	102438-101J2	100PF 200V 5% NPO 0805 T/R	B 10
C94	102438-101J2	100PF 200V 5% NPO 0805 T/R	K 10
C95	139719-1	CAP, 1.0UF 25V X7R 10% 0805	K 10
C96	A11369-102F2	1000PF 50V 1% CHIP CAP	I 2
C97	139719-1	CAP, 1.0UF 25V X7R 10% 0805	K 10
C98	A11369-102F2	1000PF 50V 1% CHIP CAP	F 3
C99	A11369-471F2	470.PF 50V 1% NPO MLC 0805	K 10
C100	139719-1	CAP, 1.0UF 25V X7R 10% 0805	J 9
C101	139719-1	CAP, 1.0UF 25V X7R 10% 0805	J 9
C102	126539-1	10UF 16V 5.5MM HIGH SMD	E 2
C103	A11369-471J2	CAP, 470PF 5% 50V SMT 0805	G 3
C104	C 9157-6	100UF 16V 20% NP ELEC RAD T/R	C 2
C105	103429-472K5	.0047UF 250V 10% X7R 1206 T/R	D 3
C106	102438-470J2	47PF 200V 5% NPO 0805	G 3
C107	102438-100J2	10PF 200V 5% NPO 0805	C 3
C108	102438-101J2	100PF 200V 5% NPO 0805 T/R	C 3
C109	139719-1	CAP, 1.0UF 25V X7R 10% 0805	D 3
C110		OPEN	D 3
C111	A10434-104JD	.1UF 250V 5% MTL POLY FILM T/A	C 3
C112	A10434-104JD	.1UF 250V 5% MTL POLY FILM T/A	E 3
C113	139705-1	CAP, 0.33UF 50V 5% X7R 1206	G 3
C114	103429-472K5	.0047UF 250V 10% X7R 1206 T/R	D 5
C115	126623-1	47UF 16V 6.3X5.5MM 20% SMT	A 6

139086-14 REV. A		PWA, XT12000	600029
C116	126623-1	47UF 16V 6.3X5.5MM 20% SMT	A 5
C117	A11427-103K2	.01 UF 50V 10% X7R MLC 0805	B 6
C118	A11427-103K2	.01 UF 50V 10% X7R MLC 0805	C 5
C119	126539-1	10UF 16V 5.5MM HIGH SMD	C 2
C120	126539-1	10UF 16V 5.5MM HIGH SMD	C 3
C121	126539-1	10UF 16V 5.5MM HIGH SMD	B 2
C122	A10434-473JD	.047UF 250VDC 5% MET POLY T/A	B 9
C123	135505-1	CAP, 0.1UF 25V 10% X7R 0603	B 3
C124	C 9157-6	100UF 16V 20% NP ELEC RAD T/R	G 3
C125	A11369-680J2	CAP, 68PF 5% 50V SMT 0805	D 8
C126	A11369-680J2	CAP, 68PF 5% 50V SMT 0805	B 8
C127	A11369-122J2	0.0012UF 50V 5% NPO MLC 0805	C 8
C128	A11369-122J2	0.0012UF 50V 5% NPO MLC 0805	A 8
C129	135505-1	CAP, 0.1UF 25V 10% X7R 0603	H 3
C130	A11369-122J2	0.0012UF 50V 5% NPO MLC 0805	B 2
C131	A11369-152J2	1500PF 50V 5% NPO MLC 0805 T/R	B 2
C132	135505-1	CAP, 0.1UF 25V 10% X7R 0603	H 3
C133	102438-470J2	47PF 200V 5% NPO 0805	C 3
C134	A10434-472JD	.0047UF 250VDC 5% MET POLY T/A	M 11
C135	135505-1	CAP, 0.1UF 25V 10% X7R 0603	D 6
C136	135505-1	CAP, 0.1UF 25V 10% X7R 0603	J 6
C137	135505-1	CAP, 0.1UF 25V 10% X7R 0603	G 3
C138	135505-1	CAP, 0.1UF 25V 10% X7R 0603	F 3
C139	126539-1	10UF 16V 5.5MM HIGH SMD	L 2
C140	A11369-471J2	CAP, 470PF 5% 50V SMT 0805	I 2
C141	C 9157-6	100UF 16V 20% NP ELEC RAD T/R	J 2
C142	A11369-102F2	1000PF 50V 1% CHIP CAP	F 3
C143	102438-470J2	47PF 200V 5% NPO 0805	F 3
C144	103429-472K5	.0047UF 250V 10% X7R 1206 T/R	J 3
C145	102438-470J2	47PF 200V 5% NPO 0805	I 2
C146	102438-100J2	10PF 200V 5% NPO 0805	I 3
C147	102438-101J2	100PF 200V 5% NPO 0805 T/R	I 3
C148	139719-1	CAP, 1.0UF 25V X7R 10% 0805	J 3
C149		OPEN	K 3
C150	A10434-104JD	.1UF 250V 5% MTL POLY FILM T/A	K 3
C151	A10434-104JD	.1UF 250V 5% MTL POLY FILM T/A	I 3
C152	139705-1	CAP, 0.33UF 50V 5% X7R 1206	G 3
C153	103429-472K5	.0047UF 250V 10% X7R 1206 T/R	J 5
C154	126623-1	47UF 16V 6.3X5.5MM 20% SMT	G 6
C155	126623-1	47UF 16V 6.3X5.5MM 20% SMT	G 5
C156	A11427-103K2	.01 UF 50V 10% X7R MLC 0805	I 6
C157	A11427-103K2	.01 UF 50V 10% X7R MLC 0805	I 5
C158	126539-1	10UF 16V 5.5MM HIGH SMD	L 3
C159	126539-1	10UF 16V 5.5MM HIGH SMD	L 3
C160	126539-1	10UF 16V 5.5MM HIGH SMD	L 2
C161	A10434-473JD	.047UF 250VDC 5% MET POLY T/A	K 8
C162	135505-1	CAP, 0.1UF 25V 10% X7R 0603	M 2
C163	C 9157-6	100UF 16V 20% NP ELEC RAD T/R	J 2
C164	A11369-680J2	CAP, 68PF 5% 50V SMT 0805	M 8
C165	A11369-680J2	CAP, 68PF 5% 50V SMT 0805	J 8
C166	A11369-122J2	0.0012UF 50V 5% NPO MLC 0805	L 8
C167	A11369-122J2	0.0012UF 50V 5% NPO MLC 0805	J 8
C168	135505-1	CAP, 0.1UF 25V 10% X7R 0603	H 3
C169	A11369-122J2	0.0012UF 50V 5% NPO MLC 0805	L 2
C170	A11369-152J2	1500PF 50V 5% NPO MLC 0805 T/R	L 2
C171	102438-470J2	47PF 200V 5% NPO 0805	I 3
C172	A10434-472JD	.0047UF 250VDC 5% MET POLY T/A	N 11
C173	A11369-471F2	470.PF 50V 1% NPO MLC 0805	B 10
C174	A11369-102F2	1000PF 50V 1% CHIP CAP	B 10

139086-14 REV. A		PWA, XTi2000	600029
C175	102438-470J2	47PF 200V 5% NPO 0805	I 2
C176	135505-1	CAP, 0.1UF 25V 10% X7R 0603	M 5
C177	A11369-471F2	470.PF 50V 1% NPO MLC 0805	J 9
C178	138882-1	CAP, 160VDC 1.0UF POLYPROP	I 10
C179	135505-1	CAP, 0.1UF 25V 10% X7R 0603	N 7
C180	135505-1	CAP, 0.1UF 25V 10% X7R 0603	K 1
C181	135505-1	CAP, 0.1UF 25V 10% X7R 0603	K 1
C182	135505-1	CAP, 0.1UF 25V 10% X7R 0603	K 2
C183	131015-1	220UF 35V 20% RAD ELECT T/A	L 9
C184	138882-1	CAP, 160VDC 1.0UF POLYPROP	I 8
C185	135505-1	CAP, 0.1UF 25V 10% X7R 0603	H 3
C186	135505-1	CAP, 0.1UF 25V 10% X7R 0603	N 2
C187	135505-1	CAP, 0.1UF 25V 10% X7R 0603	N 1
C188	135505-1	CAP, 0.1UF 25V 10% X7R 0603	O 2
C189	135505-1	CAP, 0.1UF 25V 10% X7R 0603	N 2
C190	139719-1	CAP, 1.0UF 25V X7R 10% 0805	G 9
C191	A11369-471F2	470.PF 50V 1% NPO MLC 0805	C 9
C192	139719-1	CAP, 1.0UF 25V X7R 10% 0805	G 10
C193	138882-1	CAP, 160VDC 1.0UF POLYPROP	I 9
C194	135505-1	CAP, 0.1UF 25V 10% X7R 0603	P 1
C195	135505-1	CAP, 0.1UF 25V 10% X7R 0603	O 1
C196	131015-1	220UF 35V 20% RAD ELECT T/A	P 1
C197	135505-1	CAP, 0.1UF 25V 10% X7R 0603	K 1
C198	135505-1	CAP, 0.1UF 25V 10% X7R 0603	K 2
C199	135505-1	CAP, 0.1UF 25V 10% X7R 0603	I 2
C200	135505-1	CAP, 0.1UF 25V 10% X7R 0603	I 2
C201	135505-1	CAP, 0.1UF 25V 10% X7R 0603	N 1
C202	138882-1	CAP, 160VDC 1.0UF POLYPROP	I 10
C203	135505-1	CAP, 0.1UF 25V 10% X7R 0603	E 3
C204	138882-1	CAP, 160VDC 1.0UF POLYPROP	I 9
C205	135505-1	CAP, 0.1UF 25V 10% X7R 0603	K 3
C206	135505-1	CAP, 0.1UF 25V 10% X7R 0603	P 1
C207	138882-1	CAP, 160VDC 1.0UF POLYPROP	I 8
C208	102438-101J2	100PF 200V 5% NPO 0805 T/R	J 9
C209	102438-101J2	100PF 200V 5% NPO 0805 T/R	C 9
C210	139719-1	CAP, 1.0UF 25V X7R 10% 0805	G 9
C211	A11369-102F2	1000PF 50V 1% CHIP CAP	C 9
C212	139719-1	CAP, 1.0UF 25V X7R 10% 0805	G 10
C213	139719-1	CAP, 1.0UF 25V X7R 10% 0805	L 10
C214	139719-1	CAP, 1.0UF 25V X7R 10% 0805	C 10
C215	A11427-104K2	.1UF 50V CHIP CAP 10% 0805 X7R	Q 2
C216	A11427-104K2	.1UF 50V CHIP CAP 10% 0805 X7R	Q 2
C217	A11427-104K2	.1UF 50V CHIP CAP 10% 0805 X7R	M 8
C218	135505-1	CAP, 0.1UF 25V 10% X7R 0603	P 1
C219	A10434-104JD	.1UF 250V 5% MTL POLY FILM T/A	N 8
C220	A10434-104JD	.1UF 250V 5% MTL POLY FILM T/A	O 10
C221	135505-1	CAP, 0.1UF 25V 10% X7R 0603	L 3
C222	135505-1	CAP, 0.1UF 25V 10% X7R 0603	B 3
C223	A11369-100J1	CAP, 10PF 5% 50V NPO 0603	C 10
C224	137455-1	CAP, 4700 PF 10% FILM Y2	O 3
C225	A11369-100J1	CAP, 10PF 5% 50V NPO 0603	D 9
C226	137455-1	CAP, 4700 PF 10% FILM Y2	O 4
C227	135505-1	CAP, 0.1UF 25V 10% X7R 0603	B 11
C228	102438-150J2	CAP, 15PF 5% 200V NPO 0805	D 2
C229	139719-1	CAP, 1.0UF 25V X7R 10% 0805	D 9
C230	139719-1	CAP, 1.0UF 25V X7R 10% 0805	D 9
C231	A11369-100J1	CAP, 10PF 5% 50V NPO 0603	L 10
C232	A10434-472JD	.0047UF 250VDC 5% MET POLY T/A	M 11
C233	139719-1	CAP, 1.0UF 25V X7R 10% 0805	K 9

139086-14 REV. A		PWA, XTI2000	600029
C234	139719-1	CAP, 1.0UF 25V X7R 10% 0805	K 9
C235		OPEN	C 10
C236		OPEN	C 9
C237	A11369-100J1	CAP, 10PF 5% 50V NPO 0603	K 9
C238	A10434-472JD	.0047UF 250VDC 5% MET POLY T/A	M 11
C239	A10434-472JD	.0047UF 250VDC 5% MET POLY T/A	M 11
C240	102438-150J2	CAP, 15PF 5% 200V NPO 0805	D 3
C241	A11369-471F2	470.PF 50V 1% NPO MLC 0805	L 10
C242		OPEN	L 10
C243	139719-1	CAP, 1.0UF 25V X7R 10% 0805	L 10
C244	139719-1	CAP, 1.0UF 25V X7R 10% 0805	C 10
C245	A11369-102F2	1000PF 50V 1% CHIP CAP	L 10
C246		OPEN	D 8
C247	A11369-471F2	470.PF 50V 1% NPO MLC 0805	K 9
C248		OPEN	K 9
C249	A11369-102F2	1000PF 50V 1% CHIP CAP	J 9
C250	A11369-100J1	CAP, 10PF 5% 50V NPO 0603	L 10
C251		OPEN	A 8
C252	A11369-100J1	CAP, 10PF 5% 50V NPO 0603	C 10
C253		OPEN	M 8
C254		OPEN	J 8
C255	102438-221F2	220PF 200V 1% NPO 0805	B 10
C256	102438-221F2	220PF 200V 1% NPO 0805	C 9
C257	102438-221F2	220PF 200V 1% NPO 0805	K 10
C258	102438-221F2	220PF 200V 1% NPO 0805	K 9
C259		OPEN	G 11
C260		OPEN	G 11
C261	A11427-104K2	.1UF 50V CHIP CAP 10% 0805 X7R	H 1
C262	131015-1	220UF 35V 20% RAD ELECT T/A	A 2
C263	131015-1	220UF 35V 20% RAD ELECT T/A	A 2
C264	A11427-104K2	.1UF 50V CHIP CAP 10% 0805 X7R	P 1
C265	A10434-473JD	.047UF 250VDC 5% MET POLY T/A	F 8
C266	A10434-473JD	.047UF 250VDC 5% MET POLY T/A	F 9
C267	A10434-473JD	.047UF 250VDC 5% MET POLY T/A	H 8
C268	A10434-473JD	.047UF 250VDC 5% MET POLY T/A	H 9
C269	138196-1	CAP, 10UF X7R 10% 25V 1210 T/R	G 8
C270	138196-1	CAP, 10UF X7R 10% 25V 1210 T/R	G 8
C271	A10434-473JD	.047UF 250VDC 5% MET POLY T/A	M 8
C272	138196-1	CAP, 10UF X7R 10% 25V 1210 T/R	G 8
C273	A10434-473JD	.047UF 250VDC 5% MET POLY T/A	L 8
C274	138196-1	CAP, 10UF X7R 10% 25V 1210 T/R	G 8
C275	131015-1	220UF 35V 20% RAD ELECT T/A	F 8
C276	135505-1	CAP, 0.1UF 25V 10% X7R 0603	H 3
C277	102438-470J2	47PF 200V 5% NPO 0805	C 10
C278	102438-470J2	47PF 200V 5% NPO 0805	D 9
C279	102438-470J2	47PF 200V 5% NPO 0805	L 10
C280	102438-470J2	47PF 200V 5% NPO 0805	K 9
C281	135505-1	CAP, 0.1UF 25V 10% X7R 0603	H 3
C282	A11369-122J2	0.0012UF 50V 5% NPO MLC 0805	B 6
C283	A11369-122J2	0.0012UF 50V 5% NPO MLC 0805	B 5
C284	A11369-122J2	0.0012UF 50V 5% NPO MLC 0805	H 6
C285	A11369-122J2	0.0012UF 50V 5% NPO MLC 0805	H 5
C286	A10434-104JD	.1UF 250V 5% MTL POLY FILM T/A	N 11
C287	134791-1	CAP, 470 PF 500V N1500 DISC	Q 5
C288	A10434-104JD	.1UF 250V 5% MTL POLY FILM T/A	O 2
C289	A10434-104JD	.1UF 250V 5% MTL POLY FILM T/A	N 5
C291	102438-150J2	CAP, 15PF 5% 200V NPO 0805	J 2
C292	102438-150J2	CAP, 15PF 5% 200V NPO 0805	J 3
C293		OPEN	K 12

139086-14 REV. A		PWA, XT12000	600029
C294	A10434-472JD	.0047UF 250VDC 5% MET POLY T/A	N 11
C295	A10434-472JD	.0047UF 250VDC 5% MET POLY T/A	N 11
C296	A10434-472JD	.0047UF 250VDC 5% MET POLY T/A	N 11
C297	135505-1	CAP, 0.1UF 25V 10% X7R 0603	M 3
C298	135505-1	CAP, 0.1UF 25V 10% X7R 0603	N 1
C300	A11427-103K2	.01 UF 50V 10% X7R MLC 0805	A 6
C301	A11427-103K2	.01 UF 50V 10% X7R MLC 0805	A 5
C302	A11427-103K2	.01 UF 50V 10% X7R MLC 0805	G 6
C303	A11427-103K2	.01 UF 50V 10% X7R MLC 0805	G 5
C304	135505-1	CAP, 0.1UF 25V 10% X7R 0603	A 11
C305	A11369-471J2	CAP, 470PF 5% 50V SMT 0805	H 2
C306	A11369-471J2	CAP, 470PF 5% 50V SMT 0805	H 2
C307		OPEN	J 12
C308		OPEN	J 11
C309		OPEN	J 11
C310		OPEN	L 11
C311		OPEN	K 12
C312		OPEN	K 12
C313		OPEN	L 11
C314	A11369-471J2	CAP, 470PF 5% 50V SMT 0805	G 1
C315	A11369-471J2	CAP, 470PF 5% 50V SMT 0805	G 1
C317		OPEN	F 12
C318		OPEN	G 12
C319		OPEN	F 12
C320		OPEN	F 12
C321		OPEN	H 11
C322		OPEN	H 11
C323	135505-1	CAP, 0.1UF 25V 10% X7R 0603	D 1
C810	A11427-104K2	.1UF 50V CHIP CAP 10% 0805 X7R	J 1
C811	131015-1	220UF 35V 20% RAD ELECT T/A	J 1
C812	A11427-104K2	.1UF 50V CHIP CAP 10% 0805 X7R	J 1
C814	135505-1	CAP, 0.1UF 25V 10% X7R 0603	I 1
C815	C 4477-3	470 UF 35V VERT	I 1
C816	135505-1	CAP, 0.1UF 25V 10% X7R 0603	J 2
C817	A11427-104K2	.1UF 50V CHIP CAP 10% 0805 X7R	J 2
C818	A11369-102F2	1000PF 50V 1% CHIP CAP	J 1
C819	135505-1	CAP, 0.1UF 25V 10% X7R 0603	K 2
C900	125434-1	CAP,.068UF 400V FILM POLYESTER	M 2
C901	125434-1	CAP,.068UF 400V FILM POLYESTER	M 1
C920	135505-1	CAP, 0.1UF 25V 10% X7R 0603	F 1
C921	102438-221F2	220PF 200V 1% NPO 0805	F 1
C922	135505-1	CAP, 0.1UF 25V 10% X7R 0603	F 1
C923	A11369-102F2	1000PF 50V 1% CHIP CAP	F 1
C924	A11369-102F2	1000PF 50V 1% CHIP CAP	F 1
C925	A11369-100J1	CAP, 10PF 5% 50V NPO 0603	F 1
C926	102438-220J2	22PF 200V 5% NPO 0805 T/R	F 1
C938	135505-1	CAP, 0.1UF 25V 10% X7R 0603	H 2
C950	102438-221F2	220PF 200V 1% NPO 0805	G 2
C958	135505-1	CAP, 0.1UF 25V 10% X7R 0603	G 2
C959	135505-1	CAP, 0.1UF 25V 10% X7R 0603	G 2
C960	126539-1	10UF 16V 5.5MM HIGH SMD	H 2
C961	135505-1	CAP, 0.1UF 25V 10% X7R 0603	G 2
C962	126539-1	10UF 16V 5.5MM HIGH SMD	F 2
C963	135505-1	CAP, 0.1UF 25V 10% X7R 0603	G 1
C964	135505-1	CAP, 0.1UF 25V 10% X7R 0603	G 1
C965	135505-1	CAP, 0.1UF 25V 10% X7R 0603	G 2
C966	135505-1	CAP, 0.1UF 25V 10% X7R 0603	G 2
C967	135505-1	CAP, 0.1UF 25V 10% X7R 0603	G 2
C968	135505-1	CAP, 0.1UF 25V 10% X7R 0603	G 2

139086-14 REV. A		PWA, XT12000	600029
C969	135505-1	CAP, 0.1UF 25V 10% X7R 0603	G 2
C970	135505-1	CAP, 0.1UF 25V 10% X7R 0603	G 2
C975	135505-1	CAP, 0.1UF 25V 10% X7R 0603	F 2
C976	139719-1	CAP, 1.0UF 25V X7R 10% 0805	F 2
C977	135505-1	CAP, 0.1UF 25V 10% X7R 0603	F 2
C978	139719-1	CAP, 1.0UF 25V X7R 10% 0805	F 2
C983	135505-1	CAP, 0.1UF 25V 10% X7R 0603	F 2
C984	126623-1	47UF 16V 6.3X5.5MM 20% SMT	F 2
C987	135505-1	CAP, 0.1UF 25V 10% X7R 0603	G 1
C992	135505-1	CAP, 0.1UF 25V 10% X7R 0603	I 1
C993	135505-1	CAP, 0.1UF 25V 10% X7R 0603	H 2
C994	135505-1	CAP, 0.1UF 25V 10% X7R 0603	H 2
C995	135505-1	CAP, 0.1UF 25V 10% X7R 0603	I 1
C996	135505-1	CAP, 0.1UF 25V 10% X7R 0603	I 1
D1	139727-1	DIODE, ZENER 500MW 13V SOD123	M 9
D2	125255-1	DIODE, ULTRAFAST 200V 1A SMA	M 8
D3	135343-1	DIODE, DUAL MMBD4148SE SOT-23	C 2
D4	135343-1	DIODE, DUAL MMBD4148SE SOT-23	I 2
D5	125255-1	DIODE, ULTRAFAST 200V 1A SMA	M 8
D6	131648-1	DIODE, ZENER 500MW 16V SOD 123	G 8
D7	C 9773-0	DIODE, ZENER 5.1V 1N5231 SMT	Q 2
D8	C 9283-0	DIODE, MMBD4148/914 SOT-23 SMT	Q 4
D9	C 9773-0	DIODE, ZENER 5.1V 1N5231 SMT	Q 1
D10	C 9283-0	DIODE, MMBD4148/914 SOT-23 SMT	Q 4
D11	C 9283-0	DIODE, MMBD4148/914 SOT-23 SMT	N 7
D12	136292-1	DIODE, EMCON 600V 30A TO220	N 7
D13		OPEN	N 7
D14	136292-1	DIODE, EMCON 600V 30A TO220	N 8
D15		OPEN	N 8
D16	136292-1	DIODE, EMCON 600V 30A TO220	N 8
D17		OPEN	N 8
D18	136292-1	DIODE, EMCON 600V 30A TO220	N 9
D19		OPEN	N 9
D20	136292-1	DIODE, EMCON 600V 30A TO220	N 5
D21	136292-1	DIODE, EMCON 600V 30A TO220	N 6
D22	136292-1	DIODE, EMCON 600V 30A TO220	N 6
D23	136292-1	DIODE, EMCON 600V 30A TO220	N 7
D24	139544-1	PRP, 125427-1 (RBV5006) .420	N 3
D25	C 9773-0	DIODE, ZENER 5.1V 1N5231 SMT	P 1
D26	132040-1	DIODE, 100V 3A SMC	P 3
D27	C 9283-0	DIODE, MMBD4148/914 SOT-23 SMT	P 1
D28	131648-1	DIODE, ZENER 500MW 16V SOD 123	P 1
D29	131648-1	DIODE, ZENER 500MW 16V SOD 123	P 1
D30	138997-1	DIODE, 600V 1A SMA	N 2
D31	131648-1	DIODE, ZENER 500MW 16V SOD 123	P 1
D32	125255-1	DIODE, ULTRAFAST 200V 1A SMA	G 8
D33	126549-1	DIODE,30V 200MA SCHOTTKY SOT23	B 10
D34	126549-1	DIODE,30V 200MA SCHOTTKY SOT23	C 9
D35	140328-1	PRP; 133708-1 (R3060P2) .360	F 9
D36	140328-1	PRP; 133708-1 (R3060P2) .360	F 9
D37	126549-1	DIODE,30V 200MA SCHOTTKY SOT23	K 10
D38	126549-1	DIODE,30V 200MA SCHOTTKY SOT23	J 9
D39	125255-1	DIODE, ULTRAFAST 200V 1A SMA	G 8
D40		OPEN	N 1
D41	125255-1	DIODE, ULTRAFAST 200V 1A SMA	M 8
D42	140328-1	PRP; 133708-1 (R3060P2) .360	H 9
D43	140328-1	PRP; 133708-1 (R3060P2) .360	H 9
D44	125255-1	DIODE, ULTRAFAST 200V 1A SMA	M 8
D45	131648-1	DIODE, ZENER 500MW 16V SOD 123	G 8

139086-14 REV. A		PWA, XT12000	600029
D46	126549-1	DIODE,30V 200MA SCHOTTKY SOT23	Q 3
D47	C10370-2	DIODE, ZENER 10V MMBZ5240BL	Q 2
D48	C10370-2	DIODE, ZENER 10V MMBZ5240BL	Q 2
D49	125255-1	DIODE, ULTRAFast 200V 1A SMA	M 9
D50	136010-1	DIODE, ZENER 500MW 12V SOD 123	C 10
D52	136010-1	DIODE, ZENER 500MW 12V SOD 123	D 9
D54	132040-1	DIODE, 100V 3A SMC	A 2
D55	132040-1	DIODE, 100V 3A SMC	B 3
D56	C 9773-0	DIODE, ZENER 5.1V 1N5231 SMT	H 3
D57	C 9773-0	DIODE, ZENER 5.1V 1N5231 SMT	H 3
D58	C 9773-0	DIODE, ZENER 5.1V 1N5231 SMT	H 2
D59	C 9773-0	DIODE, ZENER 5.1V 1N5231 SMT	H 2
D60	125341-1	DIODE, DUAL SERIES MMBD7000L	C 10
D62	125341-1	DIODE, DUAL SERIES MMBD7000L	D 9
D64	125341-1	DIODE, DUAL SERIES MMBD7000L	L 10
D66	125341-1	DIODE, DUAL SERIES MMBD7000L	K 9
D68	135343-1	DIODE, DUAL MMBD4148SE SOT-23	P 1
D69	136010-1	DIODE, ZENER 500MW 12V SOD 123	L 10
D71	136010-1	DIODE, ZENER 500MW 12V SOD 123	K 9
D73	136010-1	DIODE, ZENER 500MW 12V SOD 123	B 10
D74	136010-1	DIODE, ZENER 500MW 12V SOD 123	C 9
D75	136010-1	DIODE, ZENER 500MW 12V SOD 123	L 10
D76	136010-1	DIODE, ZENER 500MW 12V SOD 123	K 9
D77	131648-1	DIODE, ZENER 500MW 16V SOD 123	G 9
D78	131648-1	DIODE, ZENER 500MW 16V SOD 123	G 9
D79	131648-1	DIODE, ZENER 500MW 16V SOD 123	G 9
D80	131648-1	DIODE, ZENER 500MW 16V SOD 123	G 9
D100	C 9283-0	DIODE, MMBD4148/914 SOT-23 SMT	F 3
D101	135343-1	DIODE, DUAL MMBD4148SE SOT-23	E 3
D102	135343-1	DIODE, DUAL MMBD4148SE SOT-23	D 2
D103	135343-1	DIODE, DUAL MMBD4148SE SOT-23	D 2
D108	C 9283-0	DIODE, MMBD4148/914 SOT-23 SMT	C 8
D109	C 9283-0	DIODE, MMBD4148/914 SOT-23 SMT	B 8
D110	125620-1	DIODE, FAST RECOVERY 400V 1A	C 8
D111	125620-1	DIODE, FAST RECOVERY 400V 1A	B 8
D112		OPEN	D 8
D113		OPEN	A 8
D114	137615-1	DIODE, 8A 400V SMC	C 8
D115	137615-1	DIODE, 8A 400V SMC	B 8
D116	C 9283-0	DIODE, MMBD4148/914 SOT-23 SMT	H 3
D117	135343-1	DIODE, DUAL MMBD4148SE SOT-23	D 2
D118	135343-1	DIODE, DUAL MMBD4148SE SOT-23	D 2
D119	135343-1	DIODE, DUAL MMBD4148SE SOT-23	D 1
D120		OPEN	E 8
D121		OPEN	E 3
D122	135343-1	DIODE, DUAL MMBD4148SE SOT-23	K 2
D123		OPEN	C 8
D124	135343-1	DIODE, DUAL MMBD4148SE SOT-23	K 2
D125		OPEN	B 8
D126	C 9283-0	DIODE, MMBD4148/914 SOT-23 SMT	D 2
D127	C 9283-0	DIODE, MMBD4148/914 SOT-23 SMT	E 3
D128	135343-1	DIODE, DUAL MMBD4148SE SOT-23	E 1
D129	135343-1	DIODE, DUAL MMBD4148SE SOT-23	B 2
D130	C 9283-0	DIODE, MMBD4148/914 SOT-23 SMT	L 3
D131	135343-1	DIODE, DUAL MMBD4148SE SOT-23	L 3
D134	135343-1	DIODE, DUAL MMBD4148SE SOT-23	E 2
D135	135343-1	DIODE, DUAL MMBD4148SE SOT-23	K 2
D136	135343-1	DIODE, DUAL MMBD4148SE SOT-23	C 2
D137	135343-1	DIODE, DUAL MMBD4148SE SOT-23	C 2

139086-14 REV. A		PWA, XTI2000	600029
D138	C 9283-0	DIODE, MMBD4148/914 SOT-23 SMT	L 8
D139	C 9283-0	DIODE, MMBD4148/914 SOT-23 SMT	K 8
D140	125620-1	DIODE, FAST RECOVERY 400V 1A	L 8
D141	125620-1	DIODE, FAST RECOVERY 400V 1A	K 8
D142		OPEN	M 8
D143		OPEN	J 8
D144	137615-1	DIODE, 8A 400V SMC	L 8
D145	137615-1	DIODE, 8A 400V SMC	K 8
D146	C 9283-0	DIODE, MMBD4148/914 SOT-23 SMT	H 3
D147	135343-1	DIODE, DUAL MMBD4148SE SOT-23	K 2
D148	135343-1	DIODE, DUAL MMBD4148SE SOT-23	K 2
D149	135343-1	DIODE, DUAL MMBD4148SE SOT-23	E 3
D150		OPEN	L 8
D151		OPEN	L 3
D153		OPEN	L 8
D155		OPEN	K 8
D156	C 9283-0	DIODE, MMBD4148/914 SOT-23 SMT	K 2
D157	C 9283-0	DIODE, MMBD4148/914 SOT-23 SMT	L 3
D158		OPEN	L 8
D159	135343-1	DIODE, DUAL MMBD4148SE SOT-23	L 2
D160		OPEN	K 3
D161		OPEN	E 8
D162		OPEN	E 3
D163		OPEN	D 8
D164		OPEN	A 8
D165		OPEN	M 8
D166		OPEN	J 8
D167	135343-1	DIODE, DUAL MMBD4148SE SOT-23	H 3
D168	135343-1	DIODE, DUAL MMBD4148SE SOT-23	H 3
D169	135343-1	DIODE, DUAL MMBD4148SE SOT-23	H 2
D170	135343-1	DIODE, DUAL MMBD4148SE SOT-23	H 3
D171	135343-1	DIODE, DUAL MMBD4148SE SOT-23	I 2
D172	135343-1	DIODE, DUAL MMBD4148SE SOT-23	I 2
D173	135343-1	DIODE, DUAL MMBD4148SE SOT-23	K 3
D174	C 9283-0	DIODE, MMBD4148/914 SOT-23 SMT	D 3
D175	C 9283-0	DIODE, MMBD4148/914 SOT-23 SMT	J 3
D176	137615-1	DIODE, 8A 400V SMC	F 8
D177	137615-1	DIODE, 8A 400V SMC	F 10
D178	137615-1	DIODE, 8A 400V SMC	H 8
D179	137615-1	DIODE, 8A 400V SMC	H 10
D180	C10067-4	DIODE, 1A 100V SILICON SMT T/R	D 5
D181	C10067-4	DIODE, 1A 100V SILICON SMT T/R	D 5
D182	C10067-4	DIODE, 1A 100V SILICON SMT T/R	D 5
D183	126621-1	DIODE, 180V 3W SMB ZENER	D 8
D184	126621-1	DIODE, 180V 3W SMB ZENER	A 8
D185	126621-1	DIODE, 180V 3W SMB ZENER	L 8
D186	126621-1	DIODE, 180V 3W SMB ZENER	J 8
D187	C10067-4	DIODE, 1A 100V SILICON SMT T/R	J 5
D188	C10067-4	DIODE, 1A 100V SILICON SMT T/R	J 5
D189	C10067-4	DIODE, 1A 100V SILICON SMT T/R	J 5
D190	C10067-4	DIODE, 1A 100V SILICON SMT T/R	J 5
D191	C10067-4	DIODE, 1A 100V SILICON SMT T/R	C 5
D801	125593-1	DIODE, SCHOTTKY 40V 1A SMA	J 1
E1	126473-1	LED, GRN SMT 1206	H 1
F1	A10285-28	FUSE, 20A 3AB LITL FUSE #314020	Q 10
F1X	C 8908-3	CLIP, DUAL FUSE PC MOUNT	Q 10
F1XX	C 8908-3	CLIP, DUAL FUSE PC MOUNT	Q 10
FB1	125846-1	FERRITE BEAD, 600 OHM .5A 0805	F 1
FB2	125846-1	FERRITE BEAD, 600 OHM .5A 0805	F 1

139086-14 REV. A		PWA, XT12000	600029
FB3	125846-1	FERRITE BEAD, 600 OHM .5A 0805	G 2
FB4	125846-1	FERRITE BEAD, 600 OHM .5A 0805	G 2
FB6	125846-1	FERRITE BEAD, 600 OHM .5A 0805	H 1
FB7	125846-1	FERRITE BEAD, 600 OHM .5A 0805	I 1
HS1	139135-3	HEATSINK, CEQUEL BASE	D 7
HS1B	139134-1	FINS, CEQUEL	E 7
HS1C	102659-1	NPN, TO-3 MJ21194 PWR	F 7
HS1D	102719-1	6-32X.312 TORX PAN HD TFS	F 6
HS1E	102719-1	6-32X.312 TORX PAN HD TFS	F 7
HS1F	102659-1	NPN, TO-3 MJ21194 PWR	E 7
HS1G	102719-1	6-32X.312 TORX PAN HD TFS	D 6
HS1H	102719-1	6-32X.312 TORX PAN HD TFS	E 7
HS1I	102659-1	NPN, TO-3 MJ21194 PWR	C 7
HS1J	102719-1	6-32X.312 TORX PAN HD TFS	B 6
HS1K	102719-1	6-32X.312 TORX PAN HD TFS	C 7
HS1L	102659-1	NPN, TO-3 MJ21194 PWR	B 7
HS1M	102719-1	6-32X.312 TORX PAN HD TFS	A 6
HS1N	102719-1	6-32X.312 TORX PAN HD TFS	B 7
HS1O	139134-1	FINS, CEQUEL	B 7
HS2	139299-3	HEATSINK, CEQUEL BASE FRONT	D 4
HS2B	139134-1	FINS, CEQUEL	E 4
HS2C	139739-1	XSISTOR, PNP MJ21193G	F 4
HS2D	102719-1	6-32X.312 TORX PAN HD TFS	F 4
HS2E	102719-1	6-32X.312 TORX PAN HD TFS	F 5
HS2F	139739-1	XSISTOR, PNP MJ21193G	E 4
HS2G	102719-1	6-32X.312 TORX PAN HD TFS	E 4
HS2H	102719-1	6-32X.312 TORX PAN HD TFS	D 5
HS2I	139739-1	XSISTOR, PNP MJ21193G	C 4
HS2J	102719-1	6-32X.312 TORX PAN HD TFS	C 4
HS2K	102719-1	6-32X.312 TORX PAN HD TFS	C 5
HS2L	139739-1	XSISTOR, PNP MJ21193G	B 4
HS2M	102719-1	6-32X.312 TORX PAN HD TFS	B 4
HS2N	102719-1	6-32X.312 TORX PAN HD TFS	A 5
HS2O	139134-1	FINS, CEQUEL	B 4
HS3		OPEN	D 3
HS4		OPEN	D 6
HS5	139135-3	HEATSINK, CEQUEL BASE	J 7
HS5B	139134-1	FINS, CEQUEL	K 7
HS5C	102659-1	NPN, TO-3 MJ21194 PWR	L 7
HS5D	102719-1	6-32X.312 TORX PAN HD TFS	L 6
HS5E	102719-1	6-32X.312 TORX PAN HD TFS	L 7
HS5F	102659-1	NPN, TO-3 MJ21194 PWR	K 7
HS5G	102719-1	6-32X.312 TORX PAN HD TFS	K 6
HS5H	102719-1	6-32X.312 TORX PAN HD TFS	K 7
HS5I	102659-1	NPN, TO-3 MJ21194 PWR	I 7
HS5J	102719-1	6-32X.312 TORX PAN HD TFS	I 6
HS5K	102719-1	6-32X.312 TORX PAN HD TFS	I 7
HS5L	102659-1	NPN, TO-3 MJ21194 PWR	H 7
HS5M	102719-1	6-32X.312 TORX PAN HD TFS	G 6
HS5N	102719-1	6-32X.312 TORX PAN HD TFS	H 7
HS5O	139134-1	FINS, CEQUEL	I 7
HS6	139299-3	HEATSINK, CEQUEL BASE FRONT	J 4
HS6B	139134-1	FINS, CEQUEL	K 4
HS6C	139739-1	XSISTOR, PNP MJ21193G	L 4
HS6D	102719-1	6-32X.312 TORX PAN HD TFS	L 4
HS6E	102719-1	6-32X.312 TORX PAN HD TFS	L 5
HS6F	139739-1	XSISTOR, PNP MJ21193G	K 4
HS6G	102719-1	6-32X.312 TORX PAN HD TFS	K 4
HS6H	102719-1	6-32X.312 TORX PAN HD TFS	K 5

139086-14 REV. A		PWA, XTI2000	600029
HS6I	139739-1	XSISTOR, PNP MJ21193G	I 4
HS6J	102719-1	6-32X.312 TORX PAN HD TFS	I 4
HS6K	102719-1	6-32X.312 TORX PAN HD TFS	I 5
HS6L	139739-1	XSISTOR, PNP MJ21193G	H 4
HS6M	102719-1	6-32X.312 TORX PAN HD TFS	H 4
HS6N	102719-1	6-32X.312 TORX PAN HD TFS	G 5
HS6O	139134-1	FINS, CEQUEL	H 4
HS7		OPEN	J 3
HS8		OPEN	J 6
HS9	139981-1	HEATSINK, TRACKER W/PAD	F 9
HS9A	139981-1	HEATSINK, TRACKER W/PAD	H 9
HS9B	136330-1	CLIP, TO-220	H 10
HS9C	136330-1	CLIP, TO-220	H 9
HS9D	136330-1	CLIP, TO-220	H 9
HS9E	136330-1	CLIP, TO-220	H 8
HS9F	136330-1	CLIP, TO-220	F 8
HS9G	136330-1	CLIP, TO-220	F 9
HS9H	136330-1	CLIP, TO-220	F 9
HS9I	136330-1	CLIP, TO-220	F 10
HS13	139276-2	HEATSINK, CEQUEL POWER SUPPLY	M 3
HS13B	140180-1	CLIP, 2 FINGER TO-220	M 1
HS13C	140180-1	CLIP, 2 FINGER TO-220	M 2
HS13D	140180-1	CLIP, 2 FINGER TO-220	N 3
HS13E	139312-1	INSULATOR, CERAMIC 3.95X.85	M 3
HS13F	139421-3	RETAINER, XTI HEATSINK	M 1
HS13G	139421-3	RETAINER, XTI HEATSINK	M 5
HS14	139948-1	HEATSINK, W/PAD PS ASSY	M 7
HS14B		OPEN	M 7
HS14C	139421-3	RETAINER, XTI HEATSINK	M 5
HS14D	139421-3	RETAINER, XTI HEATSINK	M 9
HS14E	140180-1	CLIP, 2 FINGER TO-220	M 6
HS14F	140180-1	CLIP, 2 FINGER TO-220	M 7
HS14G	140180-1	CLIP, 2 FINGER TO-220	M 8
HS14H	140180-1	CLIP, 2 FINGER TO-220	M 9
HW1	140089-1	SPRING, NEGATIVE CONTACT	A 11
HW3	139901-1	CLIP, XTI HEATSINK	M 7
HW4	139901-1	CLIP, XTI HEATSINK	M 4
HW5	101016-1	LBL, BARCODE	A 10
HW6	139757-1	PRP, 133589-1 CUT IN HALF	M 5
HW7	139360-1	GAPFILLER, THERMALLY CONDUCTIVE	D 6
HW8	139360-1	GAPFILLER, THERMALLY CONDUCTIVE	J 6
HW9	139360-1	GAPFILLER, THERMALLY CONDUCTIVE	M 5
HW10	139360-1	GAPFILLER, THERMALLY CONDUCTIVE	D 7
HW11	139360-1	GAPFILLER, THERMALLY CONDUCTIVE	J 7
HW12		OPEN	D 4
HW13		OPEN	J 4
J1	138976-1	CONN, USB B RA TH	A 12
J2		OPEN	I 1
J3	138323-2	BDG POST, QUAD RA NO-TOUCH	M 12
J4	138319-1	XLR, FEM HORZ PC PLASTIC	C 12
J5	138319-1	XLR, FEM HORZ PC PLASTIC	D 12
J7		OPEN	G 12
J8	102473-1	SPEAKON, 4 POLE PCB HORZ	J 12
J9	102473-1	SPEAKON, 4 POLE PCB HORZ	K 12
J10	139530-1	CONN, 20PIN HEADER 0.1" CTR SHROUDED TH	E 1
J11		OPEN	F 11
J12		OPEN	H 12
J15	101571-1	HDR, 2 POS .1 CTR MTA SHRD	J 11
J20	127064-1	TEST POINT, SMT 1206	N 8

139086-14 REV. A

PWA, XT12000

600029

J21		OPEN	N 9
J22		OPEN	N 11
J23	127064-1	TEST POINT, SMT 1206	N 9
J24	127064-1	TEST POINT, SMT 1206	G 1
J25		OPEN	F 8
J26		OPEN	F 10
J27		OPEN	H 8
J28		OPEN	H 10
J29	127064-1	TEST POINT, SMT 1206	N 8
J30	127064-1	TEST POINT, SMT 1206	N 8
J31	127064-1	TEST POINT, SMT 1206	M 9
J32	127064-1	TEST POINT, SMT 1206	M 9
J33		OPEN	N 9
J34		OPEN	N 11
J35		OPEN	N 9
J36		OPEN	N 11
J37		OPEN	F 8
J38		OPEN	F 10
J39		OPEN	H 8
J40		OPEN	H 10
K1	C10335-5	RELAY 30A 24V T90 SEALED CE	Q 4
K2	C10335-5	RELAY 30A 24V T90 SEALED CE	Q 5
L1	139523-1	CHOKE, CM 20T 5000 PERM	P 10
L2	139523-1	CHOKE, CM 20T 5000 PERM	P 8
L3	138103-1	INDUCTOR, 1.65UH 16AWG VERT	Q 7
L4	139613-1	IND, T157-2 10UH 2X18AWG	E 9
L5	139613-1	IND, T157-2 10UH 2X18AWG	D 10
L6	139613-1	IND, T157-2 10UH 2X18AWG	I 9
L7	139613-1	IND, T157-2 10UH 2X18AWG	J 10
L100	102470-1	INDUCTOR, 2.75UH 11A RADIAL	B 9
L101	102470-1	INDUCTOR, 2.75UH 11A RADIAL	L 9
L801	138946-1	IND, 470UH 0.5A SMT	J 1
P1	138443-1	XLR, MALE HORZ PC PLASTIC	B 12
P2	138443-1	XLR, MALE HORZ PC PLASTIC	E 12
P3		OPEN	B 11
P4	138320-1	IEC, ISA RA PC MNT	Q 12
PWB1	138348-9	PWB, CEQUEL MAIN	Q 12
Q1	139686-1	XSISTOR, MPSW45 50V 1W TO92	M 9
Q2	139686-1	XSISTOR, MPSW45 50V 1W TO92	M 9
Q5	102483-1	PNP 300V 500MA SOT-23	L 1
Q6	137218-1	SCR, 12A MCR12DSN DPAK 369A	L 1
Q7	C 7448-1	MMBT3904 CHIP NPN	N 1
Q8	132242-1	XSISTOR, NPN SOT 23 MMBTA42LT1	Q 2
Q9		OPEN	F 3
Q10		OPEN	F 3
Q13		OPEN	I 2
Q14		OPEN	I 2
Q15	125798-1	XSTR,MMBT3906 LT3 10K REEL	N 1
Q16	139686-1	XSISTOR, MPSW45 50V 1W TO92	Q 3
Q17	125798-1	XSTR,MMBT3906 LT3 10K REEL	Q 2
Q18	C 8103-1	MPSW42 300V 1 WATT NPN T/R	Q 2
Q21	125798-1	XSTR,MMBT3906 LT3 10K REEL	Q 1
Q22	C 8103-1	MPSW42 300V 1 WATT NPN T/R	Q 1
Q23	127169-1	MOSFET, P-CH 50V 150MA SOT-23	I 1
Q24	C 7448-1	MMBT3904 CHIP NPN	J 11
Q25	125798-1	XSTR,MMBT3906 LT3 10K REEL	M 3
Q26	131046-1	TRANSISTOR, KSC3265 NPN SOT-23	N 1
Q27	131047-1	TRANSISTOR, KSA1298 PNP SOT-23	N 1
Q28	139543-1	PRP, 134423-1 (30N60A4D) .420	N 1

XTi2000 BOM 139086-14_A.xls

R04.1CDE-004_(Fm) JAW 10/6/01

CROWN AUDIO, INC. ELKHART, IN.

13 OF 30

139086-14 REV. A		PWA, XT12000	600029
Q29	131046-1	TRANSISTOR, KSC3265 NPN SOT-23	N 2
Q30	131047-1	TRANSISTOR, KSA1298 PNP SOT-23	N 2
Q31	139543-1	PRP, 134423-1 (30N60A4D) .420	N 2
Q32	125798-1	XSTR,MMBT3906 LT3 10K REEL	I 11
Q33	131046-1	TRANSISTOR, KSC3265 NPN SOT-23	G 9
Q34	C 8103-1	MPSW42 300V 1 WATT NPN T/R	G 11
Q35	C 8103-1	MPSW42 300V 1 WATT NPN T/R	G 11
Q36	C 8103-1	MPSW42 300V 1 WATT NPN T/R	H 11
Q37	C 8103-1	MPSW42 300V 1 WATT NPN T/R	H 11
Q38	139686-1	XSISTOR, MPSW45 50V 1W TO92	G 8
Q39	C 8103-1	MPSW42 300V 1 WATT NPN T/R	O 1
Q40	C 8103-1	MPSW42 300V 1 WATT NPN T/R	O 1
Q41	C 8103-1	MPSW42 300V 1 WATT NPN T/R	O 1
Q42	131047-1	TRANSISTOR, KSA1298 PNP SOT-23	G 8
Q43	131046-1	TRANSISTOR, KSC3265 NPN SOT-23	G 10
Q44	131047-1	TRANSISTOR, KSA1298 PNP SOT-23	G 10
Q45	131046-1	TRANSISTOR, KSC3265 NPN SOT-23	G 9
Q46	125798-1	XSTR,MMBT3906 LT3 10K REEL	G 9
Q47	140329-1	PRP; 138995-1 (260N) .360	F 8
Q48	140329-1	PRP; 138995-1 (260N) .360	F 10
Q49	125798-1	XSTR,MMBT3906 LT3 10K REEL	G 9
Q50	125798-1	XSTR,MMBT3906 LT3 10K REEL	G 9
Q51	125798-1	XSTR,MMBT3906 LT3 10K REEL	G 9
Q52	102483-1	PNP 300V 500MA SOT-23	J 9
Q53	102483-1	PNP 300V 500MA SOT-23	K 10
Q54	102483-1	PNP 300V 500MA SOT-23	C 9
Q55	102483-1	PNP 300V 500MA SOT-23	B 10
Q56	131047-1	TRANSISTOR, KSA1298 PNP SOT-23	G 8
Q57	131046-1	TRANSISTOR, KSC3265 NPN SOT-23	G 10
Q58	131047-1	TRANSISTOR, KSA1298 PNP SOT-23	G 10
Q59	125798-1	XSTR,MMBT3906 LT3 10K REEL	G 9
Q60	140329-1	PRP; 138995-1 (260N) .360	H 8
Q61	140329-1	PRP; 138995-1 (260N) .360	H 10
Q62	125798-1	XSTR,MMBT3906 LT3 10K REEL	G 9
Q63	139686-1	XSISTOR, MPSW45 50V 1W TO92	G 8
Q64	125798-1	XSTR,MMBT3906 LT3 10K REEL	G 9
Q65	125798-1	XSTR,MMBT3906 LT3 10K REEL	G 9
Q69	C 8103-1	MPSW42 300V 1 WATT NPN T/R	F 11
Q70	C 8103-1	MPSW42 300V 1 WATT NPN T/R	F 11
Q79	C 8103-1	MPSW42 300V 1 WATT NPN T/R	F 11
Q80	C 8103-1	MPSW42 300V 1 WATT NPN T/R	H 11
Q100	C 8103-1	MPSW42 300V 1 WATT NPN T/R	E 2
Q102	C 8104-9	MPSW92 300V 1 WATT PNP T/R	E 3
Q103	C 9931-4	MMBT5087LT1 PNP XSISTOR SOT-23	E 2
Q104	C 9931-4	MMBT5087LT1 PNP XSISTOR SOT-23	E 3
Q105	C 8104-9	MPSW92 300V 1 WATT PNP T/R	C 3
Q106	C 8104-9	MPSW92 300V 1 WATT PNP T/R	C 3
Q107	C 8103-1	MPSW42 300V 1 WATT NPN T/R	D 3
Q108	C 8103-1	MPSW42 300V 1 WATT NPN T/R	D 3
Q109	C 7448-1	MMBT3904 CHIP NPN	D 7
Q110	C 7448-1	MMBT3904 CHIP NPN	D 8
Q111	125798-1	XSTR,MMBT3906 LT3 10K REEL	B 8
Q112	C 8103-1	MPSW42 300V 1 WATT NPN T/R	C 6
Q113	C 8104-9	MPSW92 300V 1 WATT PNP T/R	C 3
Q114	139426-1	PRP, 136168/137779 GRN (15033)	D 6
Q115	139425-1	PRP, 136167/137779 BLU (15032)	D 3
Q116	C 8104-9	MPSW92 300V 1 WATT PNP T/R	E 3
Q117	C 8103-1	MPSW42 300V 1 WATT NPN T/R	K 2
Q119	C 8104-9	MPSW92 300V 1 WATT PNP T/R	L 3

139086-14 REV. A		PWA, XT12000	600029
Q120	C 9931-4	MMBT5087LT1 PNP XSISTOR SOT-23	K 2
Q121	C 9931-4	MMBT5087LT1 PNP XSISTOR SOT-23	K 3
Q122	C 8104-9	MPSW92 300V 1 WATT PNP T/R	J 3
Q123	C 8104-9	MPSW92 300V 1 WATT PNP T/R	J 3
Q124	C 8103-1	MPSW42 300V 1 WATT NPN T/R	K 3
Q125	C 8103-1	MPSW42 300V 1 WATT NPN T/R	K 3
Q126	C 7448-1	MMBT3904 CHIP NPN	J 7
Q127	C 7448-1	MMBT3904 CHIP NPN	L 8
Q128	125798-1	XSTR,MMBT3906 LT3 10K REEL	J 8
Q129	C 8103-1	MPSW42 300V 1 WATT NPN T/R	I 6
Q130	C 7448-1	MMBT3904 CHIP NPN	C 2
Q131	C 8104-9	MPSW92 300V 1 WATT PNP T/R	J 3
Q132	139426-1	PRP, 136168/137779 GRN (15033)	J 6
Q133	139425-1	PRP, 136167/137779 BLU (15032)	J 3
Q134	C 8104-9	MPSW92 300V 1 WATT PNP T/R	E 2
Q135	C 7448-1	MMBT3904 CHIP NPN	L 2
Q136	C 8104-9	MPSW92 300V 1 WATT PNP T/R	K 3
Q137	C 8104-9	MPSW92 300V 1 WATT PNP T/R	K 2
Q138	C 8104-9	MPSW92 300V 1 WATT PNP T/R	G 8
Q140	C 8104-9	MPSW92 300V 1 WATT PNP T/R	G 8
Q141	C 8103-1	MPSW42 300V 1 WATT NPN T/R	D 2
Q142	C 8103-1	MPSW42 300V 1 WATT NPN T/R	J 2
Q802	C 7448-1	MMBT3904 CHIP NPN	K 1
Q803	132065-1	MOSFET, P-CH 60V 0.8 OHM 1.17A	J 1
R1	A11368-10021	10K 1/10W 1% SMD 0805 T/R	M 8
R2	A11368-10R00	RES, 10 OHM 1/16W 1% 0603	M 9
R3	A11368-10R00	RES, 10 OHM 1/16W 1% 0603	M 8
R5	A11368-10020	RES, 10.0 KOHM 1/16W 1% 0603	H 1
R6	A11368-10021	10K 1/10W 1% SMD 0805 T/R	G 8
R7	A11368-10R00	RES, 10 OHM 1/16W 1% 0603	G 8
R8	A11368-10R00	RES, 10 OHM 1/16W 1% 0603	G 8
R9	A11368-10020	RES, 10.0 KOHM 1/16W 1% 0603	I 1
R10	A11368-10010	RES, 1.0 KOHM 1/16W 1% 0603	L 1
R11	A11368-10020	RES, 10.0 KOHM 1/16W 1% 0603	K 1
R12	A11368-10010	RES, 1.0 KOHM 1/16W 1% 0603	L 1
R13	A11368-10010	RES, 1.0 KOHM 1/16W 1% 0603	F 2
R14		OPEN	G 3
R15	A11368-10010	RES, 1.0 KOHM 1/16W 1% 0603	H 1
R16	A11368-10020	RES, 10.0 KOHM 1/16W 1% 0603	H 1
R17	A11368-63411	6.34K 0.10W 1% CHIP 0805	I 2
R18	A11368-63411	6.34K 0.10W 1% CHIP 0805	F 3
R19	A11368-15010	RES, 1.5 K OHM 1/16W 1% 0603	A 11
R20	A11368-63411	6.34K 0.10W 1% CHIP 0805	I 2
R21		OPEN	G 3
R22	A11368-10020	RES, 10.0 KOHM 1/16W 1% 0603	I 1
R23	A11371-8205	82 OHM 1W 5% SMD 2512	D 11
R24	A11368-75R03	75 OHM .25W 1% 1210 T/R	C 11
R25	A11368-75R03	75 OHM .25W 1% 1210 T/R	C 11
R26	A11368-10020	RES, 10.0 KOHM 1/16W 1% 0603	D 2
R27	A11368-10020	RES, 10.0 KOHM 1/16W 1% 0603	C 2
R28	A11368-10020	RES, 10.0 KOHM 1/16W 1% 0603	C 2
R29	A11368-10020	RES, 10.0 KOHM 1/16W 1% 0603	D 2
R30	A11368-24910	RES, 2.49 KOHM 1/16W 1% 0603	C 1
R31	A11368-54911	5.49K 0.1W 1% 0805 T/R	C 1
R32	A11368-10010	RES, 1.0 KOHM 1/16W 1% 0603	F 2
R33	A11368-24910	RES, 2.49 KOHM 1/16W 1% 0603	B 2
R34	A11368-24910	RES, 2.49 KOHM 1/16W 1% 0603	C 2
R35	A11368-10020	RES, 10.0 KOHM 1/16W 1% 0603	I 1
R36	A11368-24910	RES, 2.49 KOHM 1/16W 1% 0603	C 2

139086-14 REV. A		PWA, XT12000	600029
R37	A11368-24910	RES, 2.49 KOHM 1/16W 1% 0603	C 1
R38	A11368-82500	RES, 825 OHM 1/16W 1% 0603	C 2
R39	A11368-82500	RES, 825 OHM 1/16W 1% 0603	B 1
R40	A11368-25500	RES, 255 OHM 1/16W 1% 0603	D 2
R41	A11368-25500	RES, 255 OHM 1/16W 1% 0603	D 2
R42	A11368-10020	RES, 10.0 KOHM 1/16W 1% 0603	D 2
R43	A11368-47001	470 OHM, 0.10W 1% MF 0805	I 11
R44	A11368-75R03	75 OHM .25W 1% 1210 T/R	D 11
R45	A11368-75R03	75 OHM .25W 1% 1210 T/R	D 11
R46	A11368-10020	RES, 10.0 KOHM 1/16W 1% 0603	E 2
R47	A11368-10020	RES, 10.0 KOHM 1/16W 1% 0603	E 2
R48	A11368-10020	RES, 10.0 KOHM 1/16W 1% 0603	E 2
R49	A11368-10020	RES, 10.0 KOHM 1/16W 1% 0603	E 2
R50	A11368-24910	RES, 2.49 KOHM 1/16W 1% 0603	E 1
R51	A11368-29421	29.4 KOHM .1W 1% 0805 T/R	F 3
R52	A11368-63411	6.34K 0.10W 1% CHIP 0805	F 3
R53	A11368-29421	29.4 KOHM .1W 1% 0805 T/R	F 3
R54	A11368-29421	29.4 KOHM .1W 1% 0805 T/R	I 2
R55	A11368-29421	29.4 KOHM .1W 1% 0805 T/R	I 2
R56	A11368-17820	RES, 17.8 KOHM 1/16W 1% 0603	F 3
R57	A11368-17820	RES, 17.8 KOHM 1/16W 1% 0603	I 2
R58	A11368-17820	RES, 17.8 KOHM 1/16W 1% 0603	F 3
R59	A11368-17820	RES, 17.8 KOHM 1/16W 1% 0603	I 2
R60	A11368-54911	5.49K 0.1W 1% 0805 T/R	E 1
R61	A11371-8205	82 OHM 1W 5% SMD 2512	B 11
R62	A11368-24910	RES, 2.49 KOHM 1/16W 1% 0603	D 2
R63	A11368-24910	RES, 2.49 KOHM 1/16W 1% 0603	D 2
R64	A11368-10020	RES, 10.0 KOHM 1/16W 1% 0603	H 2
R65	A11368-24910	RES, 2.49 KOHM 1/16W 1% 0603	D 2
R66	A11368-24910	RES, 2.49 KOHM 1/16W 1% 0603	D 1
R67	A11368-82500	RES, 825 OHM 1/16W 1% 0603	E 2
R68	A11368-82500	RES, 825 OHM 1/16W 1% 0603	D 1
R69	A11368-25500	RES, 255 OHM 1/16W 1% 0603	D 2
R70	A11368-25500	RES, 255 OHM 1/16W 1% 0603	D 2
R71	A11368-10020	RES, 10.0 KOHM 1/16W 1% 0603	D 2
R72	A11368-33R20	RES, 33.2 OHM 1/16W 1% 0603	A 11
R73	A11368-36511	3.65KOHM .1W 1% 0805 T/R	H 3
R74	A11368-47520	RES, 47.5 K OHM 1/16W 1% 0603	H 1
R75	A11368-32400	324 OHM 1/16W 1% 0603 T/R	B 10
R76	A11368-30910	RES, 3.09K OHM 1% 1/16W 0603	B 10
R77	A11368-75000	RES, 750 OHM 1/16W 1% 0603	B 10
R78	A11368-11820	RES, 11.8K 1% 1/16W 0603	E 3
R79	A11368-15031	150K 1/10W 1% SMD 0805 T/R	E 3
R80	A11368-11820	RES, 11.8K 1% 1/16W 0603	K 3
R81	A11368-15031	150K 1/10W 1% SMD 0805 T/R	K 3
R82		OPEN	B 8
R83	A11368-1R001	1 OHM .1W 1% 0805 T/R	A 9
R84	A11368-30101	301 OHM .1W 1% 0805 T/R	M 12
R85	A11368-32400	324 OHM 1/16W 1% 0603 T/R	C 9
R86	A11368-30910	RES, 3.09K OHM 1% 1/16W 0603	C 9
R87	A11368-1R001	1 OHM .1W 1% 0805 T/R	L 12
R88	A11368-24921	24.9K 1/10W 1% SMD 0805 T/R	G 3
R89		OPEN	K 8
R90	A11368-1R001	1 OHM .1W 1% 0805 T/R	L 9
R91	A11368-30101	301 OHM .1W 1% 0805 T/R	N 12
R92	A11368-1R001	1 OHM .1W 1% 0805 T/R	N 12
R93	A11368-75000	RES, 750 OHM 1/16W 1% 0603	C 9
R94	A11368-10020	RES, 10.0 KOHM 1/16W 1% 0603	B 10
R95	A11368-10010	RES, 1.0 KOHM 1/16W 1% 0603	I 1

139086-14 REV. A		PWA, XT12000	600029
R96	A11368-10010	RES, 1.0 KOHM 1/16W 1% 0603	I 1
R97	A11368-20021	20.KOHM .1W 1% CHIP 0805	I 11
R98		OPEN	F 11
R99	A11368-15010	RES, 1.5 K OHM 1/16W 1% 0603	G 9
R100	A11368-47001	470 OHM, 0.10W 1% MF 0805	D 2
R101	A11368-47001	470 OHM, 0.10W 1% MF 0805	K 2
R102	A11368-33R20	RES, 33.2 OHM 1/16W 1% 0603	A 11
R103	A11371-8205	82 OHM 1W 5% SMD 2512	A 2
R104	A11368-47001	470 OHM, 0.10W 1% MF 0805	E 2
R105	A11371-8205	82 OHM 1W 5% SMD 2512	A 3
R106	A11368-24920	RES, 24.9 KOHM 1/16W 1% 0603	G 3
R107	A11368-22101	221OHM 0.1W 1% 0805 T/R	F 3
R108	A11368-35721	35.7 KOHM 0.1W 1% 0805 T/R	E 3
R109	A11368-22101	221OHM 0.1W 1% 0805 T/R	E 2
R110	A11368-22101	221OHM 0.1W 1% 0805 T/R	E 3
R111		OPEN	F 3
R112		OPEN	J 11
R113	A11368-10031	100.KOHM .1W 1% CHIP 0805	G 3
R114	A11368-47001	470 OHM, 0.10W 1% MF 0805	E 2
R115	A11368-35721	35.7 KOHM 0.1W 1% 0805 T/R	E 3
R116	A11368-10020	RES, 10.0 KOHM 1/16W 1% 0603	F 3
R117	A11368-10010	RES, 1.0 KOHM 1/16W 1% 0603	N 1
R118	A11368-37411	3.74K OHM 1% 0.1W 0805 T/R	D 2
R119		OPEN	F 3
R120	A11368-10020	RES, 10.0 KOHM 1/16W 1% 0603	B 2
R121	A11368-18211	1.82KOHM .1W 1% 0805 T/R	B 2
R122	A11368-10020	RES, 10.0 KOHM 1/16W 1% 0603	B 2
R123	A11368-10020	RES, 10.0 KOHM 1/16W 1% 0603	B 3
R124	A11368-18211	1.82KOHM .1W 1% 0805 T/R	B 3
R125	A11368-10020	RES, 10.0 KOHM 1/16W 1% 0603	B 3
R126		OPEN	F 3
R127		OPEN	F 3
R128		OPEN	F 3
R129	A11368-47001	470 OHM, 0.10W 1% MF 0805	D 2
R130		OPEN	C 2
R131	A11368-10011	1.KOHM .1W 1% CHIP 0805	C 3
R132	A11368-10023	10.0KOHM .25W 1% 1210 T/R	C 3
R133	A11368-17823	RES, 17.8K OHM 1% 0.25W 1210	D 3
R134	A11368-75R00	RES, 75 OHM 1/16W 1% 0603	C 3
R135	A11368-75R00	RES, 75 OHM 1/16W 1% 0603	C 3
R136	A11368-75R00	RES, 75 OHM 1/16W 1% 0603	E 3
R137	A11368-15000	RES, 150 OHM 1% 1/16W 0603	E 3
R138	A11368-11011	RES, 1.1KOHM .1W 1% 0805	G 3
R139	A11368-27430	RES, 274 KOHM 1/16W 1% 0603	P 1
R140	A11368-24920	RES, 24.9 KOHM 1/16W 1% 0603	I 3
R141	A11368-47001	470 OHM, 0.10W 1% MF 0805	K 2
R142	A11368-75R00	RES, 75 OHM 1/16W 1% 0603	E 3
R143	A11368-51111	5.11KOHM .1W 1% 0805 T/R	D 3
R144	133871-1	TRIMPOT, 500 OHM TOP ADJ T/R	D 3
R145	A11368-32400	324 OHM 1/16W 1% 0603 T/R	K 10
R146	A11368-30910	RES, 3.09K OHM 1% 1/16W 0603	K 10
R147	A11368-34001	RES, 340 OHM 1% 0.1W SMT 0805	C 6
R148	A11368-34001	RES, 340 OHM 1% 0.1W SMT 0805	C 3
R149	A11368-22R11	22.1 OHM 0.1W 1% 0805 T/R	D 5
R150	A11368-10003	100 OHM 0.25W 1% 1210 T/R	D 5
R151	A11368-51R10	RES, 51.1 OHM 1/16W 1% 0603	A 6
R152	A11368-51R10	RES, 51.1 OHM 1/16W 1% 0603	A 5
R153	A11368-13011	1.3KOHM .1W 1% 0805 T/R	B 6
R154	A11368-13011	1.3KOHM .1W 1% 0805 T/R	B 5

139086-14 REV. A		PWA, XT12000	600029
R155	A11368-13011	1.3KOHM .1W 1% 0805 T/R	C 6
R156	A11368-13011	1.3KOHM .1W 1% 0805 T/R	C 5
R157	A11368-13011	1.3KOHM .1W 1% 0805 T/R	E 6
R158	A11368-13011	1.3KOHM .1W 1% 0805 T/R	F 6
R159	A11368-13011	1.3KOHM .1W 1% 0805 T/R	E 5
R160	A11368-13011	1.3KOHM .1W 1% 0805 T/R	F 5
R161	A11368-11011	RES, 1.1KOHM .1W 1% 0805	C 2
R162	A11368-17823	RES, 17.8K OHM 1% 0.25W 1210	D 2
R163	A11368-10023	10.0KOHM .25W 1% 1210 T/R	C 2
R165		OPEN	D 8
R166		OPEN	A 8
R167		OPEN	M 8
R168		OPEN	J 8
R169	A11368-10010	RES, 1.0 KOHM 1/16W 1% 0603	C 2
R170	A11368-10010	RES, 1.0 KOHM 1/16W 1% 0603	C 3
R171	A11368-64900	649 OHM 1/16W 1% 0603 T/R	B 3
R172	A11368-20031	200K 0.1W 1% SMD CHIP 0805	B 3
R173	A11368-20031	200K 0.1W 1% SMD CHIP 0805	B 3
R174	A11368-49900	RES, 499 OHM 1/16W 1% 0603	B 3
R175	A11368-18211	1.82KOHM .1W 1% 0805 T/R	C 3
R176	A11368-19120	RES, 19.1 K OHM 1/16W 1% 0603	I 3
R177	A11368-20520	RES, 20.5 KOHM 1/16W 1% 0603	I 3
R178	A11368-10020	RES, 10.0 KOHM 1/16W 1% 0603	B 2
R179	A11368-12111	RES, 1.21K 1% 0.1W SMT 0805	D 3
R180	A11368-18211	1.82KOHM .1W 1% 0805 T/R	D 3
R181	A11368-24921	24.9K 1/10W 1% SMD 0805 T/R	I 3
R182	A11368-10010	RES, 1.0 KOHM 1/16W 1% 0603	E 3
R183	A11368-10010	RES, 1.0 KOHM 1/16W 1% 0603	C 2
R184	A11368-22R11	22.1 OHM 0.1W 1% 0805 T/R	D 3
R185		OPEN	C 8
R186		OPEN	B 8
R187		OPEN	F 8
R188		OPEN	E 8
R189		OPEN	D 8
R190		OPEN	F 8
R191		OPEN	E 3
R192		OPEN	A 8
R193		OPEN	E 3
R194		OPEN	A 6
R195		OPEN	A 5
R196	A11371-8205	82 OHM 1W 5% SMD 2512	C 8
R197	A11371-15R3	RES, 15 OHM .25W 5% 1210 T/R	B 9
R198		OPEN	J 11
R199		OPEN	G 3
R200	A11368-10023	10.0KOHM .25W 1% 1210 T/R	J 2
R201	139351-1	RES, 35.7K OHM 1% 1W RAD T/R	C 8
R202		OPEN	D 9
R203		OPEN	C 8
R204	A11368-17823	RES, 17.8K OHM 1% 0.25W 1210	J 2
R205		OPEN	B 8
R206		OPEN	A 9
R207		OPEN	B 8
R208	A11368-22101	221OHM 0.1W 1% 0805 T/R	L 3
R209	A11371-1052	1. MOHM .125W 5% CHIP RES T/R	G 3
R210	A11368-10041	1M OHM .1W 1% CHIP 0805	H 3
R211	A11368-47520	RES, 47.5 K OHM 1/16W 1% 0603	H 3
R212	A11368-36511	3.65KOHM .1W 1% 0805 T/R	H 3
R213	A11368-47520	RES, 47.5 K OHM 1/16W 1% 0603	H 3
R214	A11368-35721	35.7 KOHM 0.1W 1% 0805 T/R	K 3

139086-14 REV. A		PWA, XTI2000	600029
R215	A11368-22101	221OHM 0.1W 1% 0805 T/R	K 2
R216	A11368-22101	221OHM 0.1W 1% 0805 T/R	K 3
R217		OPEN	I 2
R218	A11368-10020	RES, 10.0 KOHM 1/16W 1% 0603	H 1
R219	A11368-10031	100.KOHM .1W 1% CHIP 0805	I 2
R220	A11368-37401	374 OHM .1W 1% CHIP 0805	C 1
R221		OPEN	E 3
R222	A11368-15010	RES, 1.5 K OHM 1/16W 1% 0603	G 9
R223	A11368-20021	20.KOHM .1W 1% CHIP 0805	C 3
R224	A11371-15R3	RES, 15 OHM .25W 5% 1210 T/R	A 9
R225	A11368-47001	470 OHM, 0.10W 1% MF 0805	K 2
R226	A11368-35721	35.7 KOHM 0.1W 1% 0805 T/R	K 3
R227	A11368-10020	RES, 10.0 KOHM 1/16W 1% 0603	L 3
R228	A11368-37401	374 OHM .1W 1% CHIP 0805	E 1
R229	A11368-37411	3.74K OHM 1% 0.1W 0805 T/R	K 2
R230		OPEN	I 2
R231	A11368-10020	RES, 10.0 KOHM 1/16W 1% 0603	M 2
R232	A11368-18211	1.82KOHM .1W 1% 0805 T/R	M 2
R233	A11368-10020	RES, 10.0 KOHM 1/16W 1% 0603	L 2
R234	A11368-10020	RES, 10.0 KOHM 1/16W 1% 0603	L 3
R235	A11368-18211	1.82KOHM .1W 1% 0805 T/R	L 3
R236	A11368-10020	RES, 10.0 KOHM 1/16W 1% 0603	L 3
R237		OPEN	I 2
R238		OPEN	I 2
R239		OPEN	I 2
R240	A11368-47001	470 OHM, 0.10W 1% MF 0805	J 2
R241		OPEN	J 2
R242	A11368-10011	1.KOHM .1W 1% CHIP 0805	I 3
R243	A11368-10023	10.0KOHM .25W 1% 1210 T/R	J 3
R244	A11368-17823	RES, 17.8K OHM 1% 0.25W 1210	J 3
R245	A11368-75R00	RES, 75 OHM 1/16W 1% 0603	J 3
R246	A11368-75R00	RES, 75 OHM 1/16W 1% 0603	J 3
R247	A11368-75R00	RES, 75 OHM 1/16W 1% 0603	K 3
R248	A11368-15000	RES, 150 OHM 1% 1/16W 0603	K 3
R249	A11368-11011	RES, 1.1KOHM .1W 1% 0805	I 2
R250	A11368-75R00	RES, 75 OHM 1/16W 1% 0603	K 3
R251	A11368-51111	5.11KOHM .1W 1% 0805 T/R	J 3
R252	133871-1	TRIMPOT, 500 OHM TOP ADJ T/R	J 3
R253	A11368-75000	RES, 750 OHM 1/16W 1% 0603	K 10
R254	A11368-32400	324 OHM 1/16W 1% 0603 T/R	J 9
R255	A11368-34001	RES, 340 OHM 1% 0.1W SMT 0805	J 6
R256	A11368-34001	RES, 340 OHM 1% 0.1W SMT 0805	J 3
R257	A11368-22R11	22.1 OHM 0.1W 1% 0805 T/R	J 5
R258	A11368-10003	100 OHM 0.25W 1% 1210 T/R	J 5
R259	A11368-51R10	RES, 51.1 OHM 1/16W 1% 0603	G 6
R260	A11368-51R10	RES, 51.1 OHM 1/16W 1% 0603	G 5
R261	A11368-13011	1.3KOHM .1W 1% 0805 T/R	H 6
R262	A11368-13011	1.3KOHM .1W 1% 0805 T/R	H 5
R263	A11368-13011	1.3KOHM .1W 1% 0805 T/R	I 6
R264	A11368-13011	1.3KOHM .1W 1% 0805 T/R	I 5
R265	A11368-13011	1.3KOHM .1W 1% 0805 T/R	K 6
R266	A11368-13011	1.3KOHM .1W 1% 0805 T/R	L 5
R267	A11368-13011	1.3KOHM .1W 1% 0805 T/R	K 5
R268	A11368-13011	1.3KOHM .1W 1% 0805 T/R	L 5
R269	A11368-12111	RES, 1.21K 1% 0.1W SMT 0805	D 8
R270	A11368-12111	RES, 1.21K 1% 0.1W SMT 0805	A 8
R271	A11368-12111	RES, 1.21K 1% 0.1W SMT 0805	L 8
R272	A11368-12111	RES, 1.21K 1% 0.1W SMT 0805	J 8
R273		OPEN	D 3

139086-14 REV. A

PWA, XT12000

600029

R274		OPEN	J 2
R275		OPEN	C 1
R276	A11368-11011	RES, 1.1KOHM .1W 1% 0805	J 2
R277	A11368-10010	RES, 1.0 KOHM 1/16W 1% 0603	L 3
R278	A11368-10010	RES, 1.0 KOHM 1/16W 1% 0603	L 3
R279	A11368-64900	649 OHM 1/16W 1% 0603 T/R	L 3
R280	A11368-20031	200K 0.1W 1% SMD CHIP 0805	L 3
R281	A11368-20031	200K 0.1W 1% SMD CHIP 0805	M 3
R282	A11368-49900	RES, 499 OHM 1/16W 1% 0603	M 3
R283	A11368-18211	1.82KOHM .1W 1% 0805 T/R	M 3
R284	A11368-10020	RES, 10.0 KOHM 1/16W 1% 0603	M 2
R285	A11368-12111	RES, 1.21K 1% 0.1W SMT 0805	J 3
R286	A11368-18211	1.82KOHM .1W 1% 0805 T/R	J 3
R287	A11368-10010	RES, 1.0 KOHM 1/16W 1% 0603	L 3
R288	A11368-10020	RES, 10.0 KOHM 1/16W 1% 0603	H 1
R289	A11368-10010	RES, 1.0 KOHM 1/16W 1% 0603	L 2
R290	A11368-22R11	22.1 OHM 0.1W 1% 0805 T/R	J 3
R291		OPEN	L 8
R292		OPEN	K 8
R293		OPEN	L 8
R294		OPEN	L 8
R295		OPEN	M 8
R296		OPEN	L 8
R297		OPEN	L 3
R298		OPEN	J 8
R299		OPEN	L 3
R300		OPEN	G 6
R301		OPEN	G 5
R302	A11371-8205	82 OHM 1W 5% SMD 2512	L 8
R303	A11371-15R3	RES, 15 OHM .25W 5% 1210 T/R	K 9
R304	A11368-37401	374 OHM .1W 1% CHIP 0805	C 1
R305		OPEN	G 3
R307	139351-1	RES, 35.7K OHM 1% 1W RAD T/R	L 9
R308		OPEN	M 9
R309		OPEN	L 8
R311		OPEN	K 8
R312		OPEN	J 9
R313		OPEN	K 8
R314	A11371-1052	1. MOHM .125W 5% CHIP RES T/R	G 3
R315	A11368-10041	1M OHM .1W 1% CHIP 0805	H 3
R316	A11368-30910	RES, 3.09K OHM 1% 1/16W 0603	J 9
R317		OPEN	L 11
R318	A11368-37401	374 OHM .1W 1% CHIP 0805	E 1
R319	A11368-7R503	RES, 7.5 OHM 1% 0.25W 1210 T/R	B 6
R320		OPEN	L 3
R321	A11368-15010	RES, 1.5 K OHM 1/16W 1% 0603	G 9
R322	A11368-20021	20.KOHM .1W 1% CHIP 0805	I 3
R323	A11371-15R3	RES, 15 OHM .25W 5% 1210 T/R	A 9
R324	A11368-64911	6.49KOHM .1W 1% 0805 T/R	H 3
R325	A11368-64911	6.49KOHM .1W 1% 0805 T/R	I 3
R326	A11368-12103	121OHM 0.25W 1% 1210 T/R	Q 2
R327	A11368-7R503	RES, 7.5 OHM 1% 0.25W 1210 T/R	B 6
R328	A11368-7R503	RES, 7.5 OHM 1% 0.25W 1210 T/R	B 6
R329	A11368-10010	RES, 1.0 KOHM 1/16W 1% 0603	Q 2
R330	A11368-12103	121OHM 0.25W 1% 1210 T/R	Q 1
R331	A11368-10020	RES, 10.0 KOHM 1/16W 1% 0603	Q 2
R332	A11368-35720	RES, 35.7K OHM 1% 1/16W 0603	Q 3
R333	A11368-10010	RES, 1.0 KOHM 1/16W 1% 0603	Q 1
R334	A11368-47510	RES, 4.75 KOHM 1/16W 1% 0603	M 3

XTi2000 BOM 139086-14_A.xls

R04.1CDE-004_(Fm) JAW 10/6/01

CROWN AUDIO, INC. ELKHART, IN.

20 OF 30

139086-14 REV. A		PWA, XTI2000	600029
R335	A11368-35700	RES, 357 OHM 1/16W 1% 0603	M 3
R336	A11368-10R00	RES, 10 OHM 1/16W 1% 0603	M 3
R337	A11368-10030	RES, 100.0 KOHM 1/16W 1% 0603	N 7
R338	A11368-10030	RES, 100.0 KOHM 1/16W 1% 0603	K 1
R339	A11368-10030	RES, 100.0 KOHM 1/16W 1% 0603	K 1
R340	A11368-22120	RES, 22.1 KOHM 1% 1/16W 0603	K 1
R341	A11368-22120	RES, 22.1 KOHM 1% 1/16W 0603	K 1
R342	A11368-10000	RES, 100 OHM 1/16W 1% 0603	K 2
R343		OPEN	H 1
R344		OPEN	H 1
R345	A11368-49923	49.9KOHM .25W 1% CHIP 1210	Q 8
R346	A11368-49923	49.9KOHM .25W 1% CHIP 1210	P 8
R347	A11368-51R10	RES, 51.1 OHM 1/16W 1% 0603	N 1
R348	A11368-10R01	10 OHM .1W 1% 0805 T/R	N 1
R349	A11368-51R10	RES, 51.1 OHM 1/16W 1% 0603	N 2
R350	A11368-10R01	10 OHM .1W 1% 0805 T/R	N 2
R351	A11371-8205	82 OHM 1W 5% SMD 2512	C 8
R352	A11371-8205	82 OHM 1W 5% SMD 2512	L 8
R353	A11368-10020	RES, 10.0 KOHM 1/16W 1% 0603	H 2
R354	A11368-24R91	RES, 24.9 OHM 1% 0.1W 0805	G 8
R355	A11371-5R65	5.6 OHM 1W 5% 2512 T/R	A 11
R356	A11368-24R91	RES, 24.9 OHM 1% 0.1W 0805	G 10
R357	A11368-10020	RES, 10.0 KOHM 1/16W 1% 0603	K 10
R358	A11368-10020	RES, 10.0 KOHM 1/16W 1% 0603	J 9
R359	A11368-60410	RES, 6.04 KOHM 1/16W 1% 0603	G 8
R360	A11368-60410	RES, 6.04 KOHM 1/16W 1% 0603	G 8
R361	A11368-10020	RES, 10.0 KOHM 1/16W 1% 0603	C 9
R362	A11368-15010	RES, 1.5 K OHM 1/16W 1% 0603	G 9
R363	A11368-10020	RES, 10.0 KOHM 1/16W 1% 0603	Q 2
R364	A11368-7R503	RES, 7.5 OHM 1% 0.25W 1210 T/R	B 7
R365	A11368-7R503	RES, 7.5 OHM 1% 0.25W 1210 T/R	B 7
R366	A11368-7R503	RES, 7.5 OHM 1% 0.25W 1210 T/R	B 7
R367	A11368-37411	3.74K OHM 1% 0.1W 0805 T/R	N 1
R368	A11368-10010	RES, 1.0 KOHM 1/16W 1% 0603	N 1
R369	A11368-10010	RES, 1.0 KOHM 1/16W 1% 0603	N 1
R370	133483-1	48.7 KOHM 1W 1% RAD T/A	O 1
R371	133483-1	48.7 KOHM 1W 1% RAD T/A	O 2
R372	133483-1	48.7 KOHM 1W 1% RAD T/A	O 2
R373	133483-1	48.7 KOHM 1W 1% RAD T/A	O 1
R374	133483-1	48.7 KOHM 1W 1% RAD T/A	O 2
R375	A11368-10010	RES, 1.0 KOHM 1/16W 1% 0603	O 1
R376	133483-1	48.7 KOHM 1W 1% RAD T/A	P 3
R377	A11368-20030	RES, 200 KOHM 1/16W 1% 0603	P 1
R378	133483-1	48.7 KOHM 1W 1% RAD T/A	O 1
R379	A11368-20030	RES, 200 KOHM 1/16W 1% 0603	P 1
R380	A11368-68120	RES, 68.1 KOHM 1/16W 1% 0603	O 1
R381	A11368-15031	150K 1/10W 1% SMD 0805 T/R	O 1
R382	A11368-75000	RES, 750 OHM 1/16W 1% 0603	J 9
R383	A11368-10000	RES, 100 OHM 1/16W 1% 0603	J 9
R384	A11368-10003	100 OHM 0.25W 1% 1210 T/R	N 6
R385	A11368-10003	100 OHM 0.25W 1% 1210 T/R	N 6
R386	A11368-10003	100 OHM 0.25W 1% 1210 T/R	N 6
R387	A11368-10003	100 OHM 0.25W 1% 1210 T/R	N 6
R388	A11368-10000	RES, 100 OHM 1/16W 1% 0603	K 10
R389	A11368-10030	RES, 100.0 KOHM 1/16W 1% 0603	K 2
R390	A11368-42200	RES, 422 OHM 1/16W 1% 0603	I 11
R391	A11368-10000	RES, 100 OHM 1/16W 1% 0603	C 9
R392	A11368-49910	RES, 4.99 KOHM 1/16W 1% 0603	C 10
R393	A11368-10R00	RES, 10 OHM 1/16W 1% 0603	G 11

139086-14 REV. A		PWA, XT12000	600029
R394	A11368-10R00	RES, 10 OHM 1/16W 1% 0603	G 11
R395	A11368-10R00	RES, 10 OHM 1/16W 1% 0603	H 11
R396	A11368-10R00	RES, 10 OHM 1/16W 1% 0603	H 11
R397	A11368-71520	RES, 71.5 KOHM 1/16W 1% 0603	C 10
R398	A11368-10R00	RES, 10 OHM 1/16W 1% 0603	O 1
R399	A11368-10020	RES, 10.0 KOHM 1/16W 1% 0603	H 2
R400	A11368-10020	RES, 10.0 KOHM 1/16W 1% 0603	H 2
R401	A11368-10R00	RES, 10 OHM 1/16W 1% 0603	O 1
R402	A11368-10R00	RES, 10 OHM 1/16W 1% 0603	O 1
R403	A11368-10000	RES, 100 OHM 1/16W 1% 0603	B 10
R404	A11368-49910	RES, 4.99 KOHM 1/16W 1% 0603	C 10
R405	A11368-35720	RES, 35.7K OHM 1% 1/16W 0603	C 10
R406	A11371-2250	RES, 2.2 MOHM 1/16W 5% 0603	P 1
R407	A11371-2250	RES, 2.2 MOHM 1/16W 5% 0603	P 1
R408	A11368-20010	RES, 2.0 KOHM 1/16W 1% 0603	C 10
R409	A11368-11020	RES, 11.0 KOHM 1/16W 1% 0603	C 9
R410	A11371-0R01	RES, 0 OHM 0805 50 MILOHM MAX	C 8
R411	A11368-24R91	RES, 24.9 OHM 1% 0.1W 0805	G 8
R412	A11368-10011	1.KOHM .1W 1% CHIP 0805	D 8
R413	A11368-24R91	RES, 24.9 OHM 1% 0.1W 0805	G 10
R414	A11368-32410	RES, 3.24 K OHM 1/16W 1% 0603	C 10
R415	A11368-49910	RES, 4.99 KOHM 1/16W 1% 0603	D 9
R416	A11368-17411	1.74KOHM .1W 1% CHIP 0805	D 9
R417	A11368-49910	RES, 4.99 KOHM 1/16W 1% 0603	D 9
R418	A11368-35720	RES, 35.7K OHM 1% 1/16W 0603	D 9
R419	A11368-49910	RES, 4.99 KOHM 1/16W 1% 0603	L 10
R420	A11368-35720	RES, 35.7K OHM 1% 1/16W 0603	L 10
R421	A11368-14010	RES, 1.40 KOHM 1/16W 1% 0603	C 10
R422	A11368-14010	RES, 1.40 KOHM 1/16W 1% 0603	L 10
R423	A11368-10020	RES, 10.0 KOHM 1/16W 1% 0603	H 2
R424	A11368-10020	RES, 10.0 KOHM 1/16W 1% 0603	H 1
R425	133483-1	48.7 KOHM 1W 1% RAD T/A	O 5
R426	A11368-10R00	RES, 10 OHM 1/16W 1% 0603	G 11
R427	A11368-10R00	RES, 10 OHM 1/16W 1% 0603	F 11
R428	A11368-7R503	RES, 7.5 OHM 1% 0.25W 1210 T/R	B 7
R429	A11368-7R503	RES, 7.5 OHM 1% 0.25W 1210 T/R	B 8
R430	A11368-7R503	RES, 7.5 OHM 1% 0.25W 1210 T/R	B 8
R431	A11368-7R503	RES, 7.5 OHM 1% 0.25W 1210 T/R	B 7
R432	A11368-7R503	RES, 7.5 OHM 1% 0.25W 1210 T/R	B 7
R433	A11368-7R503	RES, 7.5 OHM 1% 0.25W 1210 T/R	B 7
R434	A11368-7R503	RES, 7.5 OHM 1% 0.25W 1210 T/R	B 7
R435	A11368-7R503	RES, 7.5 OHM 1% 0.25W 1210 T/R	B 6
R436	A11368-7R503	RES, 7.5 OHM 1% 0.25W 1210 T/R	B 6
R437	A11368-7R503	RES, 7.5 OHM 1% 0.25W 1210 T/R	B 6
R438	A11368-7R503	RES, 7.5 OHM 1% 0.25W 1210 T/R	C 6
R439	A11368-7R503	RES, 7.5 OHM 1% 0.25W 1210 T/R	C 6
R440	A11368-7R503	RES, 7.5 OHM 1% 0.25W 1210 T/R	C 6
R441	A11368-7R503	RES, 7.5 OHM 1% 0.25W 1210 T/R	C 7
R442	A11368-7R503	RES, 7.5 OHM 1% 0.25W 1210 T/R	C 7
R443	A11368-7R503	RES, 7.5 OHM 1% 0.25W 1210 T/R	C 7
R444	A11368-7R503	RES, 7.5 OHM 1% 0.25W 1210 T/R	C 7
R445	A11368-7R503	RES, 7.5 OHM 1% 0.25W 1210 T/R	C 8
R446	A11368-7R503	RES, 7.5 OHM 1% 0.25W 1210 T/R	C 8
R447	A11368-7R503	RES, 7.5 OHM 1% 0.25W 1210 T/R	C 7
R448	A11368-7R503	RES, 7.5 OHM 1% 0.25W 1210 T/R	C 7
R449	A11368-7R503	RES, 7.5 OHM 1% 0.25W 1210 T/R	C 7
R450	A11368-7R503	RES, 7.5 OHM 1% 0.25W 1210 T/R	B 7
R451	A11368-7R503	RES, 7.5 OHM 1% 0.25W 1210 T/R	B 6
R452	A11368-7R503	RES, 7.5 OHM 1% 0.25W 1210 T/R	B 6

139086-14 REV. A		PWA, XT12000	600029
R453	A11368-7R503	RES, 7.5 OHM 1% 0.25W 1210 T/R	B 6
R454	A11368-7R503	RES, 7.5 OHM 1% 0.25W 1210 T/R	E 6
R455	A11368-7R503	RES, 7.5 OHM 1% 0.25W 1210 T/R	E 6
R456	A11368-7R503	RES, 7.5 OHM 1% 0.25W 1210 T/R	E 6
R457	A11368-7R503	RES, 7.5 OHM 1% 0.25W 1210 T/R	E 7
R458	A11368-7R503	RES, 7.5 OHM 1% 0.25W 1210 T/R	E 7
R459	A11368-7R503	RES, 7.5 OHM 1% 0.25W 1210 T/R	E 7
R460	A11368-7R503	RES, 7.5 OHM 1% 0.25W 1210 T/R	E 7
R461	A11368-7R503	RES, 7.5 OHM 1% 0.25W 1210 T/R	E 8
R462	A11368-7R503	RES, 7.5 OHM 1% 0.25W 1210 T/R	E 8
R463	A11368-7R503	RES, 7.5 OHM 1% 0.25W 1210 T/R	E 7
R464	A11368-7R503	RES, 7.5 OHM 1% 0.25W 1210 T/R	E 7
R465	A11368-7R503	RES, 7.5 OHM 1% 0.25W 1210 T/R	E 7
R466	A11368-7R503	RES, 7.5 OHM 1% 0.25W 1210 T/R	E 7
R467	A11368-7R503	RES, 7.5 OHM 1% 0.25W 1210 T/R	E 6
R468	A11368-7R503	RES, 7.5 OHM 1% 0.25W 1210 T/R	E 6
R469	A11368-7R503	RES, 7.5 OHM 1% 0.25W 1210 T/R	E 6
R470	A11368-7R503	RES, 7.5 OHM 1% 0.25W 1210 T/R	F 6
R471	A11368-7R503	RES, 7.5 OHM 1% 0.25W 1210 T/R	F 6
R472	A11368-7R503	RES, 7.5 OHM 1% 0.25W 1210 T/R	F 6
R473	A11368-7R503	RES, 7.5 OHM 1% 0.25W 1210 T/R	F 6
R474	A11368-7R503	RES, 7.5 OHM 1% 0.25W 1210 T/R	F 7
R475	A11368-7R503	RES, 7.5 OHM 1% 0.25W 1210 T/R	F 7
R476	A11368-7R503	RES, 7.5 OHM 1% 0.25W 1210 T/R	F 7
R477	A11368-7R503	RES, 7.5 OHM 1% 0.25W 1210 T/R	F 7
R478	A11368-7R503	RES, 7.5 OHM 1% 0.25W 1210 T/R	F 7
R479	A11368-7R503	RES, 7.5 OHM 1% 0.25W 1210 T/R	F 7
R480	A11368-7R503	RES, 7.5 OHM 1% 0.25W 1210 T/R	F 7
R481	A11368-7R503	RES, 7.5 OHM 1% 0.25W 1210 T/R	F 7
R482	A11368-7R503	RES, 7.5 OHM 1% 0.25W 1210 T/R	F 6
R483	A11368-7R503	RES, 7.5 OHM 1% 0.25W 1210 T/R	F 6
R484	A11368-7R503	RES, 7.5 OHM 1% 0.25W 1210 T/R	F 6
R485	A11368-7R503	RES, 7.5 OHM 1% 0.25W 1210 T/R	F 6
R486	A11368-7R503	RES, 7.5 OHM 1% 0.25W 1210 T/R	B 4
R487	A11368-7R503	RES, 7.5 OHM 1% 0.25W 1210 T/R	B 4
R488	A11368-7R503	RES, 7.5 OHM 1% 0.25W 1210 T/R	B 4
R489	A11368-7R503	RES, 7.5 OHM 1% 0.25W 1210 T/R	B 4
R490	A11368-7R503	RES, 7.5 OHM 1% 0.25W 1210 T/R	B 5
R491	A11368-7R503	RES, 7.5 OHM 1% 0.25W 1210 T/R	B 5
R492	A11368-7R503	RES, 7.5 OHM 1% 0.25W 1210 T/R	B 5
R493	A11368-7R503	RES, 7.5 OHM 1% 0.25W 1210 T/R	B 5
R494	A11368-7R503	RES, 7.5 OHM 1% 0.25W 1210 T/R	B 5
R495	A11368-7R503	RES, 7.5 OHM 1% 0.25W 1210 T/R	B 5
R496	A11368-7R503	RES, 7.5 OHM 1% 0.25W 1210 T/R	B 5
R497	A11368-7R503	RES, 7.5 OHM 1% 0.25W 1210 T/R	B 5
R498	A11368-7R503	RES, 7.5 OHM 1% 0.25W 1210 T/R	B 4
R499	A11368-7R503	RES, 7.5 OHM 1% 0.25W 1210 T/R	B 4
R500	A11368-7R503	RES, 7.5 OHM 1% 0.25W 1210 T/R	B 4
R501	A11368-7R503	RES, 7.5 OHM 1% 0.25W 1210 T/R	B 4
R502	A11368-7R503	RES, 7.5 OHM 1% 0.25W 1210 T/R	C 4
R503	A11368-7R503	RES, 7.5 OHM 1% 0.25W 1210 T/R	C 4
R504	A11368-7R503	RES, 7.5 OHM 1% 0.25W 1210 T/R	C 4
R505	A11368-7R503	RES, 7.5 OHM 1% 0.25W 1210 T/R	C 4
R506	A11368-7R503	RES, 7.5 OHM 1% 0.25W 1210 T/R	C 5
R507	A11368-7R503	RES, 7.5 OHM 1% 0.25W 1210 T/R	C 5
R508	A11368-7R503	RES, 7.5 OHM 1% 0.25W 1210 T/R	C 5
R509	A11368-7R503	RES, 7.5 OHM 1% 0.25W 1210 T/R	C 5
R510	A11368-7R503	RES, 7.5 OHM 1% 0.25W 1210 T/R	C 5
R511	A11368-7R503	RES, 7.5 OHM 1% 0.25W 1210 T/R	B 5

139086-14 REV. A		PWA, XT12000	600029
R512	A11368-7R503	RES, 7.5 OHM 1% 0.25W 1210 T/R	B 5
R513	A11368-7R503	RES, 7.5 OHM 1% 0.25W 1210 T/R	B 5
R514	A11368-7R503	RES, 7.5 OHM 1% 0.25W 1210 T/R	B 4
R515	A11368-7R503	RES, 7.5 OHM 1% 0.25W 1210 T/R	B 4
R516	A11368-7R503	RES, 7.5 OHM 1% 0.25W 1210 T/R	B 4
R517	A11368-7R503	RES, 7.5 OHM 1% 0.25W 1210 T/R	B 4
R518	A11368-7R503	RES, 7.5 OHM 1% 0.25W 1210 T/R	E 4
R519	A11368-7R503	RES, 7.5 OHM 1% 0.25W 1210 T/R	E 4
R520	A11368-7R503	RES, 7.5 OHM 1% 0.25W 1210 T/R	E 4
R521	A11368-7R503	RES, 7.5 OHM 1% 0.25W 1210 T/R	E 4
R522	A11368-7R503	RES, 7.5 OHM 1% 0.25W 1210 T/R	E 5
R523	A11368-7R503	RES, 7.5 OHM 1% 0.25W 1210 T/R	E 5
R524	A11368-7R503	RES, 7.5 OHM 1% 0.25W 1210 T/R	E 5
R525	A11368-7R503	RES, 7.5 OHM 1% 0.25W 1210 T/R	E 5
R526	A11368-7R503	RES, 7.5 OHM 1% 0.25W 1210 T/R	E 5
R527	A11368-7R503	RES, 7.5 OHM 1% 0.25W 1210 T/R	E 5
R528	A11368-7R503	RES, 7.5 OHM 1% 0.25W 1210 T/R	E 5
R529	A11368-7R503	RES, 7.5 OHM 1% 0.25W 1210 T/R	E 5
R530	A11368-7R503	RES, 7.5 OHM 1% 0.25W 1210 T/R	E 4
R531	A11368-7R503	RES, 7.5 OHM 1% 0.25W 1210 T/R	E 4
R532	A11368-7R503	RES, 7.5 OHM 1% 0.25W 1210 T/R	E 4
R533	A11368-7R503	RES, 7.5 OHM 1% 0.25W 1210 T/R	E 4
R534	A11368-7R503	RES, 7.5 OHM 1% 0.25W 1210 T/R	F 4
R535	A11368-7R503	RES, 7.5 OHM 1% 0.25W 1210 T/R	F 4
R536	A11368-7R503	RES, 7.5 OHM 1% 0.25W 1210 T/R	F 4
R537	A11368-7R503	RES, 7.5 OHM 1% 0.25W 1210 T/R	F 4
R538	A11368-7R503	RES, 7.5 OHM 1% 0.25W 1210 T/R	F 5
R539	A11368-7R503	RES, 7.5 OHM 1% 0.25W 1210 T/R	F 5
R540	A11368-7R503	RES, 7.5 OHM 1% 0.25W 1210 T/R	F 5
R541	A11368-7R503	RES, 7.5 OHM 1% 0.25W 1210 T/R	F 5
R542	A11368-7R503	RES, 7.5 OHM 1% 0.25W 1210 T/R	F 5
R543	A11368-7R503	RES, 7.5 OHM 1% 0.25W 1210 T/R	F 5
R544	A11368-7R503	RES, 7.5 OHM 1% 0.25W 1210 T/R	F 5
R545	A11368-7R503	RES, 7.5 OHM 1% 0.25W 1210 T/R	F 5
R546	A11368-7R503	RES, 7.5 OHM 1% 0.25W 1210 T/R	F 4
R547	A11368-7R503	RES, 7.5 OHM 1% 0.25W 1210 T/R	F 4
R548	A11368-7R503	RES, 7.5 OHM 1% 0.25W 1210 T/R	F 4
R549	A11368-7R503	RES, 7.5 OHM 1% 0.25W 1210 T/R	F 4
R550	A11368-7R503	RES, 7.5 OHM 1% 0.25W 1210 T/R	H 6
R551	A11368-7R503	RES, 7.5 OHM 1% 0.25W 1210 T/R	H 6
R552	A11368-7R503	RES, 7.5 OHM 1% 0.25W 1210 T/R	H 6
R553	A11368-7R503	RES, 7.5 OHM 1% 0.25W 1210 T/R	H 7
R554	A11368-7R503	RES, 7.5 OHM 1% 0.25W 1210 T/R	H 7
R555	A11368-7R503	RES, 7.5 OHM 1% 0.25W 1210 T/R	H 7
R556	A11368-7R503	RES, 7.5 OHM 1% 0.25W 1210 T/R	H 7
R557	A11368-7R503	RES, 7.5 OHM 1% 0.25W 1210 T/R	H 8
R558	A11368-7R503	RES, 7.5 OHM 1% 0.25W 1210 T/R	H 7
R559	A11368-7R503	RES, 7.5 OHM 1% 0.25W 1210 T/R	H 7
R560	A11368-7R503	RES, 7.5 OHM 1% 0.25W 1210 T/R	H 7
R561	A11368-7R503	RES, 7.5 OHM 1% 0.25W 1210 T/R	H 7
R562	A11368-7R503	RES, 7.5 OHM 1% 0.25W 1210 T/R	H 7
R563	A11368-7R503	RES, 7.5 OHM 1% 0.25W 1210 T/R	H 6
R564	A11368-7R503	RES, 7.5 OHM 1% 0.25W 1210 T/R	H 6
R565	A11368-7R503	RES, 7.5 OHM 1% 0.25W 1210 T/R	H 6
R566	A11368-7R503	RES, 7.5 OHM 1% 0.25W 1210 T/R	I 6
R567	A11368-7R503	RES, 7.5 OHM 1% 0.25W 1210 T/R	I 6
R568	A11368-7R503	RES, 7.5 OHM 1% 0.25W 1210 T/R	I 6
R569	A11368-7R503	RES, 7.5 OHM 1% 0.25W 1210 T/R	I 7
R570	A11368-7R503	RES, 7.5 OHM 1% 0.25W 1210 T/R	I 7

139086-14 REV. A		PWA, XT12000	600029
R571	A11368-7R503	RES, 7.5 OHM 1% 0.25W 1210 T/R	I 7
R572	A11368-7R503	RES, 7.5 OHM 1% 0.25W 1210 T/R	I 7
R573	A11368-7R503	RES, 7.5 OHM 1% 0.25W 1210 T/R	I 8
R574	A11368-7R503	RES, 7.5 OHM 1% 0.25W 1210 T/R	I 8
R575	A11368-7R503	RES, 7.5 OHM 1% 0.25W 1210 T/R	I 7
R576	A11368-7R503	RES, 7.5 OHM 1% 0.25W 1210 T/R	I 7
R577	A11368-7R503	RES, 7.5 OHM 1% 0.25W 1210 T/R	I 7
R578	A11368-7R503	RES, 7.5 OHM 1% 0.25W 1210 T/R	I 7
R579	A11368-7R503	RES, 7.5 OHM 1% 0.25W 1210 T/R	I 6
R580	A11368-7R503	RES, 7.5 OHM 1% 0.25W 1210 T/R	I 6
R581	A11368-7R503	RES, 7.5 OHM 1% 0.25W 1210 T/R	I 6
R582	A11368-7R503	RES, 7.5 OHM 1% 0.25W 1210 T/R	K 6
R583	A11368-7R503	RES, 7.5 OHM 1% 0.25W 1210 T/R	K 6
R584	A11368-7R503	RES, 7.5 OHM 1% 0.25W 1210 T/R	K 6
R585	A11368-7R503	RES, 7.5 OHM 1% 0.25W 1210 T/R	K 7
R586	A11368-7R503	RES, 7.5 OHM 1% 0.25W 1210 T/R	K 7
R587	A11368-7R503	RES, 7.5 OHM 1% 0.25W 1210 T/R	K 7
R588	A11368-7R503	RES, 7.5 OHM 1% 0.25W 1210 T/R	K 7
R589	A11368-7R503	RES, 7.5 OHM 1% 0.25W 1210 T/R	K 8
R590	A11368-7R503	RES, 7.5 OHM 1% 0.25W 1210 T/R	K 8
R591	A11368-7R503	RES, 7.5 OHM 1% 0.25W 1210 T/R	K 7
R592	A11368-7R503	RES, 7.5 OHM 1% 0.25W 1210 T/R	K 7
R593	A11368-7R503	RES, 7.5 OHM 1% 0.25W 1210 T/R	K 7
R594	A11368-7R503	RES, 7.5 OHM 1% 0.25W 1210 T/R	K 7
R595	A11368-7R503	RES, 7.5 OHM 1% 0.25W 1210 T/R	K 6
R596	A11368-7R503	RES, 7.5 OHM 1% 0.25W 1210 T/R	K 6
R597	A11368-7R503	RES, 7.5 OHM 1% 0.25W 1210 T/R	K 6
R598	A11368-7R503	RES, 7.5 OHM 1% 0.25W 1210 T/R	M 6
R599	A11368-7R503	RES, 7.5 OHM 1% 0.25W 1210 T/R	M 6
R600	A11368-7R503	RES, 7.5 OHM 1% 0.25W 1210 T/R	M 6
R601	A11368-7R503	RES, 7.5 OHM 1% 0.25W 1210 T/R	M 6
R602	A11368-7R503	RES, 7.5 OHM 1% 0.25W 1210 T/R	M 7
R603	A11368-7R503	RES, 7.5 OHM 1% 0.25W 1210 T/R	M 7
R604	A11368-7R503	RES, 7.5 OHM 1% 0.25W 1210 T/R	M 7
R605	A11368-7R503	RES, 7.5 OHM 1% 0.25W 1210 T/R	M 7
R606	A11368-7R503	RES, 7.5 OHM 1% 0.25W 1210 T/R	L 7
R607	A11368-7R503	RES, 7.5 OHM 1% 0.25W 1210 T/R	L 7
R608	A11368-7R503	RES, 7.5 OHM 1% 0.25W 1210 T/R	L 7
R609	A11368-7R503	RES, 7.5 OHM 1% 0.25W 1210 T/R	L 6
R610	A11368-7R503	RES, 7.5 OHM 1% 0.25W 1210 T/R	M 7
R611	A11368-7R503	RES, 7.5 OHM 1% 0.25W 1210 T/R	L 6
R612	A11368-7R503	RES, 7.5 OHM 1% 0.25W 1210 T/R	L 6
R613	A11368-7R503	RES, 7.5 OHM 1% 0.25W 1210 T/R	L 6
R614	A11368-7R503	RES, 7.5 OHM 1% 0.25W 1210 T/R	H 4
R615	A11368-7R503	RES, 7.5 OHM 1% 0.25W 1210 T/R	H 4
R616	A11368-7R503	RES, 7.5 OHM 1% 0.25W 1210 T/R	H 4
R617	A11368-7R503	RES, 7.5 OHM 1% 0.25W 1210 T/R	H 4
R618	A11368-7R503	RES, 7.5 OHM 1% 0.25W 1210 T/R	H 5
R619	A11368-7R503	RES, 7.5 OHM 1% 0.25W 1210 T/R	H 5
R620	A11368-7R503	RES, 7.5 OHM 1% 0.25W 1210 T/R	H 5
R621	A11368-7R503	RES, 7.5 OHM 1% 0.25W 1210 T/R	H 5
R622	A11368-7R503	RES, 7.5 OHM 1% 0.25W 1210 T/R	H 5
R623	A11368-7R503	RES, 7.5 OHM 1% 0.25W 1210 T/R	H 5
R624	A11368-7R503	RES, 7.5 OHM 1% 0.25W 1210 T/R	H 5
R625	A11368-7R503	RES, 7.5 OHM 1% 0.25W 1210 T/R	H 5
R626	A11368-7R503	RES, 7.5 OHM 1% 0.25W 1210 T/R	H 4
R627	A11368-7R503	RES, 7.5 OHM 1% 0.25W 1210 T/R	H 4
R628	A11368-7R503	RES, 7.5 OHM 1% 0.25W 1210 T/R	H 4
R629	A11368-7R503	RES, 7.5 OHM 1% 0.25W 1210 T/R	H 4

139086-14 REV. A		PWA, XT12000	600029
R630	A11368-7R503	RES, 7.5 OHM 1% 0.25W 1210 T/R	I 4
R631	A11368-7R503	RES, 7.5 OHM 1% 0.25W 1210 T/R	I 4
R632	A11368-7R503	RES, 7.5 OHM 1% 0.25W 1210 T/R	I 4
R633	A11368-7R503	RES, 7.5 OHM 1% 0.25W 1210 T/R	I 4
R634	A11368-7R503	RES, 7.5 OHM 1% 0.25W 1210 T/R	I 5
R635	A11368-7R503	RES, 7.5 OHM 1% 0.25W 1210 T/R	I 5
R636	A11368-7R503	RES, 7.5 OHM 1% 0.25W 1210 T/R	I 5
R637	A11368-7R503	RES, 7.5 OHM 1% 0.25W 1210 T/R	I 5
R638	A11368-7R503	RES, 7.5 OHM 1% 0.25W 1210 T/R	I 5
R639	A11368-7R503	RES, 7.5 OHM 1% 0.25W 1210 T/R	I 5
R640	A11368-7R503	RES, 7.5 OHM 1% 0.25W 1210 T/R	I 5
R641	A11368-7R503	RES, 7.5 OHM 1% 0.25W 1210 T/R	I 5
R642	A11368-7R503	RES, 7.5 OHM 1% 0.25W 1210 T/R	I 4
R643	A11368-7R503	RES, 7.5 OHM 1% 0.25W 1210 T/R	I 4
R644	A11368-7R503	RES, 7.5 OHM 1% 0.25W 1210 T/R	I 4
R645	A11368-7R503	RES, 7.5 OHM 1% 0.25W 1210 T/R	I 4
R646	A11368-7R503	RES, 7.5 OHM 1% 0.25W 1210 T/R	K 5
R647	A11368-7R503	RES, 7.5 OHM 1% 0.25W 1210 T/R	K 5
R648	A11368-7R503	RES, 7.5 OHM 1% 0.25W 1210 T/R	K 5
R649	A11368-7R503	RES, 7.5 OHM 1% 0.25W 1210 T/R	K 5
R650	A11368-7R503	RES, 7.5 OHM 1% 0.25W 1210 T/R	K 4
R651	A11368-7R503	RES, 7.5 OHM 1% 0.25W 1210 T/R	K 4
R652	A11368-7R503	RES, 7.5 OHM 1% 0.25W 1210 T/R	K 4
R653	A11368-7R503	RES, 7.5 OHM 1% 0.25W 1210 T/R	K 4
R654	A11368-7R503	RES, 7.5 OHM 1% 0.25W 1210 T/R	K 4
R655	A11368-7R503	RES, 7.5 OHM 1% 0.25W 1210 T/R	K 4
R656	A11368-7R503	RES, 7.5 OHM 1% 0.25W 1210 T/R	K 4
R657	A11368-7R503	RES, 7.5 OHM 1% 0.25W 1210 T/R	K 4
R658	A11368-7R503	RES, 7.5 OHM 1% 0.25W 1210 T/R	K 5
R659	A11368-7R503	RES, 7.5 OHM 1% 0.25W 1210 T/R	K 5
R660	A11368-7R503	RES, 7.5 OHM 1% 0.25W 1210 T/R	K 5
R661	A11368-7R503	RES, 7.5 OHM 1% 0.25W 1210 T/R	K 5
R662	A11368-7R503	RES, 7.5 OHM 1% 0.25W 1210 T/R	M 5
R663	A11368-7R503	RES, 7.5 OHM 1% 0.25W 1210 T/R	M 5
R664	A11368-7R503	RES, 7.5 OHM 1% 0.25W 1210 T/R	M 5
R665	A11368-7R503	RES, 7.5 OHM 1% 0.25W 1210 T/R	M 5
R666	A11368-7R503	RES, 7.5 OHM 1% 0.25W 1210 T/R	M 4
R667	A11368-7R503	RES, 7.5 OHM 1% 0.25W 1210 T/R	M 4
R668	A11368-7R503	RES, 7.5 OHM 1% 0.25W 1210 T/R	M 4
R669	A11368-7R503	RES, 7.5 OHM 1% 0.25W 1210 T/R	M 4
R670	A11368-7R503	RES, 7.5 OHM 1% 0.25W 1210 T/R	L 4
R671	A11368-7R503	RES, 7.5 OHM 1% 0.25W 1210 T/R	L 4
R672	A11368-7R503	RES, 7.5 OHM 1% 0.25W 1210 T/R	L 4
R673	A11368-7R503	RES, 7.5 OHM 1% 0.25W 1210 T/R	L 4
R674	A11368-7R503	RES, 7.5 OHM 1% 0.25W 1210 T/R	L 5
R675	A11368-7R503	RES, 7.5 OHM 1% 0.25W 1210 T/R	L 5
R676	A11368-7R503	RES, 7.5 OHM 1% 0.25W 1210 T/R	L 5
R677	A11368-7R503	RES, 7.5 OHM 1% 0.25W 1210 T/R	L 5
R678	A11368-10043	1.MOHM .25W 1% CHIP 1210	P 1
R679	A11368-10043	1.MOHM .25W 1% CHIP 1210	P 1
R680	A11368-10041	1M OHM .1W 1% CHIP 0805	P 1
R681	A11368-10003	100 OHM 0.25W 1% 1210 T/R	Q 5
R684	A11368-35700	RES, 357 OHM 1/16W 1% 0603	C 9
R685	A11368-10R00	RES, 10 OHM 1/16W 1% 0603	N 1
R686	A11368-47520	RES, 47.5 K OHM 1/16W 1% 0603	H 3
R687	A11368-20031	200K 0.1W 1% SMD CHIP 0805	G 3
R688	A11368-20031	200K 0.1W 1% SMD CHIP 0805	I 3
R689	A11368-51111	5.11KOHM .1W 1% 0805 T/R	I 3
R690	A11368-24920	RES, 24.9 KOHM 1/16W 1% 0603	I 3

139086-14 REV. A		PWA, XT12000	600029
R691	A11368-24920	RES, 24.9 KOHM 1/16W 1% 0603	H 3
R692	A11368-19120	RES, 19.1 K OHM 1/16W 1% 0603	I 3
R693	A11368-20520	RES, 20.5 KOHM 1/16W 1% 0603	I 3
R694	A11368-47520	RES, 47.5 K OHM 1/16W 1% 0603	H 3
R695	A11368-20031	200K 0.1W 1% SMD CHIP 0805	I 3
R696	A11368-20031	200K 0.1W 1% SMD CHIP 0805	G 2
R697	A11368-51111	5.11KOHM .1W 1% 0805 T/R	I 3
R698	A11368-11020	RES, 11.0 KOHM 1/16W 1% 0603	B 10
R699	A11368-49921	49.9KOHM .1W 1% CHIP 0805	B 10
R700	A11368-49921	49.9KOHM .1W 1% CHIP 0805	G 8
R701	A11368-49921	49.9KOHM .1W 1% CHIP 0805	B 10
R702	A11368-49921	49.9KOHM .1W 1% CHIP 0805	K 10
R703	A11368-49921	49.9KOHM .1W 1% CHIP 0805	K 10
R704	A11368-20001	200. OHM .1W 1% CHIP 0805	B 10
R705	A11368-49921	49.9KOHM .1W 1% CHIP 0805	J 9
R706	A11368-49921	49.9KOHM .1W 1% CHIP 0805	J 9
R707	A11368-20001	200. OHM .1W 1% CHIP 0805	C 9
R708	A11368-49921	49.9KOHM .1W 1% CHIP 0805	C 9
R709	A11368-20010	RES, 2.0 KOHM 1/16W 1% 0603	L 10
R710	A11368-10031	100.KOHM .1W 1% CHIP 0805	C 10
R711	A11368-49921	49.9KOHM .1W 1% CHIP 0805	C 9
R712	A11368-10031	100.KOHM .1W 1% CHIP 0805	D 9
R713	A11368-17411	1.74KOHM .1W 1% CHIP 0805	K 9
R714	A11368-11020	RES, 11.0 KOHM 1/16W 1% 0603	C 10
R715	A11368-32410	RES, 3.24 K OHM 1/16W 1% 0603	L 10
R716	A11368-11020	RES, 11.0 KOHM 1/16W 1% 0603	D 9
R717	A11368-49910	RES, 4.99 KOHM 1/16W 1% 0603	K 9
R718	A11368-35700	RES, 357 OHM 1/16W 1% 0603	K 9
R719	A11371-0R01	RES, 0 OHM 0805 50 MILOHM MAX	G 9
R720	A11368-49910	RES, 4.99 KOHM 1/16W 1% 0603	K 9
R721	A11368-35720	RES, 35.7K OHM 1% 1/16W 0603	K 9
R722	A11368-20001	200. OHM .1W 1% CHIP 0805	L 10
R723	A11368-20001	200. OHM .1W 1% CHIP 0805	K 9
R724	A11368-10031	100.KOHM .1W 1% CHIP 0805	L 10
R726	A11368-10031	100.KOHM .1W 1% CHIP 0805	K 9
R728	A11368-11020	RES, 11.0 KOHM 1/16W 1% 0603	L 10
R729	A11371-0R01	RES, 0 OHM 0805 50 MILOHM MAX	G 10
R730	A11368-11020	RES, 11.0 KOHM 1/16W 1% 0603	K 9
R731	A11371-0R01	RES, 0 OHM 0805 50 MILOHM MAX	G 9
R732	A11371-0R01	RES, 0 OHM 0805 50 MILOHM MAX	G 10
R733		OPEN	K 11
R734	A11368-20001	200. OHM .1W 1% CHIP 0805	B 10
R735	A11368-20001	200. OHM .1W 1% CHIP 0805	C 9
R736	A11368-20001	200. OHM .1W 1% CHIP 0805	K 10
R737	A11368-20001	200. OHM .1W 1% CHIP 0805	J 9
R738	A11368-10040	RES, 1.00 MOHM 1/16W 1% 0603	H 3
R739	A11368-10040	RES, 1.00 MOHM 1/16W 1% 0603	H 3
R740	A11368-10040	RES, 1.00 MOHM 1/16W 1% 0603	H 3
R741	A11368-10040	RES, 1.00 MOHM 1/16W 1% 0603	H 3
R742	A11368-49910	RES, 4.99 KOHM 1/16W 1% 0603	B 10
R743	A11368-49910	RES, 4.99 KOHM 1/16W 1% 0603	C 9
R744	A11368-10000	RES, 100 OHM 1/16W 1% 0603	A 6
R745	A11368-10000	RES, 100 OHM 1/16W 1% 0603	B 5
R746	A11368-10000	RES, 100 OHM 1/16W 1% 0603	H 6
R747	A11368-10000	RES, 100 OHM 1/16W 1% 0603	I 5
R748	A11368-49910	RES, 4.99 KOHM 1/16W 1% 0603	K 10
R749	A11368-49910	RES, 4.99 KOHM 1/16W 1% 0603	J 9
R750	A11368-10011	1.KOHM .1W 1% CHIP 0805	A 8
R751	A11368-10R00	RES, 10 OHM 1/16W 1% 0603	F 11

139086-14 REV. A		PWA, XT12000	600029
R752	A11368-10R00	RES, 10 OHM 1/16W 1% 0603	I 11
R753	A11368-49910	RES, 4.99 KOHM 1/16W 1% 0603	D 9
R754	A11368-71520	RES, 71.5 KOHM 1/16W 1% 0603	D 9
R755	A11368-21510	RES, 2.15 KOHM 1/16W 1% 0603	M 3
R756	A11368-49910	RES, 4.99 KOHM 1/16W 1% 0603	L 10
R757	A11368-71520	RES, 71.5 KOHM 1/16W 1% 0603	L 10
R759	A11368-49910	RES, 4.99 KOHM 1/16W 1% 0603	K 9
R760	A11368-71520	RES, 71.5 KOHM 1/16W 1% 0603	K 9
R762	A11371-15R3	RES, 15 OHM .25W 5% 1210 T/R	K 9
R763	A11371-15R3	RES, 15 OHM .25W 5% 1210 T/R	K 8
R764	A11368-28701	287 OHM .1W 1% CHIP 0805	H 3
R765	A11368-28701	287 OHM .1W 1% CHIP 0805	H 3
R766	A11368-30R13	30.1 OHM .25W 1% 1210 T/R	B 6
R767	A11368-12721	12.7K 0.1W 1% 0805 T/R	C 5
R768	A11368-30R13	30.1 OHM .25W 1% 1210 T/R	B 5
R769	A11368-12721	12.7K 0.1W 1% 0805 T/R	C 3
R770	A11368-30R13	30.1 OHM .25W 1% 1210 T/R	H 6
R771	A11368-12721	12.7K 0.1W 1% 0805 T/R	I 5
R772	A11368-30R13	30.1 OHM .25W 1% 1210 T/R	H 5
R773	A11368-12721	12.7K 0.1W 1% 0805 T/R	I 3
R774	A11368-60420	RES, 60.4K OHM 1/16W 1% 0603	D 2
R775	A11368-60420	RES, 60.4K OHM 1/16W 1% 0603	K 2
R776		OPEN	C 2
R777		OPEN	E 3
R778		OPEN	I 2
R779		OPEN	K 3
R782	A11368-22R11	22.1 OHM 0.1W 1% 0805 T/R	C 5
R783	A11368-22R11	22.1 OHM 0.1W 1% 0805 T/R	C 3
R784	A11368-22R11	22.1 OHM 0.1W 1% 0805 T/R	I 5
R785	A11368-22R11	22.1 OHM 0.1W 1% 0805 T/R	I 3
R786	A11368-24910	RES, 2.49 KOHM 1/16W 1% 0603	C 2
R787	A11368-24910	RES, 2.49 KOHM 1/16W 1% 0603	L 2
R788		OPEN	C 8
R789		OPEN	B 8
R790		OPEN	L 8
R791		OPEN	K 8
R796	A11368-11020	RES, 11.0 KOHM 1/16W 1% 0603	L 10
R797	A11368-11020	RES, 11.0 KOHM 1/16W 1% 0603	K 9
R798	A11368-13700	RES, 137 OHM 1/16W 1% 0603	D 8
R799	A11368-13700	RES, 137 OHM 1/16W 1% 0603	B 8
R800	A11368-10011	1.KOHM .1W 1% CHIP 0805	L 8
R801	A11368-10011	1.KOHM .1W 1% CHIP 0805	J 8
R802	A11368-11000	RES, 110 OHM 1% 1/16W 0603	M 8
R803	A11368-11000	RES, 110 OHM 1% 1/16W 0603	J 8
R804	A11368-10001	100 OHM 1% 0805 RES T/R	B 6
R805	A11368-10001	100 OHM 1% 0805 RES T/R	C 5
R806	A11368-10001	100 OHM 1% 0805 RES T/R	I 6
R807	A11368-10001	100 OHM 1% 0805 RES T/R	I 5
R808	A11371-0R01	RES, 0 OHM 0805 50 MILOHM MAX	L 8
R809	A11368-49910	RES, 4.99 KOHM 1/16W 1% 0603	J 2
R810	A11368-10020	RES, 10.0 KOHM 1/16W 1% 0603	J 2
R811	A11368-49910	RES, 4.99 KOHM 1/16W 1% 0603	K 1
R812	A11368-10030	RES, 100.0 KOHM 1/16W 1% 0603	J 2
R813	A11368-24920	RES, 24.9 KOHM 1/16W 1% 0603	J 2
R814	A11368-40220	RES,40.2KOHM .0625W 1% 0603T/R	J 2
R815	A11368-29421	29.4 KOHM .1W 1% 0805 T/R	J 1
R816	A11368-20003	RES, 200 OHM 1% 0.25W 1210 T/R	J 1
R817	A11368-20003	RES, 200 OHM 1% 0.25W 1210 T/R	J 1
R818	A11371-0R01	RES, 0 OHM 0805 50 MILOHM MAX	C 9

139086-14 REV. A		PWA, XT12000	600029
R819	A11371-0R01	RES, 0 OHM 0805 50 MILOHM MAX	M 9
R820	A11368-10R00	RES, 10 OHM 1/16W 1% 0603	B 10
R821	A11368-10R00	RES, 10 OHM 1/16W 1% 0603	L 9
R822	A11368-10R00	RES, 10 OHM 1/16W 1% 0603	A 10
R823	A11368-10R00	RES, 10 OHM 1/16W 1% 0603	L 9
R824	A11368-49910	RES, 4.99 KOHM 1/16W 1% 0603	N 1
R825	A11368-10020	RES, 10.0 KOHM 1/16W 1% 0603	H 2
R900	A11371-8205	82 OHM 1W 5% SMD 2512	A 3
R901	A11368-10041	1M OHM .1W 1% CHIP 0805	F 1
R902	A11368-10000	RES, 100 OHM 1/16W 1% 0603	F 1
R903	A11368-10000	RES, 100 OHM 1/16W 1% 0603	F 2
R904	A11368-49923	49.9KOHM .25W 1% CHIP 1210	P 8
R905	A11368-49923	49.9KOHM .25W 1% CHIP 1210	P 8
R906	A11371-8205	82 OHM 1W 5% SMD 2512	A 2
R907	A11371-8205	82 OHM 1W 5% SMD 2512	A 2
R908	A11371-8205	82 OHM 1W 5% SMD 2512	A 2
R918	A11368-33R20	RES, 33.2 OHM 1/16W 1% 0603	G 1
R919	A11368-33R20	RES, 33.2 OHM 1/16W 1% 0603	G 1
R920	A11368-10010	RES, 1.0 KOHM 1/16W 1% 0603	G 2
R925	A11368-33R20	RES, 33.2 OHM 1/16W 1% 0603	G 2
R926	A11368-33R20	RES, 33.2 OHM 1/16W 1% 0603	G 1
R927	A11368-33R20	RES, 33.2 OHM 1/16W 1% 0603	G 2
R928	A11368-33R20	RES, 33.2 OHM 1/16W 1% 0603	I 1
R929	A11368-33R20	RES, 33.2 OHM 1/16W 1% 0603	I 2
R931	A11368-33R20	RES, 33.2 OHM 1/16W 1% 0603	F 2
R938	A11368-10020	RES, 10.0 KOHM 1/16W 1% 0603	G 1
R939	A11368-10020	RES, 10.0 KOHM 1/16W 1% 0603	G 1
R990	A11368-47001	470 OHM, 0.10W 1% MF 0805	F 1
R993	A11368-10020	RES, 10.0 KOHM 1/16W 1% 0603	F 2
R999	A11368-10021	10K 1/10W 1% SMD 0805 T/R	I 12
RT1		OPEN	D 7
RT2		OPEN	D 4
RT3	138357-1	PRP, 101103-1 PTC .155	L 2
RT3X	C 8982-8	TO-220 XSISTOR HOLDER, PLASTIC	L 2
RT4		OPEN	J 7
RT5		OPEN	J 4
RT6	138357-1	PRP, 101103-1 PTC .155	P 3
RT6X	C 8982-8	TO-220 XSISTOR HOLDER, PLASTIC	P 3
S7	132498-1	SWITCH, DPST PUSHBUTTON VDECSA	P 1
T1	138899-1	XFMR, E55 11:8:2 125kHz	O 6
TB1		OPEN	F 12
TP1		OPEN	H 1
TP2	127064-1	TEST POINT, SMT 1206	L 11
TP3		OPEN	I 1
TP4		OPEN	I 1
TP5		OPEN	H 1
TP11		OPEN	I 1
TP12		OPEN	H 1
TP13		OPEN	H 1
TP14		OPEN	H 1
TP15		OPEN	I 1
TP16		OPEN	H 1
TP17		OPEN	H 2
TP18		OPEN	H 2
TP19		OPEN	H 1
TP20		OPEN	A 11
TP21	127064-1	TEST POINT, SMT 1206	P 5
TP22	127064-1	TEST POINT, SMT 1206	M 3
TP26	127064-1	TEST POINT, SMT 1206	M 9

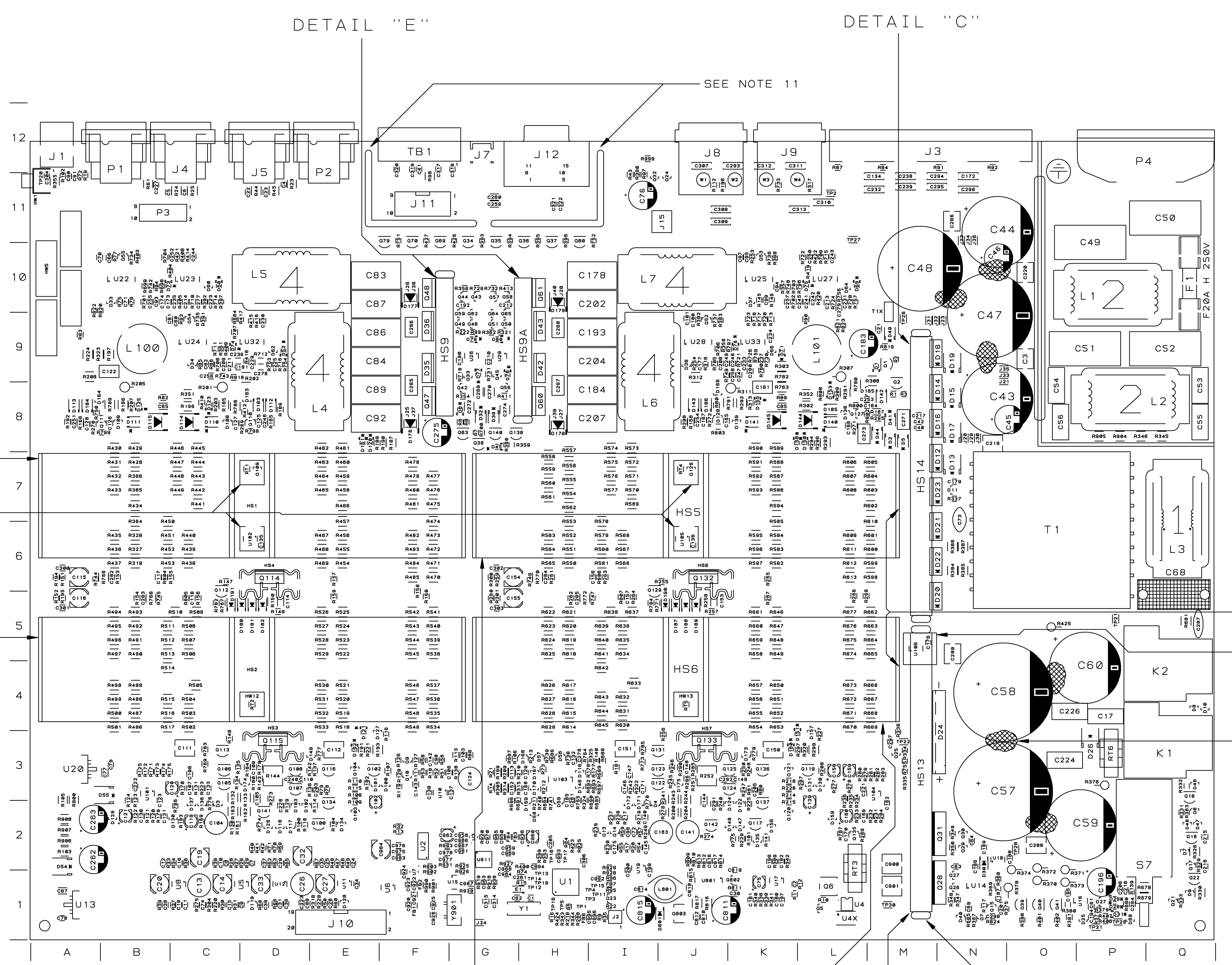
139086-14 REV. A		PWA, XTI2000	600029
TP27	127064-1	TEST POINT, SMT 1206	L 11
TP28	127064-1	TEST POINT, SMT 1206	O 2
TP29	127064-1	TEST POINT, SMT 1206	P 1
TP30	127064-1	TEST POINT, SMT 1206	M 1
TP31	127064-1	TEST POINT, SMT 1206	P 1
U1	139301-3	IC, MCU LPC2142 (PROGRAMMED)	H 1
U2	138251-1	IC, CS4272 24 BIT 192KHZ CODEC	F 2
U3	138411-1	XSISTOR, STT818B LV PWR PNP	G 2
U4		OPEN	L 1
U4X	139969-1	OPTO, SMD IEC60065 COMPLIANT	L 1
U5	C 8262-5	MC33078D LOW NOISE DUAL OP AMP	D 1
U6	126561-1	REG, +5V LOW POWER SO-8	F 1
U7	139522-1	IC, INVERTER DUAL UNBUFF NL27WZU04	F 1
U8	C 8262-5	MC33078D LOW NOISE DUAL OP AMP	C 1
U10	C 8262-5	MC33078D LOW NOISE DUAL OP AMP	F 3
U11	C 8262-5	MC33078D LOW NOISE DUAL OP AMP	E 1
U12	C 8262-5	MC33078D LOW NOISE DUAL OP AMP	D 1
U13	102484-1	REG +15V D2PAK 2.25W	A 1
U14	138341-1	IC, TL494 PWM CTRL SO-16	N 1
U15	139908-1	IC, M45PE20 256KX8 FLASH XTI(PROGRAMMED)	G 1
U16	126559-1	COMPARATOR, LM393 SO-8 DUAL	P 1
U17	133552-1	OP AMP, LM358 LOW PWR DUAL S08	K 1
U18	138908-1	DRVR, 600V HB FAN7380MX	N 2
U19	C 8262-5	MC33078D LOW NOISE DUAL OP AMP	I 2
U20	102485-1	REG -15V D2PAK 2.25W	A 3
U22	138341-1	IC, TL494 PWM CTRL SO-16	B 10
U23	C 9012-3	OP AMP, QUAD LO NOISE MC33079D	C 10
U24	138341-1	IC, TL494 PWM CTRL SO-16	C 9
U25	138341-1	IC, TL494 PWM CTRL SO-16	K 10
U26	138527-1	DRVR, 600V IR2106S HALF BRIDGE	G 9
U27	C 9012-3	OP AMP, QUAD LO NOISE MC33079D	L 10
U28	138341-1	IC, TL494 PWM CTRL SO-16	J 9
U29	138527-1	DRVR, 600V IR2106S HALF BRIDGE	G 9
U32	C 9012-3	OP AMP, QUAD LO NOISE MC33079D	D 9
U33	C 9012-3	OP AMP, QUAD LO NOISE MC33079D	K 9
U101	133552-1	OP AMP, LM358 LOW PWR DUAL S08	B 3
U102	138475-1	IC, LM75 DIGITAL THERM SENSOR	D 6
U103	C 9038-8	COMPARATOR, QUAD LM339D SO-14	H 3
U104	133552-1	OP AMP, LM358 LOW PWR DUAL S08	M 3
U105	138475-1	IC, LM75 DIGITAL THERM SENSOR	J 6
U106	138475-1	IC, LM75 DIGITAL THERM SENSOR	M 5
U801	138341-1	IC, TL494 PWM CTRL SO-16	J 1
U911	137548-1	IC, 28-BIT PROCESSOR AD1940	G 2
W1		OPEN	J 11
W2		OPEN	K 11
W3		OPEN	K 11
W4		OPEN	L 11
Y1	132014-1	XTAL, 16MHZ 20PF LOAD SMT	H 1
Y901	137778-1	OSC, 12.288MHZ	G 1

Section 2.4

XTi2000 Schematic 139086-14

REVISION HISTORY					
E. C. N.	ZONE	REV	DESCRIPTION	DATE	APPROVED
		A	SEE 139086-14_A.XLS FOR DATA AND REVISION HISTORY.	12-05-07	KLW DSV TJS

COMPONENT MAP
TOP SIDE



SEE NOTE 12

DETAIL "F"

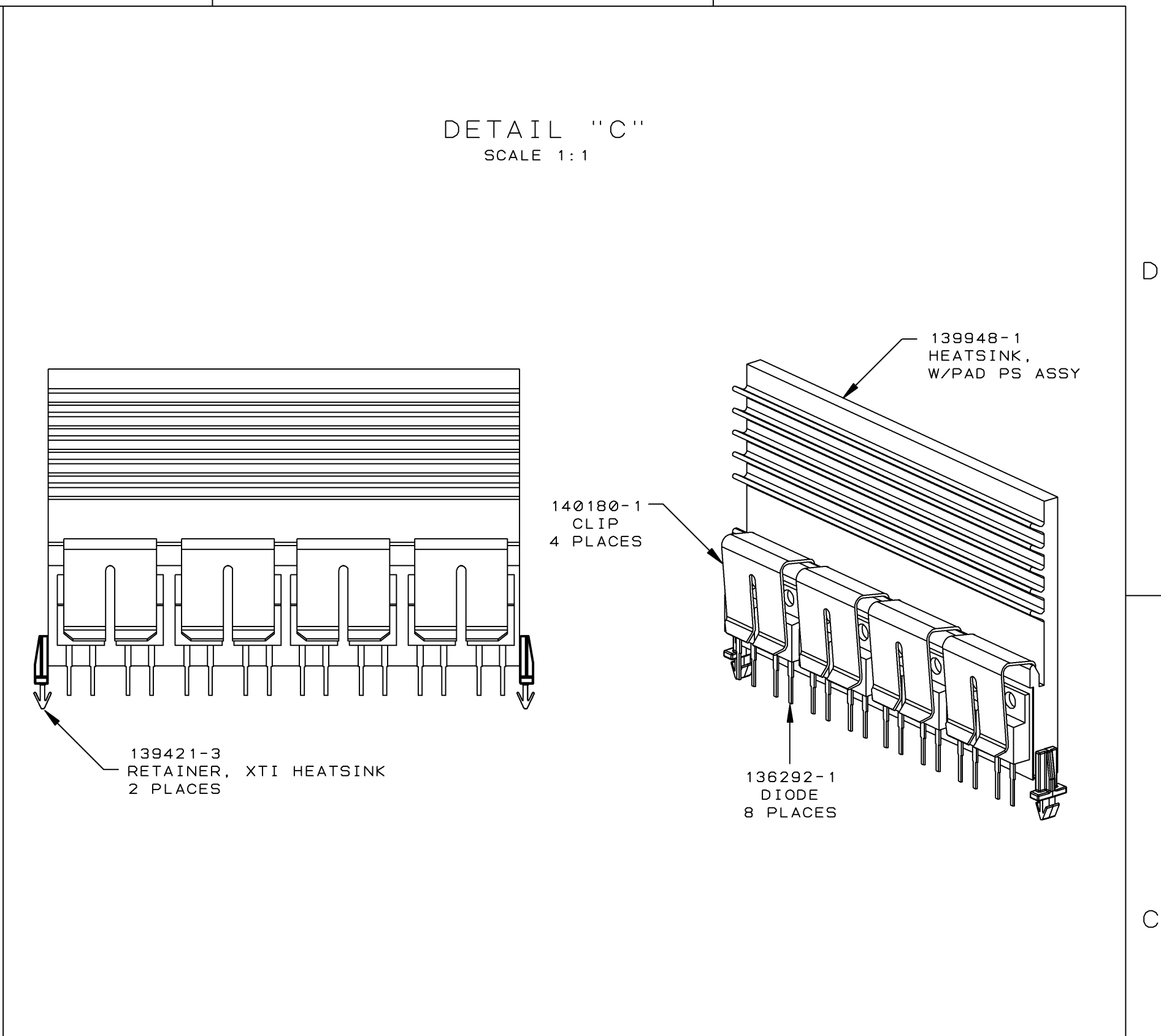
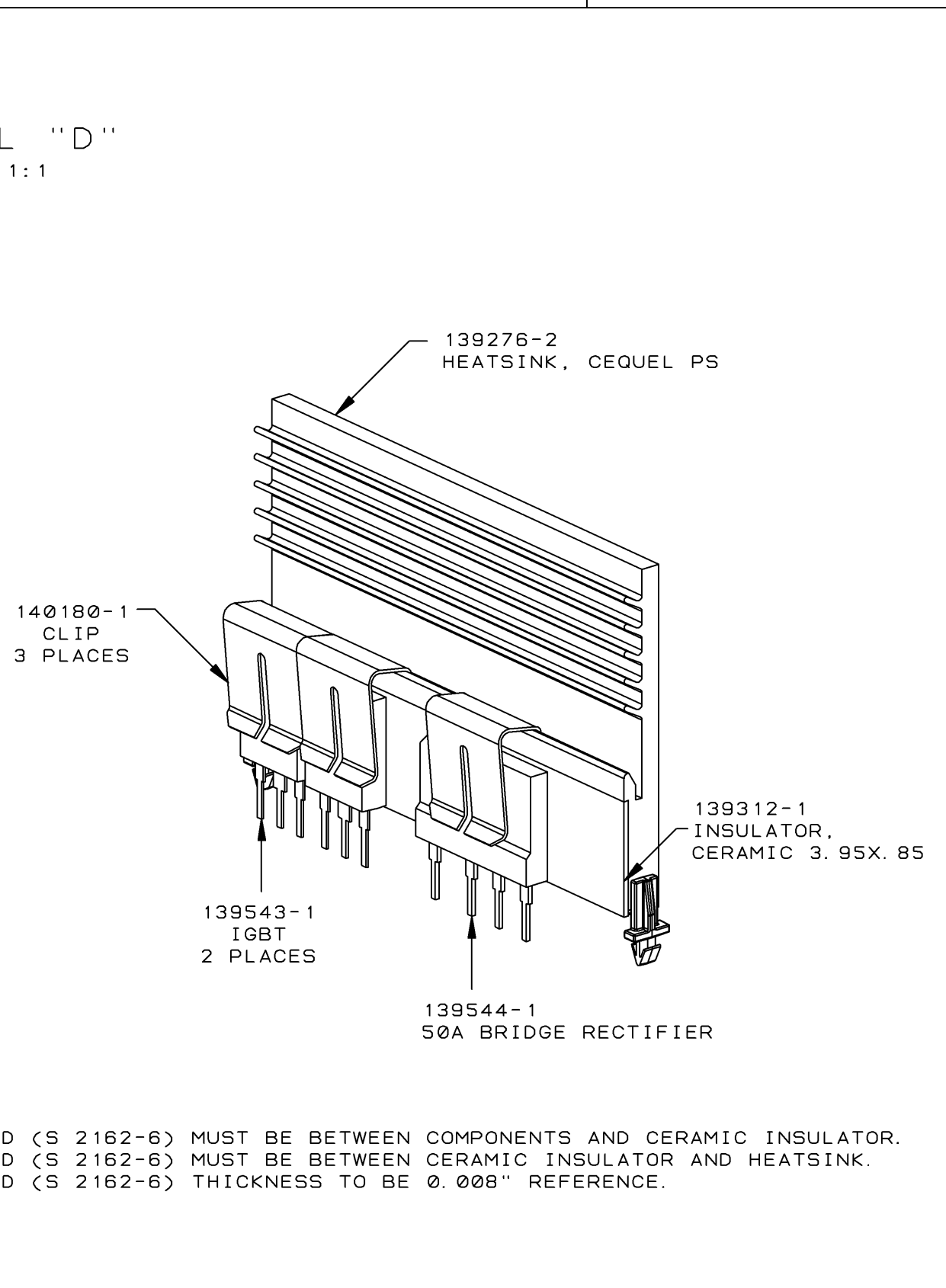
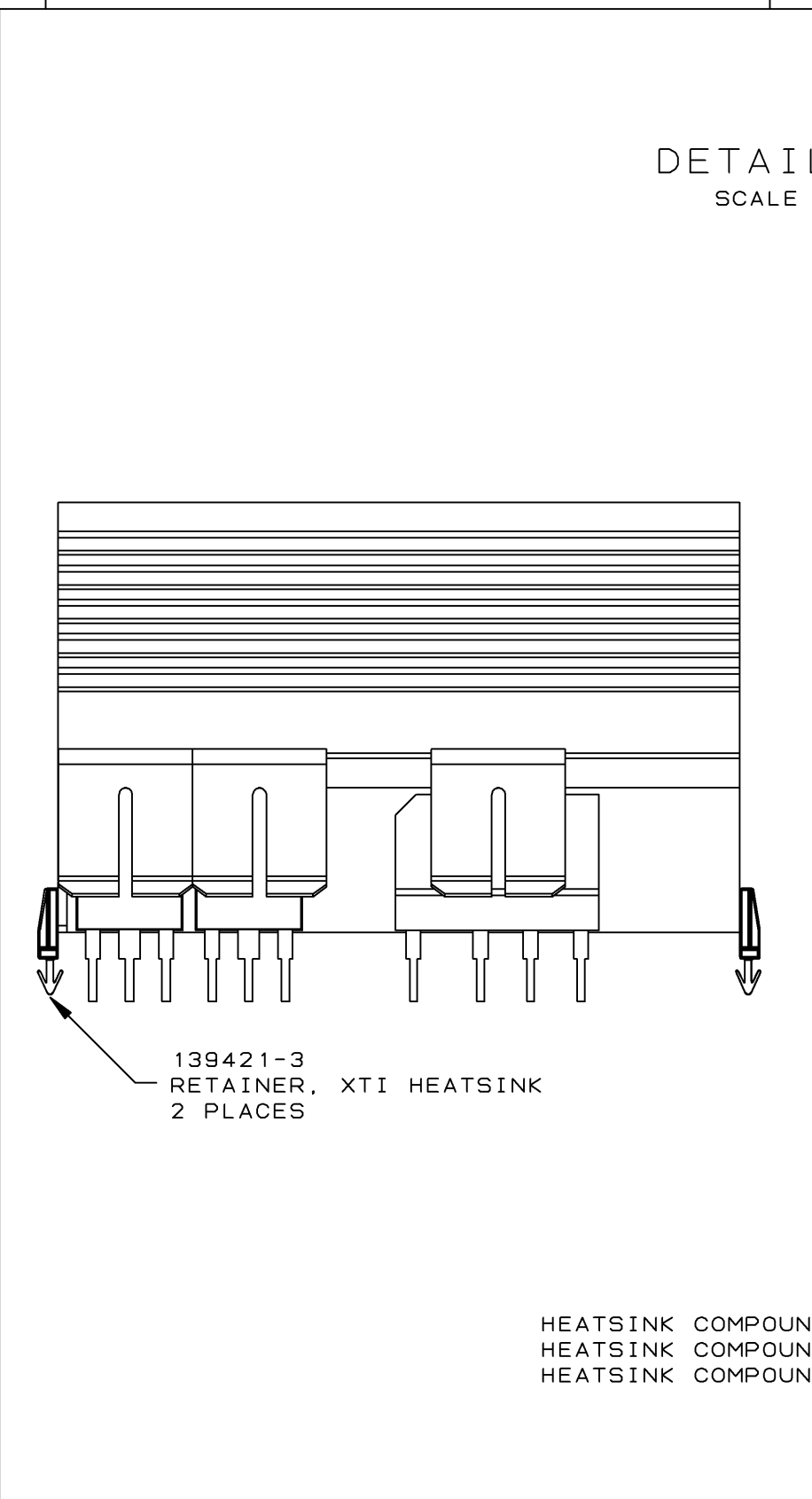
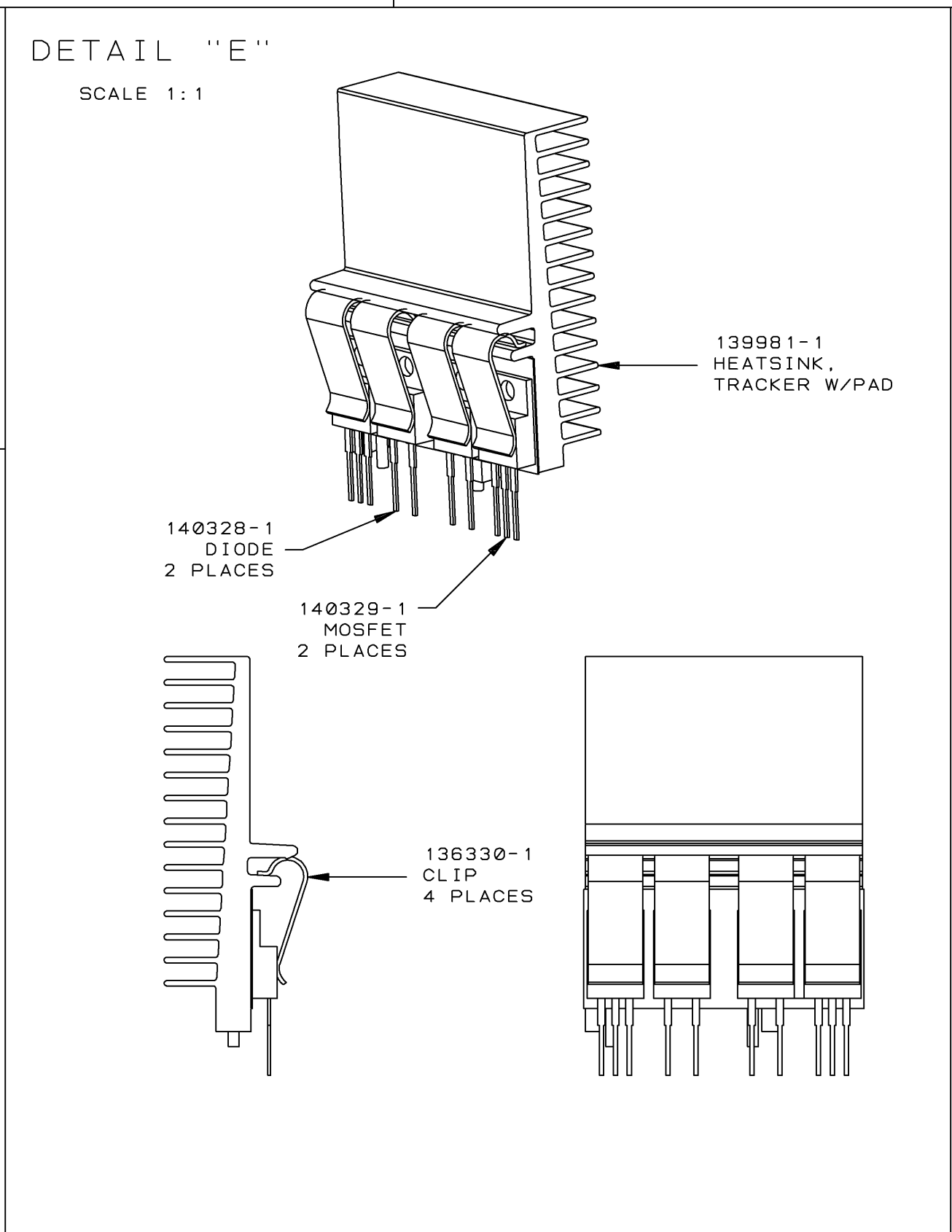
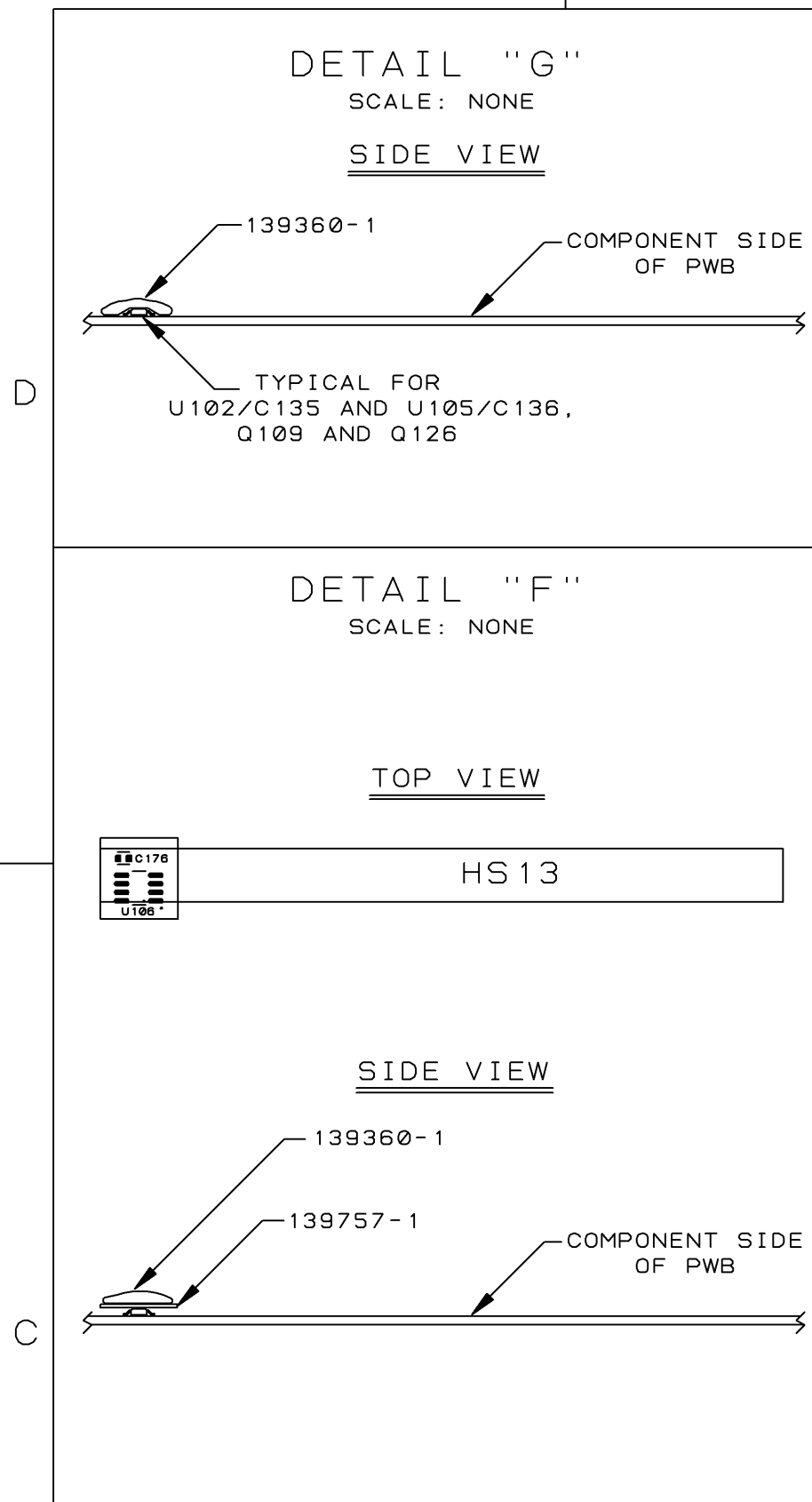
HOT MELT GLUE
6 PLACES
SHOWN FOR REFERENCE ONLY

SEE NOTES 7 & 8
(TYP. 6 PLACES)

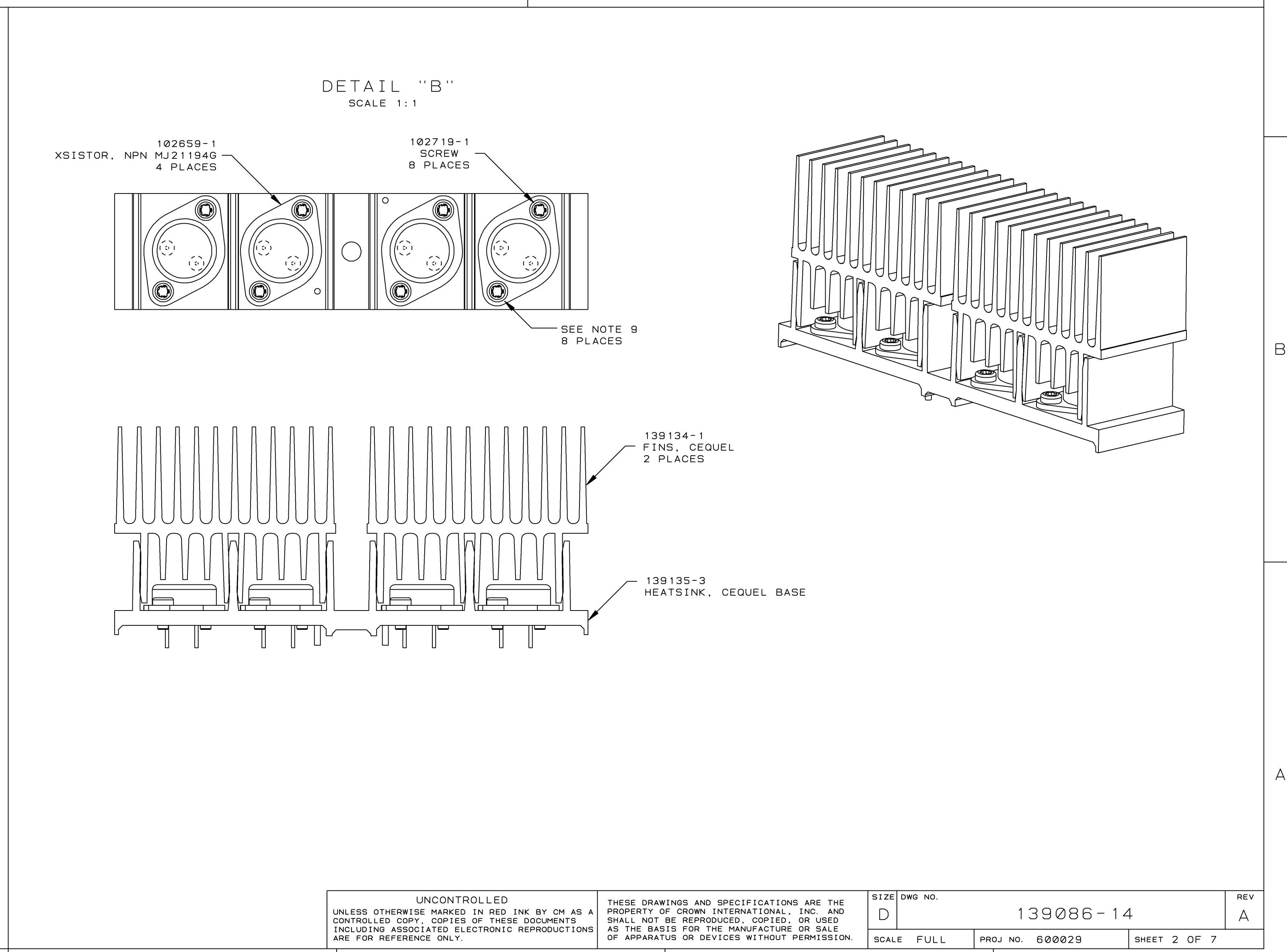
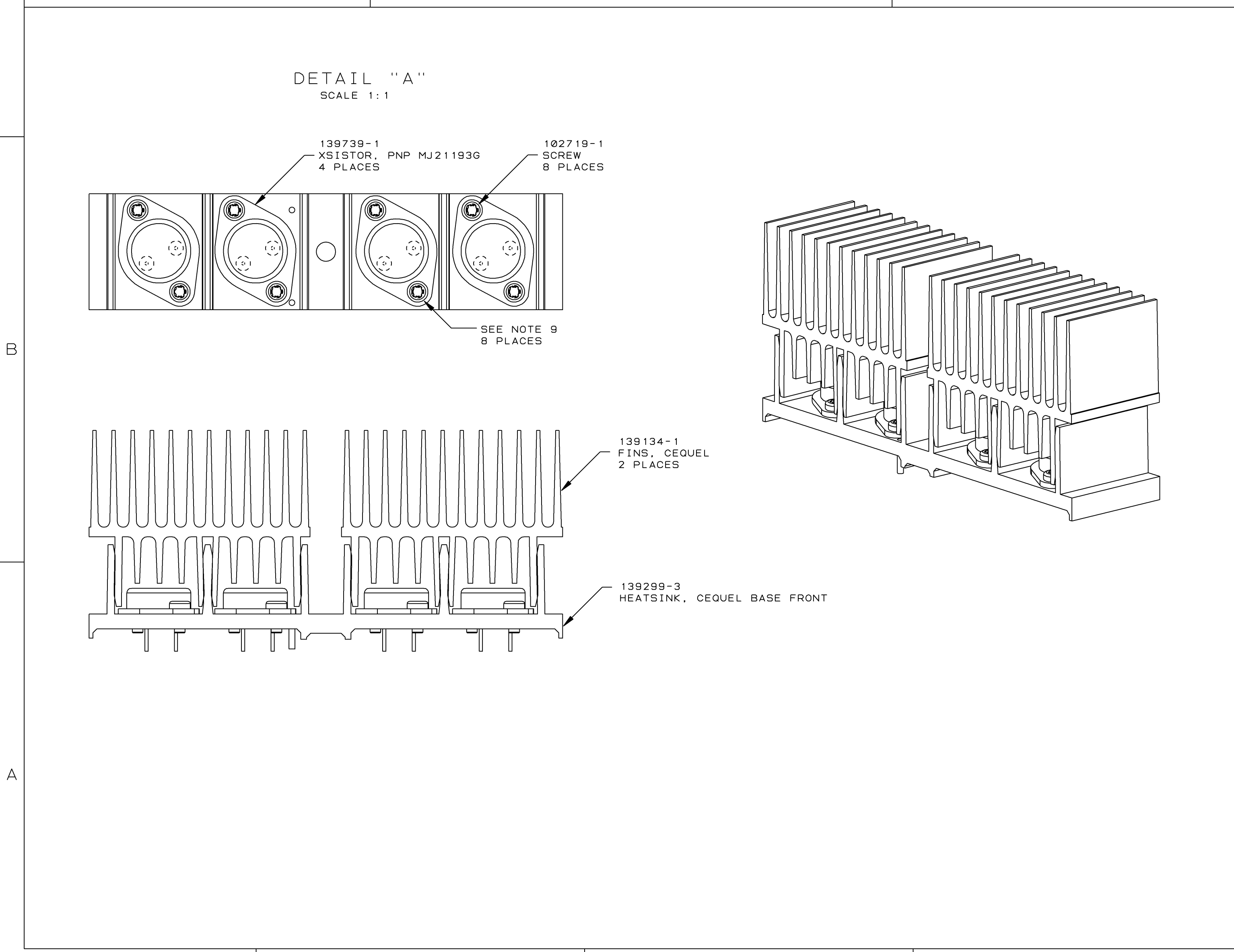
UNCONTROLLED
UNLESS OTHERWISE MARKED IN RED INK BY CM AS A
CONTROLLED COPY, COPIES OF THESE DOCUMENTS
INCLUDING ASSOCIATED ELECTRONIC REPRODUCTIONS
ARE FOR REFERENCE ONLY.

THESE DRAWINGS AND SPECIFICATIONS ARE THE
PROPERTY OF CROWN INTERNATIONAL, INC. AND
SHALL NOT BE REPRODUCED, COPIED, OR USED
AS THE BASIS FOR THE MANUFACTURE OR SALE
OF APPARATUS OR DEVICES WITHOUT PERMISSION.

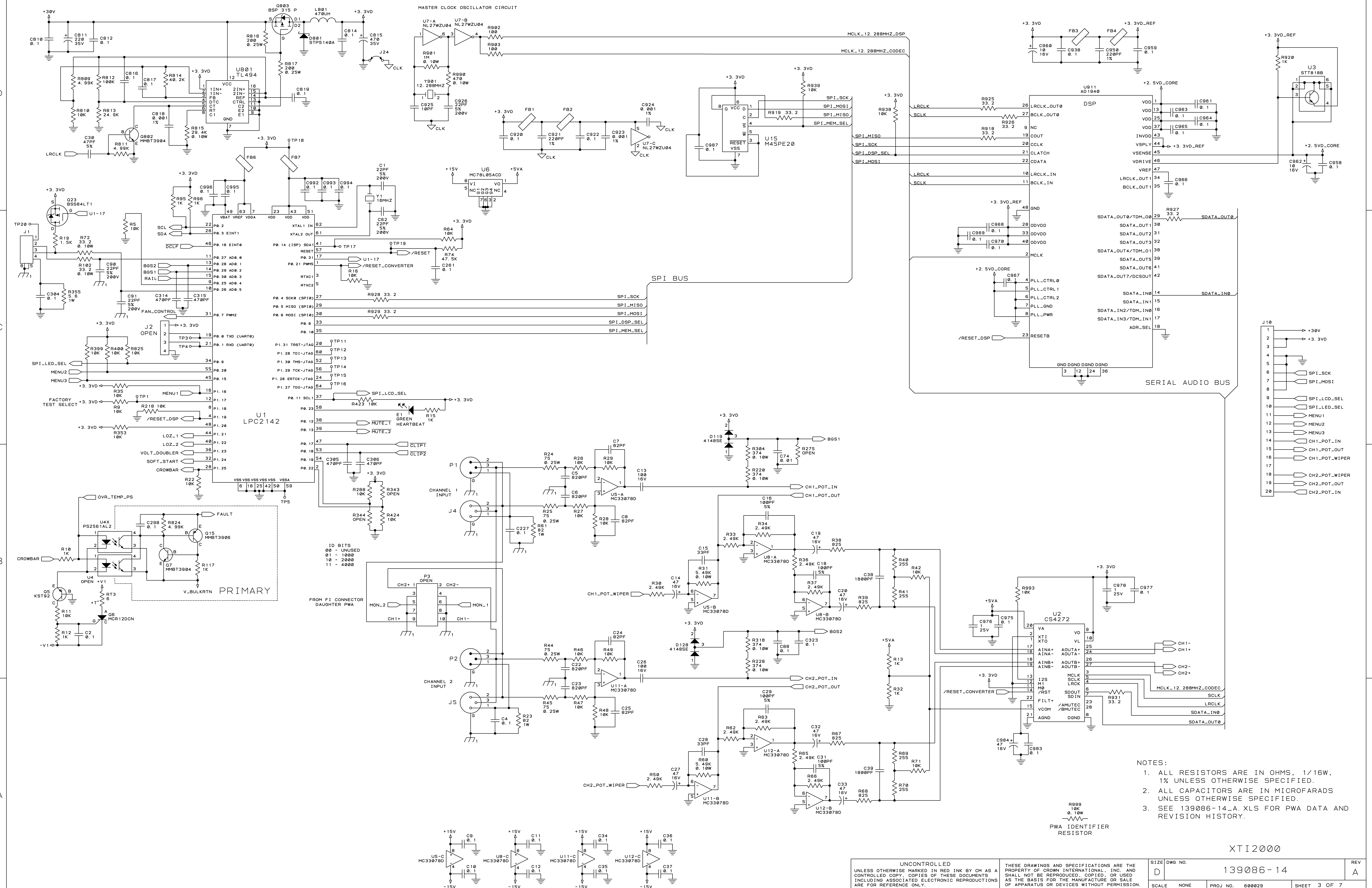
DWN	KLW	12-05-07	CROWN H A Harman International Company 1718 WEST MISHAWAKA RD. PHONE 574-284-8000 ELKHART IN. 46517 WWW.CROWNAUDIO.COM
CM	DSV	12-10-07	
PE	TJS	12-05-07	
DISTRIBUTION			TITLE
K			PWA, XT12000
FILENAME			
TOLERANCE UNLESS OTHERWISE SPECIFIED			SIZE DWG NO.
.00 = ±.02 .000 = ±.010 DRILLS = ±.003			D 139086-14
DO NOT SCALE DRAWING			REV A
SCALE FULL		PROJ. NO. 600029	SHEET 1 OF 7



HEATSINK COMPOUND (S 2162-6) MUST BE BETWEEN COMPONENTS AND CERAMIC INSULATOR.
HEATSINK COMPOUND (S 2162-6) MUST BE BETWEEN CERAMIC INSULATOR AND HEATSINK.
HEATSINK COMPOUND (S 2162-6) THICKNESS TO BE 0.008" REFERENCE.



UNCONTROLLED UNLESS OTHERWISE MARKED IN RED INK BY CM AS A CONTROLLED COPY, COPIES OF THESE DOCUMENTS INCLUDING ASSOCIATED ELECTRONIC REPRODUCTIONS ARE FOR REFERENCE ONLY.	THESE DRAWINGS AND SPECIFICATIONS ARE THE PROPERTY OF CROWN INTERNATIONAL, INC. AND SHALL NOT BE REPRODUCED, COPIED, OR USED AS THE BASIS FOR THE MANUFACTURE OR SALE OF APPARATUS OR DEVICES WITHOUT PERMISSION.		SIZE D	DWG NO. 139086-14	REV A
	SCALE FULL	PROJ NO. 600029	SHEET 2 OF 7		

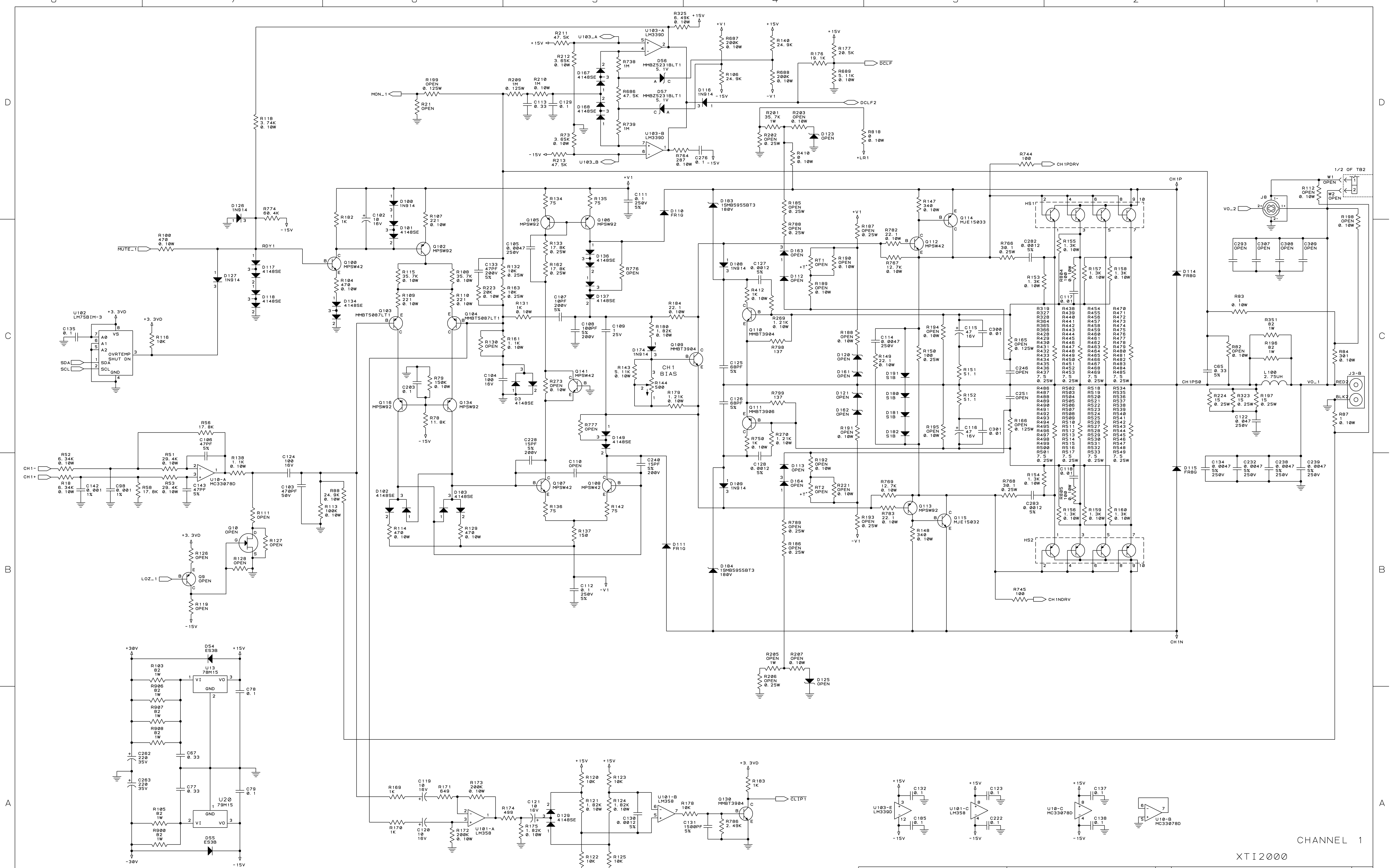


NOTES:

1. ALL RESISTORS ARE IN OHMS, 1/16W, 1% UNLESS OTHERWISE SPECIFIED.
2. ALL CAPACITORS ARE IN MICROFARADS UNLESS OTHERWISE SPECIFIED.
3. SEE 139086-14_A.XLS FOR PWA DATA AND REVISION HISTORY.

UNCONTROLLED UNLESS OTHERWISE MARKED IN RED INK BY CM AS A PROPERTY OF CROWN INTERNATIONAL, INC. AND SHALL NOT BE REPRODUCED, COPIED, OR USED AS THE BASIS FOR THE MANUFACTURE OR SALE OF APPARATUS OR DEVICES WITHOUT PERMISSION.		SIZE D	DWG NO. 139086-14	REV A
SCALE NONE	PROJ NO. 600029	SHEET 3 OF 7		

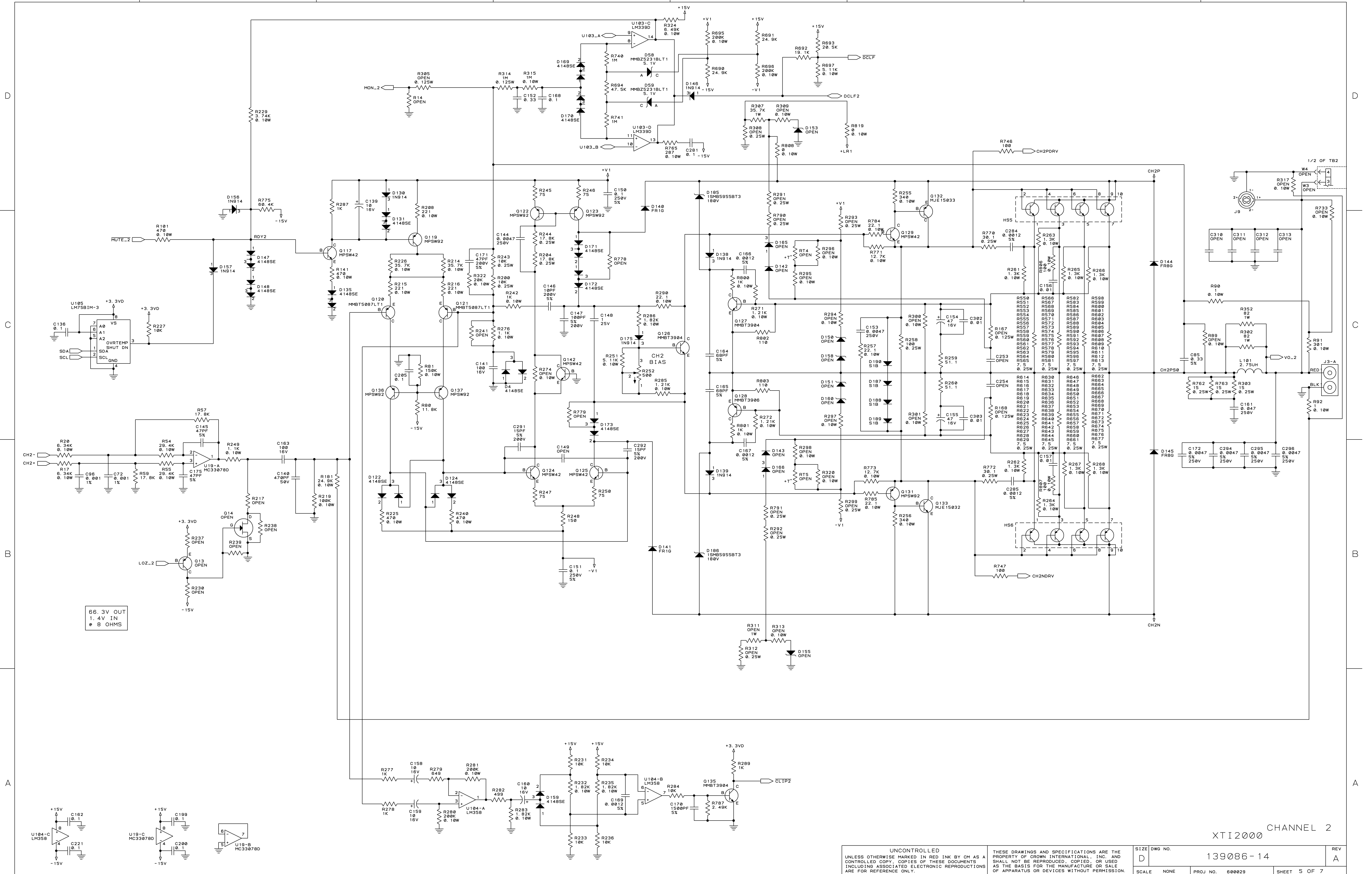
XTI2000



CHANNEL 1

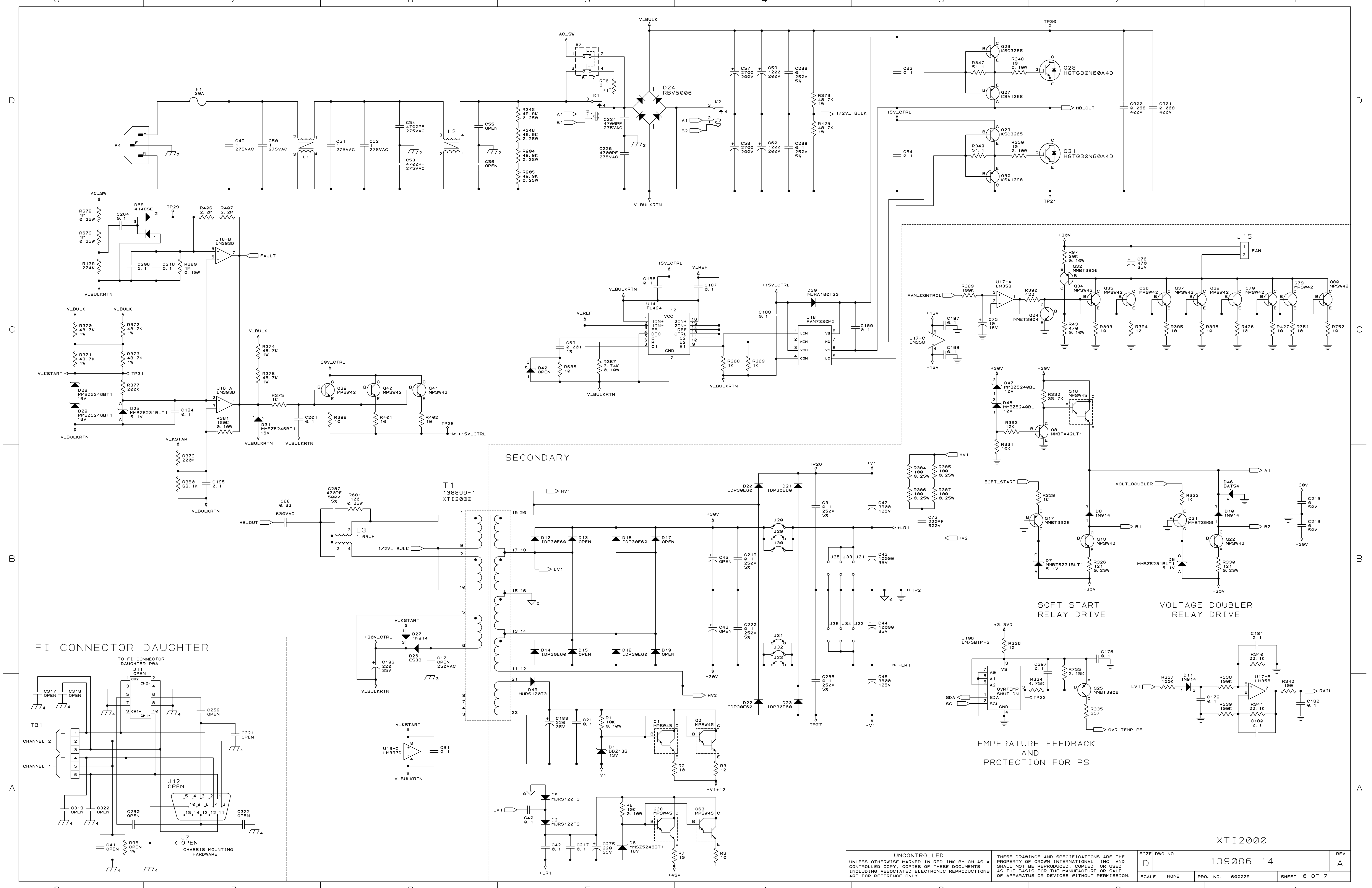
XTI2000

UNCONTROLLED UNLESS OTHERWISE MARKED IN RED INK BY CM AS A CONTROLLED COPY, COPIES OF THESE DOCUMENTS INCLUDING ASSOCIATED ELECTRONIC REPRODUCTIONS ARE FOR REFERENCE ONLY.		THESE DRAWINGS AND SPECIFICATIONS ARE THE PROPERTY OF CROWN INTERNATIONAL, INC. AND SHALL NOT BE REPRODUCED, COPIED, OR USED AS THE BASIS FOR THE MANUFACTURE OR SALE OF APPARATUS OR DEVICES WITHOUT PERMISSION.		SIZE D	DWG NO. 139086-14	REV A
SCALE NONE	PROJ NO. 600029	SHEET 4 OF 7				



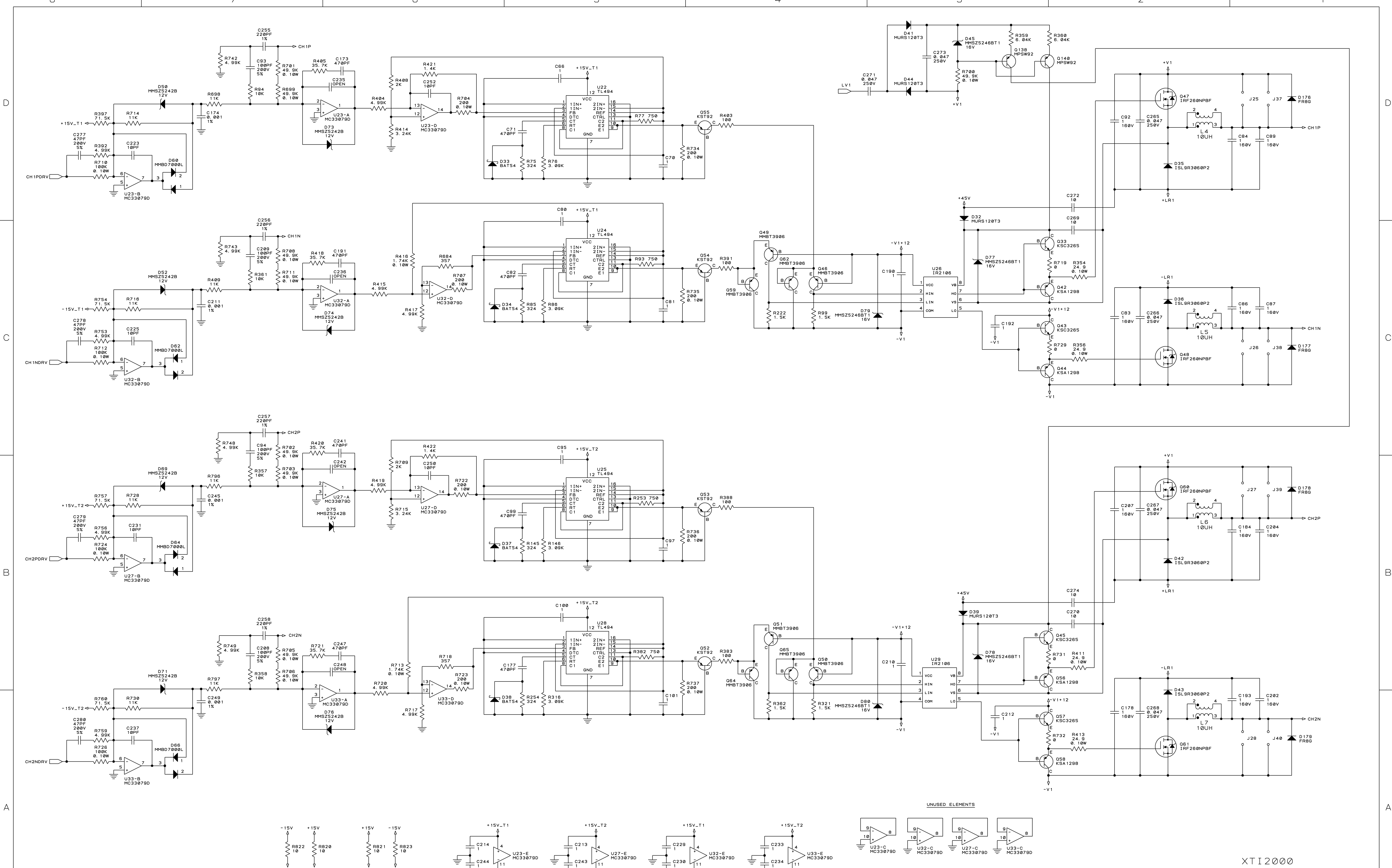
CHANNEL 2
XT12000

UNCONTROLLED UNLESS OTHERWISE MARKED IN RED INK BY CM AS A CONTROLLED COPY, COPIES OF THESE DOCUMENTS INCLUDING ASSOCIATED ELECTRONIC REPRODUCTIONS ARE FOR REFERENCE ONLY.		THESE DRAWINGS AND SPECIFICATIONS ARE THE PROPERTY OF CROWN INTERNATIONAL, INC. AND SHALL NOT BE REPRODUCED, COPIED, OR USED AS THE BASIS FOR THE MANUFACTURE OR SALE OF APPARATUS OR DEVICES WITHOUT PERMISSION.		SIZE D	DWG NO. 139086-14	REV A
SCALE NONE	PROJ NO. 600029	SHEET 5 OF 7				

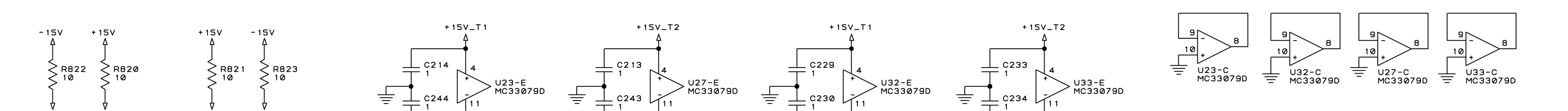


UNCONTROLLED UNLESS OTHERWISE MARKED IN RED INK BY CM AS A CONTROLLED COPY. COPIES OF THESE DOCUMENTS INCLUDING ASSOCIATED ELECTRONIC REPRODUCTIONS ARE FOR REFERENCE ONLY.		THESE DRAWINGS AND SPECIFICATIONS ARE THE PROPERTY OF CROWN INTERNATIONAL, INC. AND SHALL NOT BE REPRODUCED, COPIED, OR USED AS THE BASIS FOR THE MANUFACTURE OR SALE OF APPARATUS OR DEVICES WITHOUT PERMISSION.		SIZE D	DWG NO. 139086-14	REV A
SCALE NONE		PROJ NO. 600029		SHEET 6 OF 7		

XT12000



UNUSED ELEMENTS



XT12000

UNCONTROLLED UNLESS OTHERWISE MARKED IN RED INK BY CM AS A CONTROLLED COPY, COPIES OF THESE DOCUMENTS INCLUDING ASSOCIATED ELECTRONIC REPRODUCTIONS ARE FOR REFERENCE ONLY.		THESE DRAWINGS AND SPECIFICATIONS ARE THE PROPERTY OF CROWN INTERNATIONAL, INC. AND SHALL NOT BE REPRODUCED, COPIED, OR USED AS THE BASIS FOR THE MANUFACTURE OR SALE OF APPARATUS OR DEVICES WITHOUT PERMISSION.		SIZE D	DWG NO. 139086-14	REV A
SCALE NONE	PROJ. NO. 600029	SHEET 7 OF 7				

Section 2.5
XTi4000 BOM PWA 138349-14

REVISION HISTORY						
E.C.N	REV	DESCRIPTION	DATE	DWN	PE	CM
	A	INITIAL RELEASE DERIVED FROM 138349-14 REV 1 WITH THE FOLLOWING CHANGE: HS13B, HS13C, HS13D, HS14E, HS14F, HS14G, AND HS14H WERE 139310-1.	12/05/07	KLW	TJS	DSV

UNLESS OTHERWISE SPECIFIED, THIS PRINTED WIRING ASSEMBLY SHALL MEET THE SPECIFICATION DESCRIBED IN IPC-A-610_ CLASS 2 STANDARDS.

ROHS COMPLIANCE: THIS PART MUST COMPLY WITH CROWN AUDIO SPECIFICATION 138935 AND ROHS DIRECTIVE 2002/95/EC OR BE DEFINED AS A ROHS APPROVED EXCEPTION.

NOTES:

1. PRINTED WIRING BOARD PART NUMBER **138348-9**.
2. SEE **138349-14_A.TIF** FOR SCHEMATIC AND BOARD MAP
3. THE MAXIMUM LEAD LENGTH ON THE BOTTOM SIDE OF THE BOARD SHALL NOT EXCEED 0.145".
4. POSITION COMPONENTS AS SHOWN ON COMPONENT MAP.
5. THE PRINTED WIRING ASSEMBLY PART NUMBER FOR THIS ASSEMBLY SHALL BE MARKED ON THE PRINTED WIRING BOARD AND SHALL BE PERMANENT.
6. **DO NOT PICK-UP** THE PWA ASSEMBLY BY THE HEATSINK ASSEMBLIES
7. INSURE RETAINERS **139421-3** ARE FULLY INSERTED INTO THE POWER SUPPLY HEATSINKS.
8. INSURE RETAINERS ON THE POWER SUPPLY HEATSINK ASSEMBLIES ARE FULLY INSERTED INTO THE PWB WHEN INSTALLING
NOTE: IF RETAINER CLIP **139421-3** BREAKS AFTER SOLDERING REPAIR AS FOLLOWS:
 - REMOVE BROKEN CLIP FROM THE HEATSINK AND PWB
 - APPLY SILICONE **S 5700-0** INTO THE PWB SLOT AND GROOVE OF THE HEATSINK
 - **DO NOT ATTEMPT TO REMOVE THE HEATSINK ASSEMBLY FROM THE BOARD**
9. OUTPUT TRANSISTOR SCREWS ARE TORQUED TO 20-22 IN LBS.
10. **139360-1** IS CONSUMED IN HEATSINK ASSEMBLIES HS1, HS5 AND HS13.
11. USE SIDE CUTTERS TO SEVER THE BOARD TABS OF THE BREAKOUT BOARD, SEE COMPONENT MAP.
12. ADD **139901-1** SPACER HW3 AND HW4, BETWEEN HEATSINKS HS14 AND HS5, AND HS13 AND HS6 RESPECTIVELY



UNCONTROLLED
UNLESS OTHERWISE MARKED IN RED INK BY CM AS A CONTROLLED COPY, COPIES OF THESE DOCUMENTS INCLUDING ASSOCIATED ELECTRONIC REPRODUCTIONS ARE FOR REFERENCE ONLY
THESE DRAWINGS AND SPECIFICATIONS ARE THE PROPERTY OF CROWN INTERNATIONAL, INC. AND SHALL NOT BE REPRODUCED, COPIED, OR USED AS THE BASIS FOR THE MANUFACTURE OR SALE OF APPARATUS OR DEVICES WITHOUT PERMISSION.

DWN	KLW	12/05/07	PE	TJS	12/05/07	CM	DSV	12/10/07	DIST.	K		
-----	-----	----------	----	-----	----------	----	-----	----------	-------	---	--	--

REF. DES.	CPN	DESCRIPTION	MAP LOC.
C1	102438-220J2	22PF 200V 5% NPO 0805 T/R	H 1
C2	135505-1	CAP, 0.1UF 25V 10% X7R 0603	K 1
C3	A10434-104JD	.1UF 250V 5% MTL POLY FILM T/A	O 9
C4	135505-1	CAP, 0.1UF 25V 10% X7R 0603	D 11
C5	A11369-821K2	820PF 50V 10% NPO MLC 0805	B 11
C6	A11369-821K2	820PF 50V 10% NPO MLC 0805	C 11
C7	A11369-820K1	82PF 50V 10% NPO MLC 0603	D 2
C8	A11369-820K1	82PF 50V 10% NPO MLC 0603	C 2
C9	135505-1	CAP, 0.1UF 25V 10% X7R 0603	D 1
C10	135505-1	CAP, 0.1UF 25V 10% X7R 0603	C 2
C11	135505-1	CAP, 0.1UF 25V 10% X7R 0603	C 1
C12	135505-1	CAP, 0.1UF 25V 10% X7R 0603	B 2
C13	C 9157-6	100UF 16V 20% NP ELEC RAD T/R	C 1
C14	126623-1	47UF 16V 6.3X5.5MM 20% SMT	C 1
C15	A11369-330J1	CAP, 33PF 50V NPO 5% 0603	C 1
C16	102438-101J2	100PF 200V 5% NPO 0805 T/R	C 2
C17		OPEN	P 4
C18	102438-101J2	100PF 200V 5% NPO 0805 T/R	C 1
C19	126623-1	47UF 16V 6.3X5.5MM 20% SMT	C 2
C20	126623-1	47UF 16V 6.3X5.5MM 20% SMT	B 1
C21	A11427-104K2	.1UF 50V CHIP CAP 10% 0805 X7R	M 9
C22	A11369-821K2	820PF 50V 10% NPO MLC 0805	D 11
C23	A11369-821K2	820PF 50V 10% NPO MLC 0805	D 11
C24	A11369-820K1	82PF 50V 10% NPO MLC 0603	E 2
C25	A11369-820K1	82PF 50V 10% NPO MLC 0603	E 2
C26	C 9157-6	100UF 16V 20% NP ELEC RAD T/R	D 1
C27	126623-1	47UF 16V 6.3X5.5MM 20% SMT	E 1
C28	A11369-330J1	CAP, 33PF 50V NPO 5% 0603	E 1
C29	102438-101J2	100PF 200V 5% NPO 0805 T/R	D 2
C30	102438-470J2	47PF 200V 5% NPO 0805	K 1
C31	102438-101J2	100PF 200V 5% NPO 0805 T/R	D 1
C32	126623-1	47UF 16V 6.3X5.5MM 20% SMT	D 2
C33	126623-1	47UF 16V 6.3X5.5MM 20% SMT	D 1
C34	135505-1	CAP, 0.1UF 25V 10% X7R 0603	E 1
C35	135505-1	CAP, 0.1UF 25V 10% X7R 0603	E 2
C36	135505-1	CAP, 0.1UF 25V 10% X7R 0603	D 1
C37	135505-1	CAP, 0.1UF 25V 10% X7R 0603	D 2
C38	A11369-182J2	CAP, 1800P NPO 5% 50V 0805	B 1
C39	A11369-182J2	CAP, 1800P NPO 5% 50V 0805	D 1
C40	A11427-104K2	.1UF 50V CHIP CAP 10% 0805 X7R	M 8
C41		OPEN	F 12
C42	A11427-104K2	.1UF 50V CHIP CAP 10% 0805 X7R	M 8
C43	133569-1	CAP,10,000UF 35VDC PC MNT ELECT	N 8
C44	133569-1	CAP,10,000UF 35VDC PC MNT ELECT	N 11
C45		OPEN	O 8
C46		OPEN	N 10
C47	133323-1	CAP, 3800UF 125V ALUM ELECT	N 9
C48	133323-1	CAP, 3800UF 125V ALUM ELECT	M 10
C49	137030-1	CAP, 1UF X2 REDUCED SIZE	P 11
C50	137030-1	CAP, 1UF X2 REDUCED SIZE	Q 11
C51	137030-1	CAP, 1UF X2 REDUCED SIZE	P 9
C52	137030-1	CAP, 1UF X2 REDUCED SIZE	Q 9
C53	137455-1	CAP, 4700 PF 10% FILM Y2	Q 8
C54	137455-1	CAP, 4700 PF 10% FILM Y2	O 8
C55		OPEN	Q 8
C56		OPEN	O 8

138349-14 REV. A		PWA, XTI4000	600029
C57	134163-1	CAP, 2700UF 20% 200V ELECT	N 3
C58	134163-1	CAP, 2700UF 20% 200V ELECT	N 4
C59	131310-2	CAP,1200UF 200VDC PC MNT ELECT	P 2
C60	131310-2	CAP,1200UF 200VDC PC MNT ELECT	P 4
C61	A11427-104K2	.1UF 50V CHIP CAP 10% 0805 X7R	P 1
C62	102438-220J2	22PF 200V 5% NPO 0805 T/R	G 1
C63	135505-1	CAP, 0.1UF 25V 10% X7R 0603	N 2
C64	135505-1	CAP, 0.1UF 25V 10% X7R 0603	N 2
C65	139705-1	CAP, 0.33UF 50V 5% X7R 1206	B 8
C66	139719-1	CAP, 1.0UF 25V X7R 10% 0805	B 10
C67	139705-1	CAP, 0.33UF 50V 5% X7R 1206	A 1
C68	139004-1	CAP, 0.33UF 630V POLYPROP	Q 5
C69	A11369-102F2	1000PF 50V 1% CHIP CAP	N 1
C70	139719-1	CAP, 1.0UF 25V X7R 10% 0805	B 10
C71	A11369-471F2	470.PF 50V 1% NPO MLC 0805	B 10
C72	A11369-102F2	1000PF 50V 1% CHIP CAP	I 2
C73	133187-1	CAP,220PF 500V 10% CER DISK TR	N 7
C74	A11427-103K2	.01 UF 50V 10% X7R MLC 0805	C 1
C75	126539-1	10UF 16V 5.5MM HIGH SMD	K 1
C76	C 4477-3	470 UF 35V VERT	I 11
C77	139705-1	CAP, 0.33UF 50V 5% X7R 1206	B 3
C78	135505-1	CAP, 0.1UF 25V 10% X7R 0603	A 1
C79	135505-1	CAP, 0.1UF 25V 10% X7R 0603	B 3
C80	139719-1	CAP, 1.0UF 25V X7R 10% 0805	C 9
C81	139719-1	CAP, 1.0UF 25V X7R 10% 0805	C 9
C82	A11369-471F2	470.PF 50V 1% NPO MLC 0805	C 9
C83	138882-1	CAP, 160VDC 1.0UF POLYPROP	E 10
C84	138882-1	CAP, 160VDC 1.0UF POLYPROP	E 9
C85	139705-1	CAP, 0.33UF 50V 5% X7R 1206	K 8
C86	138882-1	CAP, 160VDC 1.0UF POLYPROP	E 9
C87	138882-1	CAP, 160VDC 1.0UF POLYPROP	E 10
C88	A11427-104K2	.1UF 50V CHIP CAP 10% 0805 X7R	D 1
C89	138882-1	CAP, 160VDC 1.0UF POLYPROP	E 8
C90	102438-220J2	22PF 200V 5% NPO 0805 T/R	A 11
C91	102438-220J2	22PF 200V 5% NPO 0805 T/R	A 11
C92	138882-1	CAP, 160VDC 1.0UF POLYPROP	E 8
C93	102438-101J2	100PF 200V 5% NPO 0805 T/R	B 10
C94	102438-101J2	100PF 200V 5% NPO 0805 T/R	K 10
C95	139719-1	CAP, 1.0UF 25V X7R 10% 0805	K 10
C96	A11369-102F2	1000PF 50V 1% CHIP CAP	I 2
C97	139719-1	CAP, 1.0UF 25V X7R 10% 0805	K 10
C98	A11369-102F2	1000PF 50V 1% CHIP CAP	F 3
C99	A11369-471F2	470.PF 50V 1% NPO MLC 0805	K 10
C100	139719-1	CAP, 1.0UF 25V X7R 10% 0805	J 9
C101	139719-1	CAP, 1.0UF 25V X7R 10% 0805	J 9
C102	126539-1	10UF 16V 5.5MM HIGH SMD	E 2
C103	A11369-471J2	CAP, 470PF 5% 50V SMT 0805	G 3
C104	C 9157-6	100UF 16V 20% NP ELEC RAD T/R	C 2
C105	103429-472K5	.0047UF 250V 10% X7R 1206 T/R	D 3
C106	102438-470J2	47PF 200V 5% NPO 0805	G 3
C107	102438-100J2	10PF 200V 5% NPO 0805	C 3
C108	102438-101J2	100PF 200V 5% NPO 0805 T/R	C 3
C109	139719-1	CAP, 1.0UF 25V X7R 10% 0805	D 3
C110		OPEN	D 3
C111	A10434-104JD	.1UF 250V 5% MTL POLY FILM T/A	C 3
C112	A10434-104JD	.1UF 250V 5% MTL POLY FILM T/A	E 3
C113	139705-1	CAP, 0.33UF 50V 5% X7R 1206	G 3
C114	103429-472K5	.0047UF 250V 10% X7R 1206 T/R	D 5
C115	126623-1	47UF 16V 6.3X5.5MM 20% SMT	A 6

138349-14 REV. A		PWA, XTI4000	600029
C116	126623-1	47UF 16V 6.3X5.5MM 20% SMT	A 5
C117	A11427-103K2	.01 UF 50V 10% X7R MLC 0805	B 6
C118	A11427-103K2	.01 UF 50V 10% X7R MLC 0805	C 5
C119	126539-1	10UF 16V 5.5MM HIGH SMD	C 2
C120	126539-1	10UF 16V 5.5MM HIGH SMD	C 3
C121	126539-1	10UF 16V 5.5MM HIGH SMD	B 2
C122	A10434-473JD	.047UF 250VDC 5% MET POLY T/A	B 9
C123	135505-1	CAP, 0.1UF 25V 10% X7R 0603	B 3
C124	C 9157-6	100UF 16V 20% NP ELEC RAD T/R	G 3
C125	A11369-680J2	CAP, 68PF 5% 50V SMT 0805	D 8
C126	A11369-680J2	CAP, 68PF 5% 50V SMT 0805	B 8
C127	A11369-122J2	0.0012UF 50V 5% NPO MLC 0805	C 8
C128	A11369-122J2	0.0012UF 50V 5% NPO MLC 0805	A 8
C129	135505-1	CAP, 0.1UF 25V 10% X7R 0603	H 3
C130	A11369-122J2	0.0012UF 50V 5% NPO MLC 0805	B 2
C131	A11369-152J2	1500PF 50V 5% NPO MLC 0805 T/R	B 2
C132	135505-1	CAP, 0.1UF 25V 10% X7R 0603	H 3
C133	102438-470J2	47PF 200V 5% NPO 0805	C 3
C134	A10434-472JD	.0047UF 250VDC 5% MET POLY T/A	M 11
C135	135505-1	CAP, 0.1UF 25V 10% X7R 0603	D 6
C136	135505-1	CAP, 0.1UF 25V 10% X7R 0603	J 6
C137	135505-1	CAP, 0.1UF 25V 10% X7R 0603	G 3
C138	135505-1	CAP, 0.1UF 25V 10% X7R 0603	F 3
C139	126539-1	10UF 16V 5.5MM HIGH SMD	L 2
C140	A11369-471J2	CAP, 470PF 5% 50V SMT 0805	I 2
C141	C 9157-6	100UF 16V 20% NP ELEC RAD T/R	J 2
C142	A11369-102F2	1000PF 50V 1% CHIP CAP	F 3
C143	102438-470J2	47PF 200V 5% NPO 0805	F 3
C144	103429-472K5	.0047UF 250V 10% X7R 1206 T/R	J 3
C145	102438-470J2	47PF 200V 5% NPO 0805	I 2
C146	102438-100J2	10PF 200V 5% NPO 0805	I 3
C147	102438-101J2	100PF 200V 5% NPO 0805 T/R	I 3
C148	139719-1	CAP, 1.0UF 25V X7R 10% 0805	J 3
C149		OPEN	K 3
C150	A10434-104JD	.1UF 250V 5% MTL POLY FILM T/A	K 3
C151	A10434-104JD	.1UF 250V 5% MTL POLY FILM T/A	I 3
C152	139705-1	CAP, 0.33UF 50V 5% X7R 1206	G 3
C153	103429-472K5	.0047UF 250V 10% X7R 1206 T/R	J 5
C154	126623-1	47UF 16V 6.3X5.5MM 20% SMT	G 6
C155	126623-1	47UF 16V 6.3X5.5MM 20% SMT	G 5
C156	A11427-103K2	.01 UF 50V 10% X7R MLC 0805	I 6
C157	A11427-103K2	.01 UF 50V 10% X7R MLC 0805	I 5
C158	126539-1	10UF 16V 5.5MM HIGH SMD	L 3
C159	126539-1	10UF 16V 5.5MM HIGH SMD	L 3
C160	126539-1	10UF 16V 5.5MM HIGH SMD	L 2
C161	A10434-473JD	.047UF 250VDC 5% MET POLY T/A	K 8
C162	135505-1	CAP, 0.1UF 25V 10% X7R 0603	M 2
C163	C 9157-6	100UF 16V 20% NP ELEC RAD T/R	J 2
C164	A11369-680J2	CAP, 68PF 5% 50V SMT 0805	M 8
C165	A11369-680J2	CAP, 68PF 5% 50V SMT 0805	J 8
C166	A11369-122J2	0.0012UF 50V 5% NPO MLC 0805	L 8
C167	A11369-122J2	0.0012UF 50V 5% NPO MLC 0805	J 8
C168	135505-1	CAP, 0.1UF 25V 10% X7R 0603	H 3
C169	A11369-122J2	0.0012UF 50V 5% NPO MLC 0805	L 2
C170	A11369-152J2	1500PF 50V 5% NPO MLC 0805 T/R	L 2
C171	102438-470J2	47PF 200V 5% NPO 0805	I 3
C172	A10434-472JD	.0047UF 250VDC 5% MET POLY T/A	N 11
C173	A11369-471F2	470.PF 50V 1% NPO MLC 0805	B 10
C174	A11369-102F2	1000PF 50V 1% CHIP CAP	B 10

138349-14 REV. A		PWA, XTI4000	600029
C175	102438-470J2	47PF 200V 5% NPO 0805	I 2
C176	135505-1	CAP, 0.1UF 25V 10% X7R 0603	M 5
C177	A11369-471F2	470.PF 50V 1% NPO MLC 0805	J 9
C178	138882-1	CAP, 160VDC 1.0UF POLYPROP	I 10
C179	135505-1	CAP, 0.1UF 25V 10% X7R 0603	N 7
C180	135505-1	CAP, 0.1UF 25V 10% X7R 0603	K 1
C181	135505-1	CAP, 0.1UF 25V 10% X7R 0603	K 1
C182	135505-1	CAP, 0.1UF 25V 10% X7R 0603	K 2
C183	131015-1	220UF 35V 20% RAD ELECT T/A	L 9
C184	138882-1	CAP, 160VDC 1.0UF POLYPROP	I 8
C185	135505-1	CAP, 0.1UF 25V 10% X7R 0603	H 3
C186	135505-1	CAP, 0.1UF 25V 10% X7R 0603	N 2
C187	135505-1	CAP, 0.1UF 25V 10% X7R 0603	N 1
C188	135505-1	CAP, 0.1UF 25V 10% X7R 0603	O 2
C189	135505-1	CAP, 0.1UF 25V 10% X7R 0603	N 2
C190	139719-1	CAP, 1.0UF 25V X7R 10% 0805	G 9
C191	A11369-471F2	470.PF 50V 1% NPO MLC 0805	C 9
C192	139719-1	CAP, 1.0UF 25V X7R 10% 0805	G 10
C193	138882-1	CAP, 160VDC 1.0UF POLYPROP	I 9
C194	135505-1	CAP, 0.1UF 25V 10% X7R 0603	P 1
C195	135505-1	CAP, 0.1UF 25V 10% X7R 0603	O 1
C196	131015-1	220UF 35V 20% RAD ELECT T/A	P 1
C197	135505-1	CAP, 0.1UF 25V 10% X7R 0603	K 1
C198	135505-1	CAP, 0.1UF 25V 10% X7R 0603	K 2
C199	135505-1	CAP, 0.1UF 25V 10% X7R 0603	I 2
C200	135505-1	CAP, 0.1UF 25V 10% X7R 0603	I 2
C201	135505-1	CAP, 0.1UF 25V 10% X7R 0603	N 1
C202	138882-1	CAP, 160VDC 1.0UF POLYPROP	I 10
C203	135505-1	CAP, 0.1UF 25V 10% X7R 0603	E 3
C204	138882-1	CAP, 160VDC 1.0UF POLYPROP	I 9
C205	135505-1	CAP, 0.1UF 25V 10% X7R 0603	K 3
C206	135505-1	CAP, 0.1UF 25V 10% X7R 0603	P 1
C207	138882-1	CAP, 160VDC 1.0UF POLYPROP	I 8
C208	102438-101J2	100PF 200V 5% NPO 0805 T/R	J 9
C209	102438-101J2	100PF 200V 5% NPO 0805 T/R	C 9
C210	139719-1	CAP, 1.0UF 25V X7R 10% 0805	G 9
C211	A11369-102F2	1000PF 50V 1% CHIP CAP	C 9
C212	139719-1	CAP, 1.0UF 25V X7R 10% 0805	G 10
C213	139719-1	CAP, 1.0UF 25V X7R 10% 0805	L 10
C214	139719-1	CAP, 1.0UF 25V X7R 10% 0805	C 10
C215	A11427-104K2	.1UF 50V CHIP CAP 10% 0805 X7R	Q 2
C216	A11427-104K2	.1UF 50V CHIP CAP 10% 0805 X7R	Q 2
C217	A11427-104K2	.1UF 50V CHIP CAP 10% 0805 X7R	M 8
C218	135505-1	CAP, 0.1UF 25V 10% X7R 0603	P 1
C219	A10434-104JD	.1UF 250V 5% MTL POLY FILM T/A	N 8
C220	A10434-104JD	.1UF 250V 5% MTL POLY FILM T/A	O 10
C221	135505-1	CAP, 0.1UF 25V 10% X7R 0603	L 3
C222	135505-1	CAP, 0.1UF 25V 10% X7R 0603	B 3
C223	A11369-100J1	CAP, 10PF 5% 50V NPO 0603	C 10
C224	137455-1	CAP, 4700 PF 10% FILM Y2	O 3
C225	A11369-100J1	CAP, 10PF 5% 50V NPO 0603	D 9
C226	137455-1	CAP, 4700 PF 10% FILM Y2	O 4
C227	135505-1	CAP, 0.1UF 25V 10% X7R 0603	B 11
C228	102438-150J2	CAP, 15PF 5% 200V NPO 0805	D 2
C229	139719-1	CAP, 1.0UF 25V X7R 10% 0805	D 9
C230	139719-1	CAP, 1.0UF 25V X7R 10% 0805	D 9
C231	A11369-100J1	CAP, 10PF 5% 50V NPO 0603	L 10
C232	A10434-472JD	.0047UF 250VDC 5% MET POLY T/A	M 11
C233	139719-1	CAP, 1.0UF 25V X7R 10% 0805	K 9

138349-14 REV. A		PWA, XTI4000	600029
C234	139719-1	CAP, 1.0UF 25V X7R 10% 0805	K 9
C235		OPEN	C 10
C236		OPEN	C 9
C237	A11369-100J1	CAP, 10PF 5% 50V NPO 0603	K 9
C238	A10434-472JD	.0047UF 250VDC 5% MET POLY T/A	M 11
C239	A10434-472JD	.0047UF 250VDC 5% MET POLY T/A	M 11
C240	102438-150J2	CAP, 15PF 5% 200V NPO 0805	D 3
C241	A11369-471F2	470.PF 50V 1% NPO MLC 0805	L 10
C242		OPEN	L 10
C243	139719-1	CAP, 1.0UF 25V X7R 10% 0805	L 10
C244	139719-1	CAP, 1.0UF 25V X7R 10% 0805	C 10
C245	A11369-102F2	1000PF 50V 1% CHIP CAP	L 10
C246		OPEN	D 8
C247	A11369-471F2	470.PF 50V 1% NPO MLC 0805	K 9
C248		OPEN	K 9
C249	A11369-102F2	1000PF 50V 1% CHIP CAP	J 9
C250	A11369-100J1	CAP, 10PF 5% 50V NPO 0603	L 10
C251		OPEN	A 8
C252	A11369-100J1	CAP, 10PF 5% 50V NPO 0603	C 10
C253		OPEN	M 8
C254		OPEN	J 8
C255	102438-221F2	220PF 200V 1% NPO 0805	B 10
C256	102438-221F2	220PF 200V 1% NPO 0805	C 9
C257	102438-221F2	220PF 200V 1% NPO 0805	K 10
C258	102438-221F2	220PF 200V 1% NPO 0805	K 9
C259		OPEN	G 11
C260		OPEN	G 11
C261	A11427-104K2	.1UF 50V CHIP CAP 10% 0805 X7R	H 1
C262	131015-1	220UF 35V 20% RAD ELECT T/A	A 2
C263	131015-1	220UF 35V 20% RAD ELECT T/A	A 2
C264	A11427-104K2	.1UF 50V CHIP CAP 10% 0805 X7R	P 1
C265	A10434-473JD	.047UF 250VDC 5% MET POLY T/A	F 8
C266	A10434-473JD	.047UF 250VDC 5% MET POLY T/A	F 9
C267	A10434-473JD	.047UF 250VDC 5% MET POLY T/A	H 8
C268	A10434-473JD	.047UF 250VDC 5% MET POLY T/A	H 9
C269	138196-1	CAP, 10UF X7R 10% 25V 1210 T/R	G 8
C270	138196-1	CAP, 10UF X7R 10% 25V 1210 T/R	G 8
C271	A10434-473JD	.047UF 250VDC 5% MET POLY T/A	M 8
C272	138196-1	CAP, 10UF X7R 10% 25V 1210 T/R	G 8
C273	A10434-473JD	.047UF 250VDC 5% MET POLY T/A	L 8
C274	138196-1	CAP, 10UF X7R 10% 25V 1210 T/R	G 8
C275	131015-1	220UF 35V 20% RAD ELECT T/A	F 8
C276	135505-1	CAP, 0.1UF 25V 10% X7R 0603	H 3
C277	102438-470J2	47PF 200V 5% NPO 0805	C 10
C278	102438-470J2	47PF 200V 5% NPO 0805	D 9
C279	102438-470J2	47PF 200V 5% NPO 0805	L 10
C280	102438-470J2	47PF 200V 5% NPO 0805	K 9
C281	135505-1	CAP, 0.1UF 25V 10% X7R 0603	H 3
C282	A11369-122J2	0.0012UF 50V 5% NPO MLC 0805	B 6
C283	A11369-122J2	0.0012UF 50V 5% NPO MLC 0805	B 5
C284	A11369-122J2	0.0012UF 50V 5% NPO MLC 0805	H 6
C285	A11369-122J2	0.0012UF 50V 5% NPO MLC 0805	H 5
C286	A10434-104JD	.1UF 250V 5% MTL POLY FILM T/A	N 11
C287	134791-1	CAP, 470 PF 500V N1500 DISC	Q 5
C288	A10434-104JD	.1UF 250V 5% MTL POLY FILM T/A	O 2
C289	A10434-104JD	.1UF 250V 5% MTL POLY FILM T/A	N 5
C291	102438-150J2	CAP, 15PF 5% 200V NPO 0805	J 2
C292	102438-150J2	CAP, 15PF 5% 200V NPO 0805	J 3
C293		OPEN	K 12

138349-14 REV. A		PWA, XTI4000	600029
C294	A10434-472JD	.0047UF 250VDC 5% MET POLY T/A	N 11
C295	A10434-472JD	.0047UF 250VDC 5% MET POLY T/A	N 11
C296	A10434-472JD	.0047UF 250VDC 5% MET POLY T/A	N 11
C297	135505-1	CAP, 0.1UF 25V 10% X7R 0603	M 3
C298	135505-1	CAP, 0.1UF 25V 10% X7R 0603	N 1
C300	A11427-103K2	.01 UF 50V 10% X7R MLC 0805	A 6
C301	A11427-103K2	.01 UF 50V 10% X7R MLC 0805	A 5
C302	A11427-103K2	.01 UF 50V 10% X7R MLC 0805	G 6
C303	A11427-103K2	.01 UF 50V 10% X7R MLC 0805	G 5
C304	135505-1	CAP, 0.1UF 25V 10% X7R 0603	A 11
C305	A11369-471J2	CAP, 470PF 5% 50V SMT 0805	H 2
C306	A11369-471J2	CAP, 470PF 5% 50V SMT 0805	H 2
C307		OPEN	J 12
C308		OPEN	J 11
C309		OPEN	J 11
C310		OPEN	L 11
C311		OPEN	K 12
C312		OPEN	K 12
C313		OPEN	L 11
C314	A11369-471J2	CAP, 470PF 5% 50V SMT 0805	G 1
C315	A11369-471J2	CAP, 470PF 5% 50V SMT 0805	G 1
C317		OPEN	F 12
C318		OPEN	G 12
C319		OPEN	F 12
C320		OPEN	F 12
C321		OPEN	H 11
C322		OPEN	H 11
C323	135505-1	CAP, 0.1UF 25V 10% X7R 0603	D 1
C810	A11427-104K2	.1UF 50V CHIP CAP 10% 0805 X7R	J 1
C811	131015-1	220UF 35V 20% RAD ELECT T/A	J 1
C812	A11427-104K2	.1UF 50V CHIP CAP 10% 0805 X7R	J 1
C814	135505-1	CAP, 0.1UF 25V 10% X7R 0603	I 1
C815	C 4477-3	470 UF 35V VERT	I 1
C816	135505-1	CAP, 0.1UF 25V 10% X7R 0603	J 2
C817	A11427-104K2	.1UF 50V CHIP CAP 10% 0805 X7R	J 2
C818	A11369-102F2	1000PF 50V 1% CHIP CAP	J 1
C819	135505-1	CAP, 0.1UF 25V 10% X7R 0603	K 2
C900	125434-1	CAP,.068UF 400V FILM POLYESTER	M 2
C901	125434-1	CAP,.068UF 400V FILM POLYESTER	M 1
C920	135505-1	CAP, 0.1UF 25V 10% X7R 0603	F 1
C921	102438-221F2	220PF 200V 1% NPO 0805	F 1
C922	135505-1	CAP, 0.1UF 25V 10% X7R 0603	F 1
C923	A11369-102F2	1000PF 50V 1% CHIP CAP	F 1
C924	A11369-102F2	1000PF 50V 1% CHIP CAP	F 1
C925	A11369-100J1	CAP, 10PF 5% 50V NPO 0603	F 1
C926	102438-220J2	22PF 200V 5% NPO 0805 T/R	F 1
C938	135505-1	CAP, 0.1UF 25V 10% X7R 0603	H 2
C950	102438-221F2	220PF 200V 1% NPO 0805	G 2
C958	135505-1	CAP, 0.1UF 25V 10% X7R 0603	G 2
C959	135505-1	CAP, 0.1UF 25V 10% X7R 0603	G 2
C960	126539-1	10UF 16V 5.5MM HIGH SMD	H 2
C961	135505-1	CAP, 0.1UF 25V 10% X7R 0603	G 2
C962	126539-1	10UF 16V 5.5MM HIGH SMD	F 2
C963	135505-1	CAP, 0.1UF 25V 10% X7R 0603	G 1
C964	135505-1	CAP, 0.1UF 25V 10% X7R 0603	G 1
C965	135505-1	CAP, 0.1UF 25V 10% X7R 0603	G 2
C966	135505-1	CAP, 0.1UF 25V 10% X7R 0603	G 2
C967	135505-1	CAP, 0.1UF 25V 10% X7R 0603	G 2
C968	135505-1	CAP, 0.1UF 25V 10% X7R 0603	G 2

138349-14 REV. A		PWA, XTI4000	600029
C969	135505-1	CAP, 0.1UF 25V 10% X7R 0603	G 2
C970	135505-1	CAP, 0.1UF 25V 10% X7R 0603	G 2
C975	135505-1	CAP, 0.1UF 25V 10% X7R 0603	F 2
C976	139719-1	CAP, 1.0UF 25V X7R 10% 0805	F 2
C977	135505-1	CAP, 0.1UF 25V 10% X7R 0603	F 2
C978	139719-1	CAP, 1.0UF 25V X7R 10% 0805	F 2
C983	135505-1	CAP, 0.1UF 25V 10% X7R 0603	F 2
C984	126623-1	47UF 16V 6.3X5.5MM 20% SMT	F 2
C987	135505-1	CAP, 0.1UF 25V 10% X7R 0603	G 1
C992	135505-1	CAP, 0.1UF 25V 10% X7R 0603	I 1
C993	135505-1	CAP, 0.1UF 25V 10% X7R 0603	H 2
C994	135505-1	CAP, 0.1UF 25V 10% X7R 0603	H 2
C995	135505-1	CAP, 0.1UF 25V 10% X7R 0603	I 1
C996	135505-1	CAP, 0.1UF 25V 10% X7R 0603	I 1
D1	139727-1	DIODE, ZENER 500MW 13V SOD123	M 9
D2	125255-1	DIODE, ULTRAFAST 200V 1A SMA	M 8
D3	135343-1	DIODE, DUAL MMBD4148SE SOT-23	C 2
D4	135343-1	DIODE, DUAL MMBD4148SE SOT-23	I 2
D5	125255-1	DIODE, ULTRAFAST 200V 1A SMA	M 8
D6	131648-1	DIODE, ZENER 500MW 16V SOD 123	G 8
D7	C 9773-0	DIODE, ZENER 5.1V 1N5231 SMT	Q 2
D8	C 9283-0	DIODE, MMBD4148/914 SOT-23 SMT	Q 4
D9	C 9773-0	DIODE, ZENER 5.1V 1N5231 SMT	Q 1
D10	C 9283-0	DIODE, MMBD4148/914 SOT-23 SMT	Q 4
D11	C 9283-0	DIODE, MMBD4148/914 SOT-23 SMT	N 7
D12	136292-1	DIODE, EMCON 600V 30A TO220	N 7
D13		OPEN	N 7
D14	136292-1	DIODE, EMCON 600V 30A TO220	N 8
D15		OPEN	N 8
D16	136292-1	DIODE, EMCON 600V 30A TO220	N 8
D17		OPEN	N 8
D18	136292-1	DIODE, EMCON 600V 30A TO220	N 9
D19		OPEN	N 9
D20	136292-1	DIODE, EMCON 600V 30A TO220	N 5
D21	136292-1	DIODE, EMCON 600V 30A TO220	N 6
D22	136292-1	DIODE, EMCON 600V 30A TO220	N 6
D23	136292-1	DIODE, EMCON 600V 30A TO220	N 7
D24	139544-1	PRP, 125427-1 (RBV5006) .420	N 3
D25	C 9773-0	DIODE, ZENER 5.1V 1N5231 SMT	P 1
D26	132040-1	DIODE, 100V 3A SMC	P 3
D27	C 9283-0	DIODE, MMBD4148/914 SOT-23 SMT	P 1
D28	131648-1	DIODE, ZENER 500MW 16V SOD 123	P 1
D29	131648-1	DIODE, ZENER 500MW 16V SOD 123	P 1
D30	138997-1	DIODE, 600V 1A SMA	N 2
D31	131648-1	DIODE, ZENER 500MW 16V SOD 123	P 1
D32	125255-1	DIODE, ULTRAFAST 200V 1A SMA	G 8
D33	126549-1	DIODE,30V 200MA SCHOTTKY SOT23	B 10
D34	126549-1	DIODE,30V 200MA SCHOTTKY SOT23	C 9
D35	140328-1	PRP; 133708-1 (R3060P2) .360	F 9
D36	140328-1	PRP; 133708-1 (R3060P2) .360	F 9
D37	126549-1	DIODE,30V 200MA SCHOTTKY SOT23	K 10
D38	126549-1	DIODE,30V 200MA SCHOTTKY SOT23	J 9
D39	125255-1	DIODE, ULTRAFAST 200V 1A SMA	G 8
D40		OPEN	N 1
D41	125255-1	DIODE, ULTRAFAST 200V 1A SMA	M 8
D42	140328-1	PRP; 133708-1 (R3060P2) .360	H 9
D43	140328-1	PRP; 133708-1 (R3060P2) .360	H 9
D44	125255-1	DIODE, ULTRAFAST 200V 1A SMA	M 8
D45	131648-1	DIODE, ZENER 500MW 16V SOD 123	G 8

138349-14 REV. A		PWA, XTi4000	600029
D46	126549-1	DIODE,30V 200MA SCHOTTKY SOT23	Q 3
D47	C10370-2	DIODE, ZENER 10V MMBZ5240BL	Q 2
D48	C10370-2	DIODE, ZENER 10V MMBZ5240BL	Q 2
D49	125255-1	DIODE, ULTRAFast 200V 1A SMA	M 9
D50	136010-1	DIODE, ZENER 500MW 12V SOD 123	C 10
D52	136010-1	DIODE, ZENER 500MW 12V SOD 123	D 9
D54	132040-1	DIODE, 100V 3A SMC	A 2
D55	132040-1	DIODE, 100V 3A SMC	B 3
D56	C 9773-0	DIODE, ZENER 5.1V 1N5231 SMT	H 3
D57	C 9773-0	DIODE, ZENER 5.1V 1N5231 SMT	H 3
D58	C 9773-0	DIODE, ZENER 5.1V 1N5231 SMT	H 2
D59	C 9773-0	DIODE, ZENER 5.1V 1N5231 SMT	H 2
D60	125341-1	DIODE, DUAL SERIES MMBD7000L	C 10
D62	125341-1	DIODE, DUAL SERIES MMBD7000L	D 9
D64	125341-1	DIODE, DUAL SERIES MMBD7000L	L 10
D66	125341-1	DIODE, DUAL SERIES MMBD7000L	K 9
D68	135343-1	DIODE, DUAL MMBD4148SE SOT-23	P 1
D69	136010-1	DIODE, ZENER 500MW 12V SOD 123	L 10
D71	136010-1	DIODE, ZENER 500MW 12V SOD 123	K 9
D73	136010-1	DIODE, ZENER 500MW 12V SOD 123	B 10
D74	136010-1	DIODE, ZENER 500MW 12V SOD 123	C 9
D75	136010-1	DIODE, ZENER 500MW 12V SOD 123	L 10
D76	136010-1	DIODE, ZENER 500MW 12V SOD 123	K 9
D77	131648-1	DIODE, ZENER 500MW 16V SOD 123	G 9
D78	131648-1	DIODE, ZENER 500MW 16V SOD 123	G 9
D79	131648-1	DIODE, ZENER 500MW 16V SOD 123	G 9
D80	131648-1	DIODE, ZENER 500MW 16V SOD 123	G 9
D100	C 9283-0	DIODE, MMBD4148/914 SOT-23 SMT	F 3
D101	135343-1	DIODE, DUAL MMBD4148SE SOT-23	E 3
D102	135343-1	DIODE, DUAL MMBD4148SE SOT-23	D 2
D103	135343-1	DIODE, DUAL MMBD4148SE SOT-23	D 2
D108	C 9283-0	DIODE, MMBD4148/914 SOT-23 SMT	C 8
D109	C 9283-0	DIODE, MMBD4148/914 SOT-23 SMT	B 8
D110	125620-1	DIODE, FAST RECOVERY 400V 1A	C 8
D111	125620-1	DIODE, FAST RECOVERY 400V 1A	B 8
D112		OPEN	D 8
D113		OPEN	A 8
D114	137615-1	DIODE, 8A 400V SMC	C 8
D115	137615-1	DIODE, 8A 400V SMC	B 8
D116	C 9283-0	DIODE, MMBD4148/914 SOT-23 SMT	H 3
D117	135343-1	DIODE, DUAL MMBD4148SE SOT-23	D 2
D118	135343-1	DIODE, DUAL MMBD4148SE SOT-23	D 2
D119	135343-1	DIODE, DUAL MMBD4148SE SOT-23	D 1
D120		OPEN	E 8
D121		OPEN	E 3
D122	135343-1	DIODE, DUAL MMBD4148SE SOT-23	K 2
D123		OPEN	C 8
D124	135343-1	DIODE, DUAL MMBD4148SE SOT-23	K 2
D125		OPEN	B 8
D126	C 9283-0	DIODE, MMBD4148/914 SOT-23 SMT	D 2
D127	C 9283-0	DIODE, MMBD4148/914 SOT-23 SMT	E 3
D128	135343-1	DIODE, DUAL MMBD4148SE SOT-23	E 1
D129	135343-1	DIODE, DUAL MMBD4148SE SOT-23	B 2
D130	C 9283-0	DIODE, MMBD4148/914 SOT-23 SMT	L 3
D131	135343-1	DIODE, DUAL MMBD4148SE SOT-23	L 3
D134	135343-1	DIODE, DUAL MMBD4148SE SOT-23	E 2
D135	135343-1	DIODE, DUAL MMBD4148SE SOT-23	K 2
D136	135343-1	DIODE, DUAL MMBD4148SE SOT-23	C 2
D137	135343-1	DIODE, DUAL MMBD4148SE SOT-23	C 2

138349-14 REV. A		PWA, XTI4000	600029
D138	C 9283-0	DIODE, MMBD4148/914 SOT-23 SMT	L 8
D139	C 9283-0	DIODE, MMBD4148/914 SOT-23 SMT	K 8
D140	125620-1	DIODE, FAST RECOVERY 400V 1A	L 8
D141	125620-1	DIODE, FAST RECOVERY 400V 1A	K 8
D142		OPEN	M 8
D143		OPEN	J 8
D144	137615-1	DIODE, 8A 400V SMC	L 8
D145	137615-1	DIODE, 8A 400V SMC	K 8
D146	C 9283-0	DIODE, MMBD4148/914 SOT-23 SMT	H 3
D147	135343-1	DIODE, DUAL MMBD4148SE SOT-23	K 2
D148	135343-1	DIODE, DUAL MMBD4148SE SOT-23	K 2
D149	135343-1	DIODE, DUAL MMBD4148SE SOT-23	E 3
D150		OPEN	L 8
D151		OPEN	L 3
D153		OPEN	L 8
D155		OPEN	K 8
D156	C 9283-0	DIODE, MMBD4148/914 SOT-23 SMT	K 2
D157	C 9283-0	DIODE, MMBD4148/914 SOT-23 SMT	L 3
D158		OPEN	L 8
D159	135343-1	DIODE, DUAL MMBD4148SE SOT-23	L 2
D160		OPEN	K 3
D161		OPEN	E 8
D162		OPEN	E 3
D163		OPEN	D 8
D164		OPEN	A 8
D165		OPEN	M 8
D166		OPEN	J 8
D167	135343-1	DIODE, DUAL MMBD4148SE SOT-23	H 3
D168	135343-1	DIODE, DUAL MMBD4148SE SOT-23	H 3
D169	135343-1	DIODE, DUAL MMBD4148SE SOT-23	H 2
D170	135343-1	DIODE, DUAL MMBD4148SE SOT-23	H 3
D171	135343-1	DIODE, DUAL MMBD4148SE SOT-23	I 2
D172	135343-1	DIODE, DUAL MMBD4148SE SOT-23	I 2
D173	135343-1	DIODE, DUAL MMBD4148SE SOT-23	K 3
D174	C 9283-0	DIODE, MMBD4148/914 SOT-23 SMT	D 3
D175	C 9283-0	DIODE, MMBD4148/914 SOT-23 SMT	J 3
D176	137615-1	DIODE, 8A 400V SMC	F 8
D177	137615-1	DIODE, 8A 400V SMC	F 10
D178	137615-1	DIODE, 8A 400V SMC	H 8
D179	137615-1	DIODE, 8A 400V SMC	H 10
D180	C10067-4	DIODE, 1A 100V SILICON SMT T/R	D 5
D181	C10067-4	DIODE, 1A 100V SILICON SMT T/R	D 5
D182	C10067-4	DIODE, 1A 100V SILICON SMT T/R	D 5
D183	126621-1	DIODE, 180V 3W SMB ZENER	D 8
D184	126621-1	DIODE, 180V 3W SMB ZENER	A 8
D185	126621-1	DIODE, 180V 3W SMB ZENER	L 8
D186	126621-1	DIODE, 180V 3W SMB ZENER	J 8
D187	C10067-4	DIODE, 1A 100V SILICON SMT T/R	J 5
D188	C10067-4	DIODE, 1A 100V SILICON SMT T/R	J 5
D189	C10067-4	DIODE, 1A 100V SILICON SMT T/R	J 5
D190	C10067-4	DIODE, 1A 100V SILICON SMT T/R	J 5
D191	C10067-4	DIODE, 1A 100V SILICON SMT T/R	C 5
D801	125593-1	DIODE, SCHOTTKY 40V 1A SMA	J 1
E1	126473-1	LED, GRN SMT 1206	H 1
F1	A10285-28	FUSE, 20A 3AB LITL FUSE #314020	Q 10
F1X	C 8908-3	CLIP, DUAL FUSE PC MOUNT	Q 10
F1XX	C 8908-3	CLIP, DUAL FUSE PC MOUNT	Q 10
FB1	125846-1	FERRITE BEAD, 600 OHM .5A 0805	F 1
FB2	125846-1	FERRITE BEAD, 600 OHM .5A 0805	F 1

138349-14 REV. A		PWA, XTI4000	600029
FB3	125846-1	FERRITE BEAD, 600 OHM .5A 0805	G 2
FB4	125846-1	FERRITE BEAD, 600 OHM .5A 0805	G 2
FB6	125846-1	FERRITE BEAD, 600 OHM .5A 0805	H 1
FB7	125846-1	FERRITE BEAD, 600 OHM .5A 0805	I 1
HS1	139135-3	HEATSINK, CEQUEL BASE	D 7
HS1B	139134-1	FINS, CEQUEL	E 7
HS1C	102659-1	NPN, TO-3 MJ21194 PWR	F 7
HS1D	102719-1	6-32X.312 TORX PAN HD TFS	F 6
HS1E	102719-1	6-32X.312 TORX PAN HD TFS	F 7
HS1F	102659-1	NPN, TO-3 MJ21194 PWR	E 7
HS1G	102719-1	6-32X.312 TORX PAN HD TFS	D 6
HS1H	102719-1	6-32X.312 TORX PAN HD TFS	E 7
HS1I	102659-1	NPN, TO-3 MJ21194 PWR	C 7
HS1J	102719-1	6-32X.312 TORX PAN HD TFS	B 6
HS1K	102719-1	6-32X.312 TORX PAN HD TFS	C 7
HS1L	102659-1	NPN, TO-3 MJ21194 PWR	B 7
HS1M	102719-1	6-32X.312 TORX PAN HD TFS	A 6
HS1N	102719-1	6-32X.312 TORX PAN HD TFS	B 7
HS1O	139134-1	FINS, CEQUEL	B 7
HS2	139299-3	HEATSINK, CEQUEL BASE FRONT	D 4
HS2B	139134-1	FINS, CEQUEL	E 4
HS2C	139739-1	XSISTOR, PNP MJ21193G	F 4
HS2D	102719-1	6-32X.312 TORX PAN HD TFS	F 4
HS2E	102719-1	6-32X.312 TORX PAN HD TFS	F 5
HS2F	139739-1	XSISTOR, PNP MJ21193G	E 4
HS2G	102719-1	6-32X.312 TORX PAN HD TFS	E 4
HS2H	102719-1	6-32X.312 TORX PAN HD TFS	D 5
HS2I	139739-1	XSISTOR, PNP MJ21193G	C 4
HS2J	102719-1	6-32X.312 TORX PAN HD TFS	C 4
HS2K	102719-1	6-32X.312 TORX PAN HD TFS	C 5
HS2L	139739-1	XSISTOR, PNP MJ21193G	B 4
HS2M	102719-1	6-32X.312 TORX PAN HD TFS	B 4
HS2N	102719-1	6-32X.312 TORX PAN HD TFS	A 5
HS2O	139134-1	FINS, CEQUEL	B 4
HS3		OPEN	D 3
HS4		OPEN	D 6
HS5	139135-3	HEATSINK, CEQUEL BASE	J 7
HS5B	139134-1	FINS, CEQUEL	K 7
HS5C	102659-1	NPN, TO-3 MJ21194 PWR	L 7
HS5D	102719-1	6-32X.312 TORX PAN HD TFS	L 6
HS5E	102719-1	6-32X.312 TORX PAN HD TFS	L 7
HS5F	102659-1	NPN, TO-3 MJ21194 PWR	K 7
HS5G	102719-1	6-32X.312 TORX PAN HD TFS	K 6
HS5H	102719-1	6-32X.312 TORX PAN HD TFS	K 7
HS5I	102659-1	NPN, TO-3 MJ21194 PWR	I 7
HS5J	102719-1	6-32X.312 TORX PAN HD TFS	I 6
HS5K	102719-1	6-32X.312 TORX PAN HD TFS	I 7
HS5L	102659-1	NPN, TO-3 MJ21194 PWR	H 7
HS5M	102719-1	6-32X.312 TORX PAN HD TFS	G 6
HS5N	102719-1	6-32X.312 TORX PAN HD TFS	H 7
HS5O	139134-1	FINS, CEQUEL	I 7
HS6	139299-3	HEATSINK, CEQUEL BASE FRONT	J 4
HS6B	139134-1	FINS, CEQUEL	K 4
HS6C	139739-1	XSISTOR, PNP MJ21193G	L 4
HS6D	102719-1	6-32X.312 TORX PAN HD TFS	L 4
HS6E	102719-1	6-32X.312 TORX PAN HD TFS	L 5
HS6F	139739-1	XSISTOR, PNP MJ21193G	K 4
HS6G	102719-1	6-32X.312 TORX PAN HD TFS	K 4
HS6H	102719-1	6-32X.312 TORX PAN HD TFS	K 5

138349-14 REV. A		PWA, XTI4000	600029
HS6I	139739-1	XSISTOR, PNP MJ21193G	I 4
HS6J	102719-1	6-32X.312 TORX PAN HD TFS	I 4
HS6K	102719-1	6-32X.312 TORX PAN HD TFS	I 5
HS6L	139739-1	XSISTOR, PNP MJ21193G	H 4
HS6M	102719-1	6-32X.312 TORX PAN HD TFS	H 4
HS6N	102719-1	6-32X.312 TORX PAN HD TFS	G 5
HS6O	139134-1	FINS, CEQUEL	H 4
HS7		OPEN	J 3
HS8		OPEN	J 6
HS9	139981-1	HEATSINK, TRACKER W/PAD	F 9
HS9A	139981-1	HEATSINK, TRACKER W/PAD	H 9
HS9B	136330-1	CLIP, TO-220	H 10
HS9C	136330-1	CLIP, TO-220	H 9
HS9D	136330-1	CLIP, TO-220	H 9
HS9E	136330-1	CLIP, TO-220	H 8
HS9F	136330-1	CLIP, TO-220	F 8
HS9G	136330-1	CLIP, TO-220	F 9
HS9H	136330-1	CLIP, TO-220	F 9
HS9I	136330-1	CLIP, TO-220	F 10
HS13	139276-2	HEATSINK, CEQUEL POWER SUPPLY	M 3
HS13B	140180-1	CLIP, 2 FINGER TO-220	M 1
HS13C	140180-1	CLIP, 2 FINGER TO-220	M 2
HS13D	140180-1	CLIP, 2 FINGER TO-220	N 3
HS13E	139312-1	INSULATOR, CERAMIC 3.95X.85	M 3
HS13F	139421-3	RETAINER, XTI HEATSINK	M 1
HS13G	139421-3	RETAINER, XTI HEATSINK	M 5
HS14	139948-1	HEATSINK, W/PAD PS ASSY	M 7
HS14B		OPEN	M 7
HS14C	139421-3	RETAINER, XTI HEATSINK	M 5
HS14D	139421-3	RETAINER, XTI HEATSINK	M 9
HS14E	140180-1	CLIP, 2 FINGER TO-220	M 6
HS14F	140180-1	CLIP, 2 FINGER TO-220	M 7
HS14G	140180-1	CLIP, 2 FINGER TO-220	M 8
HS14H	140180-1	CLIP, 2 FINGER TO-220	M 9
HW1	140089-1	SPRING, NEGATIVE CONTACT	A 11
HW3	139901-1	CLIP, XTI HEATSINK	M 7
HW4	139901-1	CLIP, XTI HEATSINK	M 4
HW5	101016-1	LBL, BARCODE	A 10
HW6	139757-1	PRP, 133589-1 CUT IN HALF	M 5
HW7	139360-1	GAPFILLER, THERMALLY CONDUCTIVE	D 6
HW8	139360-1	GAPFILLER, THERMALLY CONDUCTIVE	J 6
HW9	139360-1	GAPFILLER, THERMALLY CONDUCTIVE	M 5
HW10	139360-1	GAPFILLER, THERMALLY CONDUCTIVE	D 7
HW11	139360-1	GAPFILLER, THERMALLY CONDUCTIVE	J 7
HW12		OPEN	D 4
HW13		OPEN	J 4
J1	138976-1	CONN, USB B RA TH	A 12
J2		OPEN	I 1
J3	138323-2	BDG POST, QUAD RA NO-TOUCH	M 12
J4	138319-1	XLR, FEM HORZ PC PLASTIC	C 12
J5	138319-1	XLR, FEM HORZ PC PLASTIC	D 12
J7		OPEN	G 12
J8	102473-1	SPEAKON, 4 POLE PCB HORZ	J 12
J9	102473-1	SPEAKON, 4 POLE PCB HORZ	K 12
J10	139530-1	CONN, 20PIN HEADER 0.1" CTR SHROUDED TH	E 1
J11		OPEN	F 11
J12		OPEN	H 12
J15	101571-1	HDR, 2 POS .1 CTR MTA SHRD	J 11
J20	127064-1	TEST POINT, SMT 1206	N 8

138349-14 REV. A

PWA, XT14000

600029

J21		OPEN	N 9
J22		OPEN	N 11
J23	127064-1	TEST POINT, SMT 1206	N 9
J24	127064-1	TEST POINT, SMT 1206	G 1
J25		OPEN	F 8
J26		OPEN	F 10
J27		OPEN	H 8
J28		OPEN	H 10
J29	127064-1	TEST POINT, SMT 1206	N 8
J30	127064-1	TEST POINT, SMT 1206	N 8
J31	127064-1	TEST POINT, SMT 1206	M 9
J32	127064-1	TEST POINT, SMT 1206	M 9
J33		OPEN	N 9
J34		OPEN	N 11
J35		OPEN	N 9
J36		OPEN	N 11
J37		OPEN	F 8
J38		OPEN	F 10
J39		OPEN	H 8
J40		OPEN	H 10
K1	C10335-5	RELAY 30A 24V T90 SEALED CE	Q 4
K2	C10335-5	RELAY 30A 24V T90 SEALED CE	Q 5
L1	139523-1	CHOKE, CM 20T 5000 PERM	P 10
L2	139523-1	CHOKE, CM 20T 5000 PERM	P 8
L3	138103-1	INDUCTOR, 1.65UH 16AWG VERT	Q 7
L4	139613-1	IND, T157-2 10UH 2X18AWG	E 9
L5	139613-1	IND, T157-2 10UH 2X18AWG	D 10
L6	139613-1	IND, T157-2 10UH 2X18AWG	I 9
L7	139613-1	IND, T157-2 10UH 2X18AWG	J 10
L100	102470-1	INDUCTOR, 2.75UH 11A RADIAL	B 9
L101	102470-1	INDUCTOR, 2.75UH 11A RADIAL	L 9
L801	138946-1	IND, 470UH 0.5A SMT	J 1
P1	138443-1	XLR, MALE HORZ PC PLASTIC	B 12
P2	138443-1	XLR, MALE HORZ PC PLASTIC	E 12
P3		OPEN	B 11
P4	138320-1	IEC, ISA RA PC MNT	Q 12
PWB1	138348-9	PWB, CEQUEL MAIN	Q 12
Q1	139686-1	XSISTOR, MPSW45 50V 1W TO92	M 9
Q2	139686-1	XSISTOR, MPSW45 50V 1W TO92	M 9
Q5	102483-1	PNP 300V 500MA SOT-23	L 1
Q6	137218-1	SCR, 12A MCR12DSN DPAK 369A	L 1
Q7	C 7448-1	MMBT3904 CHIP NPN	N 1
Q8	132242-1	XSISTOR, NPN SOT 23 MMBTA42LT1	Q 2
Q9		OPEN	F 3
Q10		OPEN	F 3
Q13		OPEN	I 2
Q14		OPEN	I 2
Q15	125798-1	XSTR,MMBT3906 LT3 10K REEL	N 1
Q16	139686-1	XSISTOR, MPSW45 50V 1W TO92	Q 3
Q17	125798-1	XSTR,MMBT3906 LT3 10K REEL	Q 2
Q18	C 8103-1	MPSW42 300V 1 WATT NPN T/R	Q 2
Q21	125798-1	XSTR,MMBT3906 LT3 10K REEL	Q 1
Q22	C 8103-1	MPSW42 300V 1 WATT NPN T/R	Q 1
Q23	127169-1	MOSFET, P-CH 50V 150MA SOT-23	I 1
Q24	C 7448-1	MMBT3904 CHIP NPN	J 11
Q25	125798-1	XSTR,MMBT3906 LT3 10K REEL	M 3
Q26	131046-1	TRANSISTOR, KSC3265 NPN SOT-23	N 1
Q27	131047-1	TRANSISTOR, KSA1298 PNP SOT-23	N 1
Q28	139543-1	PRP, 134423-1 (30N60A4D) .420	N 1

XTi4000 BOM 138349-14_A.xls

R04.1CDE-004_(Fm) JAW 10/6/01

CROWN AUDIO, INC. ELKHART, IN.

13 OF 30

138349-14 REV. A		PWA, XT14000	600029
Q29	131046-1	TRANSISTOR, KSC3265 NPN SOT-23	N 2
Q30	131047-1	TRANSISTOR, KSA1298 PNP SOT-23	N 2
Q31	139543-1	PRP, 134423-1 (30N60A4D) .420	N 2
Q32	125798-1	XSTR,MMBT3906 LT3 10K REEL	I 11
Q33	131046-1	TRANSISTOR, KSC3265 NPN SOT-23	G 9
Q34	C 8103-1	MPSW42 300V 1 WATT NPN T/R	G 11
Q35	C 8103-1	MPSW42 300V 1 WATT NPN T/R	G 11
Q36	C 8103-1	MPSW42 300V 1 WATT NPN T/R	H 11
Q37	C 8103-1	MPSW42 300V 1 WATT NPN T/R	H 11
Q38	139686-1	XSISTOR, MPSW45 50V 1W TO92	G 8
Q39	C 8103-1	MPSW42 300V 1 WATT NPN T/R	O 1
Q40	C 8103-1	MPSW42 300V 1 WATT NPN T/R	O 1
Q41	C 8103-1	MPSW42 300V 1 WATT NPN T/R	O 1
Q42	131047-1	TRANSISTOR, KSA1298 PNP SOT-23	G 8
Q43	131046-1	TRANSISTOR, KSC3265 NPN SOT-23	G 10
Q44	131047-1	TRANSISTOR, KSA1298 PNP SOT-23	G 10
Q45	131046-1	TRANSISTOR, KSC3265 NPN SOT-23	G 9
Q46	125798-1	XSTR,MMBT3906 LT3 10K REEL	G 9
Q47	140329-1	PRP; 138995-1 (260N) .360	F 8
Q48	140329-1	PRP; 138995-1 (260N) .360	F 10
Q49	125798-1	XSTR,MMBT3906 LT3 10K REEL	G 9
Q50	125798-1	XSTR,MMBT3906 LT3 10K REEL	G 9
Q51	125798-1	XSTR,MMBT3906 LT3 10K REEL	G 9
Q52	102483-1	PNP 300V 500MA SOT-23	J 9
Q53	102483-1	PNP 300V 500MA SOT-23	K 10
Q54	102483-1	PNP 300V 500MA SOT-23	C 9
Q55	102483-1	PNP 300V 500MA SOT-23	B 10
Q56	131047-1	TRANSISTOR, KSA1298 PNP SOT-23	G 8
Q57	131046-1	TRANSISTOR, KSC3265 NPN SOT-23	G 10
Q58	131047-1	TRANSISTOR, KSA1298 PNP SOT-23	G 10
Q59	125798-1	XSTR,MMBT3906 LT3 10K REEL	G 9
Q60	140329-1	PRP; 138995-1 (260N) .360	H 8
Q61	140329-1	PRP; 138995-1 (260N) .360	H 10
Q62	125798-1	XSTR,MMBT3906 LT3 10K REEL	G 9
Q63	139686-1	XSISTOR, MPSW45 50V 1W TO92	G 8
Q64	125798-1	XSTR,MMBT3906 LT3 10K REEL	G 9
Q65	125798-1	XSTR,MMBT3906 LT3 10K REEL	G 9
Q69	C 8103-1	MPSW42 300V 1 WATT NPN T/R	F 11
Q70	C 8103-1	MPSW42 300V 1 WATT NPN T/R	F 11
Q79	C 8103-1	MPSW42 300V 1 WATT NPN T/R	F 11
Q80	C 8103-1	MPSW42 300V 1 WATT NPN T/R	H 11
Q100	C 8103-1	MPSW42 300V 1 WATT NPN T/R	E 2
Q102	C 8104-9	MPSW92 300V 1 WATT PNP T/R	E 3
Q103	C 9931-4	MMBT5087LT1 PNP XSISTOR SOT-23	E 2
Q104	C 9931-4	MMBT5087LT1 PNP XSISTOR SOT-23	E 3
Q105	C 8104-9	MPSW92 300V 1 WATT PNP T/R	C 3
Q106	C 8104-9	MPSW92 300V 1 WATT PNP T/R	C 3
Q107	C 8103-1	MPSW42 300V 1 WATT NPN T/R	D 3
Q108	C 8103-1	MPSW42 300V 1 WATT NPN T/R	D 3
Q109	C 7448-1	MMBT3904 CHIP NPN	D 7
Q110	C 7448-1	MMBT3904 CHIP NPN	D 8
Q111	125798-1	XSTR,MMBT3906 LT3 10K REEL	B 8
Q112	C 8103-1	MPSW42 300V 1 WATT NPN T/R	C 6
Q113	C 8104-9	MPSW92 300V 1 WATT PNP T/R	C 3
Q114	139426-1	PRP, 136168/137779 GRN (15033)	D 6
Q115	139425-1	PRP, 136167/137779 BLU (15032)	D 3
Q116	C 8104-9	MPSW92 300V 1 WATT PNP T/R	E 3
Q117	C 8103-1	MPSW42 300V 1 WATT NPN T/R	K 2
Q119	C 8104-9	MPSW92 300V 1 WATT PNP T/R	L 3

138349-14 REV. A		PWA, XTI4000	600029
Q120	C 9931-4	MMBT5087LT1 PNP XSISTOR SOT-23	K 2
Q121	C 9931-4	MMBT5087LT1 PNP XSISTOR SOT-23	K 3
Q122	C 8104-9	MPSW92 300V 1 WATT PNP T/R	J 3
Q123	C 8104-9	MPSW92 300V 1 WATT PNP T/R	J 3
Q124	C 8103-1	MPSW42 300V 1 WATT NPN T/R	K 3
Q125	C 8103-1	MPSW42 300V 1 WATT NPN T/R	K 3
Q126	C 7448-1	MMBT3904 CHIP NPN	J 7
Q127	C 7448-1	MMBT3904 CHIP NPN	L 8
Q128	125798-1	XSTR,MMBT3906 LT3 10K REEL	J 8
Q129	C 8103-1	MPSW42 300V 1 WATT NPN T/R	I 6
Q130	C 7448-1	MMBT3904 CHIP NPN	C 2
Q131	C 8104-9	MPSW92 300V 1 WATT PNP T/R	J 3
Q132	139426-1	PRP, 136168/137779 GRN (15033)	J 6
Q133	139425-1	PRP, 136167/137779 BLU (15032)	J 3
Q134	C 8104-9	MPSW92 300V 1 WATT PNP T/R	E 2
Q135	C 7448-1	MMBT3904 CHIP NPN	L 2
Q136	C 8104-9	MPSW92 300V 1 WATT PNP T/R	K 3
Q137	C 8104-9	MPSW92 300V 1 WATT PNP T/R	K 2
Q138	C 8104-9	MPSW92 300V 1 WATT PNP T/R	G 8
Q140	C 8104-9	MPSW92 300V 1 WATT PNP T/R	G 8
Q141	C 8103-1	MPSW42 300V 1 WATT NPN T/R	D 2
Q142	C 8103-1	MPSW42 300V 1 WATT NPN T/R	J 2
Q802	C 7448-1	MMBT3904 CHIP NPN	K 1
Q803	132065-1	MOSFET, P-CH 60V 0.8 OHM 1.17A	J 1
R1	A11368-10021	10K 1/10W 1% SMD 0805 T/R	M 8
R2	A11368-10R00	RES, 10 OHM 1/16W 1% 0603	M 9
R3	A11368-10R00	RES, 10 OHM 1/16W 1% 0603	M 8
R5	A11368-10020	RES, 10.0 KOHM 1/16W 1% 0603	H 1
R6	A11368-10021	10K 1/10W 1% SMD 0805 T/R	G 8
R7	A11368-10R00	RES, 10 OHM 1/16W 1% 0603	G 8
R8	A11368-10R00	RES, 10 OHM 1/16W 1% 0603	G 8
R9	A11368-10020	RES, 10.0 KOHM 1/16W 1% 0603	I 1
R10	A11368-10010	RES, 1.0 KOHM 1/16W 1% 0603	L 1
R11	A11368-10020	RES, 10.0 KOHM 1/16W 1% 0603	K 1
R12	A11368-10010	RES, 1.0 KOHM 1/16W 1% 0603	L 1
R13	A11368-10010	RES, 1.0 KOHM 1/16W 1% 0603	F 2
R14		OPEN	G 3
R15	A11368-10010	RES, 1.0 KOHM 1/16W 1% 0603	H 1
R16	A11368-10020	RES, 10.0 KOHM 1/16W 1% 0603	H 1
R17	A11368-63411	6.34K 0.10W 1% CHIP 0805	I 2
R18	A11368-63411	6.34K 0.10W 1% CHIP 0805	F 3
R19	A11368-15010	RES, 1.5 K OHM 1/16W 1% 0603	A 11
R20	A11368-63411	6.34K 0.10W 1% CHIP 0805	I 2
R21		OPEN	G 3
R22	A11368-10020	RES, 10.0 KOHM 1/16W 1% 0603	I 1
R23	A11371-8205	82 OHM 1W 5% SMD 2512	D 11
R24	A11368-75R03	75 OHM .25W 1% 1210 T/R	C 11
R25	A11368-75R03	75 OHM .25W 1% 1210 T/R	C 11
R26	A11368-10020	RES, 10.0 KOHM 1/16W 1% 0603	D 2
R27	A11368-10020	RES, 10.0 KOHM 1/16W 1% 0603	C 2
R28	A11368-10020	RES, 10.0 KOHM 1/16W 1% 0603	C 2
R29	A11368-10020	RES, 10.0 KOHM 1/16W 1% 0603	D 2
R30	A11368-24910	RES, 2.49 KOHM 1/16W 1% 0603	C 1
R31	A11368-54911	5.49K 0.1W 1% 0805 T/R	C 1
R32	A11368-10010	RES, 1.0 KOHM 1/16W 1% 0603	F 2
R33	A11368-24910	RES, 2.49 KOHM 1/16W 1% 0603	B 2
R34	A11368-24910	RES, 2.49 KOHM 1/16W 1% 0603	C 2
R35	A11368-10020	RES, 10.0 KOHM 1/16W 1% 0603	I 1
R36	A11368-24910	RES, 2.49 KOHM 1/16W 1% 0603	C 2

138349-14 REV. A	PWA, XTI4000	600029
R37	A11368-24910 RES, 2.49 KOHM 1/16W 1% 0603	C 1
R38	A11368-82500 RES, 825 OHM 1/16W 1% 0603	C 2
R39	A11368-82500 RES, 825 OHM 1/16W 1% 0603	B 1
R40	A11368-25500 RES, 255 OHM 1/16W 1% 0603	D 2
R41	A11368-25500 RES, 255 OHM 1/16W 1% 0603	D 2
R42	A11368-10020 RES, 10.0 KOHM 1/16W 1% 0603	D 2
R43	A11368-47001 470 OHM, 0.10W 1% MF 0805	I 11
R44	A11368-75R03 75 OHM .25W 1% 1210 T/R	D 11
R45	A11368-75R03 75 OHM .25W 1% 1210 T/R	D 11
R46	A11368-10020 RES, 10.0 KOHM 1/16W 1% 0603	E 2
R47	A11368-10020 RES, 10.0 KOHM 1/16W 1% 0603	E 2
R48	A11368-10020 RES, 10.0 KOHM 1/16W 1% 0603	E 2
R49	A11368-10020 RES, 10.0 KOHM 1/16W 1% 0603	E 2
R50	A11368-24910 RES, 2.49 KOHM 1/16W 1% 0603	E 1
R51	A11368-29421 29.4 KOHM .1W 1% 0805 T/R	F 3
R52	A11368-63411 6.34K 0.10W 1% CHIP 0805	F 3
R53	A11368-29421 29.4 KOHM .1W 1% 0805 T/R	F 3
R54	A11368-29421 29.4 KOHM .1W 1% 0805 T/R	I 2
R55	A11368-29421 29.4 KOHM .1W 1% 0805 T/R	I 2
R56	A11368-17820 RES, 17.8 KOHM 1/16W 1% 0603	F 3
R57	A11368-17820 RES, 17.8 KOHM 1/16W 1% 0603	I 2
R58	A11368-17820 RES, 17.8 KOHM 1/16W 1% 0603	F 3
R59	A11368-17820 RES, 17.8 KOHM 1/16W 1% 0603	I 2
R60	A11368-54911 5.49K 0.1W 1% 0805 T/R	E 1
R61	A11371-8205 82 OHM 1W 5% SMD 2512	B 11
R62	A11368-24910 RES, 2.49 KOHM 1/16W 1% 0603	D 2
R63	A11368-24910 RES, 2.49 KOHM 1/16W 1% 0603	D 2
R64	A11368-10020 RES, 10.0 KOHM 1/16W 1% 0603	H 2
R65	A11368-24910 RES, 2.49 KOHM 1/16W 1% 0603	D 2
R66	A11368-24910 RES, 2.49 KOHM 1/16W 1% 0603	D 1
R67	A11368-82500 RES, 825 OHM 1/16W 1% 0603	E 2
R68	A11368-82500 RES, 825 OHM 1/16W 1% 0603	D 1
R69	A11368-25500 RES, 255 OHM 1/16W 1% 0603	D 2
R70	A11368-25500 RES, 255 OHM 1/16W 1% 0603	D 2
R71	A11368-10020 RES, 10.0 KOHM 1/16W 1% 0603	D 2
R72	A11368-33R20 RES, 33.2 OHM 1/16W 1% 0603	A 11
R73	A11368-75011 7.50K .10W 1% CHIP 0805	H 3
R74	A11368-47520 RES, 47.5 K OHM 1/16W 1% 0603	H 1
R75	A11368-32400 324 OHM 1/16W 1% 0603 T/R	B 10
R76	A11368-30910 RES, 3.09K OHM 1% 1/16W 0603	B 10
R77	A11368-75000 RES, 750 OHM 1/16W 1% 0603	B 10
R78	A11368-11820 RES, 11.8K 1% 1/16W 0603	E 3
R79	A11368-15031 150K 1/10W 1% SMD 0805 T/R	E 3
R80	A11368-11820 RES, 11.8K 1% 1/16W 0603	K 3
R81	A11368-15031 150K 1/10W 1% SMD 0805 T/R	K 3
R82	OPEN	B 8
R83	A11368-1R001 1 OHM .1W 1% 0805 T/R	A 9
R84	A11368-30101 301 OHM .1W 1% 0805 T/R	M 12
R85	A11368-32400 324 OHM 1/16W 1% 0603 T/R	C 9
R86	A11368-30910 RES, 3.09K OHM 1% 1/16W 0603	C 9
R87	A11368-1R001 1 OHM .1W 1% 0805 T/R	L 12
R88	A11368-24921 24.9K 1/10W 1% SMD 0805 T/R	G 3
R89	OPEN	K 8
R90	A11368-1R001 1 OHM .1W 1% 0805 T/R	L 9
R91	A11368-30101 301 OHM .1W 1% 0805 T/R	N 12
R92	A11368-1R001 1 OHM .1W 1% 0805 T/R	N 12
R93	A11368-75000 RES, 750 OHM 1/16W 1% 0603	C 9
R94	A11368-10020 RES, 10.0 KOHM 1/16W 1% 0603	B 10
R95	A11368-10010 RES, 1.0 KOHM 1/16W 1% 0603	I 1

138349-14 REV. A		PWA, XTI4000	600029
R96	A11368-10010	RES, 1.0 KOHM 1/16W 1% 0603	I 1
R97	A11368-20021	20.KOHM .1W 1% CHIP 0805	I 11
R98		OPEN	F 11
R99	A11368-15010	RES, 1.5 K OHM 1/16W 1% 0603	G 9
R100	A11368-47001	470 OHM, 0.10W 1% MF 0805	D 2
R101	A11368-47001	470 OHM, 0.10W 1% MF 0805	K 2
R102	A11368-33R20	RES, 33.2 OHM 1/16W 1% 0603	A 11
R103	A11371-8205	82 OHM 1W 5% SMD 2512	A 2
R104	A11368-47001	470 OHM, 0.10W 1% MF 0805	E 2
R105	A11371-8205	82 OHM 1W 5% SMD 2512	A 3
R106	A11368-22120	RES, 22.1 KOHM 1% 1/16W 0603	G 3
R107	A11368-22101	221OHM 0.1W 1% 0805 T/R	F 3
R108	A11368-35721	35.7 KOHM 0.1W 1% 0805 T/R	E 3
R109	A11368-22101	221OHM 0.1W 1% 0805 T/R	E 2
R110	A11368-22101	221OHM 0.1W 1% 0805 T/R	E 3
R111		OPEN	F 3
R112		OPEN	J 11
R113	A11368-10031	100.KOHM .1W 1% CHIP 0805	G 3
R114	A11368-47001	470 OHM, 0.10W 1% MF 0805	E 2
R115	A11368-35721	35.7 KOHM 0.1W 1% 0805 T/R	E 3
R116	A11368-10020	RES, 10.0 KOHM 1/16W 1% 0603	F 3
R117	A11368-10010	RES, 1.0 KOHM 1/16W 1% 0603	N 1
R118	A11368-37411	3.74K OHM 1% 0.1W 0805 T/R	D 2
R119		OPEN	F 3
R120	A11368-10020	RES, 10.0 KOHM 1/16W 1% 0603	B 2
R121	A11368-18211	1.82KOHM .1W 1% 0805 T/R	B 2
R122	A11368-10020	RES, 10.0 KOHM 1/16W 1% 0603	B 2
R123	A11368-10020	RES, 10.0 KOHM 1/16W 1% 0603	B 3
R124	A11368-18211	1.82KOHM .1W 1% 0805 T/R	B 3
R125	A11368-10020	RES, 10.0 KOHM 1/16W 1% 0603	B 3
R126		OPEN	F 3
R127		OPEN	F 3
R128		OPEN	F 3
R129	A11368-47001	470 OHM, 0.10W 1% MF 0805	D 2
R130		OPEN	C 2
R131	A11368-10011	1.KOHM .1W 1% CHIP 0805	C 3
R132	A11368-10023	10.0KOHM .25W 1% 1210 T/R	C 3
R133	A11368-17823	RES, 17.8K OHM 1% 0.25W 1210	D 3
R134	A11368-75R00	RES, 75 OHM 1/16W 1% 0603	C 3
R135	A11368-75R00	RES, 75 OHM 1/16W 1% 0603	C 3
R136	A11368-75R00	RES, 75 OHM 1/16W 1% 0603	E 3
R137	A11368-15000	RES, 150 OHM 1% 1/16W 0603	E 3
R138	A11368-93101	RES, 931 OHM 1% 0.1W 0805	G 3
R139	A11368-27430	RES, 274 KOHM 1/16W 1% 0603	P 1
R140	A11368-22120	RES, 22.1 KOHM 1% 1/16W 0603	I 3
R141	A11368-47001	470 OHM, 0.10W 1% MF 0805	K 2
R142	A11368-75R00	RES, 75 OHM 1/16W 1% 0603	E 3
R143	A11368-51111	5.11KOHM .1W 1% 0805 T/R	D 3
R144	133871-1	TRIMPOT, 500 OHM TOP ADJ T/R	D 3
R145	A11368-32400	324 OHM 1/16W 1% 0603 T/R	K 10
R146	A11368-30910	RES, 3.09K OHM 1% 1/16W 0603	K 10
R147	A11368-34001	RES, 340 OHM 1% 0.1W SMT 0805	C 6
R148	A11368-34001	RES, 340 OHM 1% 0.1W SMT 0805	C 3
R149	A11368-22R11	22.1 OHM 0.1W 1% 0805 T/R	D 5
R150	A11368-10003	100 OHM 0.25W 1% 1210 T/R	D 5
R151	A11368-10000	RES, 100 OHM 1/16W 1% 0603	A 6
R152	A11368-10000	RES, 100 OHM 1/16W 1% 0603	A 5
R153	A11368-13011	1.3KOHM .1W 1% 0805 T/R	B 6
R154	A11368-13011	1.3KOHM .1W 1% 0805 T/R	B 5

138349-14 REV. A		PWA, XTI4000	600029
R155	A11368-13011	1.3KOHM .1W 1% 0805 T/R	C 6
R156	A11368-13011	1.3KOHM .1W 1% 0805 T/R	C 5
R157	A11368-13011	1.3KOHM .1W 1% 0805 T/R	E 6
R158	A11368-13011	1.3KOHM .1W 1% 0805 T/R	F 6
R159	A11368-13011	1.3KOHM .1W 1% 0805 T/R	E 5
R160	A11368-13011	1.3KOHM .1W 1% 0805 T/R	F 5
R161	A11368-93101	RES, 931 OHM 1% 0.1W 0805	C 2
R162	A11368-17823	RES, 17.8K OHM 1% 0.25W 1210	D 2
R163	A11368-10023	10.0KOHM .25W 1% 1210 T/R	C 2
R165		OPEN	D 8
R166		OPEN	A 8
R167		OPEN	M 8
R168		OPEN	J 8
R169	A11368-10010	RES, 1.0 KOHM 1/16W 1% 0603	C 2
R170	A11368-10010	RES, 1.0 KOHM 1/16W 1% 0603	C 3
R171	A11368-64900	649 OHM 1/16W 1% 0603 T/R	B 3
R172	A11368-20031	200K 0.1W 1% SMD CHIP 0805	B 3
R173	A11368-20031	200K 0.1W 1% SMD CHIP 0805	B 3
R174	A11368-49900	RES, 499 OHM 1/16W 1% 0603	B 3
R175	A11368-18211	1.82KOHM .1W 1% 0805 T/R	C 3
R176	A11368-19120	RES, 19.1 K OHM 1/16W 1% 0603	I 3
R177	A11368-20520	RES, 20.5 KOHM 1/16W 1% 0603	I 3
R178	A11368-10020	RES, 10.0 KOHM 1/16W 1% 0603	B 2
R179	A11368-12111	RES, 1.21K 1% 0.1W SMT 0805	D 3
R180	A11368-18211	1.82KOHM .1W 1% 0805 T/R	D 3
R181	A11368-24921	24.9K 1/10W 1% SMD 0805 T/R	I 3
R182	A11368-10010	RES, 1.0 KOHM 1/16W 1% 0603	E 3
R183	A11368-10010	RES, 1.0 KOHM 1/16W 1% 0603	C 2
R184	A11368-22R11	22.1 OHM 0.1W 1% 0805 T/R	D 3
R185		OPEN	C 8
R186		OPEN	B 8
R187		OPEN	F 8
R188		OPEN	E 8
R189		OPEN	D 8
R190		OPEN	F 8
R191		OPEN	E 3
R192		OPEN	A 8
R193		OPEN	E 3
R194		OPEN	A 6
R195		OPEN	A 5
R196	A11371-8205	82 OHM 1W 5% SMD 2512	C 8
R197	A11371-15R3	RES, 15 OHM .25W 5% 1210 T/R	B 9
R198		OPEN	J 11
R199		OPEN	G 3
R200	A11368-10023	10.0KOHM .25W 1% 1210 T/R	J 2
R201	139351-1	RES, 35.7K OHM 1% 1W RAD T/R	C 8
R202		OPEN	D 9
R203		OPEN	C 8
R204	A11368-17823	RES, 17.8K OHM 1% 0.25W 1210	J 2
R205		OPEN	B 8
R206		OPEN	A 9
R207		OPEN	B 8
R208	A11368-22101	221OHM 0.1W 1% 0805 T/R	L 3
R209	A11371-1052	1. MOHM .125W 5% CHIP RES T/R	G 3
R210	A11368-10041	1M OHM .1W 1% CHIP 0805	H 3
R211	A11368-47520	RES, 47.5 K OHM 1/16W 1% 0603	H 3
R212	A11368-75011	7.50K .10W 1% CHIP 0805	H 3
R213	A11368-47520	RES, 47.5 K OHM 1/16W 1% 0603	H 3
R214	A11368-35721	35.7 KOHM 0.1W 1% 0805 T/R	K 3

138349-14 REV. A		PWA, XTI4000	600029
R215	A11368-22101	221OHM 0.1W 1% 0805 T/R	K 2
R216	A11368-22101	221OHM 0.1W 1% 0805 T/R	K 3
R217		OPEN	I 2
R218	A11368-10020	RES, 10.0 KOHM 1/16W 1% 0603	H 1
R219	A11368-10031	100.KOHM .1W 1% CHIP 0805	I 2
R220	A11368-37401	374 OHM .1W 1% CHIP 0805	C 1
R221		OPEN	E 3
R222	A11368-15010	RES, 1.5 K OHM 1/16W 1% 0603	G 9
R223	A11368-20021	20.KOHM .1W 1% CHIP 0805	C 3
R224	A11371-15R3	RES, 15 OHM .25W 5% 1210 T/R	A 9
R225	A11368-47001	470 OHM, 0.10W 1% MF 0805	K 2
R226	A11368-35721	35.7 KOHM 0.1W 1% 0805 T/R	K 3
R227	A11368-10020	RES, 10.0 KOHM 1/16W 1% 0603	L 3
R228	A11368-37401	374 OHM .1W 1% CHIP 0805	E 1
R229	A11368-37411	3.74K OHM 1% 0.1W 0805 T/R	K 2
R230		OPEN	I 2
R231	A11368-10020	RES, 10.0 KOHM 1/16W 1% 0603	M 2
R232	A11368-18211	1.82KOHM .1W 1% 0805 T/R	M 2
R233	A11368-10020	RES, 10.0 KOHM 1/16W 1% 0603	L 2
R234	A11368-10020	RES, 10.0 KOHM 1/16W 1% 0603	L 3
R235	A11368-18211	1.82KOHM .1W 1% 0805 T/R	L 3
R236	A11368-10020	RES, 10.0 KOHM 1/16W 1% 0603	L 3
R237		OPEN	I 2
R238		OPEN	I 2
R239		OPEN	I 2
R240	A11368-47001	470 OHM, 0.10W 1% MF 0805	J 2
R241		OPEN	J 2
R242	A11368-10011	1.KOHM .1W 1% CHIP 0805	I 3
R243	A11368-10023	10.0KOHM .25W 1% 1210 T/R	J 3
R244	A11368-17823	RES, 17.8K OHM 1% 0.25W 1210	J 3
R245	A11368-75R00	RES, 75 OHM 1/16W 1% 0603	J 3
R246	A11368-75R00	RES, 75 OHM 1/16W 1% 0603	J 3
R247	A11368-75R00	RES, 75 OHM 1/16W 1% 0603	K 3
R248	A11368-15000	RES, 150 OHM 1% 1/16W 0603	K 3
R249	A11368-93101	RES, 931 OHM 1% 0.1W 0805	I 2
R250	A11368-75R00	RES, 75 OHM 1/16W 1% 0603	K 3
R251	A11368-51111	5.11KOHM .1W 1% 0805 T/R	J 3
R252	133871-1	TRIMPOT, 500 OHM TOP ADJ T/R	J 3
R253	A11368-75000	RES, 750 OHM 1/16W 1% 0603	K 10
R254	A11368-32400	324 OHM 1/16W 1% 0603 T/R	J 9
R255	A11368-34001	RES, 340 OHM 1% 0.1W SMT 0805	J 6
R256	A11368-34001	RES, 340 OHM 1% 0.1W SMT 0805	J 3
R257	A11368-22R11	22.1 OHM 0.1W 1% 0805 T/R	J 5
R258	A11368-10003	100 OHM 0.25W 1% 1210 T/R	J 5
R259	A11368-10000	RES, 100 OHM 1/16W 1% 0603	G 6
R260	A11368-10000	RES, 100 OHM 1/16W 1% 0603	G 5
R261	A11368-13011	1.3KOHM .1W 1% 0805 T/R	H 6
R262	A11368-13011	1.3KOHM .1W 1% 0805 T/R	H 5
R263	A11368-13011	1.3KOHM .1W 1% 0805 T/R	I 6
R264	A11368-13011	1.3KOHM .1W 1% 0805 T/R	I 5
R265	A11368-13011	1.3KOHM .1W 1% 0805 T/R	K 6
R266	A11368-13011	1.3KOHM .1W 1% 0805 T/R	L 5
R267	A11368-13011	1.3KOHM .1W 1% 0805 T/R	K 5
R268	A11368-13011	1.3KOHM .1W 1% 0805 T/R	L 5
R269	A11368-12111	RES, 1.21K 1% 0.1W SMT 0805	D 8
R270	A11368-12111	RES, 1.21K 1% 0.1W SMT 0805	A 8
R271	A11368-12111	RES, 1.21K 1% 0.1W SMT 0805	L 8
R272	A11368-12111	RES, 1.21K 1% 0.1W SMT 0805	J 8
R273		OPEN	D 3

138349-14 REV. A

PWA, XT14000

600029

R274		OPEN	J 2
R275		OPEN	C 1
R276	A11368-93101	RES, 931 OHM 1% 0.1W 0805	J 2
R277	A11368-10010	RES, 1.0 KOHM 1/16W 1% 0603	L 3
R278	A11368-10010	RES, 1.0 KOHM 1/16W 1% 0603	L 3
R279	A11368-64900	649 OHM 1/16W 1% 0603 T/R	L 3
R280	A11368-20031	200K 0.1W 1% SMD CHIP 0805	L 3
R281	A11368-20031	200K 0.1W 1% SMD CHIP 0805	M 3
R282	A11368-49900	RES, 499 OHM 1/16W 1% 0603	M 3
R283	A11368-18211	1.82KOHM .1W 1% 0805 T/R	M 3
R284	A11368-10020	RES, 10.0 KOHM 1/16W 1% 0603	M 2
R285	A11368-12111	RES, 1.21K 1% 0.1W SMT 0805	J 3
R286	A11368-18211	1.82KOHM .1W 1% 0805 T/R	J 3
R287	A11368-10010	RES, 1.0 KOHM 1/16W 1% 0603	L 3
R288	A11368-10020	RES, 10.0 KOHM 1/16W 1% 0603	H 1
R289	A11368-10010	RES, 1.0 KOHM 1/16W 1% 0603	L 2
R290	A11368-22R11	22.1 OHM 0.1W 1% 0805 T/R	J 3
R291		OPEN	L 8
R292		OPEN	K 8
R293		OPEN	L 8
R294		OPEN	L 8
R295		OPEN	M 8
R296		OPEN	L 8
R297		OPEN	L 3
R298		OPEN	J 8
R299		OPEN	L 3
R300		OPEN	G 6
R301		OPEN	G 5
R302	A11371-8205	82 OHM 1W 5% SMD 2512	L 8
R303	A11371-15R3	RES, 15 OHM .25W 5% 1210 T/R	K 9
R304	A11368-37401	374 OHM .1W 1% CHIP 0805	C 1
R305		OPEN	G 3
R307	139351-1	RES, 35.7K OHM 1% 1W RAD T/R	L 9
R308		OPEN	M 9
R309		OPEN	L 8
R311		OPEN	K 8
R312		OPEN	J 9
R313		OPEN	K 8
R314	A11371-1052	1. MOHM .125W 5% CHIP RES T/R	G 3
R315	A11368-10041	1M OHM .1W 1% CHIP 0805	H 3
R316	A11368-30910	RES, 3.09K OHM 1% 1/16W 0603	J 9
R317		OPEN	L 11
R318	A11368-37401	374 OHM .1W 1% CHIP 0805	E 1
R319	A11368-7R503	RES, 7.5 OHM 1% 0.25W 1210 T/R	B 6
R320		OPEN	L 3
R321	A11368-15010	RES, 1.5 K OHM 1/16W 1% 0603	G 9
R322	A11368-20021	20.KOHM .1W 1% CHIP 0805	I 3
R323	A11371-15R3	RES, 15 OHM .25W 5% 1210 T/R	A 9
R324	A11368-64911	6.49KOHM .1W 1% 0805 T/R	H 3
R325	A11368-64911	6.49KOHM .1W 1% 0805 T/R	I 3
R326	A11368-12103	121OHM 0.25W 1% 1210 T/R	Q 2
R327	A11368-7R503	RES, 7.5 OHM 1% 0.25W 1210 T/R	B 6
R328	A11368-7R503	RES, 7.5 OHM 1% 0.25W 1210 T/R	B 6
R329	A11368-10010	RES, 1.0 KOHM 1/16W 1% 0603	Q 2
R330	A11368-12103	121OHM 0.25W 1% 1210 T/R	Q 1
R331	A11368-10020	RES, 10.0 KOHM 1/16W 1% 0603	Q 2
R332	A11368-35720	RES, 35.7K OHM 1% 1/16W 0603	Q 3
R333	A11368-10010	RES, 1.0 KOHM 1/16W 1% 0603	Q 1
R334	A11368-47510	RES, 4.75 KOHM 1/16W 1% 0603	M 3

XT14000 BOM 138349-14_A.xls

R04.1CDE-004_(Fm) JAW 10/6/01

CROWN AUDIO, INC. ELKHART, IN.

20 OF 30

138349-14 REV. A		PWA, XTI4000	600029
R335	A11368-35700	RES, 357 OHM 1/16W 1% 0603	M 3
R336	A11368-10R00	RES, 10 OHM 1/16W 1% 0603	M 3
R337	A11368-10030	RES, 100.0 KOHM 1/16W 1% 0603	N 7
R338	A11368-10030	RES, 100.0 KOHM 1/16W 1% 0603	K 1
R339	A11368-10030	RES, 100.0 KOHM 1/16W 1% 0603	K 1
R340	A11368-22120	RES, 22.1 KOHM 1% 1/16W 0603	K 1
R341	A11368-22120	RES, 22.1 KOHM 1% 1/16W 0603	K 1
R342	A11368-10000	RES, 100 OHM 1/16W 1% 0603	K 2
R343	A11368-10020	RES, 10.0 KOHM 1/16W 1% 0603	H 1
R344		OPEN	H 1
R345	A11368-49923	49.9KOHM .25W 1% CHIP 1210	Q 8
R346	A11368-49923	49.9KOHM .25W 1% CHIP 1210	P 8
R347	A11368-51R10	RES, 51.1 OHM 1/16W 1% 0603	N 1
R348	A11368-10R01	10 OHM .1W 1% 0805 T/R	N 1
R349	A11368-51R10	RES, 51.1 OHM 1/16W 1% 0603	N 2
R350	A11368-10R01	10 OHM .1W 1% 0805 T/R	N 2
R351	A11371-8205	82 OHM 1W 5% SMD 2512	C 8
R352	A11371-8205	82 OHM 1W 5% SMD 2512	L 8
R353	A11368-10020	RES, 10.0 KOHM 1/16W 1% 0603	H 2
R354	A11368-24R91	RES, 24.9 OHM 1% 0.1W 0805	G 8
R355	A11371-5R65	5.6 OHM 1W 5% 2512 T/R	A 11
R356	A11368-24R91	RES, 24.9 OHM 1% 0.1W 0805	G 10
R357	A11368-10020	RES, 10.0 KOHM 1/16W 1% 0603	K 10
R358	A11368-10020	RES, 10.0 KOHM 1/16W 1% 0603	J 9
R359	A11368-60410	RES, 6.04 KOHM 1/16W 1% 0603	G 8
R360	A11368-60410	RES, 6.04 KOHM 1/16W 1% 0603	G 8
R361	A11368-10020	RES, 10.0 KOHM 1/16W 1% 0603	C 9
R362	A11368-15010	RES, 1.5 K OHM 1/16W 1% 0603	G 9
R363	A11368-10020	RES, 10.0 KOHM 1/16W 1% 0603	Q 2
R364	A11368-7R503	RES, 7.5 OHM 1% 0.25W 1210 T/R	B 7
R365	A11368-7R503	RES, 7.5 OHM 1% 0.25W 1210 T/R	B 7
R366	A11368-7R503	RES, 7.5 OHM 1% 0.25W 1210 T/R	B 7
R367	A11368-37411	3.74K OHM 1% 0.1W 0805 T/R	N 1
R368	A11368-10010	RES, 1.0 KOHM 1/16W 1% 0603	N 1
R369	A11368-10010	RES, 1.0 KOHM 1/16W 1% 0603	N 1
R370	133483-1	48.7 KOHM 1W 1% RAD T/A	O 1
R371	133483-1	48.7 KOHM 1W 1% RAD T/A	O 2
R372	133483-1	48.7 KOHM 1W 1% RAD T/A	O 2
R373	133483-1	48.7 KOHM 1W 1% RAD T/A	O 1
R374	133483-1	48.7 KOHM 1W 1% RAD T/A	O 2
R375	A11368-10010	RES, 1.0 KOHM 1/16W 1% 0603	O 1
R376	133483-1	48.7 KOHM 1W 1% RAD T/A	P 3
R377	A11368-20030	RES, 200 KOHM 1/16W 1% 0603	P 1
R378	133483-1	48.7 KOHM 1W 1% RAD T/A	O 1
R379	A11368-20030	RES, 200 KOHM 1/16W 1% 0603	P 1
R380	A11368-68120	RES, 68.1 KOHM 1/16W 1% 0603	O 1
R381	A11368-15031	150K 1/10W 1% SMD 0805 T/R	O 1
R382	A11368-75000	RES, 750 OHM 1/16W 1% 0603	J 9
R383	A11368-10000	RES, 100 OHM 1/16W 1% 0603	J 9
R384	A11368-10003	100 OHM 0.25W 1% 1210 T/R	N 6
R385	A11368-10003	100 OHM 0.25W 1% 1210 T/R	N 6
R386	A11368-10003	100 OHM 0.25W 1% 1210 T/R	N 6
R387	A11368-10003	100 OHM 0.25W 1% 1210 T/R	N 6
R388	A11368-10000	RES, 100 OHM 1/16W 1% 0603	K 10
R389	A11368-10030	RES, 100.0 KOHM 1/16W 1% 0603	K 2
R390	A11368-42200	RES, 422 OHM 1/16W 1% 0603	I 11
R391	A11368-10000	RES, 100 OHM 1/16W 1% 0603	C 9
R392	A11368-49910	RES, 4.99 KOHM 1/16W 1% 0603	C 10
R393	A11368-10R00	RES, 10 OHM 1/16W 1% 0603	G 11

138349-14 REV. A		PWA, XTI4000	600029
R394	A11368-10R00	RES, 10 OHM 1/16W 1% 0603	G 11
R395	A11368-10R00	RES, 10 OHM 1/16W 1% 0603	H 11
R396	A11368-10R00	RES, 10 OHM 1/16W 1% 0603	H 11
R397	A11368-71520	RES, 71.5 KOHM 1/16W 1% 0603	C 10
R398	A11368-10R00	RES, 10 OHM 1/16W 1% 0603	O 1
R399	A11368-10020	RES, 10.0 KOHM 1/16W 1% 0603	H 2
R400	A11368-10020	RES, 10.0 KOHM 1/16W 1% 0603	H 2
R401	A11368-10R00	RES, 10 OHM 1/16W 1% 0603	O 1
R402	A11368-10R00	RES, 10 OHM 1/16W 1% 0603	O 1
R403	A11368-10000	RES, 100 OHM 1/16W 1% 0603	B 10
R404	A11368-49910	RES, 4.99 KOHM 1/16W 1% 0603	C 10
R405	A11368-35720	RES, 35.7K OHM 1% 1/16W 0603	C 10
R406	A11371-2250	RES, 2.2 MOHM 1/16W 5% 0603	P 1
R407	A11371-2250	RES, 2.2 MOHM 1/16W 5% 0603	P 1
R408	A11368-20010	RES, 2.0 KOHM 1/16W 1% 0603	C 10
R409	A11368-10020	RES, 10.0 KOHM 1/16W 1% 0603	C 9
R410	A11371-0R01	RES, 0 OHM 0805 50 MILOHM MAX	C 8
R411	A11368-24R91	RES, 24.9 OHM 1% 0.1W 0805	G 8
R412	A11368-10011	1.KOHM .1W 1% CHIP 0805	D 8
R413	A11368-24R91	RES, 24.9 OHM 1% 0.1W 0805	G 10
R414	A11368-32410	RES, 3.24 K OHM 1/16W 1% 0603	C 10
R415	A11368-49910	RES, 4.99 KOHM 1/16W 1% 0603	D 9
R416	A11368-17411	1.74KOHM .1W 1% CHIP 0805	D 9
R417	A11368-49910	RES, 4.99 KOHM 1/16W 1% 0603	D 9
R418	A11368-35720	RES, 35.7K OHM 1% 1/16W 0603	D 9
R419	A11368-49910	RES, 4.99 KOHM 1/16W 1% 0603	L 10
R420	A11368-35720	RES, 35.7K OHM 1% 1/16W 0603	L 10
R421	A11368-14010	RES, 1.40 KOHM 1/16W 1% 0603	C 10
R422	A11368-14010	RES, 1.40 KOHM 1/16W 1% 0603	L 10
R423	A11368-10020	RES, 10.0 KOHM 1/16W 1% 0603	H 2
R424		OPEN	H 1
R425	133483-1	48.7 KOHM 1W 1% RAD T/A	O 5
R426	A11368-10R00	RES, 10 OHM 1/16W 1% 0603	G 11
R427	A11368-10R00	RES, 10 OHM 1/16W 1% 0603	F 11
R428	A11368-7R503	RES, 7.5 OHM 1% 0.25W 1210 T/R	B 7
R429	A11368-7R503	RES, 7.5 OHM 1% 0.25W 1210 T/R	B 8
R430	A11368-7R503	RES, 7.5 OHM 1% 0.25W 1210 T/R	B 8
R431	A11368-7R503	RES, 7.5 OHM 1% 0.25W 1210 T/R	B 7
R432	A11368-7R503	RES, 7.5 OHM 1% 0.25W 1210 T/R	B 7
R433	A11368-7R503	RES, 7.5 OHM 1% 0.25W 1210 T/R	B 7
R434	A11368-7R503	RES, 7.5 OHM 1% 0.25W 1210 T/R	B 7
R435	A11368-7R503	RES, 7.5 OHM 1% 0.25W 1210 T/R	B 6
R436	A11368-7R503	RES, 7.5 OHM 1% 0.25W 1210 T/R	B 6
R437	A11368-7R503	RES, 7.5 OHM 1% 0.25W 1210 T/R	B 6
R438	A11368-7R503	RES, 7.5 OHM 1% 0.25W 1210 T/R	C 6
R439	A11368-7R503	RES, 7.5 OHM 1% 0.25W 1210 T/R	C 6
R440	A11368-7R503	RES, 7.5 OHM 1% 0.25W 1210 T/R	C 6
R441	A11368-7R503	RES, 7.5 OHM 1% 0.25W 1210 T/R	C 7
R442	A11368-7R503	RES, 7.5 OHM 1% 0.25W 1210 T/R	C 7
R443	A11368-7R503	RES, 7.5 OHM 1% 0.25W 1210 T/R	C 7
R444	A11368-7R503	RES, 7.5 OHM 1% 0.25W 1210 T/R	C 7
R445	A11368-7R503	RES, 7.5 OHM 1% 0.25W 1210 T/R	C 8
R446	A11368-7R503	RES, 7.5 OHM 1% 0.25W 1210 T/R	C 8
R447	A11368-7R503	RES, 7.5 OHM 1% 0.25W 1210 T/R	C 7
R448	A11368-7R503	RES, 7.5 OHM 1% 0.25W 1210 T/R	C 7
R449	A11368-7R503	RES, 7.5 OHM 1% 0.25W 1210 T/R	C 7
R450	A11368-7R503	RES, 7.5 OHM 1% 0.25W 1210 T/R	B 7
R451	A11368-7R503	RES, 7.5 OHM 1% 0.25W 1210 T/R	B 6
R452	A11368-7R503	RES, 7.5 OHM 1% 0.25W 1210 T/R	B 6

138349-14 REV. A		PWA, XTI4000	600029
R453	A11368-7R503	RES, 7.5 OHM 1% 0.25W 1210 T/R	B 6
R454	A11368-7R503	RES, 7.5 OHM 1% 0.25W 1210 T/R	E 6
R455	A11368-7R503	RES, 7.5 OHM 1% 0.25W 1210 T/R	E 6
R456	A11368-7R503	RES, 7.5 OHM 1% 0.25W 1210 T/R	E 6
R457	A11368-7R503	RES, 7.5 OHM 1% 0.25W 1210 T/R	E 7
R458	A11368-7R503	RES, 7.5 OHM 1% 0.25W 1210 T/R	E 7
R459	A11368-7R503	RES, 7.5 OHM 1% 0.25W 1210 T/R	E 7
R460	A11368-7R503	RES, 7.5 OHM 1% 0.25W 1210 T/R	E 7
R461	A11368-7R503	RES, 7.5 OHM 1% 0.25W 1210 T/R	E 8
R462	A11368-7R503	RES, 7.5 OHM 1% 0.25W 1210 T/R	E 8
R463	A11368-7R503	RES, 7.5 OHM 1% 0.25W 1210 T/R	E 7
R464	A11368-7R503	RES, 7.5 OHM 1% 0.25W 1210 T/R	E 7
R465	A11368-7R503	RES, 7.5 OHM 1% 0.25W 1210 T/R	E 7
R466	A11368-7R503	RES, 7.5 OHM 1% 0.25W 1210 T/R	E 7
R467	A11368-7R503	RES, 7.5 OHM 1% 0.25W 1210 T/R	E 6
R468	A11368-7R503	RES, 7.5 OHM 1% 0.25W 1210 T/R	E 6
R469	A11368-7R503	RES, 7.5 OHM 1% 0.25W 1210 T/R	E 6
R470	A11368-7R503	RES, 7.5 OHM 1% 0.25W 1210 T/R	F 6
R471	A11368-7R503	RES, 7.5 OHM 1% 0.25W 1210 T/R	F 6
R472	A11368-7R503	RES, 7.5 OHM 1% 0.25W 1210 T/R	F 6
R473	A11368-7R503	RES, 7.5 OHM 1% 0.25W 1210 T/R	F 6
R474	A11368-7R503	RES, 7.5 OHM 1% 0.25W 1210 T/R	F 7
R475	A11368-7R503	RES, 7.5 OHM 1% 0.25W 1210 T/R	F 7
R476	A11368-7R503	RES, 7.5 OHM 1% 0.25W 1210 T/R	F 7
R477	A11368-7R503	RES, 7.5 OHM 1% 0.25W 1210 T/R	F 7
R478	A11368-7R503	RES, 7.5 OHM 1% 0.25W 1210 T/R	F 7
R479	A11368-7R503	RES, 7.5 OHM 1% 0.25W 1210 T/R	F 7
R480	A11368-7R503	RES, 7.5 OHM 1% 0.25W 1210 T/R	F 7
R481	A11368-7R503	RES, 7.5 OHM 1% 0.25W 1210 T/R	F 7
R482	A11368-7R503	RES, 7.5 OHM 1% 0.25W 1210 T/R	F 6
R483	A11368-7R503	RES, 7.5 OHM 1% 0.25W 1210 T/R	F 6
R484	A11368-7R503	RES, 7.5 OHM 1% 0.25W 1210 T/R	F 6
R485	A11368-7R503	RES, 7.5 OHM 1% 0.25W 1210 T/R	F 6
R486	A11368-7R503	RES, 7.5 OHM 1% 0.25W 1210 T/R	B 4
R487	A11368-7R503	RES, 7.5 OHM 1% 0.25W 1210 T/R	B 4
R488	A11368-7R503	RES, 7.5 OHM 1% 0.25W 1210 T/R	B 4
R489	A11368-7R503	RES, 7.5 OHM 1% 0.25W 1210 T/R	B 4
R490	A11368-7R503	RES, 7.5 OHM 1% 0.25W 1210 T/R	B 5
R491	A11368-7R503	RES, 7.5 OHM 1% 0.25W 1210 T/R	B 5
R492	A11368-7R503	RES, 7.5 OHM 1% 0.25W 1210 T/R	B 5
R493	A11368-7R503	RES, 7.5 OHM 1% 0.25W 1210 T/R	B 5
R494	A11368-7R503	RES, 7.5 OHM 1% 0.25W 1210 T/R	B 5
R495	A11368-7R503	RES, 7.5 OHM 1% 0.25W 1210 T/R	B 5
R496	A11368-7R503	RES, 7.5 OHM 1% 0.25W 1210 T/R	B 5
R497	A11368-7R503	RES, 7.5 OHM 1% 0.25W 1210 T/R	B 5
R498	A11368-7R503	RES, 7.5 OHM 1% 0.25W 1210 T/R	B 4
R499	A11368-7R503	RES, 7.5 OHM 1% 0.25W 1210 T/R	B 4
R500	A11368-7R503	RES, 7.5 OHM 1% 0.25W 1210 T/R	B 4
R501	A11368-7R503	RES, 7.5 OHM 1% 0.25W 1210 T/R	B 4
R502	A11368-7R503	RES, 7.5 OHM 1% 0.25W 1210 T/R	C 4
R503	A11368-7R503	RES, 7.5 OHM 1% 0.25W 1210 T/R	C 4
R504	A11368-7R503	RES, 7.5 OHM 1% 0.25W 1210 T/R	C 4
R505	A11368-7R503	RES, 7.5 OHM 1% 0.25W 1210 T/R	C 4
R506	A11368-7R503	RES, 7.5 OHM 1% 0.25W 1210 T/R	C 5
R507	A11368-7R503	RES, 7.5 OHM 1% 0.25W 1210 T/R	C 5
R508	A11368-7R503	RES, 7.5 OHM 1% 0.25W 1210 T/R	C 5
R509	A11368-7R503	RES, 7.5 OHM 1% 0.25W 1210 T/R	C 5
R510	A11368-7R503	RES, 7.5 OHM 1% 0.25W 1210 T/R	C 5
R511	A11368-7R503	RES, 7.5 OHM 1% 0.25W 1210 T/R	B 5

138349-14 REV. A		PWA, XTI4000	600029
R512	A11368-7R503	RES, 7.5 OHM 1% 0.25W 1210 T/R	B 5
R513	A11368-7R503	RES, 7.5 OHM 1% 0.25W 1210 T/R	B 5
R514	A11368-7R503	RES, 7.5 OHM 1% 0.25W 1210 T/R	B 4
R515	A11368-7R503	RES, 7.5 OHM 1% 0.25W 1210 T/R	B 4
R516	A11368-7R503	RES, 7.5 OHM 1% 0.25W 1210 T/R	B 4
R517	A11368-7R503	RES, 7.5 OHM 1% 0.25W 1210 T/R	B 4
R518	A11368-7R503	RES, 7.5 OHM 1% 0.25W 1210 T/R	E 4
R519	A11368-7R503	RES, 7.5 OHM 1% 0.25W 1210 T/R	E 4
R520	A11368-7R503	RES, 7.5 OHM 1% 0.25W 1210 T/R	E 4
R521	A11368-7R503	RES, 7.5 OHM 1% 0.25W 1210 T/R	E 4
R522	A11368-7R503	RES, 7.5 OHM 1% 0.25W 1210 T/R	E 5
R523	A11368-7R503	RES, 7.5 OHM 1% 0.25W 1210 T/R	E 5
R524	A11368-7R503	RES, 7.5 OHM 1% 0.25W 1210 T/R	E 5
R525	A11368-7R503	RES, 7.5 OHM 1% 0.25W 1210 T/R	E 5
R526	A11368-7R503	RES, 7.5 OHM 1% 0.25W 1210 T/R	E 5
R527	A11368-7R503	RES, 7.5 OHM 1% 0.25W 1210 T/R	E 5
R528	A11368-7R503	RES, 7.5 OHM 1% 0.25W 1210 T/R	E 5
R529	A11368-7R503	RES, 7.5 OHM 1% 0.25W 1210 T/R	E 5
R530	A11368-7R503	RES, 7.5 OHM 1% 0.25W 1210 T/R	E 4
R531	A11368-7R503	RES, 7.5 OHM 1% 0.25W 1210 T/R	E 4
R532	A11368-7R503	RES, 7.5 OHM 1% 0.25W 1210 T/R	E 4
R533	A11368-7R503	RES, 7.5 OHM 1% 0.25W 1210 T/R	E 4
R534	A11368-7R503	RES, 7.5 OHM 1% 0.25W 1210 T/R	F 4
R535	A11368-7R503	RES, 7.5 OHM 1% 0.25W 1210 T/R	F 4
R536	A11368-7R503	RES, 7.5 OHM 1% 0.25W 1210 T/R	F 4
R537	A11368-7R503	RES, 7.5 OHM 1% 0.25W 1210 T/R	F 4
R538	A11368-7R503	RES, 7.5 OHM 1% 0.25W 1210 T/R	F 5
R539	A11368-7R503	RES, 7.5 OHM 1% 0.25W 1210 T/R	F 5
R540	A11368-7R503	RES, 7.5 OHM 1% 0.25W 1210 T/R	F 5
R541	A11368-7R503	RES, 7.5 OHM 1% 0.25W 1210 T/R	F 5
R542	A11368-7R503	RES, 7.5 OHM 1% 0.25W 1210 T/R	F 5
R543	A11368-7R503	RES, 7.5 OHM 1% 0.25W 1210 T/R	F 5
R544	A11368-7R503	RES, 7.5 OHM 1% 0.25W 1210 T/R	F 5
R545	A11368-7R503	RES, 7.5 OHM 1% 0.25W 1210 T/R	F 5
R546	A11368-7R503	RES, 7.5 OHM 1% 0.25W 1210 T/R	F 4
R547	A11368-7R503	RES, 7.5 OHM 1% 0.25W 1210 T/R	F 4
R548	A11368-7R503	RES, 7.5 OHM 1% 0.25W 1210 T/R	F 4
R549	A11368-7R503	RES, 7.5 OHM 1% 0.25W 1210 T/R	F 4
R550	A11368-7R503	RES, 7.5 OHM 1% 0.25W 1210 T/R	H 6
R551	A11368-7R503	RES, 7.5 OHM 1% 0.25W 1210 T/R	H 6
R552	A11368-7R503	RES, 7.5 OHM 1% 0.25W 1210 T/R	H 6
R553	A11368-7R503	RES, 7.5 OHM 1% 0.25W 1210 T/R	H 7
R554	A11368-7R503	RES, 7.5 OHM 1% 0.25W 1210 T/R	H 7
R555	A11368-7R503	RES, 7.5 OHM 1% 0.25W 1210 T/R	H 7
R556	A11368-7R503	RES, 7.5 OHM 1% 0.25W 1210 T/R	H 7
R557	A11368-7R503	RES, 7.5 OHM 1% 0.25W 1210 T/R	H 8
R558	A11368-7R503	RES, 7.5 OHM 1% 0.25W 1210 T/R	H 7
R559	A11368-7R503	RES, 7.5 OHM 1% 0.25W 1210 T/R	H 7
R560	A11368-7R503	RES, 7.5 OHM 1% 0.25W 1210 T/R	H 7
R561	A11368-7R503	RES, 7.5 OHM 1% 0.25W 1210 T/R	H 7
R562	A11368-7R503	RES, 7.5 OHM 1% 0.25W 1210 T/R	H 7
R563	A11368-7R503	RES, 7.5 OHM 1% 0.25W 1210 T/R	H 6
R564	A11368-7R503	RES, 7.5 OHM 1% 0.25W 1210 T/R	H 6
R565	A11368-7R503	RES, 7.5 OHM 1% 0.25W 1210 T/R	H 6
R566	A11368-7R503	RES, 7.5 OHM 1% 0.25W 1210 T/R	I 6
R567	A11368-7R503	RES, 7.5 OHM 1% 0.25W 1210 T/R	I 6
R568	A11368-7R503	RES, 7.5 OHM 1% 0.25W 1210 T/R	I 6
R569	A11368-7R503	RES, 7.5 OHM 1% 0.25W 1210 T/R	I 7
R570	A11368-7R503	RES, 7.5 OHM 1% 0.25W 1210 T/R	I 7

138349-14 REV. A		PWA, XTI4000	600029
R571	A11368-7R503	RES, 7.5 OHM 1% 0.25W 1210 T/R	I 7
R572	A11368-7R503	RES, 7.5 OHM 1% 0.25W 1210 T/R	I 7
R573	A11368-7R503	RES, 7.5 OHM 1% 0.25W 1210 T/R	I 8
R574	A11368-7R503	RES, 7.5 OHM 1% 0.25W 1210 T/R	I 8
R575	A11368-7R503	RES, 7.5 OHM 1% 0.25W 1210 T/R	I 7
R576	A11368-7R503	RES, 7.5 OHM 1% 0.25W 1210 T/R	I 7
R577	A11368-7R503	RES, 7.5 OHM 1% 0.25W 1210 T/R	I 7
R578	A11368-7R503	RES, 7.5 OHM 1% 0.25W 1210 T/R	I 7
R579	A11368-7R503	RES, 7.5 OHM 1% 0.25W 1210 T/R	I 6
R580	A11368-7R503	RES, 7.5 OHM 1% 0.25W 1210 T/R	I 6
R581	A11368-7R503	RES, 7.5 OHM 1% 0.25W 1210 T/R	I 6
R582	A11368-7R503	RES, 7.5 OHM 1% 0.25W 1210 T/R	K 6
R583	A11368-7R503	RES, 7.5 OHM 1% 0.25W 1210 T/R	K 6
R584	A11368-7R503	RES, 7.5 OHM 1% 0.25W 1210 T/R	K 6
R585	A11368-7R503	RES, 7.5 OHM 1% 0.25W 1210 T/R	K 7
R586	A11368-7R503	RES, 7.5 OHM 1% 0.25W 1210 T/R	K 7
R587	A11368-7R503	RES, 7.5 OHM 1% 0.25W 1210 T/R	K 7
R588	A11368-7R503	RES, 7.5 OHM 1% 0.25W 1210 T/R	K 7
R589	A11368-7R503	RES, 7.5 OHM 1% 0.25W 1210 T/R	K 8
R590	A11368-7R503	RES, 7.5 OHM 1% 0.25W 1210 T/R	K 8
R591	A11368-7R503	RES, 7.5 OHM 1% 0.25W 1210 T/R	K 7
R592	A11368-7R503	RES, 7.5 OHM 1% 0.25W 1210 T/R	K 7
R593	A11368-7R503	RES, 7.5 OHM 1% 0.25W 1210 T/R	K 7
R594	A11368-7R503	RES, 7.5 OHM 1% 0.25W 1210 T/R	K 7
R595	A11368-7R503	RES, 7.5 OHM 1% 0.25W 1210 T/R	K 6
R596	A11368-7R503	RES, 7.5 OHM 1% 0.25W 1210 T/R	K 6
R597	A11368-7R503	RES, 7.5 OHM 1% 0.25W 1210 T/R	K 6
R598	A11368-7R503	RES, 7.5 OHM 1% 0.25W 1210 T/R	M 6
R599	A11368-7R503	RES, 7.5 OHM 1% 0.25W 1210 T/R	M 6
R600	A11368-7R503	RES, 7.5 OHM 1% 0.25W 1210 T/R	M 6
R601	A11368-7R503	RES, 7.5 OHM 1% 0.25W 1210 T/R	M 6
R602	A11368-7R503	RES, 7.5 OHM 1% 0.25W 1210 T/R	M 7
R603	A11368-7R503	RES, 7.5 OHM 1% 0.25W 1210 T/R	M 7
R604	A11368-7R503	RES, 7.5 OHM 1% 0.25W 1210 T/R	M 7
R605	A11368-7R503	RES, 7.5 OHM 1% 0.25W 1210 T/R	M 7
R606	A11368-7R503	RES, 7.5 OHM 1% 0.25W 1210 T/R	L 7
R607	A11368-7R503	RES, 7.5 OHM 1% 0.25W 1210 T/R	L 7
R608	A11368-7R503	RES, 7.5 OHM 1% 0.25W 1210 T/R	L 7
R609	A11368-7R503	RES, 7.5 OHM 1% 0.25W 1210 T/R	L 6
R610	A11368-7R503	RES, 7.5 OHM 1% 0.25W 1210 T/R	M 7
R611	A11368-7R503	RES, 7.5 OHM 1% 0.25W 1210 T/R	L 6
R612	A11368-7R503	RES, 7.5 OHM 1% 0.25W 1210 T/R	L 6
R613	A11368-7R503	RES, 7.5 OHM 1% 0.25W 1210 T/R	L 6
R614	A11368-7R503	RES, 7.5 OHM 1% 0.25W 1210 T/R	H 4
R615	A11368-7R503	RES, 7.5 OHM 1% 0.25W 1210 T/R	H 4
R616	A11368-7R503	RES, 7.5 OHM 1% 0.25W 1210 T/R	H 4
R617	A11368-7R503	RES, 7.5 OHM 1% 0.25W 1210 T/R	H 4
R618	A11368-7R503	RES, 7.5 OHM 1% 0.25W 1210 T/R	H 5
R619	A11368-7R503	RES, 7.5 OHM 1% 0.25W 1210 T/R	H 5
R620	A11368-7R503	RES, 7.5 OHM 1% 0.25W 1210 T/R	H 5
R621	A11368-7R503	RES, 7.5 OHM 1% 0.25W 1210 T/R	H 5
R622	A11368-7R503	RES, 7.5 OHM 1% 0.25W 1210 T/R	H 5
R623	A11368-7R503	RES, 7.5 OHM 1% 0.25W 1210 T/R	H 5
R624	A11368-7R503	RES, 7.5 OHM 1% 0.25W 1210 T/R	H 5
R625	A11368-7R503	RES, 7.5 OHM 1% 0.25W 1210 T/R	H 5
R626	A11368-7R503	RES, 7.5 OHM 1% 0.25W 1210 T/R	H 4
R627	A11368-7R503	RES, 7.5 OHM 1% 0.25W 1210 T/R	H 4
R628	A11368-7R503	RES, 7.5 OHM 1% 0.25W 1210 T/R	H 4
R629	A11368-7R503	RES, 7.5 OHM 1% 0.25W 1210 T/R	H 4

138349-14 REV. A		PWA, XTI4000	600029
R630	A11368-7R503	RES, 7.5 OHM 1% 0.25W 1210 T/R	I 4
R631	A11368-7R503	RES, 7.5 OHM 1% 0.25W 1210 T/R	I 4
R632	A11368-7R503	RES, 7.5 OHM 1% 0.25W 1210 T/R	I 4
R633	A11368-7R503	RES, 7.5 OHM 1% 0.25W 1210 T/R	I 4
R634	A11368-7R503	RES, 7.5 OHM 1% 0.25W 1210 T/R	I 5
R635	A11368-7R503	RES, 7.5 OHM 1% 0.25W 1210 T/R	I 5
R636	A11368-7R503	RES, 7.5 OHM 1% 0.25W 1210 T/R	I 5
R637	A11368-7R503	RES, 7.5 OHM 1% 0.25W 1210 T/R	I 5
R638	A11368-7R503	RES, 7.5 OHM 1% 0.25W 1210 T/R	I 5
R639	A11368-7R503	RES, 7.5 OHM 1% 0.25W 1210 T/R	I 5
R640	A11368-7R503	RES, 7.5 OHM 1% 0.25W 1210 T/R	I 5
R641	A11368-7R503	RES, 7.5 OHM 1% 0.25W 1210 T/R	I 5
R642	A11368-7R503	RES, 7.5 OHM 1% 0.25W 1210 T/R	I 4
R643	A11368-7R503	RES, 7.5 OHM 1% 0.25W 1210 T/R	I 4
R644	A11368-7R503	RES, 7.5 OHM 1% 0.25W 1210 T/R	I 4
R645	A11368-7R503	RES, 7.5 OHM 1% 0.25W 1210 T/R	I 4
R646	A11368-7R503	RES, 7.5 OHM 1% 0.25W 1210 T/R	K 5
R647	A11368-7R503	RES, 7.5 OHM 1% 0.25W 1210 T/R	K 5
R648	A11368-7R503	RES, 7.5 OHM 1% 0.25W 1210 T/R	K 5
R649	A11368-7R503	RES, 7.5 OHM 1% 0.25W 1210 T/R	K 5
R650	A11368-7R503	RES, 7.5 OHM 1% 0.25W 1210 T/R	K 4
R651	A11368-7R503	RES, 7.5 OHM 1% 0.25W 1210 T/R	K 4
R652	A11368-7R503	RES, 7.5 OHM 1% 0.25W 1210 T/R	K 4
R653	A11368-7R503	RES, 7.5 OHM 1% 0.25W 1210 T/R	K 4
R654	A11368-7R503	RES, 7.5 OHM 1% 0.25W 1210 T/R	K 4
R655	A11368-7R503	RES, 7.5 OHM 1% 0.25W 1210 T/R	K 4
R656	A11368-7R503	RES, 7.5 OHM 1% 0.25W 1210 T/R	K 4
R657	A11368-7R503	RES, 7.5 OHM 1% 0.25W 1210 T/R	K 4
R658	A11368-7R503	RES, 7.5 OHM 1% 0.25W 1210 T/R	K 5
R659	A11368-7R503	RES, 7.5 OHM 1% 0.25W 1210 T/R	K 5
R660	A11368-7R503	RES, 7.5 OHM 1% 0.25W 1210 T/R	K 5
R661	A11368-7R503	RES, 7.5 OHM 1% 0.25W 1210 T/R	K 5
R662	A11368-7R503	RES, 7.5 OHM 1% 0.25W 1210 T/R	M 5
R663	A11368-7R503	RES, 7.5 OHM 1% 0.25W 1210 T/R	M 5
R664	A11368-7R503	RES, 7.5 OHM 1% 0.25W 1210 T/R	M 5
R665	A11368-7R503	RES, 7.5 OHM 1% 0.25W 1210 T/R	M 5
R666	A11368-7R503	RES, 7.5 OHM 1% 0.25W 1210 T/R	M 4
R667	A11368-7R503	RES, 7.5 OHM 1% 0.25W 1210 T/R	M 4
R668	A11368-7R503	RES, 7.5 OHM 1% 0.25W 1210 T/R	M 4
R669	A11368-7R503	RES, 7.5 OHM 1% 0.25W 1210 T/R	M 4
R670	A11368-7R503	RES, 7.5 OHM 1% 0.25W 1210 T/R	L 4
R671	A11368-7R503	RES, 7.5 OHM 1% 0.25W 1210 T/R	L 4
R672	A11368-7R503	RES, 7.5 OHM 1% 0.25W 1210 T/R	L 4
R673	A11368-7R503	RES, 7.5 OHM 1% 0.25W 1210 T/R	L 4
R674	A11368-7R503	RES, 7.5 OHM 1% 0.25W 1210 T/R	L 5
R675	A11368-7R503	RES, 7.5 OHM 1% 0.25W 1210 T/R	L 5
R676	A11368-7R503	RES, 7.5 OHM 1% 0.25W 1210 T/R	L 5
R677	A11368-7R503	RES, 7.5 OHM 1% 0.25W 1210 T/R	L 5
R678	A11368-10043	1.MOHM .25W 1% CHIP 1210	P 1
R679	A11368-10043	1.MOHM .25W 1% CHIP 1210	P 1
R680	A11368-10041	1M OHM .1W 1% CHIP 0805	P 1
R681	A11368-10003	100 OHM 0.25W 1% 1210 T/R	Q 5
R684	A11368-35700	RES, 357 OHM 1/16W 1% 0603	C 9
R685	A11368-10R00	RES, 10 OHM 1/16W 1% 0603	N 1
R686	A11368-47520	RES, 47.5 K OHM 1/16W 1% 0603	H 3
R687	A11368-20031	200K 0.1W 1% SMD CHIP 0805	G 3
R688	A11368-20031	200K 0.1W 1% SMD CHIP 0805	I 3
R689	A11368-51111	5.11KOHM .1W 1% 0805 T/R	I 3
R690	A11368-22120	RES, 22.1 KOHM 1% 1/16W 0603	I 3

138349-14 REV. A		PWA, XTI4000	600029
R691	A11368-22120	RES, 22.1 KOHM 1% 1/16W 0603	H 3
R692	A11368-19120	RES, 19.1 K OHM 1/16W 1% 0603	I 3
R693	A11368-20520	RES, 20.5 KOHM 1/16W 1% 0603	I 3
R694	A11368-47520	RES, 47.5 K OHM 1/16W 1% 0603	H 3
R695	A11368-20031	200K 0.1W 1% SMD CHIP 0805	I 3
R696	A11368-20031	200K 0.1W 1% SMD CHIP 0805	G 2
R697	A11368-51111	5.11KOHM .1W 1% 0805 T/R	I 3
R698	A11368-10020	RES, 10.0 KOHM 1/16W 1% 0603	B 10
R699	A11368-49921	49.9KOHM .1W 1% CHIP 0805	B 10
R700	A11368-49921	49.9KOHM .1W 1% CHIP 0805	G 8
R701	A11368-49921	49.9KOHM .1W 1% CHIP 0805	B 10
R702	A11368-49921	49.9KOHM .1W 1% CHIP 0805	K 10
R703	A11368-49921	49.9KOHM .1W 1% CHIP 0805	K 10
R704	A11368-20001	200. OHM .1W 1% CHIP 0805	B 10
R705	A11368-49921	49.9KOHM .1W 1% CHIP 0805	J 9
R706	A11368-49921	49.9KOHM .1W 1% CHIP 0805	J 9
R707	A11368-20001	200. OHM .1W 1% CHIP 0805	C 9
R708	A11368-49921	49.9KOHM .1W 1% CHIP 0805	C 9
R709	A11368-20010	RES, 2.0 KOHM 1/16W 1% 0603	L 10
R710	A11368-10031	100.KOHM .1W 1% CHIP 0805	C 10
R711	A11368-49921	49.9KOHM .1W 1% CHIP 0805	C 9
R712	A11368-10031	100.KOHM .1W 1% CHIP 0805	D 9
R713	A11368-17411	1.74KOHM .1W 1% CHIP 0805	K 9
R714	A11368-10020	RES, 10.0 KOHM 1/16W 1% 0603	C 10
R715	A11368-32410	RES, 3.24 K OHM 1/16W 1% 0603	L 10
R716	A11368-10020	RES, 10.0 KOHM 1/16W 1% 0603	D 9
R717	A11368-49910	RES, 4.99 KOHM 1/16W 1% 0603	K 9
R718	A11368-35700	RES, 357 OHM 1/16W 1% 0603	K 9
R719	A11371-0R01	RES, 0 OHM 0805 50 MILOHM MAX	G 9
R720	A11368-49910	RES, 4.99 KOHM 1/16W 1% 0603	K 9
R721	A11368-35720	RES, 35.7K OHM 1% 1/16W 0603	K 9
R722	A11368-20001	200. OHM .1W 1% CHIP 0805	L 10
R723	A11368-20001	200. OHM .1W 1% CHIP 0805	K 9
R724	A11368-10031	100.KOHM .1W 1% CHIP 0805	L 10
R726	A11368-10031	100.KOHM .1W 1% CHIP 0805	K 9
R728	A11368-10020	RES, 10.0 KOHM 1/16W 1% 0603	L 10
R729	A11371-0R01	RES, 0 OHM 0805 50 MILOHM MAX	G 10
R730	A11368-10020	RES, 10.0 KOHM 1/16W 1% 0603	K 9
R731	A11371-0R01	RES, 0 OHM 0805 50 MILOHM MAX	G 9
R732	A11371-0R01	RES, 0 OHM 0805 50 MILOHM MAX	G 10
R733		OPEN	K 11
R734	A11368-20001	200. OHM .1W 1% CHIP 0805	B 10
R735	A11368-20001	200. OHM .1W 1% CHIP 0805	C 9
R736	A11368-20001	200. OHM .1W 1% CHIP 0805	K 10
R737	A11368-20001	200. OHM .1W 1% CHIP 0805	J 9
R738	A11368-10040	RES, 1.00 MOHM 1/16W 1% 0603	H 3
R739	A11368-10040	RES, 1.00 MOHM 1/16W 1% 0603	H 3
R740	A11368-10040	RES, 1.00 MOHM 1/16W 1% 0603	H 3
R741	A11368-10040	RES, 1.00 MOHM 1/16W 1% 0603	H 3
R742	A11368-49910	RES, 4.99 KOHM 1/16W 1% 0603	B 10
R743	A11368-49910	RES, 4.99 KOHM 1/16W 1% 0603	C 9
R744	A11368-10000	RES, 100 OHM 1/16W 1% 0603	A 6
R745	A11368-10000	RES, 100 OHM 1/16W 1% 0603	B 5
R746	A11368-10000	RES, 100 OHM 1/16W 1% 0603	H 6
R747	A11368-10000	RES, 100 OHM 1/16W 1% 0603	I 5
R748	A11368-49910	RES, 4.99 KOHM 1/16W 1% 0603	K 10
R749	A11368-49910	RES, 4.99 KOHM 1/16W 1% 0603	J 9
R750	A11368-10011	1.KOHM .1W 1% CHIP 0805	A 8
R751	A11368-10R00	RES, 10 OHM 1/16W 1% 0603	F 11

138349-14 REV. A		PWA, XTI4000	600029
R752	A11368-10R00	RES, 10 OHM 1/16W 1% 0603	I 11
R753	A11368-49910	RES, 4.99 KOHM 1/16W 1% 0603	D 9
R754	A11368-71520	RES, 71.5 KOHM 1/16W 1% 0603	D 9
R755	A11368-21510	RES, 2.15 KOHM 1/16W 1% 0603	M 3
R756	A11368-49910	RES, 4.99 KOHM 1/16W 1% 0603	L 10
R757	A11368-71520	RES, 71.5 KOHM 1/16W 1% 0603	L 10
R759	A11368-49910	RES, 4.99 KOHM 1/16W 1% 0603	K 9
R760	A11368-71520	RES, 71.5 KOHM 1/16W 1% 0603	K 9
R762	A11371-15R3	RES, 15 OHM .25W 5% 1210 T/R	K 9
R763	A11371-15R3	RES, 15 OHM .25W 5% 1210 T/R	K 8
R764	A11368-28701	287 OHM .1W 1% CHIP 0805	H 3
R765	A11368-28701	287 OHM .1W 1% CHIP 0805	H 3
R766	A11368-30R13	30.1 OHM .25W 1% 1210 T/R	B 6
R767	A11368-12721	12.7K 0.1W 1% 0805 T/R	C 5
R768	A11368-30R13	30.1 OHM .25W 1% 1210 T/R	B 5
R769	A11368-12721	12.7K 0.1W 1% 0805 T/R	C 3
R770	A11368-30R13	30.1 OHM .25W 1% 1210 T/R	H 6
R771	A11368-12721	12.7K 0.1W 1% 0805 T/R	I 5
R772	A11368-30R13	30.1 OHM .25W 1% 1210 T/R	H 5
R773	A11368-12721	12.7K 0.1W 1% 0805 T/R	I 3
R774	A11368-60420	RES, 60.4K OHM 1/16W 1% 0603	D 2
R775	A11368-60420	RES, 60.4K OHM 1/16W 1% 0603	K 2
R776		OPEN	C 2
R777		OPEN	E 3
R778		OPEN	I 2
R779		OPEN	K 3
R782	A11368-22R11	22.1 OHM 0.1W 1% 0805 T/R	C 5
R783	A11368-22R11	22.1 OHM 0.1W 1% 0805 T/R	C 3
R784	A11368-22R11	22.1 OHM 0.1W 1% 0805 T/R	I 5
R785	A11368-22R11	22.1 OHM 0.1W 1% 0805 T/R	I 3
R786	A11368-24910	RES, 2.49 KOHM 1/16W 1% 0603	C 2
R787	A11368-24910	RES, 2.49 KOHM 1/16W 1% 0603	L 2
R788		OPEN	C 8
R789		OPEN	B 8
R790		OPEN	L 8
R791		OPEN	K 8
R796	A11368-10020	RES, 10.0 KOHM 1/16W 1% 0603	L 10
R797	A11368-10020	RES, 10.0 KOHM 1/16W 1% 0603	K 9
R798	A11368-71R50	RES, 71.5 OHM 1/16W 1% 0603	D 8
R799	A11368-71R50	RES, 71.5 OHM 1/16W 1% 0603	B 8
R800	A11368-10011	1.KOHM .1W 1% CHIP 0805	L 8
R801	A11368-10011	1.KOHM .1W 1% CHIP 0805	J 8
R802	A11368-66R50	RES, 66.5 OHM 1/16W 1% 0603	M 8
R803	A11368-66R50	RES, 66.5 OHM 1/16W 1% 0603	J 8
R804	A11368-10001	100 OHM 1% 0805 RES T/R	B 6
R805	A11368-10001	100 OHM 1% 0805 RES T/R	C 5
R806	A11368-10001	100 OHM 1% 0805 RES T/R	I 6
R807	A11368-10001	100 OHM 1% 0805 RES T/R	I 5
R808	A11371-0R01	RES, 0 OHM 0805 50 MILOHM MAX	L 8
R809	A11368-49910	RES, 4.99 KOHM 1/16W 1% 0603	J 2
R810	A11368-10020	RES, 10.0 KOHM 1/16W 1% 0603	J 2
R811	A11368-49910	RES, 4.99 KOHM 1/16W 1% 0603	K 1
R812	A11368-10030	RES, 100.0 KOHM 1/16W 1% 0603	J 2
R813	A11368-24920	RES, 24.9 KOHM 1/16W 1% 0603	J 2
R814	A11368-40220	RES,40.2KOHM .0625W 1% 0603T/R	J 2
R815	A11368-29421	29.4 KOHM .1W 1% 0805 T/R	J 1
R816	A11368-20003	RES, 200 OHM 1% 0.25W 1210 T/R	J 1
R817	A11368-20003	RES, 200 OHM 1% 0.25W 1210 T/R	J 1
R818	A11371-0R01	RES, 0 OHM 0805 50 MILOHM MAX	C 9

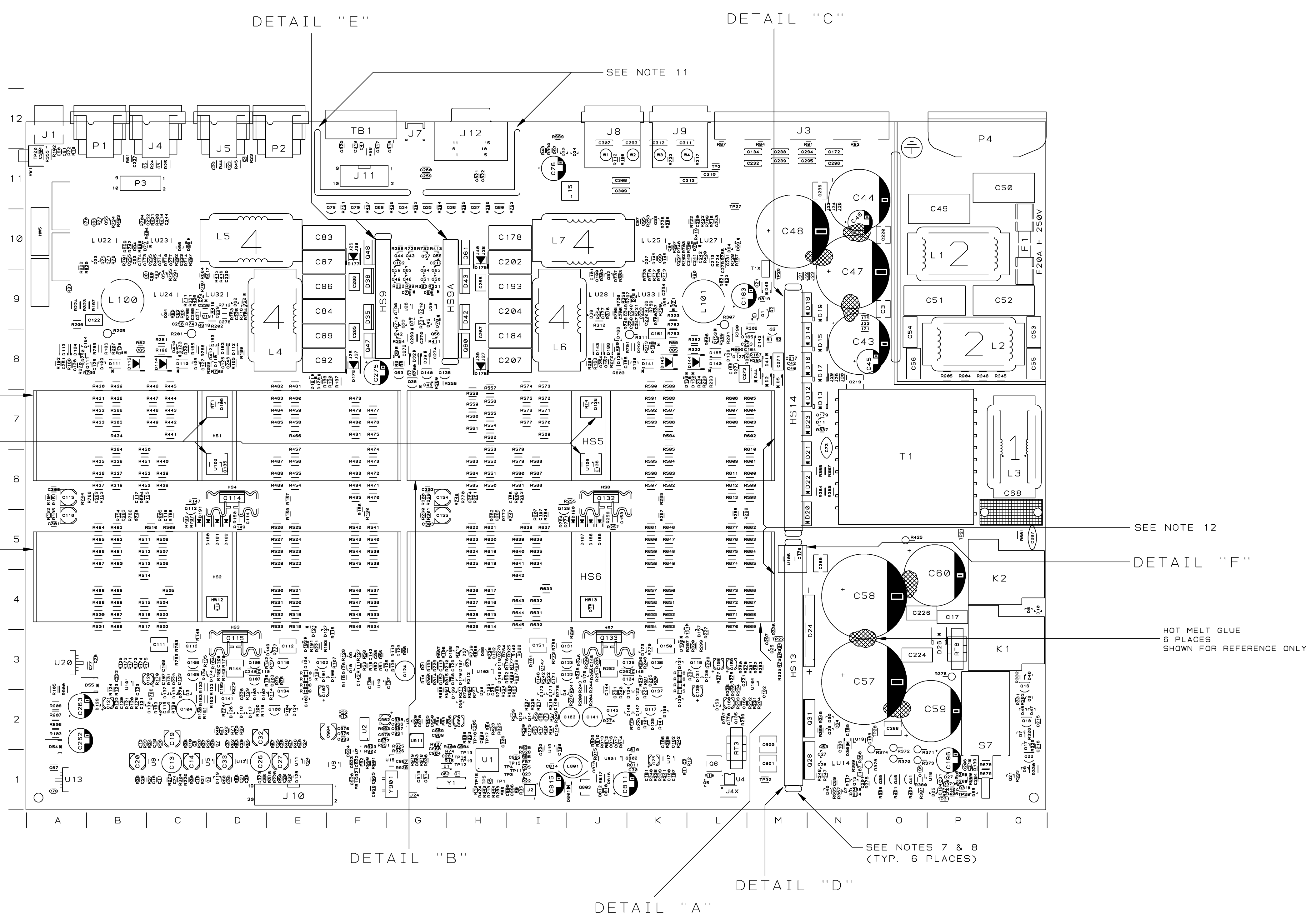
138349-14 REV. A		PWA, XTI4000	600029
R819	A11371-0R01	RES, 0 OHM 0805 50 MILOHM MAX	M 9
R820	A11368-10R00	RES, 10 OHM 1/16W 1% 0603	B 10
R821	A11368-10R00	RES, 10 OHM 1/16W 1% 0603	L 9
R822	A11368-10R00	RES, 10 OHM 1/16W 1% 0603	A 10
R823	A11368-10R00	RES, 10 OHM 1/16W 1% 0603	L 9
R824	A11368-49910	RES, 4.99 KOHM 1/16W 1% 0603	N 1
R825	A11368-10020	RES, 10.0 KOHM 1/16W 1% 0603	H 2
R900	A11371-8205	82 OHM 1W 5% SMD 2512	A 3
R901	A11368-10041	1M OHM .1W 1% CHIP 0805	F 1
R902	A11368-10000	RES, 100 OHM 1/16W 1% 0603	F 1
R903	A11368-10000	RES, 100 OHM 1/16W 1% 0603	F 2
R904	A11368-49923	49.9KOHM .25W 1% CHIP 1210	P 8
R905	A11368-49923	49.9KOHM .25W 1% CHIP 1210	P 8
R906	A11371-8205	82 OHM 1W 5% SMD 2512	A 2
R907	A11371-8205	82 OHM 1W 5% SMD 2512	A 2
R908	A11371-8205	82 OHM 1W 5% SMD 2512	A 2
R918	A11368-33R20	RES, 33.2 OHM 1/16W 1% 0603	G 1
R919	A11368-33R20	RES, 33.2 OHM 1/16W 1% 0603	G 1
R920	A11368-10010	RES, 1.0 KOHM 1/16W 1% 0603	G 2
R925	A11368-33R20	RES, 33.2 OHM 1/16W 1% 0603	G 2
R926	A11368-33R20	RES, 33.2 OHM 1/16W 1% 0603	G 1
R927	A11368-33R20	RES, 33.2 OHM 1/16W 1% 0603	G 2
R928	A11368-33R20	RES, 33.2 OHM 1/16W 1% 0603	I 1
R929	A11368-33R20	RES, 33.2 OHM 1/16W 1% 0603	I 2
R931	A11368-33R20	RES, 33.2 OHM 1/16W 1% 0603	F 2
R938	A11368-10020	RES, 10.0 KOHM 1/16W 1% 0603	G 1
R939	A11368-10020	RES, 10.0 KOHM 1/16W 1% 0603	G 1
R990	A11368-47001	470 OHM, 0.10W 1% MF 0805	F 1
R993	A11368-10020	RES, 10.0 KOHM 1/16W 1% 0603	F 2
R999	A11368-10031	100.KOHM .1W 1% CHIP 0805	I 12
RT1		OPEN	D 7
RT2		OPEN	D 4
RT3	138357-1	PRP, 101103-1 PTC .155	L 2
RT3X	C 8982-8	TO-220 XSISTOR HOLDER, PLASTIC	L 2
RT4		OPEN	J 7
RT5		OPEN	J 4
RT6	138357-1	PRP, 101103-1 PTC .155	P 3
RT6X	C 8982-8	TO-220 XSISTOR HOLDER, PLASTIC	P 3
S7	132498-1	SWITCH, DPST PUSHBUTTON VDECSA	P 1
T1	138900-1	XFMR, E55 11:9:2 125KHZ	O 6
TB1		OPEN	F 12
TP1		OPEN	H 1
TP2	127064-1	TEST POINT, SMT 1206	L 11
TP3		OPEN	I 1
TP4		OPEN	I 1
TP5		OPEN	H 1
TP11		OPEN	I 1
TP12		OPEN	H 1
TP13		OPEN	H 1
TP14		OPEN	H 1
TP15		OPEN	I 1
TP16		OPEN	H 1
TP17		OPEN	H 2
TP18		OPEN	H 2
TP19		OPEN	H 1
TP20		OPEN	A 11
TP21	127064-1	TEST POINT, SMT 1206	P 5
TP22	127064-1	TEST POINT, SMT 1206	M 3
TP26	127064-1	TEST POINT, SMT 1206	M 9

138349-14 REV. A		PWA, XTI4000	600029
TP27	127064-1	TEST POINT, SMT 1206	L 11
TP28	127064-1	TEST POINT, SMT 1206	O 2
TP29	127064-1	TEST POINT, SMT 1206	P 1
TP30	127064-1	TEST POINT, SMT 1206	M 1
TP31	127064-1	TEST POINT, SMT 1206	P 1
U1	139301-3	IC, MCU LPC2142 (PROGRAMMED)	H 1
U2	138251-1	IC, CS4272 24 BIT 192KHZ CODEC	F 2
U3	138411-1	XSISTOR, STT818B LV PWR PNP	G 2
U4		OPEN	L 1
U4X	139969-1	OPTO, SMD IEC60065 COMPLIANT	L 1
U5	C 8262-5	MC33078D LOW NOISE DUAL OP AMP	D 1
U6	126561-1	REG, +5V LOW POWER SO-8	F 1
U7	139522-1	IC, INVERTER DUAL UNBUFF NL27WZU04	F 1
U8	C 8262-5	MC33078D LOW NOISE DUAL OP AMP	C 1
U10	C 8262-5	MC33078D LOW NOISE DUAL OP AMP	F 3
U11	C 8262-5	MC33078D LOW NOISE DUAL OP AMP	E 1
U12	C 8262-5	MC33078D LOW NOISE DUAL OP AMP	D 1
U13	102484-1	REG +15V D2PAK 2.25W	A 1
U14	138341-1	IC, TL494 PWM CTRL SO-16	N 1
U15	139908-1	IC, M45PE20 256KX8 FLASH XTI(PROGRAMMED)	G 1
U16	126559-1	COMPARATOR, LM393 SO-8 DUAL	P 1
U17	133552-1	OP AMP, LM358 LOW PWR DUAL S08	K 1
U18	138908-1	DRVR, 600V HB FAN7380MX	N 2
U19	C 8262-5	MC33078D LOW NOISE DUAL OP AMP	I 2
U20	102485-1	REG -15V D2PAK 2.25W	A 3
U22	138341-1	IC, TL494 PWM CTRL SO-16	B 10
U23	C 9012-3	OP AMP, QUAD LO NOISE MC33079D	C 10
U24	138341-1	IC, TL494 PWM CTRL SO-16	C 9
U25	138341-1	IC, TL494 PWM CTRL SO-16	K 10
U26	138527-1	DRVR, 600V IR2106S HALF BRIDGE	G 9
U27	C 9012-3	OP AMP, QUAD LO NOISE MC33079D	L 10
U28	138341-1	IC, TL494 PWM CTRL SO-16	J 9
U29	138527-1	DRVR, 600V IR2106S HALF BRIDGE	G 9
U32	C 9012-3	OP AMP, QUAD LO NOISE MC33079D	D 9
U33	C 9012-3	OP AMP, QUAD LO NOISE MC33079D	K 9
U101	133552-1	OP AMP, LM358 LOW PWR DUAL S08	B 3
U102	138475-1	IC, LM75 DIGITAL THERM SENSOR	D 6
U103	C 9038-8	COMPARATOR, QUAD LM339D SO-14	H 3
U104	133552-1	OP AMP, LM358 LOW PWR DUAL S08	M 3
U105	138475-1	IC, LM75 DIGITAL THERM SENSOR	J 6
U106	138475-1	IC, LM75 DIGITAL THERM SENSOR	M 5
U801	138341-1	IC, TL494 PWM CTRL SO-16	J 1
U911	137548-1	IC, 28-BIT PROCESSOR AD1940	G 2
W1		OPEN	J 11
W2		OPEN	K 11
W3		OPEN	K 11
W4		OPEN	L 11
Y1	132014-1	XTAL, 16MHZ 20PF LOAD SMT	H 1
Y901	137778-1	OSC, 12.288MHZ	G 1

Section 2.6
XTi4000 Schematic 138349-14

REVISION HISTORY					
E. C. N.	ZONE	REV	DESCRIPTION	DATE	APPROVED
		A	SEE 138349-14_A.XLS FOR DATA AND REVISION HISTORY.	12-05-07	KLW DSV TJS

COMPONENT MAP
TOP SIDE



SEE NOTE 12

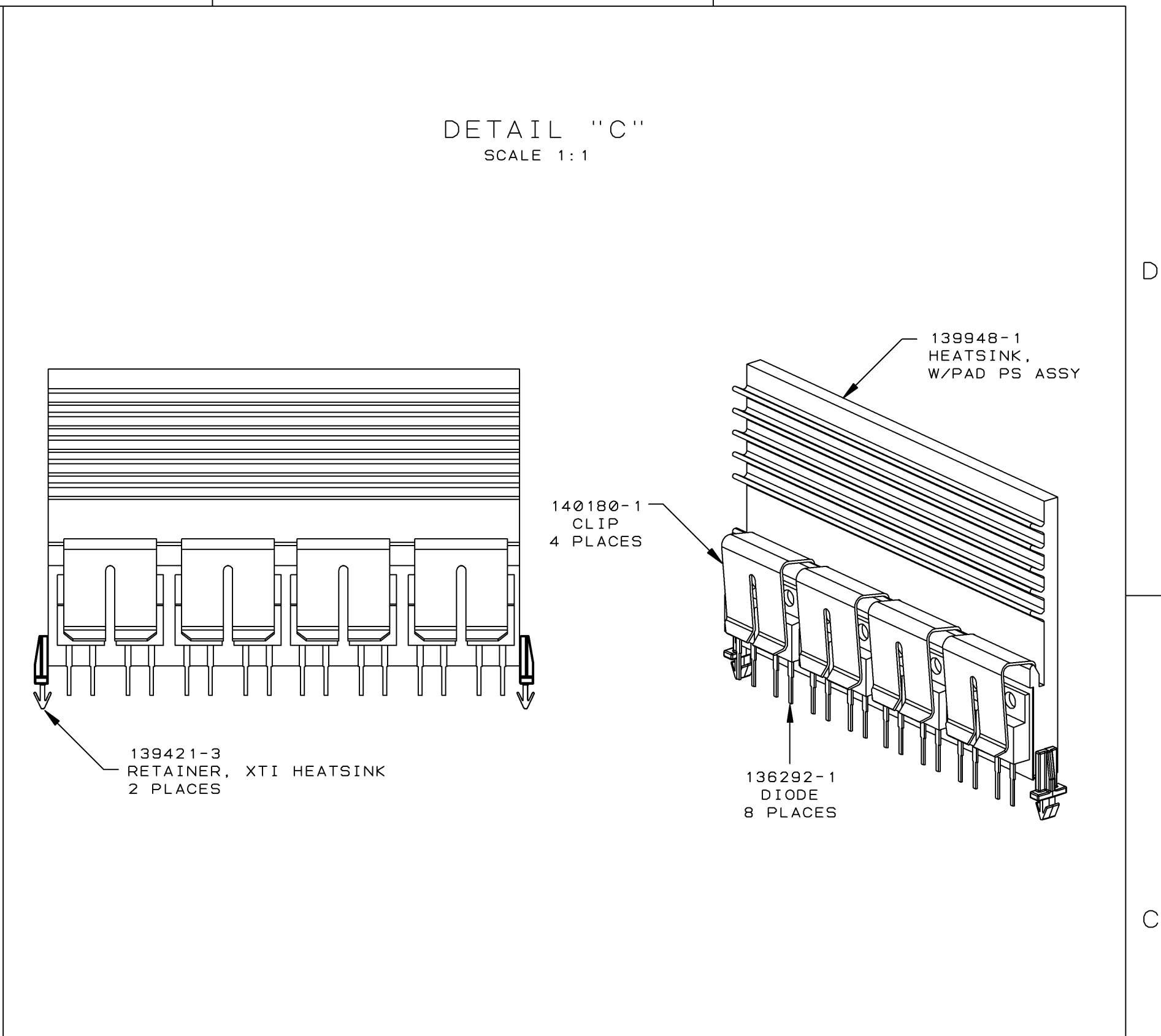
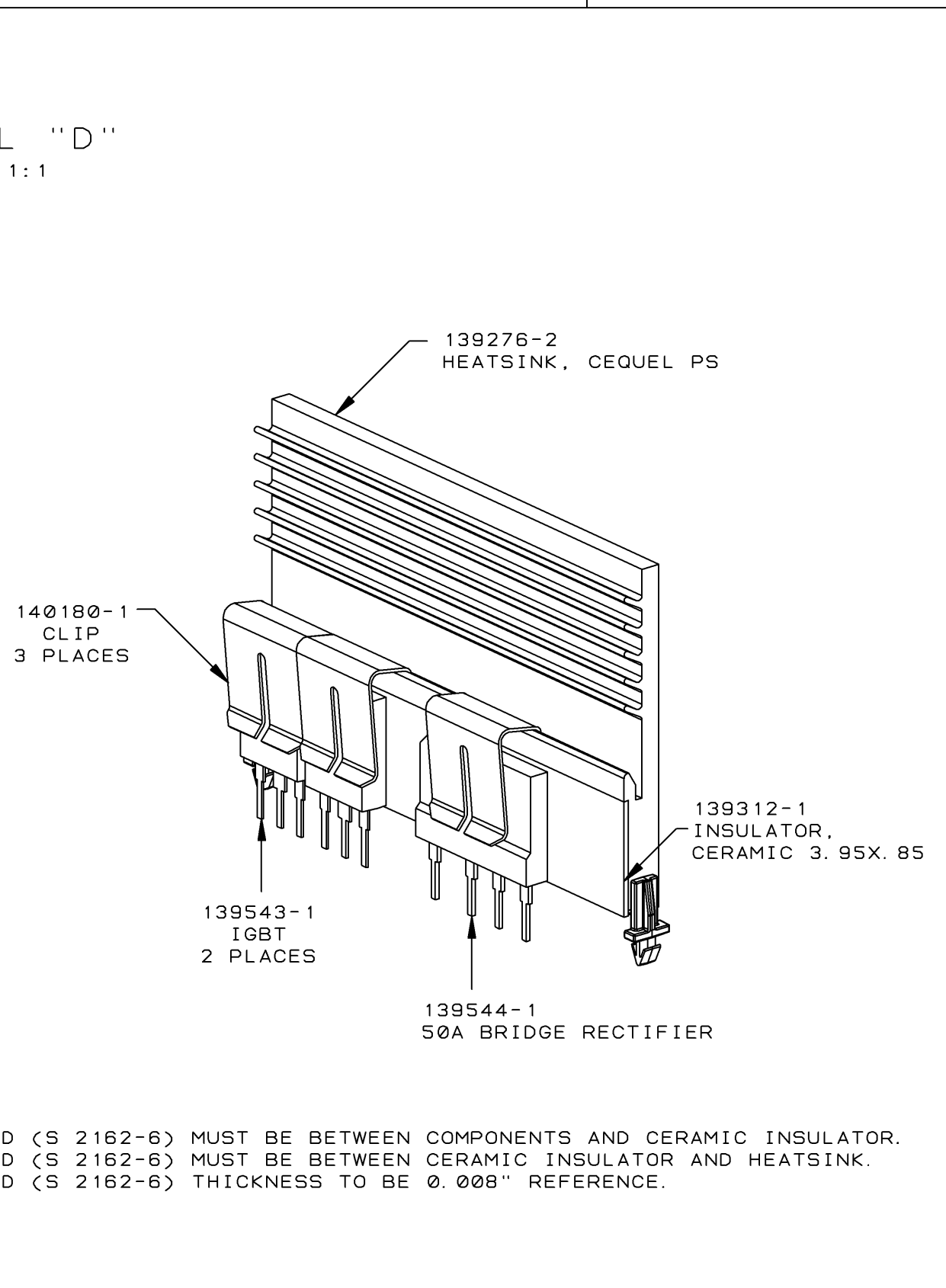
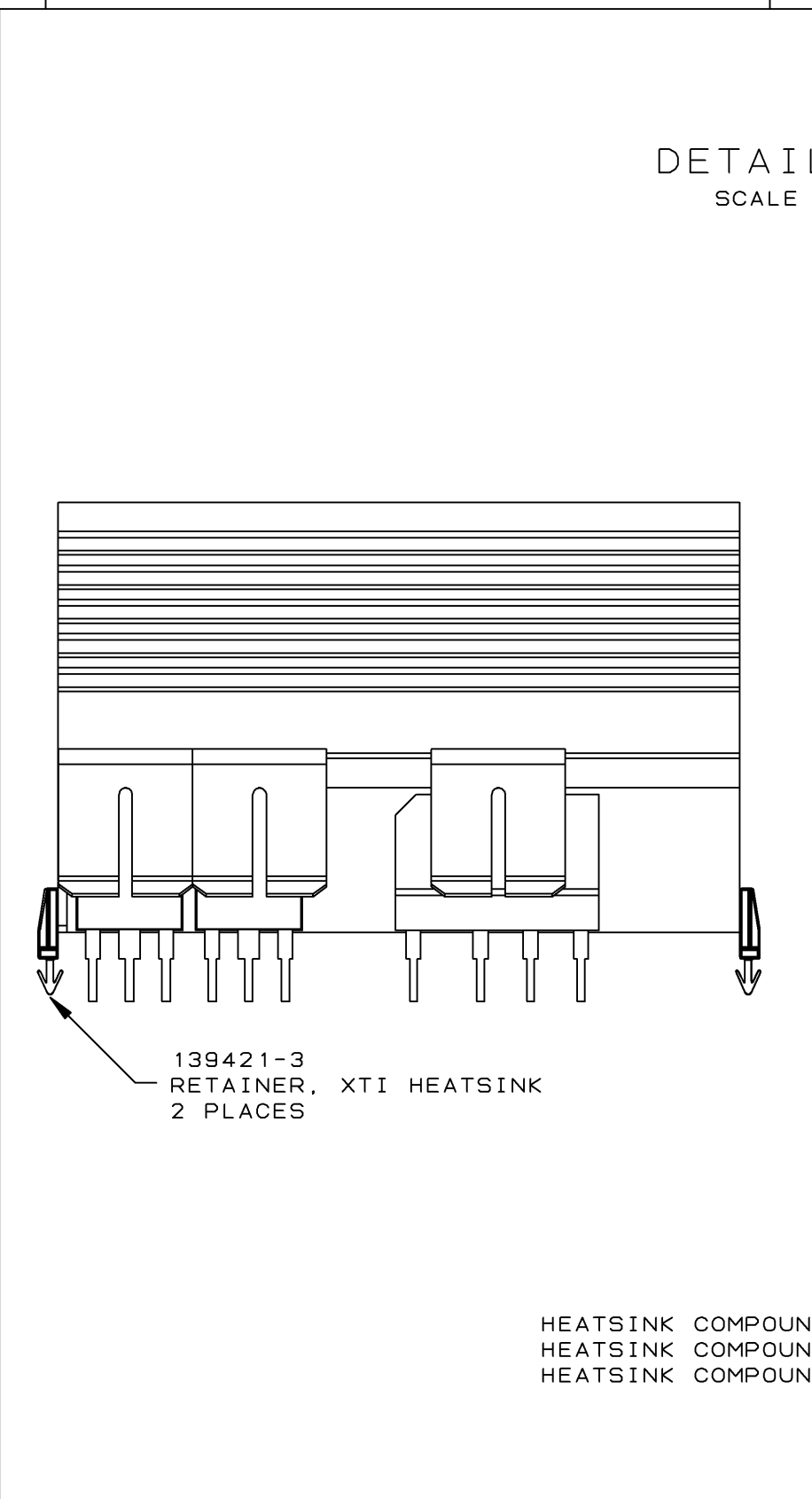
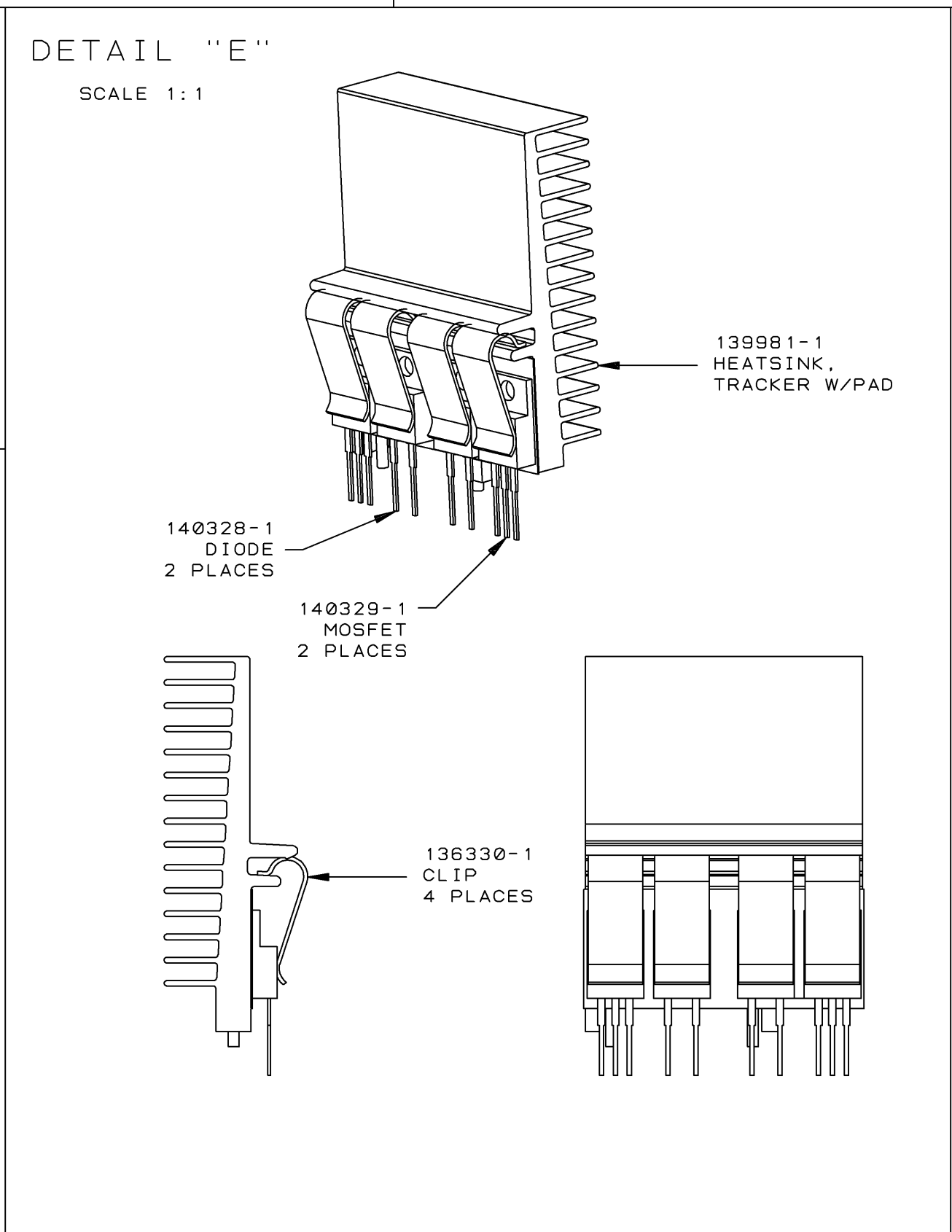
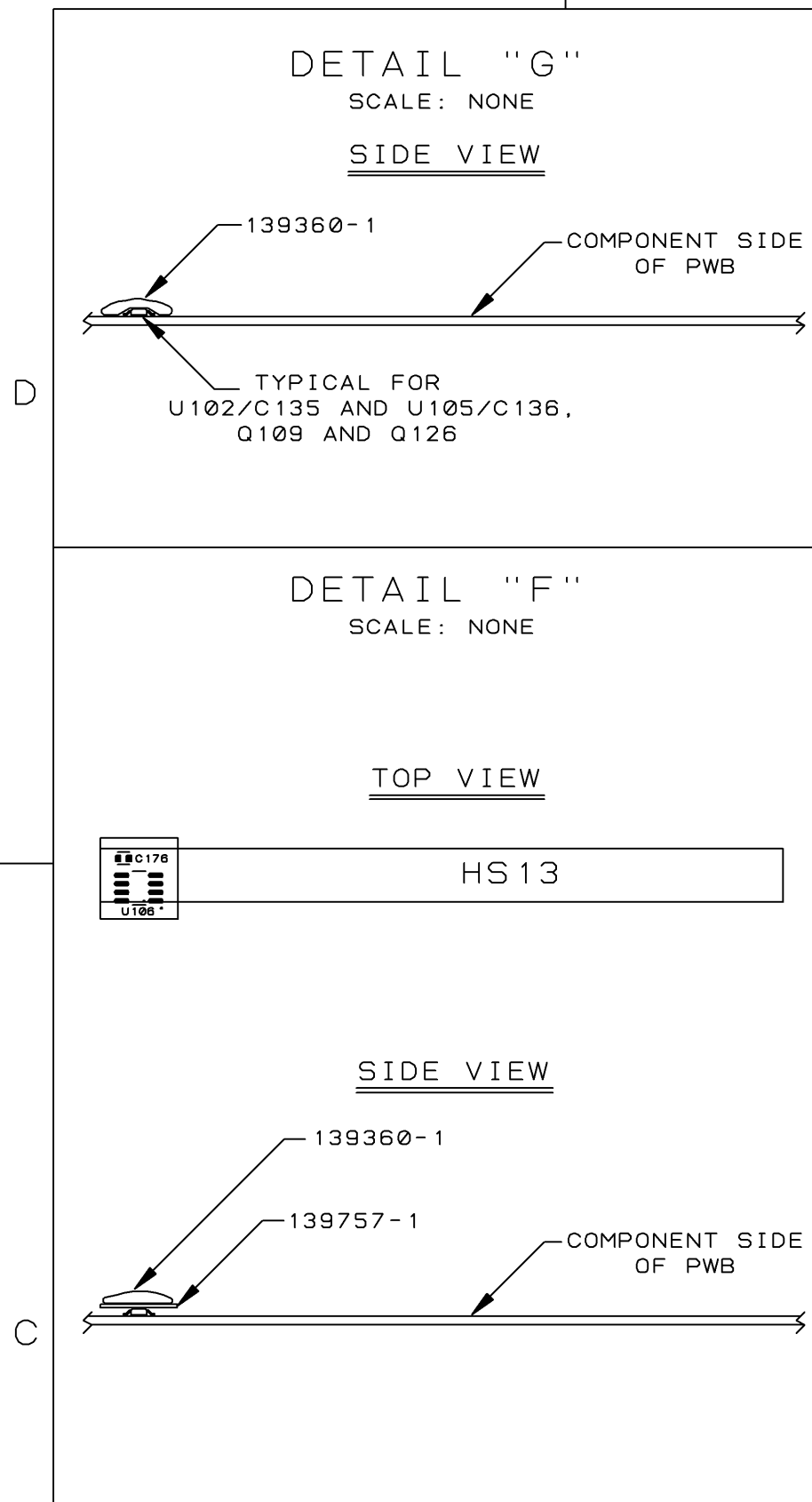
DETAIL "F"

HOT MELT GLUE
6 PLACES
SHOWN FOR REFERENCE ONLY

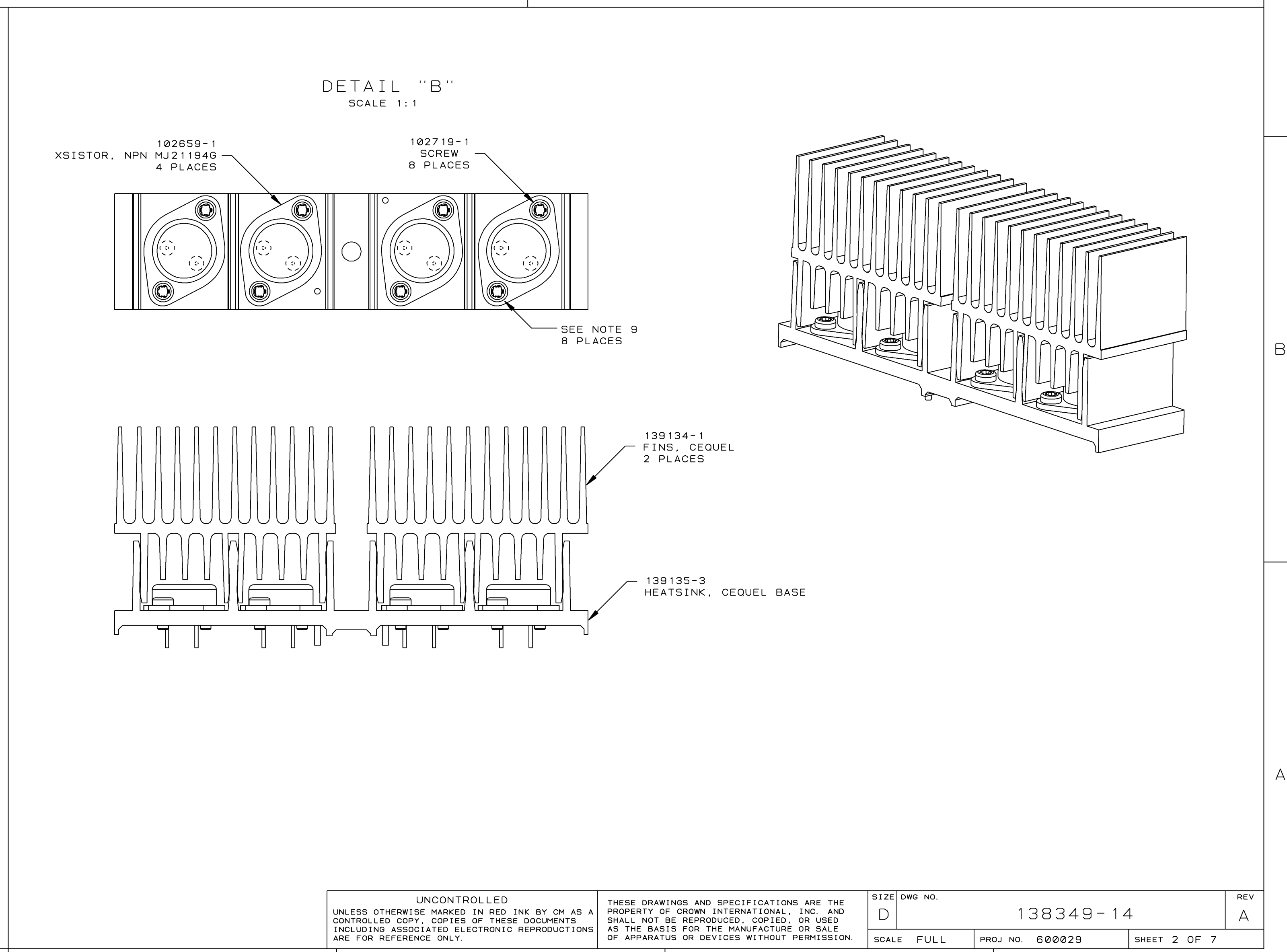
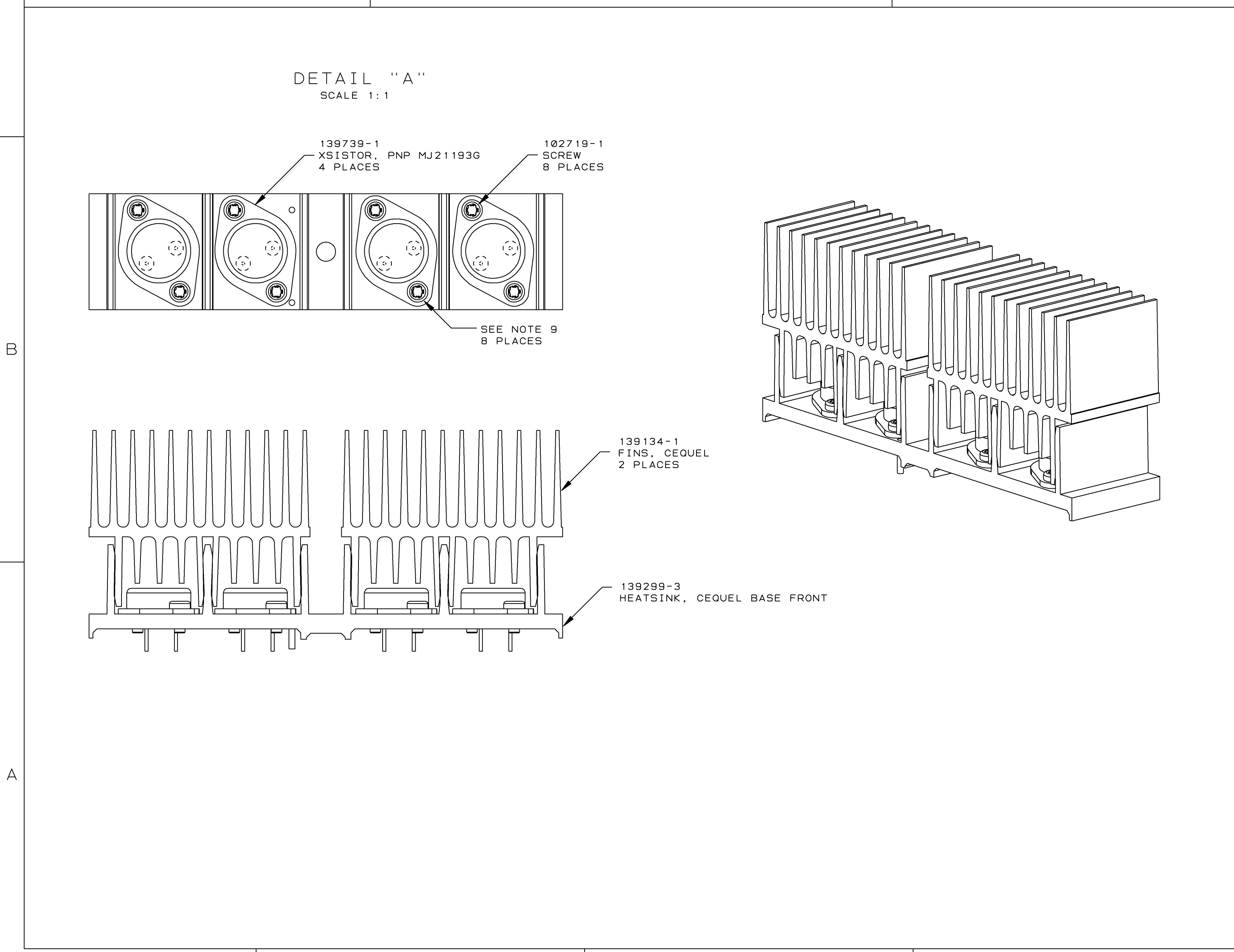
SEE NOTES 7 & 8
(TYP. 6 PLACES)

UNCONTROLLED
UNLESS OTHERWISE MARKED IN RED INK BY CM AS A
CONTROLLED COPY, COPIES OF THESE DOCUMENTS
INCLUDING ASSOCIATED ELECTRONIC REPRODUCTIONS
ARE FOR REFERENCE ONLY.
THESE DRAWINGS AND SPECIFICATIONS ARE THE
PROPERTY OF CROWN INTERNATIONAL, INC. AND
SHALL NOT BE REPRODUCED, COPIED, OR USED
AS THE BASIS FOR THE MANUFACTURE OR SALE
OF APPARATUS OR DEVICES WITHOUT PERMISSION.

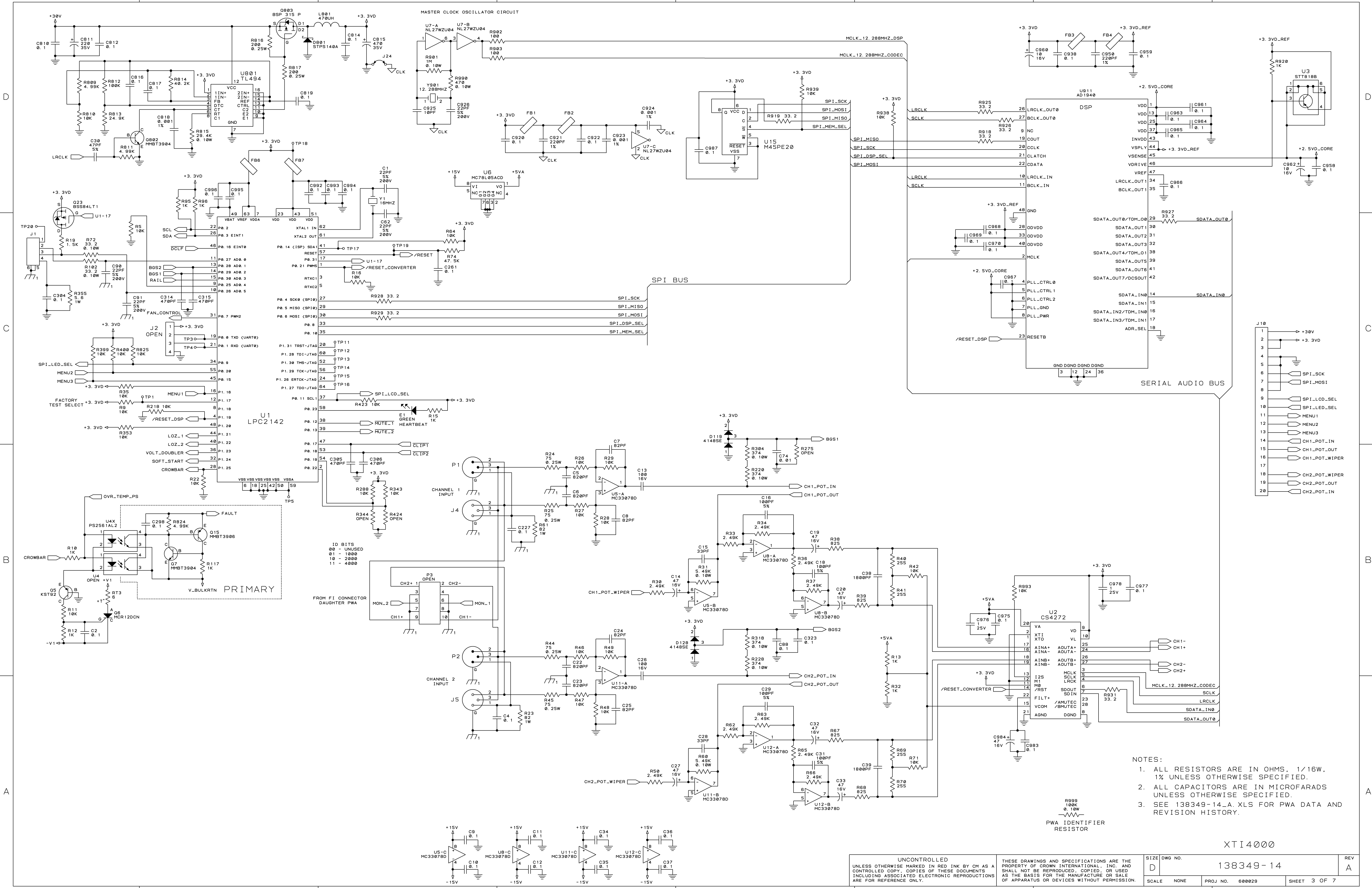
DWN	KLW	12-05-07	CROWN H A Harman International Company 1718 WEST MISHAWAKA RD. PHONE 574-284-8000 ELKHART IN. 46517 WWW.CROWNAUDIO.COM		
CM	DSV	12-10-07			
DISTRIBUTION			TJS	12-05-07	TITLE
K			PWA, XTI4000		
FILENAME					
TOLERANCE UNLESS OTHERWISE SPECIFIED			00 = ±.02 000 = ±.010 DRILLS = ±.003		
DO NOT SCALE DRAWING			SIZE	DWG NO.	REV
			D	138349-14	A
			SCALE	FULL	PROJ. NO. 600029
			SHEET 1 OF 7		



HEATSINK COMPOUND (S 2162-6) MUST BE BETWEEN COMPONENTS AND CERAMIC INSULATOR.
HEATSINK COMPOUND (S 2162-6) MUST BE BETWEEN CERAMIC INSULATOR AND HEATSINK.
HEATSINK COMPOUND (S 2162-6) THICKNESS TO BE 0.008" REFERENCE.



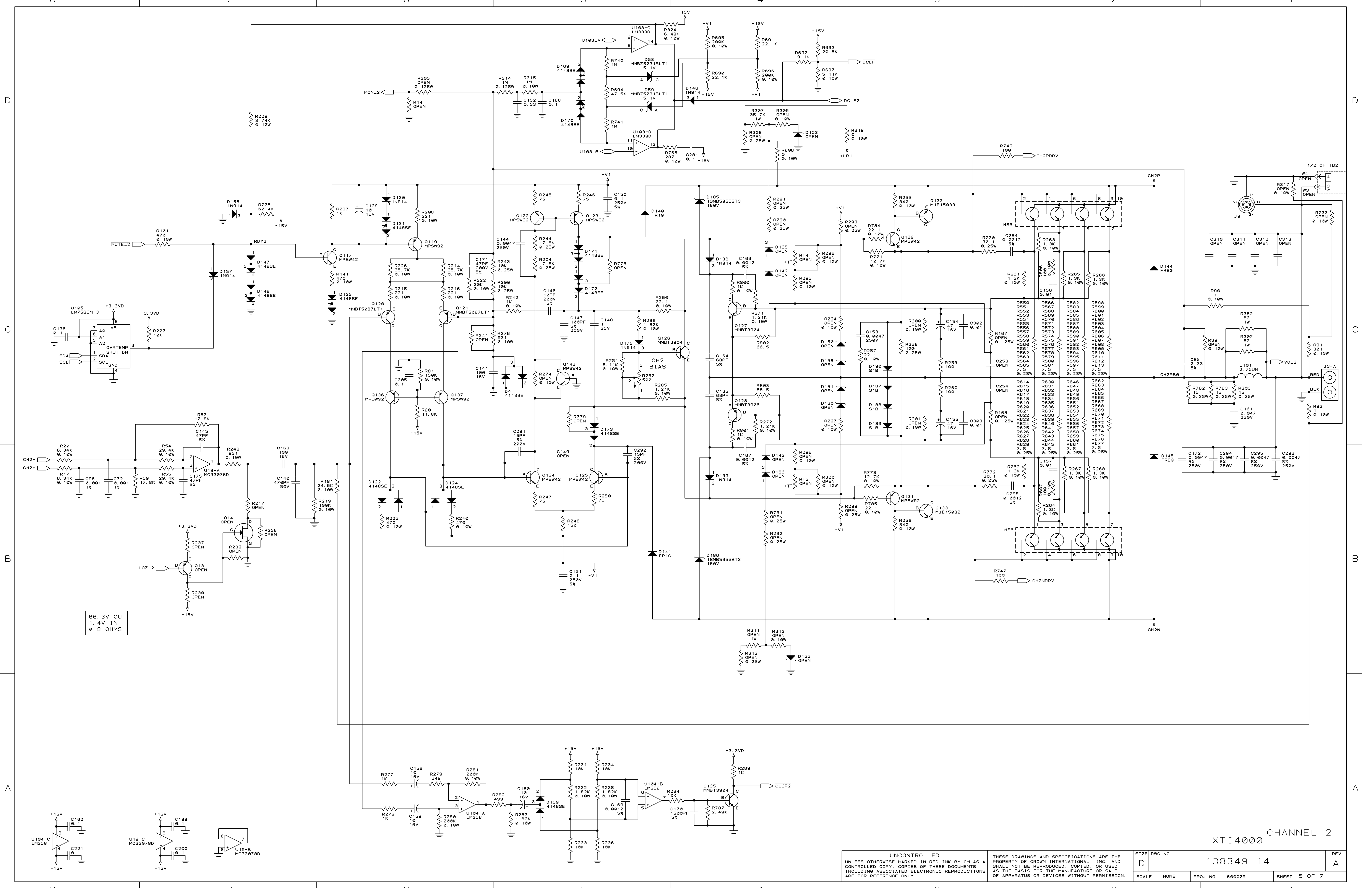
UNCONTROLLED UNLESS OTHERWISE MARKED IN RED INK BY CM AS A CONTROLLED COPY, COPIES OF THESE DOCUMENTS INCLUDING ASSOCIATED ELECTRONIC REPRODUCTIONS ARE FOR REFERENCE ONLY.		THESE DRAWINGS AND SPECIFICATIONS ARE THE PROPERTY OF CROWN INTERNATIONAL, INC. AND SHALL NOT BE REPRODUCED, COPIED, OR USED AS THE BASIS FOR THE MANUFACTURE OR SALE OF APPARATUS OR DEVICES WITHOUT PERMISSION.		SIZE D	DWG NO. 138349-14	REV A
SCALE	FULL	PROJ NO.	600029	SHEET 2 OF 7		



- NOTES:
1. ALL RESISTORS ARE IN OHMS, 1/16W, 1% UNLESS OTHERWISE SPECIFIED.
 2. ALL CAPACITORS ARE IN MICROFARADS UNLESS OTHERWISE SPECIFIED.
 3. SEE 138349-14_A.XLS FOR PWA DATA AND REVISION HISTORY.

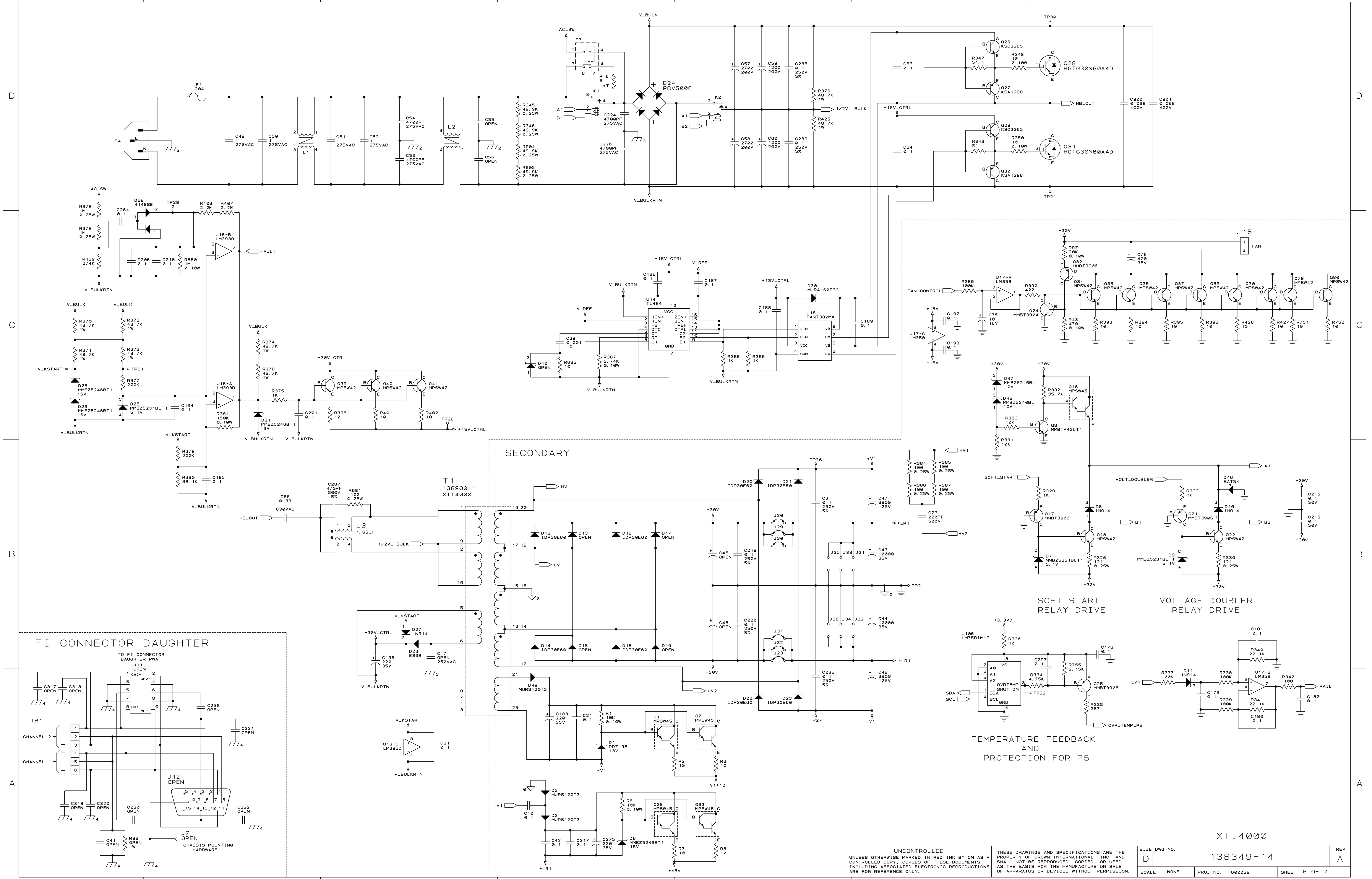
XTI4000

UNCONTROLLED UNLESS OTHERWISE MARKED IN RED INK BY CM AS A PROPERTY OF CROWN INTERNATIONAL, INC. AND SHALL NOT BE REPRODUCED, COPIED, OR USED AS THE BASIS FOR THE MANUFACTURE OR SALE OF APPARATUS OR DEVICES WITHOUT PERMISSION.		SIZE DWG NO. D 138349-14	REV A
SCALE NONE	PROJ NO. 600029	SHEET 3 OF 7	

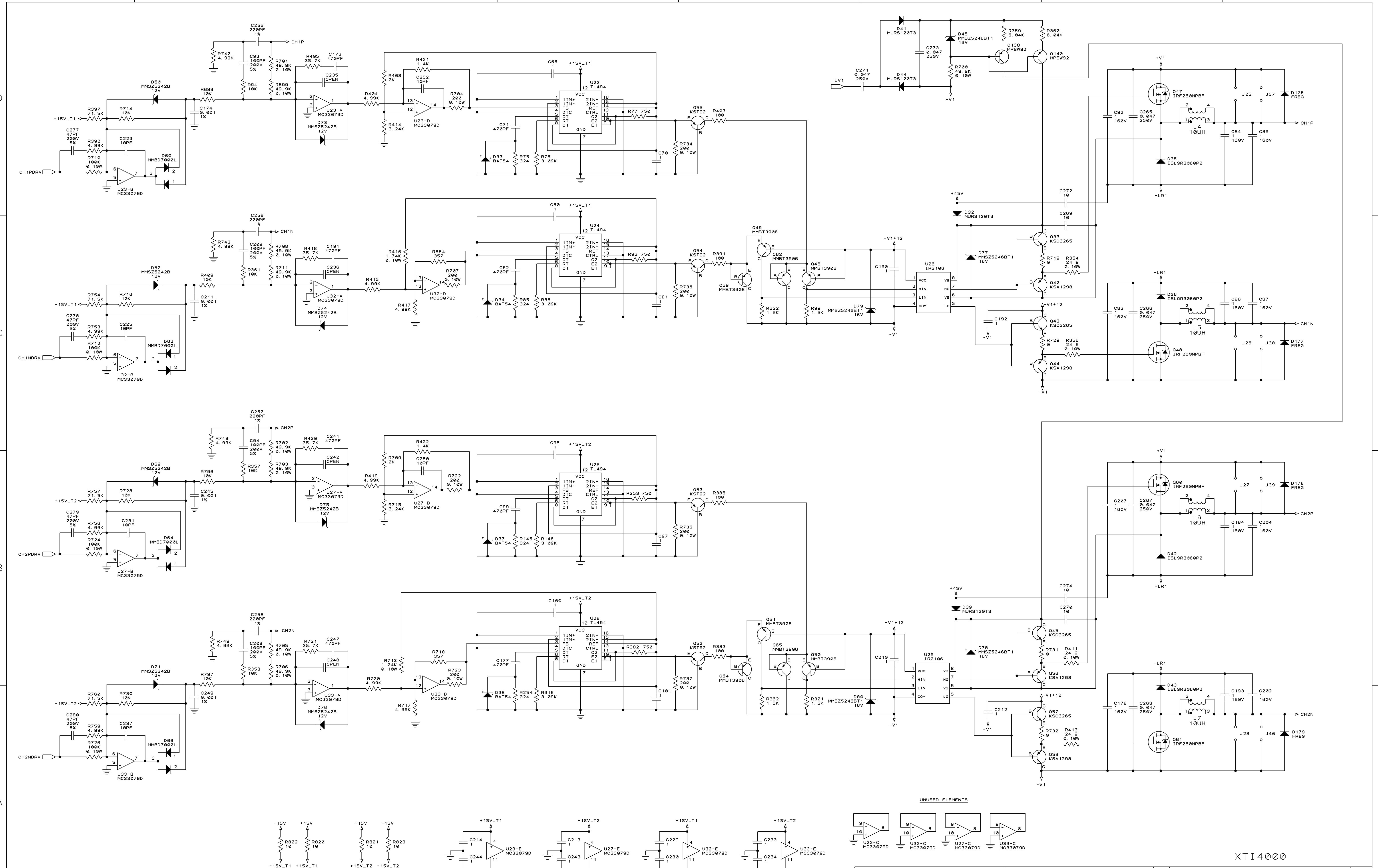


CHANNEL 2
XTI4000

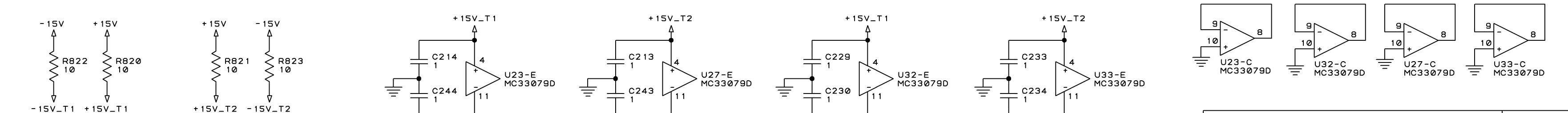
UNCONTROLLED		THESE DRAWINGS AND SPECIFICATIONS ARE THE PROPERTY OF CROWN INTERNATIONAL, INC. AND SHALL NOT BE REPRODUCED, COPIED, OR USED AS THE BASIS FOR THE MANUFACTURE OR SALE OF APPARATUS OR DEVICES WITHOUT PERMISSION.		SIZE	DWG NO.	REV
				D	138349-14	A
SCALE	NONE	PROJ. NO.	600029	SHEET 5 OF 7		



UNCONTROLLED UNLESS OTHERWISE MARKED IN RED INK BY CM AS A CONTROLLED COPY. COPIES OF THESE DOCUMENTS INCLUDING ASSOCIATED ELECTRONIC REPRODUCTIONS ARE FOR REFERENCE ONLY.		THESE DRAWINGS AND SPECIFICATIONS ARE THE PROPERTY OF CROWN INTERNATIONAL, INC. AND SHALL NOT BE REPRODUCED, COPIED, OR USED AS THE BASIS FOR THE MANUFACTURE OR SALE OF APPARATUS OR DEVICES WITHOUT PERMISSION.		SIZE D	DWG NO. 138349-14	REV A
SCALE NONE	PROJ NO. 600029	SHEET 6 OF 7				



UNUSED ELEMENTS



XTI4000

UNCONTROLLED UNLESS OTHERWISE MARKED IN RED INK BY CM AS A CONTROLLED COPY, COPIES OF THESE DOCUMENTS INCLUDING ASSOCIATED ELECTRONIC REPRODUCTIONS ARE FOR REFERENCE ONLY.		THESE DRAWINGS AND SPECIFICATIONS ARE THE PROPERTY OF CROWN INTERNATIONAL, INC. AND SHALL NOT BE REPRODUCED, COPIED, OR USED AS THE BASIS FOR THE MANUFACTURE OR SALE OF APPARATUS OR DEVICES WITHOUT PERMISSION.		SIZE D	DWG NO. 138349-14	REV A
SCALE NONE	PROJ NO. 600029	SHEET 7 OF 7				

Section 3.0

Firmware Notes



Crown XTi V1.1.5.6 Software Release Notes

Date: November 14, 2007

Product: Crown XTi Amplifier
Previous Software Version: v1.1.4.1

Crown XTi Additions:

1. None

Crown XTi Changes:

1. Changed the sequence of events at power up. After initialization the DSP output is muted for a longer period of time to guarantee the amplifier has enough time to bias up before getting signal.
2. Changed the temperature thresholds for the “alternate” fan mode. Turn on was changed from 43C to 33C and turn off was changed from 33C to 23C.

Crown XTi Bugs Fixed:

1. bug#14190: Does not report that it is locating upon discovery. Fixed.
2. bug#14881: Input Clip indicator doesn't work. Fixed. Note: Input clip is ONLY shown on the System Architect control panel. The front panel clip LED is output clip only!
3. bug#14884: Blank LCD preset name after firmware update or sync when settings are sent to the device. Fixed. Applies to SA 1.5 and firmware 1.1.4.1.
4. bug#15034: Changed turn on sequence so the fan mode can not be changed if self test mode was entered. This helps prevent unwanted changes to the fan mode at turn on.



Crown XTi Known Issues:

1. Amplifiers built before September 2006 must use the CLoader utility and .hex file to update firmware. See detailed instructions at:

http://www.crownaudio.com/amp_htm/cdi-dsi-xti-firmware-update.htm

2. Older versions of firmware (prior to 1.1.2.9) sent the full serial number to the Windows HID driver. If this driver receives any zeros in the serial number, it will not allow more than one USB amplifier online at a time and will in fact crash very hard when this occurs. This problem was resolved in version 1.1.2.9.

3. If a firmware download is interrupted at anytime it is possible the amplifier could be rendered unusable. However, most times it can be easily recovered. Simply power cycle the amplifier and attempt the firmware download again using either System Architect or the CLoader 2.19 utility if necessary. Note that the front panel LCD may display garbage or be blank until the full update has been successful.

4. When using USB hubs, make sure they are powered. Random problems have been observed when using hubs that are powered from the host or do not have their own power source.

5. The latest XTi firmware is always contained in the System Architect download. So when you install the latest release of System Architect, the newest firmware will be automatically included.

6. Some xti-4000 amplifiers were built in the spring of 2007, which may not show up in the Venue View in System Architect. It can be detected if you open the Network Wizard window, the device will appear, but the description field will contain an invalid character. You will not be able to use System Architect until the firmware has been reloaded. You must use the CLoader Utility (contained in the SA download, separate application). NOTE: The new firmware (1.1.3.x or newer) must be downloaded TWICE!!! After that, the amplifier should work just fine with System Architect with no problems.

7. In firmware versions later than 1.1.2.9, the LCD preset name may go blank or display "DSP OFF" regardless of the current preset. This occurs only the user selects to "Send Settings To Device" and Include Presets is checked from the sync window prompt. This bug only affects the displayed preset name, all DSP settings should be correct. To work around this problem simply recall the preset from either the front panel or software and the name and all stored settings will be updated.

8. In firmware versions 1.1.3.11 and 1.1.4.1 the input clip indicator in System Architect did not work. This bug has been fixed in later versions of firmware.



About the CLoader Utility:

When you download System Architect from the web, or get it from a CD, the CLoader Utility will be included. The CLoader is a very small and simple program that is used to load new firmware into a USB enabled amplifier. It is intended only to be used in instances where the firmware can not be updated using System Architect. Please read the included pdf file for more detailed instructions about how to use CLoader.

About the amplifier “Diagnostic Mode”

How to enter diagnostic mode?

After the amplifier has booted up, hold down all three front panel buttons for three seconds or until the LCD display changes. This puts the amplifier in a self diagnostic mode. It is only to be used for troubleshooting and setup. Once in this mode, you may use the UP and DOWN buttons to navigate thru several screens. The front panel LED's are NOT updated in diagnostic mode!

What's in there?

- Channel 1 Temperature in degrees Celsius: read only
- Channel 2 Temperature in degrees Celsius: read only
- Power Supply Temperature in degrees Celsius: read only
- Firmware Version Number: read only
- HiQnet Address: read/write. Modify by first pressing the “Sel/Enter” button. The “EDIT” icon should light up. Use the up and down buttons to select a new address and press the enter button to save and exit.
- Fan Mode: read only
 - “FAN HI” default mode. Turn on at 53C. Should not turn on at idle.
 - “FAN LO” sensitive mode. Turn on at 43C (changed to 33C in 1.1.5.5).
 - “FAN ON” Fan locked on full time.

To exit this mode, press the Select button or power cycle the amplifier.

How to use the different fan modes?

Under normal use, the default “FAN HI” mode should work just fine. If however, you want the fan to come on sooner at a lower temperature you can use the more sensitive “FAN LO” mode.

If you really like to hear that fan you can lock the fan to full speed at all times. Be aware, that by locking the fan on full speed can have negative affects. Because this amplifier does not have a filter, more dust and dirt will be pulled thru the amplifier than normally would if the fan was allowed to turn off! This results in the amplifier getting dirty faster and when devices and heatsinks are covered in dirt it is more difficult for them to dissipate heat. Use this mode with caution!

How do I select the different fan modes?

Hold down the “Sel/Enter” button while the amplifier is powering up. This will toggle the amp between “FAN ON” full time fan and “FAN LO/HI” whichever is selected LO or HI.

Hold down the “Next/Down” button while the amplifier is powering up. This will toggle the amp between “FAN HI” and “FAN LO” modes.

For XTi Firmware updates and the latest release of System Architect go to: <http://www.harmanpro.com/hiqnet/>

Section 4.0

Tech Notes



Tech Note

Crown Technical Support

PO Box 1000 Elkhart IN 46515
Ph 800-342-6939/574-294-8200
Fax 574-294-8301

Page 1 of 1

Issue Date: 22-Jun-06
Ref. No: Tech Note: #181
Subject: Audible tone on output.

Applicability: XTi, CDi, Dsi series amp. Date Code range: Prior August 2006 (0086)

Conditions: After power up an audible tone may be heard in the speakers.

Part Description: R809: C.P.N.: A11368-49910 4.99K 1% 0603 SMT Resistor
R810: C.P.N.: A11368-10020 10K 1% 0603 SMT Resistor
R814: C.P.N.: A11368-40220 40.2K 1% 0603 SMT Resistor

Procedure: 1) Place amplifier on bench and remove the top cover using a Torx 15 bit.
2) Locate and replace resistors R809, R810, and R814 with the values listed above. See Figure 1 below showing the location of the resistors.

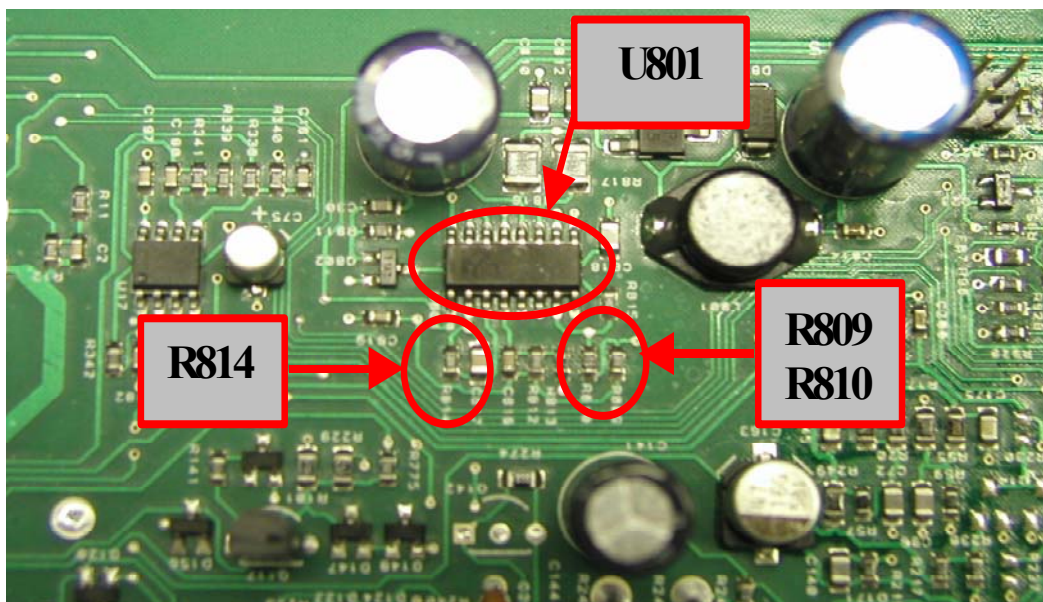


Figure 1

Summary: Performing the procedure outlined in this Tech Note assures the conditions listed will not be present. Updates covered in this Tech Note have been incorporated into the Main PWA production modules for this series of Crown amplifiers.



Tech Note

Crown Technical Support

PO Box 1000 Elkhart IN 46515
Ph 800-342-6939/574-294-8200
Fax 574-294-8301

Page 1 of 1

Issue Date: 13-Sep-06: Revised Date.

Ref. No: Tech Note #183

Subject: DSP Clock Drop out.

Applicability: XTi, CDi, and DSi series amplifiers. Build Date: August 2006 (0086) and prior.

Conditions: Capacitor C925 goes out of tolerance causing the Crystal Y901 to make the DSP and or Codec chip to become unstable, i.e. Loud Static or Pink type noises, "Short" appear on the display, random level changes in output, audio output to drop out on one or both channels, severely distorted audio on one or both channels.

Part Description: C925: C.P.N.: A11369-100J1 10pF Capacitor 50V 0603 SMT

Procedure: 1) Place amplifier on bench and remove the top cover using a Torx 15 bit.

2) Locate and replace capacitor C925 with the value listed above. See Figure 1 below showing the location of the capacitor.

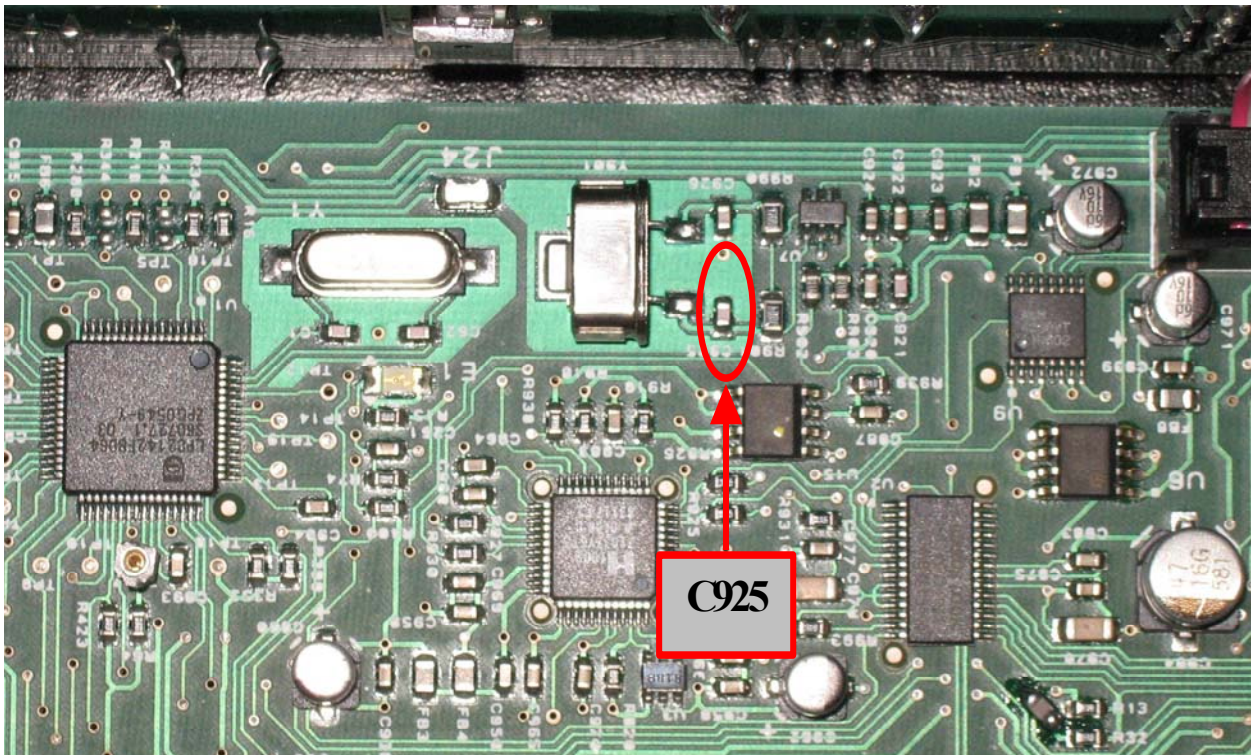


Figure 1

Summary: Performing the procedure outlined in this Tech Note assures the conditions listed will not be present. Updates covered in this Tech Note have been incorporated into the Main PWA production modules for this series of Crown amplifiers



Tech Note

Crown Technical Support

PO Box 1000 Elkhart IN 46515
Ph 800-342-6939/574-294-8200
Fax 574-294-8301

Page 1 of 3

Issue Date: March 26, 2007
Ref. No: Tech Note #184 Rev. A
Subject: Discharge resistor modification procedure for all XTi, DSi, and CDi models.
Applicability: All XTi, CDi, and DSi amplifier manufactured prior to October 2nd, 2006.
Part Description: Equipment and Parts needed:

- 1 – No.1 Philips Screw driver
- 1 – T-8 Torx head Screw driver
- 1 – T-15 Torx head Screw driver
- 1 – T-20 Torx head Screw driver
- 1 – 220 KOhm, 2W, 5%, metal film resistor. (Crown Part Number (CPN)– 140034-1)
- Kapton Tape ¼": Whole roll; (Crown Part Number (CPN)- S 6285-1)



Qualified Service Personnel should only perform this procedure. Make sure the unit has been unplugged from the wall receptacle before removing top cover.

Procedure: **Step 1:** Remove PWA from the chassis. **Caution:** Remove switch knob to eliminate damaging switch plunger while handling assembly.

Step 2: Add a piece of Kapton tape (0.04mm thick x 7mm (W) x 20mm(L) minimum) over ground trace to provide insulation between the resistor body and trace. Use, (CPN A10266-2244); 220 KOhm, 2W, 5%, metal film type, resistor. See Figure 1 and 2 below.

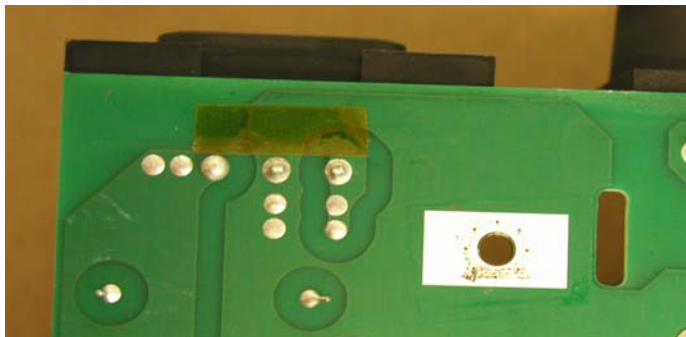


Figure 1

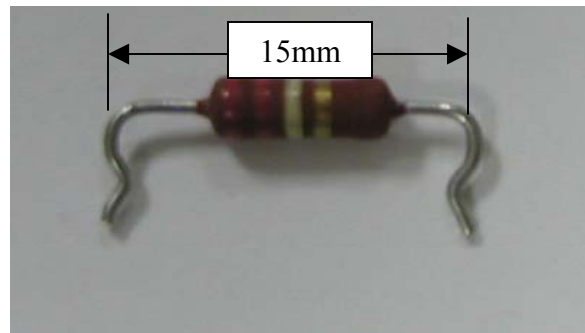


Figure 2



Tech Note

Crown Technical Support

PO Box 1000 Elkhart IN 46515
Ph 800-342-6939/574-294-8200
Fax 574-294-8301

Page 2 of 3

Issue Date: March 26, 2007
Ref. No: Tech Note #184 Rev. A
Subject: Discharge resistor modification procedure for all XTi, DSi, and CDi models.

The resistor should be bent so the legs are about 15 mm across and centered on the body. The resistor should be placed 3 mm away from the solder point of the ground pin. The legs should be trimmed so that they can be wrapped around the lead as shown and soldered in place. See Figure 3 and 4 below.

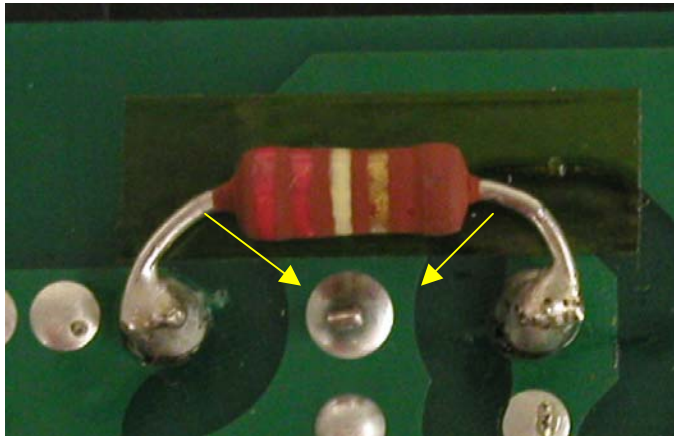


Figure 3

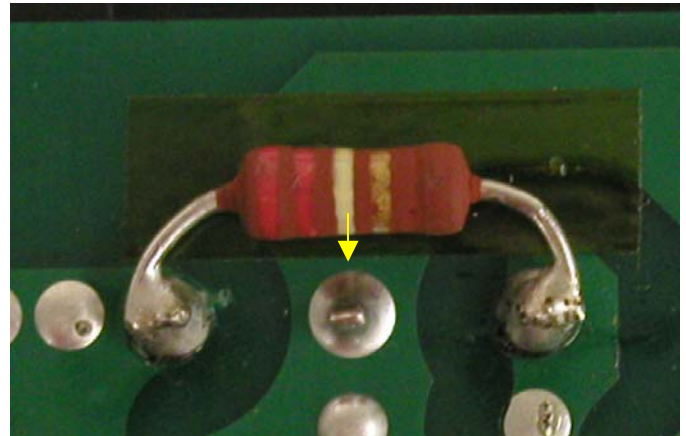
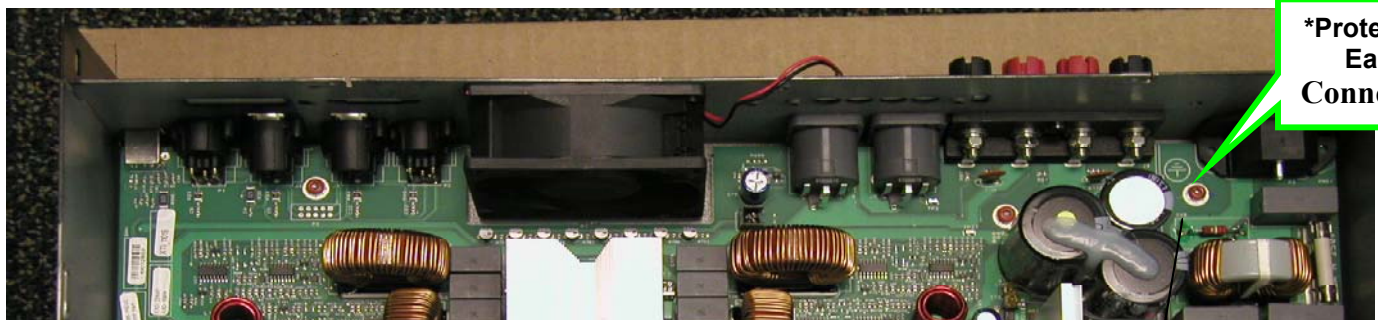


Figure 4

Step 3: Wrap the resistor leads around each pin as shown and solder the leads to the inlet solder connections. The body of the resistor must be flat against the PWB before putting the assembly back in the chassis to maintain required spacing. Make sure the earth connection screw is placed back in this location. See above Figures.



***Protective*
Earth
Connection**



Tech Note

Crown Technical Support

PO Box 1000 Elkhart IN 46515
Ph 800-342-6939/574-294-8200
Fax 574-294-8301

Page 3 of 3

Issue Date: March 26, 2007
Ref. No: Tech Note #184 Rev. A
Subject: Discharge resistor modification procedure for all XT_i, DS_i, and CD_i models.



BEFORE APPLYING POWER TO THIS UNIT, IT MUST PASS A HIPOT TEST FOR SAFETY PURPOSES.

Hipot Test voltage and connections:

Application of Test Voltage	<u>Hipot Test Voltage</u>	Test Time (Dwell Time)	High Limit (mA)
Basic Insulation (primary (H and N) to ground)	1500 VAC or 2120VDC	60 seconds	9(mA)

Set-up the Unit Under Test (UUT) as described below:

- Attach the High Voltage wire (HV) to both prongs coming from the power cord from the Unit Under Test.
- Attach the RETURN wire to the ground prong on the power cord from the Unit Under Test.
- Turn the unit under test power button to the on position.

Note: When testing with AC Hypot: If the ramp time is not long enough to charge the Y2 capacitors before the actual Hypot test starts, the unit will fail the test because it sees the charging of the caps as leakage and give a false result. If this happens, either lengthen the ramp time or use the VDC value to verify the amp was assembled safely.



Tech Note

Crown Technical Support

PO Box 1000 Elkhart IN 46515
Ph 800-342-6939/574-294-8200
Fax 574-294-8301

Page 1 of 1

Issue Date: 19-Jul-07
Ref. No: Tech Note #186
Subject: XTi4000 does not appear in System Architect

Information Only Apply to Service Units Only Update Stock & Service Units

Applicability: XTi4000Domestic, XTi4000E30, XTi4000E40, and XTi4000E60 Models
Serial number Range: 8001395312 - 8001409091

Conditions: Amplifier does not appear in the System Architect Venue View.
In System Architect, open the Network Wizard, the amplifier will appear but the device name may be some invalid character, example; "ÿ".

Solution: New firmware 1.1.3.11.s must be loaded in using CLoader 2.19.
The firmware MUST be downloaded twice. The change was made in the reprogramming code, so the first download will not reprogram the Device Name.

You can download the CLoader 2.19 program along with the 1.1.3.11.s file from the Service Center web site. When logged in you will find the link to download the Cloader 2.19 zip file within the section on the left hand side where you enter your warranty claim form. Figure 1 below shows area. (**Note: Recommend System Architect is not open when running Cloader.**)

Crown Service Web Site

CLoader can be found here to download.

[Contact Information](#)
[Warranty Claim Form](#)
[Service Support Documents](#)
[Circuit Theory](#)
[Powerpoints with audio](#)
[Cautions and Warnings](#)
[Required Test Equipment](#)
[Troubleshooting](#)
[Amplifier Service Info Group 1](#)
[Amplifier Service Info Group 2](#)
[\[HOME\]](#)

Welcome! Select your product line.

NEW! Warranty Claim Form now available from this site.
Link on the left side of the page.

Amplifier Service Information Group 1 includes:
Service information for CH, CL, PT, Pulse, XLS Series, Xs Series, CTs Series, I-Tech Series.
Partial information for Commercial Audio Series and CDi-DSi-XTi models.

Amplifier Service Information Group 2 includes:
Service Manuals for CE, CT, D, K, MA, MT, PB Series, IQ System 2000 Interface
SST-SBSC Installation Manual
IQ-USM810 manual
Parts Price Book
Tech Notes PLEASE SEE NEW TECH NOTE 179

Reference Manuals and Operation Manuals for all models.

[Crown Amplifier Warranty](#). (40K pdf file)

[Factory Service Information Form](#). (36K pdf file)

Technical Support
Crown's Technical Support Group staff is available to assist you. You can contact staff members directly via email, or by telephone.

Figure 1

Summary: This only affects XTi4000's in this serial number range. No other XTi, CDi, or DSi models are affected.



Tech Note

Crown Technical Support

PO Box 1000 Elkhart IN 46515
Ph 800-342-6939/574-294-8200
Fax 574-294-8301

Page 1 of 1

Issue Date: 3-Aug-07
Ref. No: Tech Note# 187
Subject: Electrolytic Capacitors C47 and C48

Information Only Apply to Service Units Only Update Stock & Service Units

Applicability: XTi, CDi, and DSi Amplifiers built in September 2006

Conditions: Electrolytic Fluid leaking from caps causing board damage.

Part Description: 133323-1; Cap, 3800UF 125V Alum Elect.

Procedure: Some of the electrolytic capacitors used in XTi, CDi, and DSi amplifiers built during the month of September 2006 have been found to have a defect that allows them to leak fluid onto the board. The fluid could eventually cause the high voltage traces on the printed circuit board to short and the amplifier to fail.

Inspect the area around C47 and C48 as shown in figure 1 below. If fluid is observed in this area the main board must be replaced.

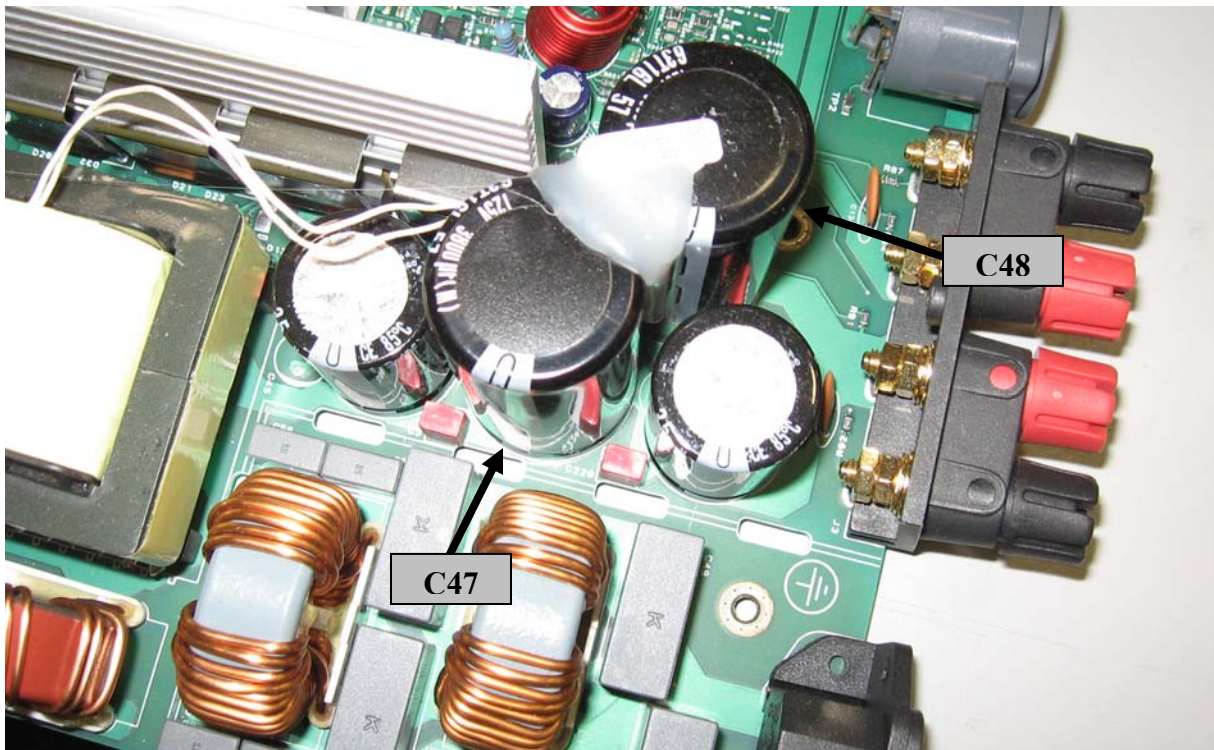


Figure 1

Summary: This failure mode has contributed to a very small number of amps. This note is only issued for informational purposes only.



Tech Note

Crown Technical Support

PO Box 1000 Elkhart IN 46515
Ph 800-342-6939/574-294-8200
Fax 574-294-8301

Page 1 of 1

Issue Date: 16-Aug-07
Ref. No: Tech Note# 190
Subject: XTi/CDi/DSi Display boards

Information Only Apply to Service Units Only Update Stock & Service Units

Applicability: XTi Amplifiers: below serial number 8001377031
CDi / DSi Amplifiers: below serial number 8001377296

Conditions: Erratic volume, no audio or intermittent audio on the output. The Signal LED may stay lit even without audio output.

Part Description: 138911-4; XTi Display board "**New**"
138912-4; CDi/DSi Display board "**New**"

Procedure: When an XTi, CDi, or DSi amplifier is returned with a complaint of changing volume level or intermittent output audio, replace the display board with a 13891X-4 or greater revision.

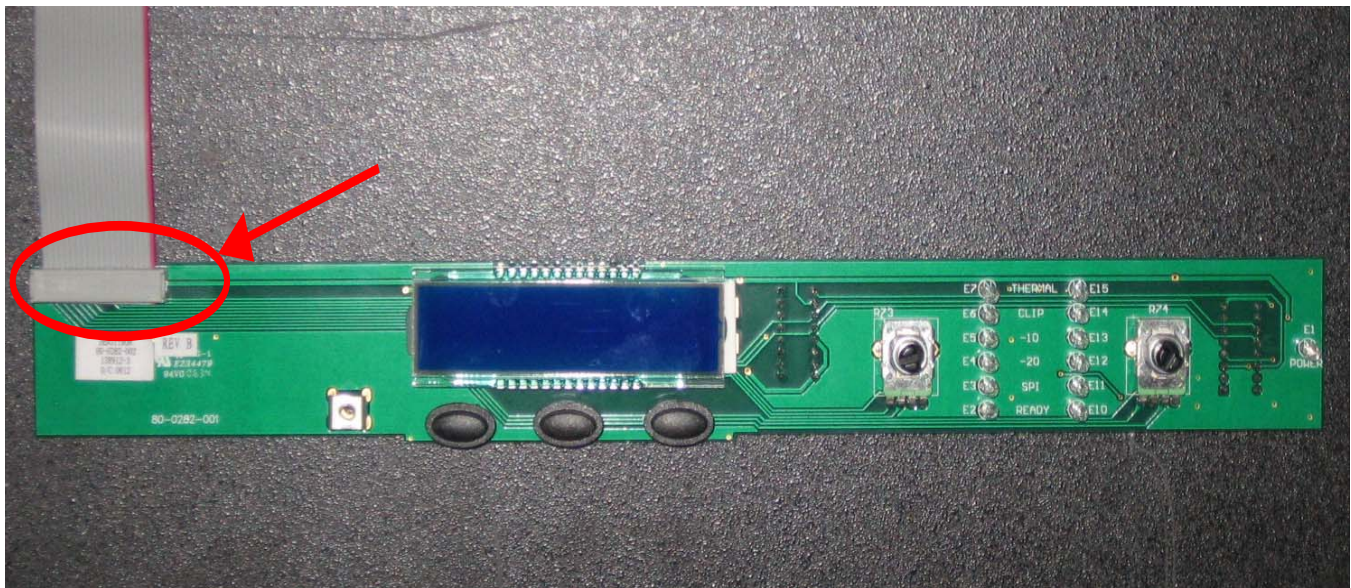


Figure 1

Root Cause: Damage to the solder-in end of the ribbon cable during manufacture. The new connector, (see Figure 1 above, picture shown is of the CDi/DSi display board), is more robust and not easily damaged. In some instances topside solder on R73/R74 potentiometers can cause the erratic volume. In either case the display board with 13891X-4 or greater revision will resolve the issue.