

6

5

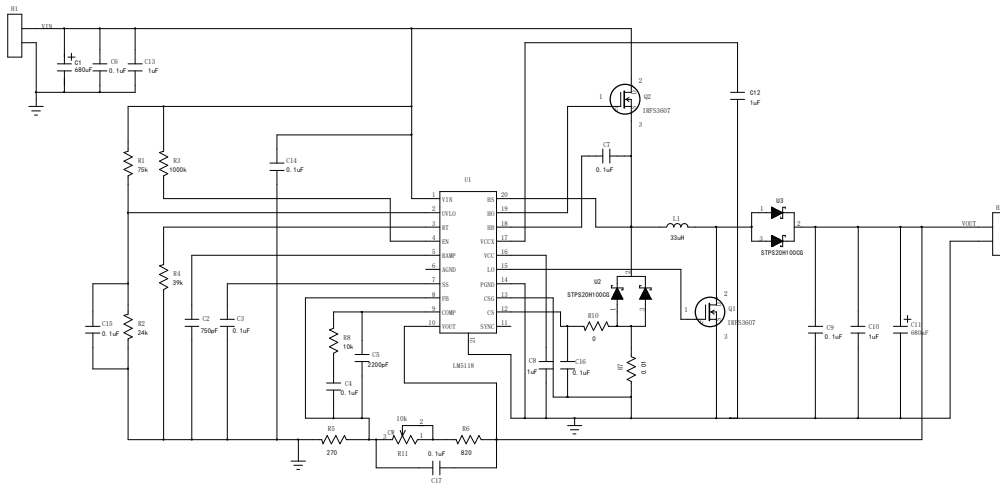
4

3

2

1

REVISION RECORD			
LTN	ECO NO.	APPROVED	DATE



COMPANY: 苏州美力拓电子科技有限公司			
TITLE: 电源管理系统			
DRAWN:	DATED:	CODE:	SIZE: A2
CHECKED:	DATED:	DRAWING NO.:	REV: 1.0
QUALITY CONTROL:	DATED:	SCALE:	SHEET: 1 OF 1
RELEASED:	DATED:		