

6 5 4 3 2 1

D

C

B

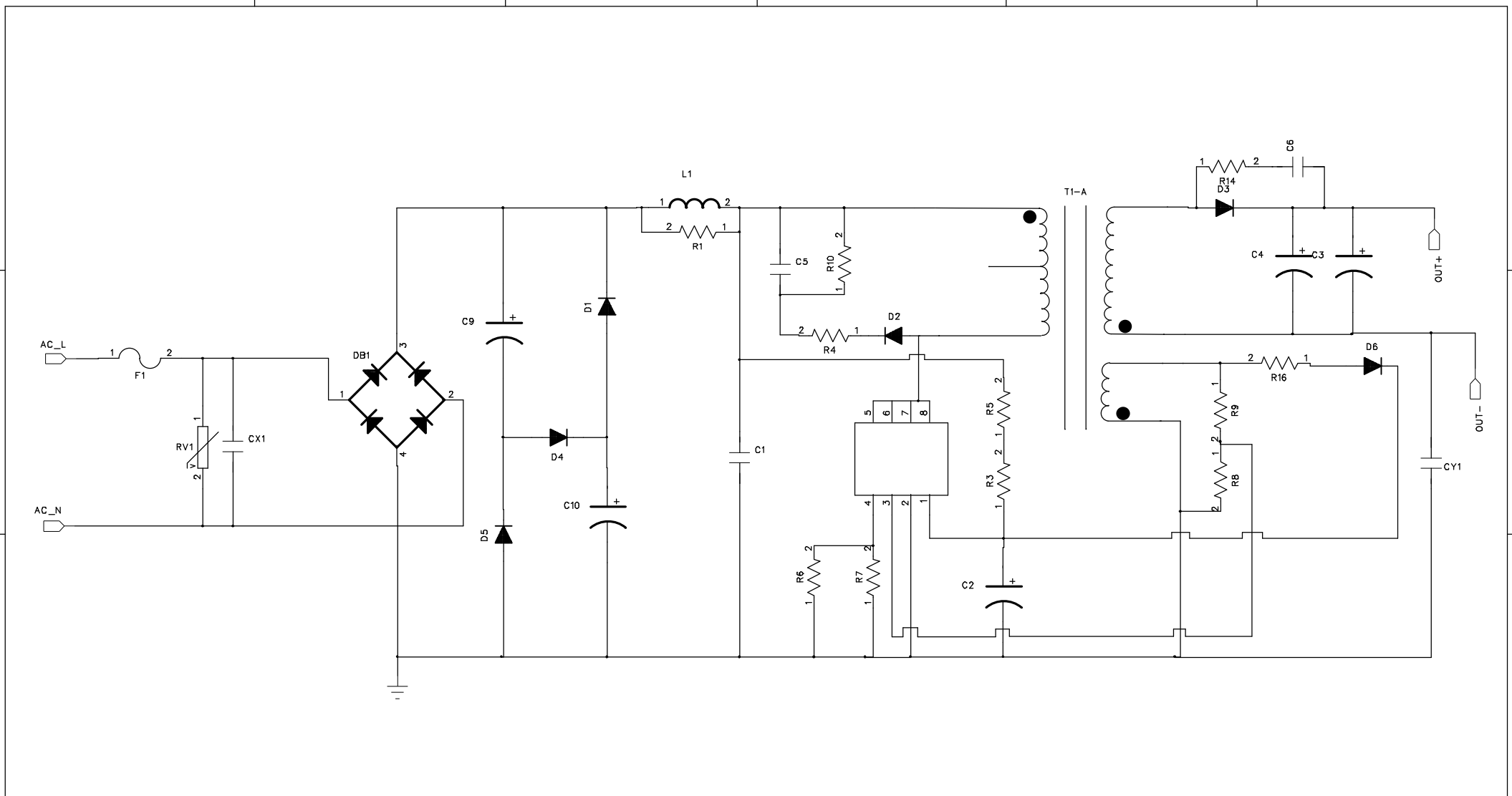
A

D

C

B

A



COMPANY: Company Name

TITLE:

DRAWN: Drawn By	DATED: Drawn Date
CHECKED: Checked By	DATED: Checked Date
QUALITY CONTROL: QC By	DATED: QC Date
RELEASED: Released By	DATED: Release Date

CODE: Code	SIZE: A3	DRAWING NO:	REV: A0
SCALE: Scale		SHEET: OF	