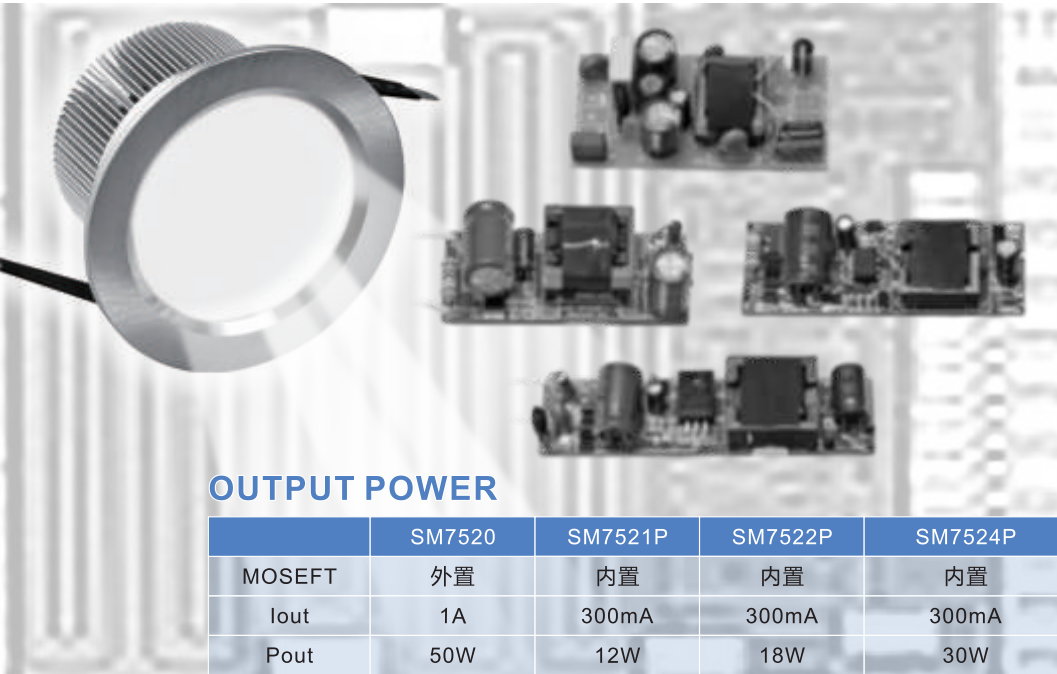


LED照明驱动系列
LED lighting driver series

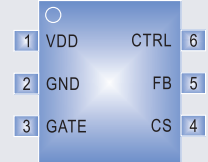
SM752X系列 高效LED恒流驱动芯片(隔离)
High efficiency LED constant current driver(isolated)



OUTPUT POWER

	SM7520	SM7521P	SM7522P	SM7524P
MOSEFT	外置	内置	内置	内置
I _{out}	1A	300mA	300mA	300mA
P _{out}	50W	12W	18W	30W

(SM7520)SOT23-6



(SM7521P/SM7522P/SM7524P)SOP8



概述 DESCRIPTION

SM752X(SM7520、SM7521P、SM7522P、SM7524P)是一款高精度高效率的原边反馈LED恒流驱动控制芯片。适用于90Vac~264Vac全范围输入电压，恒流精度可达±5%，无需任何补偿元件，无需光耦、431，外围器件少，方案成本低。内置自恢复的LED输出开短路保护电路，提高系统可靠性、安全性。

可通过EFT、雷击、浪涌等可靠性测试，可通过3C、UL、CE等认证标准。

The SM752X series (SM7520、SM7521P、SM7522P、SM7524P) are high precision high PF PSR LED constant current drivers. The SM752X series are applied to input voltage of 90Vac~264Vac, and the constant current precision reaches to ±5%. The SM752X is capable to realize constant current output without any compensating components. The components like optocoupler and 431 are economized, therefore there are few peripheral components and the cost of the scheme is low. The self-recovery LED output open/short circuit protection circuit is built in the SM752X series to improve the reliability and security of the system.

The SM752X series can easily pass EFT, surge and other reliability test; also, it can pass the 3C, UL, CE certification.

特点 FEATURES

- 支持PSR反激拓扑
- 恒流控制专利技术
- 恒流精度：< ±5%
- 无需外部环路补偿
- 内置自恢复的输出开短路保护功能
- 高频保护功能
- CS开路保护功能
- 封装形式：SOT23-6(SM7520), SOP8(SM7521P/SM7522P/SM7524P)

- Supporting PSR flyback topology
- Patented constant current technology
- Precision of CC:<±5%
- No need for external loop-compensation
- Offering output open/short circuit self-recovery protection
- High frequency protection
- CS open circuit protection
- Package:SOT23-6(SM7520), SOP8(SM7521P/SM7522P/SM7524P)

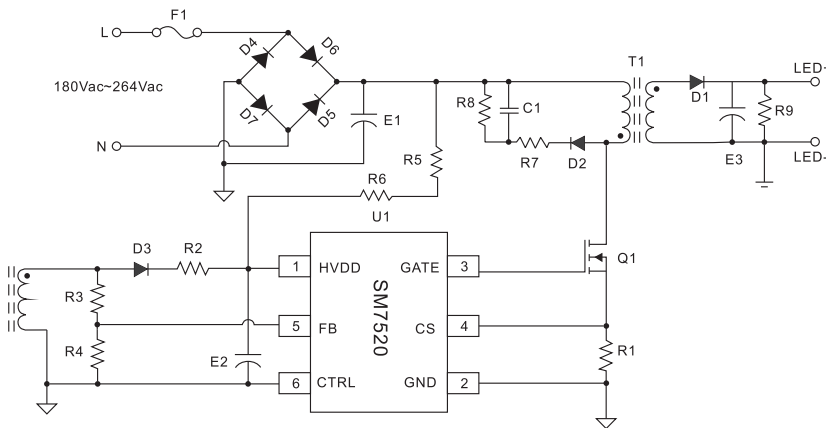
应用领域 APPLICATION

- 筒灯或吸顶灯
- 平板灯
- Tube lamp or ceiling lamp;
- Panel lamp;



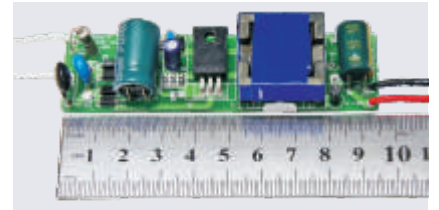
应用方案 APPLICATION

100V/300mA typical Flyback application

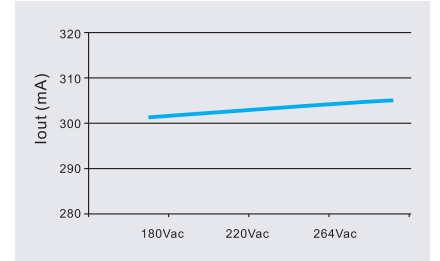


Vin	Load	Iout	Topology	Eff
180~264Vac	100V	300mA	Flyback	>89%

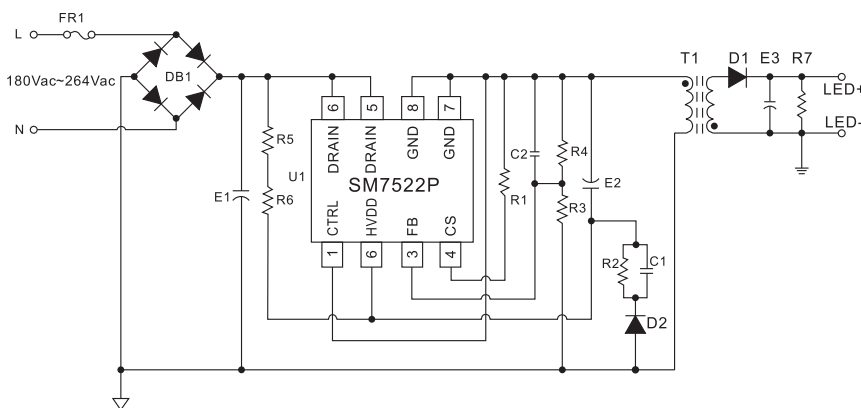
Effect Diagram:



CC Performance Curve:

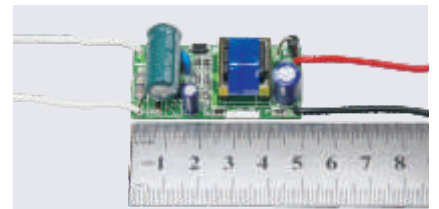


60V/300mA typical PSR application



Vin	Load	Iout	Topology	Eff
180~264Vac	60V	300mA	PSR	>86%

Effect Diagram:



CC Performance Curve:

