

## High Efficiency 2A 1.5MHz Single Cell Li-ion Battery Switching Charger

### DESCRIPTION

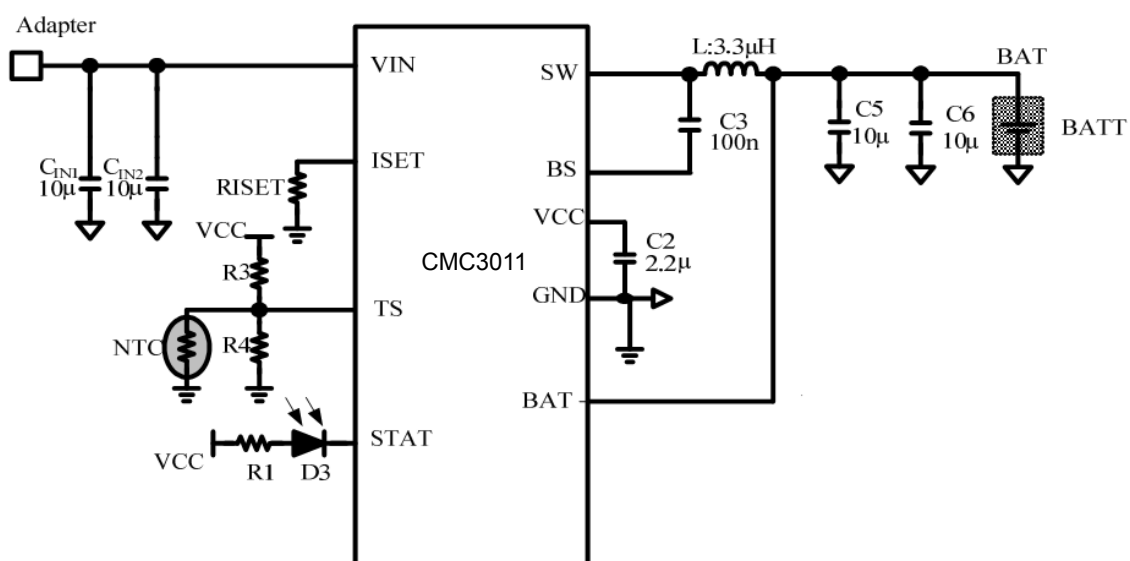
The CMC3011 is a 4.5-20V input, 2A single-cell synchronous Li-Ion battery switching charger, suitable for portable application. The CMC3011 integrates a synchronous PWM controller, 20V rating power MOSFETs, current sense resistor, high-accuracy current and voltage regulation, and charge termination, into a compact 8-pin SOP\_EP package.

### FEATURES

- 1.5MHz Synchronous Switching Charger with Integrated Power FETs
- Up to 93% Efficiency
- 20V Input Rating with 6.7V OVP
- Programmable (2A Max) Charge Current
- Built-in Charge Current Soft Start
- Built-in Reverse Current Blocking Diode
- Built-in Charge Current Sense Resistor
- Output Short Circuit Protection
- Over Temperature Protection
- Available in a SOP8\_EP Package

### APPLICATIONS

- Tablet PC, Ebook and Netbook
- Handheld Portable Media Products
- Power Bank



CMC3011 Typical Operating Circuit