

# CHY103 ChiPhy™ Family

## Charger Interface Physical Layer IC with Complete System Level Protection

### Product Highlights

- Supports Quick Charge 3.0 Class A and Class B specification
- Adaptive output overvoltage protection (AOVP)
- Secondary over-temperature protection (SOTP)
- Output soft short-circuit protection (OSSP)
- Remote shutdown protection (RESP)
  - Enables Powered Device to shutdown adapter
- Selectable hysteretic or latching shutdown
- Power consumption below 1 mW at 5 V output
- Supports InnoSwitch™, TinySwitch™, and TOPSwitch™

### Typical Applications

- Battery chargers for smart phones, tablets, netbooks, digital cameras, and bluetooth accessories
- USB power output ports such as battery banks or car chargers

### Description

CHY103 is a USB mobile device charger interface IC which implements the Qualcomm's Quick Charge 3.0 specification for adaptive voltage battery charging. It incorporates all necessary functions to add Quick Charge 3.0 capability to circuits incorporating Power Integrations' switcher ICs such as InnoSwitch™, TinySwitch™, TOPSwitch™ and other charger solutions employing traditional secondary-side feedback schemes.

CHY103 supports the full output voltage range of Quick Charge 3.0, including 200 mV micro-stepped voltage levels from 3.6 V to 12 V (Class A) and up to 20 V (Class B). CHY103 provides a suite of system level protection features protecting the power supply and connected Powered Device (PD) from excessive output voltages, secondary-side thermal overload, and faulty power delivery while adapter is unplugged. Additionally it allows the PD to remotely shutdown the power supply through USB data lines. The shutdown type can be configured as either hysteretic or latching.

CHY103 automatically detects whether a connected PD is Quick Charge 3.0 or Quick Charge 2.0 capable before enabling output voltage adjustment. If a PD that is not compliant to Quick Charge 2.0 or 3.0 is detected, the CHY103 disables output voltage adjustment to ensure safe operation with legacy 5 V only USB PDs.

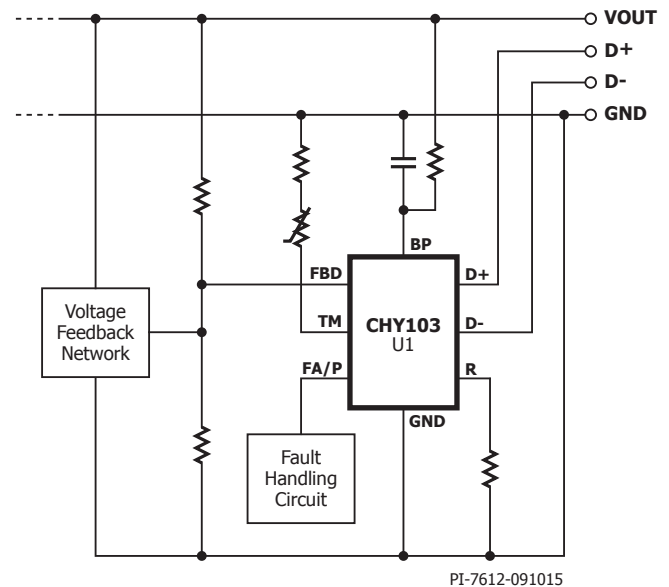


Figure 1. Typical Application Schematic.

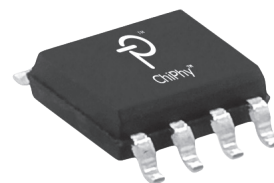


Figure 2. SO-8 (D Package).

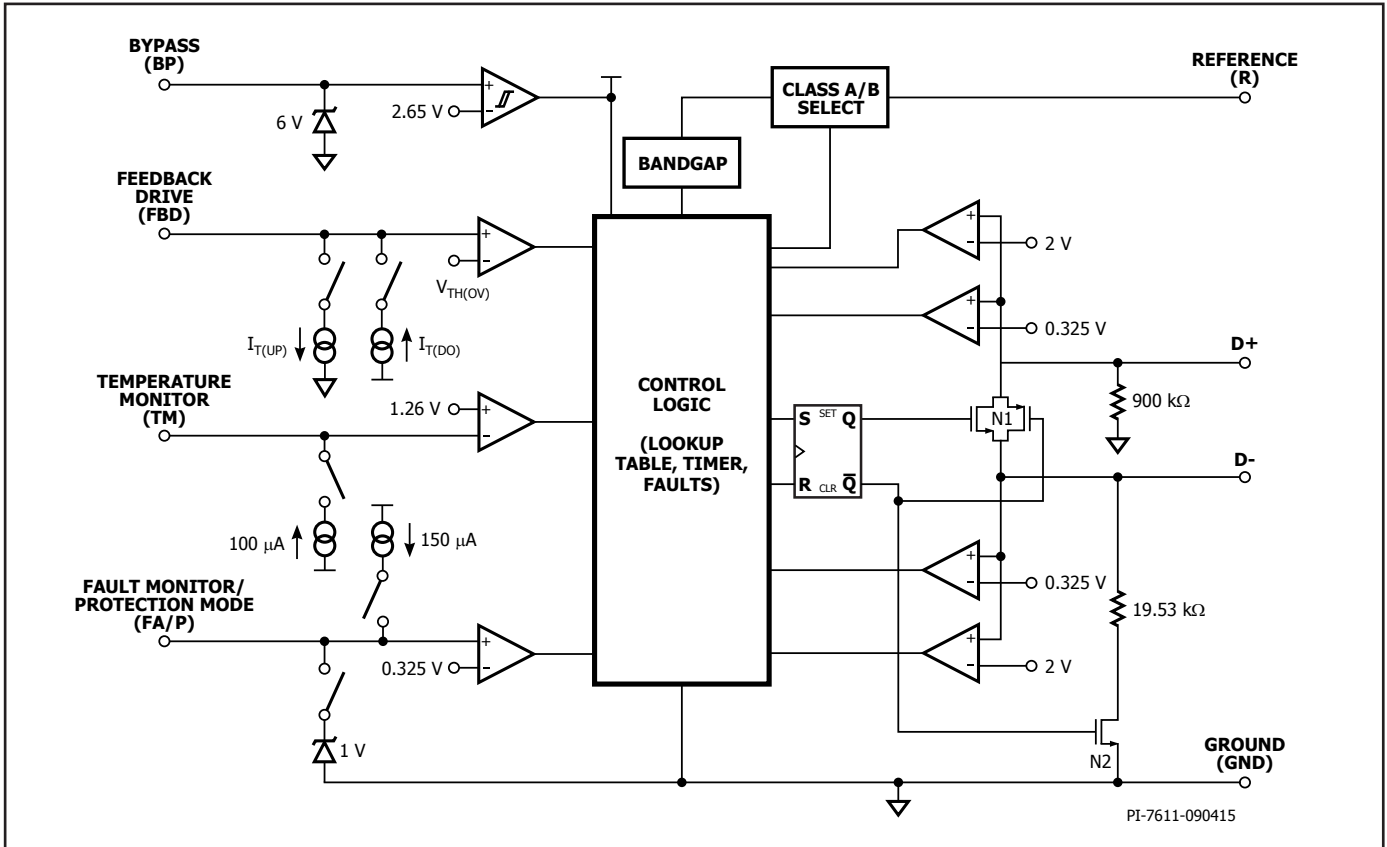


Figure 3. Functional Block Diagram.

**Pin Functional Description**

**TEMPERATURE MONITOR (TM) Pin:**

Connection point for optional external temperature sensor (NTC resistor).

**FAULT MONITOR/PROTECTION MODE (FA/P) Pin:**

Protection mode output driving external shutdown circuitry in case a fault is detected. Optional monitor input for faulty power delivery while output cable is unplugged.

**GROUND (GND) Pin:**

Ground.

**FEEDBACK DRIVE (FBD) Pin:**

Feedback loop drive output connected to reference input of external power supply error amplifier to set output voltage. Monitors output voltage through voltage divider connected to output rail.

**BYPASS (BP) Pin:**

Connection point for an external bypass capacitor for the internally generated supply voltage.

**REFERENCE (R) Pin:**

Connected to internal band-gap reference. Provides reference current and output voltage range selection (Class A or Class B) through connected resistor.

**DATA LINE (D+) Pin:**  
USB D+ data line input.

**DATA LINE (D-) Pin:**  
USB D- data line input.

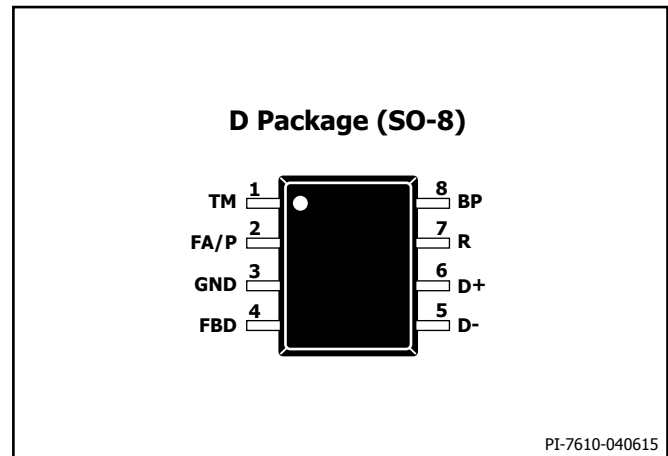


Figure 4. Pin Configuration.

**Functional Description**

CHY103 is a USB high-voltage dedicated charging port (HVDCP) interface IC for the Quick Charge 3.0 specification. It incorporates all necessary functions to add Quick Charge 3.0 capability to Power Integrations' switcher ICs such as InnoSwitch, TinySwitch, and TOPSwitch.

CHY103 also supports other solutions with traditional secondary-side feedback schemes such as TL431 for instance.

Figure 5 depicts CHY103 interfacing with Power Integrations' InnoSwitch switcher IC in a configuration with hysteretic power supply shutdown, secondary thermal protection, and faulty power delivery protection when USB cable is unplugged.

CHY103 supports the full output range of Quick Charge 3.0 Class A (3.6 V to 12 V) or Class B (3.6 V to 20 V) and its subset Quick Charge 2.0 Class A (5 V, 9 V, or 12 V) or Class B (5 V, 9 V, 12 V, and 20 V). It automatically detects either Quick Charge 3.0 or Quick Charge 2.0 capable powered devices (PD) or legacy PDs compliant with USB Battery Charging Specification revision 1.2 and only enables output voltage adjustments accordingly.

**Shunt Regulator**

The internal shunt regulator clamps the BYPASS pin at 6 V when current is provided through an external resistor ( $R_{BP}$  in Figure 5). This facilitates powering CHY103 externally over a wide output voltage range of 3.6 V to 20 V. Recommended values are  $R_{BP} = 2.21 \text{ k}\Omega \pm 1\%$  and  $C_{BP} = 470 \text{ nF}$ .

**BYPASS Pin Undervoltage**

The BYPASS pin undervoltage circuitry resets the CHY103 when the BYPASS pin voltage drops below 2.9 V. Once the BYPASS pin voltage drops below 2.9 V it must rise back to 3.1 V to commence correct operation.

**Reference and Output Voltage Range Selection Input**

Resistor  $R_{REF}$  at the REFERENCE pin is connected to an internal band

gap reference and provides an accurate reference current for internal timing circuits. Resistor  $R_{REF}$  is furthermore used to select the output voltage range.  $R_{REF} = 38.3 \text{ k}\Omega \pm 1\%$  selects Class A (12 V maximum output voltage) and  $R_{REF} = 12.4 \text{ k}\Omega \pm 1\%$  selects Class B (20 V maximum output voltage).

**Quick Charge 3.0 Interface**

At power-up CHY103 turns on switch N1 (see Figure 3) short-circuiting USB data lines D+ and D- for the initial handshake between AC-DC adapter (DCP) and powered device (PD) as described in the USB Battery Charging specification revision 1.2. After the USB BC 1.2 handshake is completed, CHY103 will turn off switch N1 if it detects a Quick Charge 3.0 or Quick Charge 2.0 compliant PD. At this point the Quick Charge 2.0 handshake followed by the Quick Charge 3.0 handshake can take place as described in the Quick Charge 2.0 and Quick Charge 3.0 protocol specification. Upon completion of the Quick Charge 2.0 and Quick Charge 3.0 handshakes, CHY103 will turn on switch N2 (see Figure 3) connecting a 19.53 k $\Omega$  pull-down resistor to USB data line D-.

Table 1 summarizes the output voltage lookup and model select table and corresponding AC-DC adapter output voltages.

| Portable Device (PD) |       | CHY103              |  |
|----------------------|-------|---------------------|--|
| D+                   | D-    | Power Supply Output | Note   |
| 0.6 V                | 0.6 V | 12 V                | Class A                                      |
| 3.3 V                | 0.6 V | 9 V                 | Class A                                      |
| 0.6 V                | 3.3 V | Continuous Mode     | Class A/B with $\pm 0.2 \text{ V}$ step size |
| 3.3 V                | 3.3 V | 20 V                | Class B                                      |
| 0.6 V                | GND   | 5 V                 | Default mode                                 |

Table 1. Quick Charge 3.0 Output Voltage Lookup and Mode Select Table.

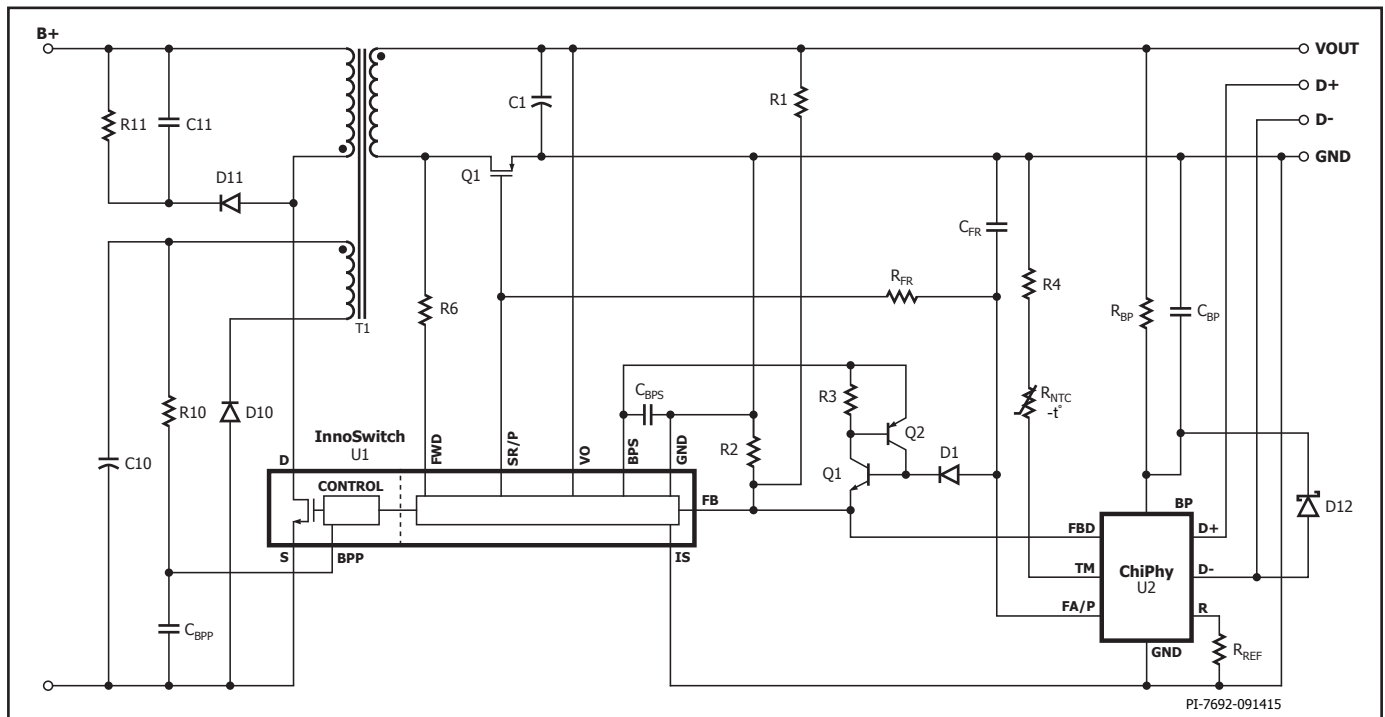


Figure 5. CHY103 with Power Integrations InnoSwitch Switcher IC with Hysteretic Fault Shutdown Protection.



through a 150  $\mu$ A current source. This signal can for instance be used to initiate hysteretic shutdown in a power supply employing InnoSwitch through circuitry Q1, Q2, D1, and R3 as shown in Figure 5.

Alternatively a primary-side latching shutdown can be configured by driving optocoupler U3 through Q1 and R5 as depicted in Figure 8. The FA/P pin is clamped internally to 1 V during normal operation.

**Adaptive Output Overvoltage Protection**

CHY103 monitors the voltage present at the FEEDBACK DRIVE pin in order to prevent excessive output voltage levels in case the power supply control loop lost regulation. The OV comparator threshold  $V_{TH(OV)}$  (see Figure 6) is adapted to the set output voltage level (5 V, 9 V, 12 V, or 20 V) outside Quick Charge 3.0 continuous mode. As soon as the output voltage reaches 120% of the set output voltage CHY103 activates the protection mode if the OV fault is present for at least 50  $\mu$ s. Adaptive OVP is blanked for 500 ms when set output voltage is stepped down outside of continuous mode (for instance from 9 V to 5 V).

In Quick Charge 3.0 continuous mode the OV comparator threshold is fixed to the respective maximum output voltage set by resistor  $R_{REF}$ . The resulting actual output OV level  $V_{OUT(OV)}$  in continuous mode depends on the respective voltage  $V_{OUT(SET)}$  and is as follows:

$$V_{OUT(OV)} = V_{OUT(SET)} + 2.4 V$$

**System Level Fault Protection**

CHY103 offers an optional system level check to verify that power delivered by the power supply is not caused by a possible soft-short circuit present at the output but is requested by a connected PD. The

system fault check is either activated automatically by CHY103 when no PD is connected (D+ is below 0.325 V) or can be initiated remotely through the connected PD as outlined in the flowchart shown in Figure 9.

The FAULT MONITOR/PROTECTION pin monitors the switching frequency of InnoSwitch through a voltage to frequency converter  $R_{FR}$  and  $C_{FR}$  (refer to Figure 5). When the voltage at the FAULT MONITOR/PROTECTION pin exceeds 0.325 V, a fault is flagged and CHY103 activates the protection mode if the fault is present for at least 40 ms. The fault monitor input is only active when no PD is connected (D+ is below 0.325 V) or a connected PD initiates a remote system level

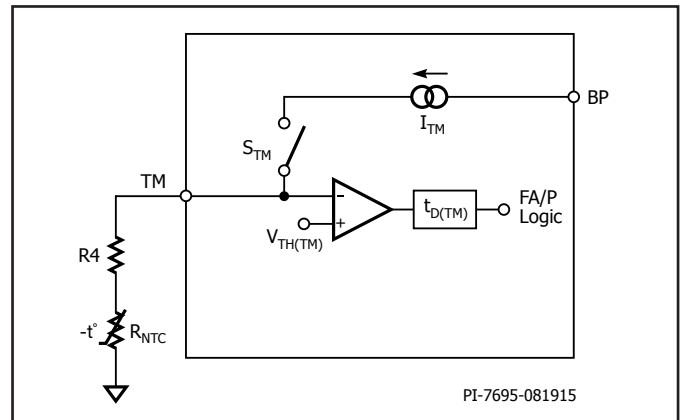


Figure 10. Optional Thermal Monitor Through NTC Resistor.

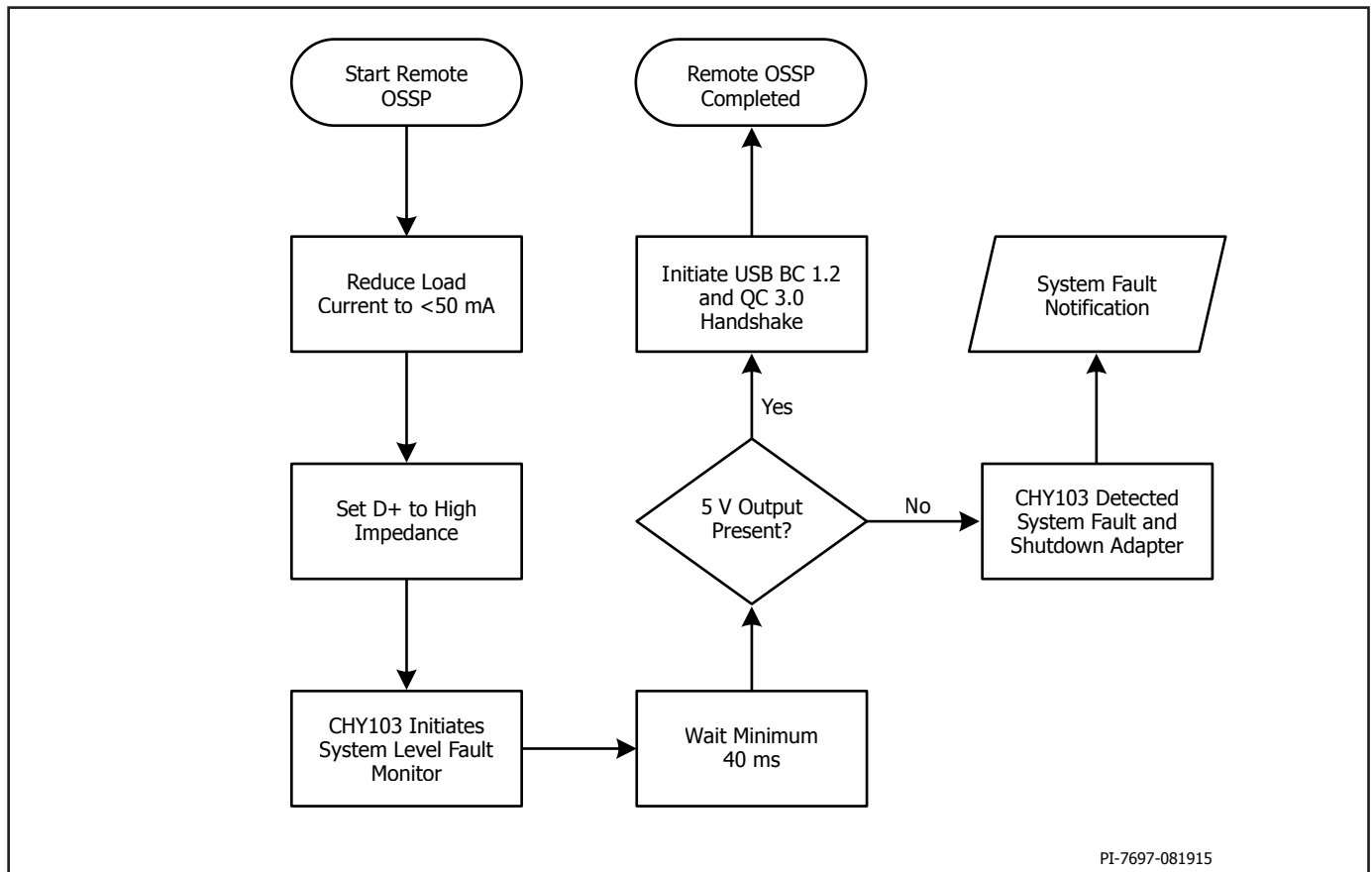


Figure 9. Remote System Level Check Flowchart.

check (see Figure 9). This way CHY103 can detect faulty power delivery which could be for instance caused by a soft short-circuit in the power supply output socket. Recommended component values are  $R_{FR} = 1\text{ M}\Omega$  and  $C_{FR} = 1\text{ pF}$ .

Note that in very noisy environments noise pickup through a potentially connected USB cable may prevent correct detection of a faulty power delivery when no PD is attached despite CHY103's internal D+ pull-down resistor  $R_{DAT(LKG)}$ . If a power supply with CHY103 is expected to supply PDs that are not fully USB BC 1.2 compliant (e.g. leave data lines floating after handshake), it is recommended to disable this protection function by removing  $R_{FR}$  and  $C_{FR}$  (see Figure 5) and by connecting the FAULT MONITORING/ PROTECTION pin to Ground through a 470 k $\Omega$  resistor.

### Temperature Sensing

CHY103 can optionally monitor temperature through an NTC resistor as depicted in Figure 10. The NTC resistor could be for instance positioned at the adapter output socket or plastic enclosure.

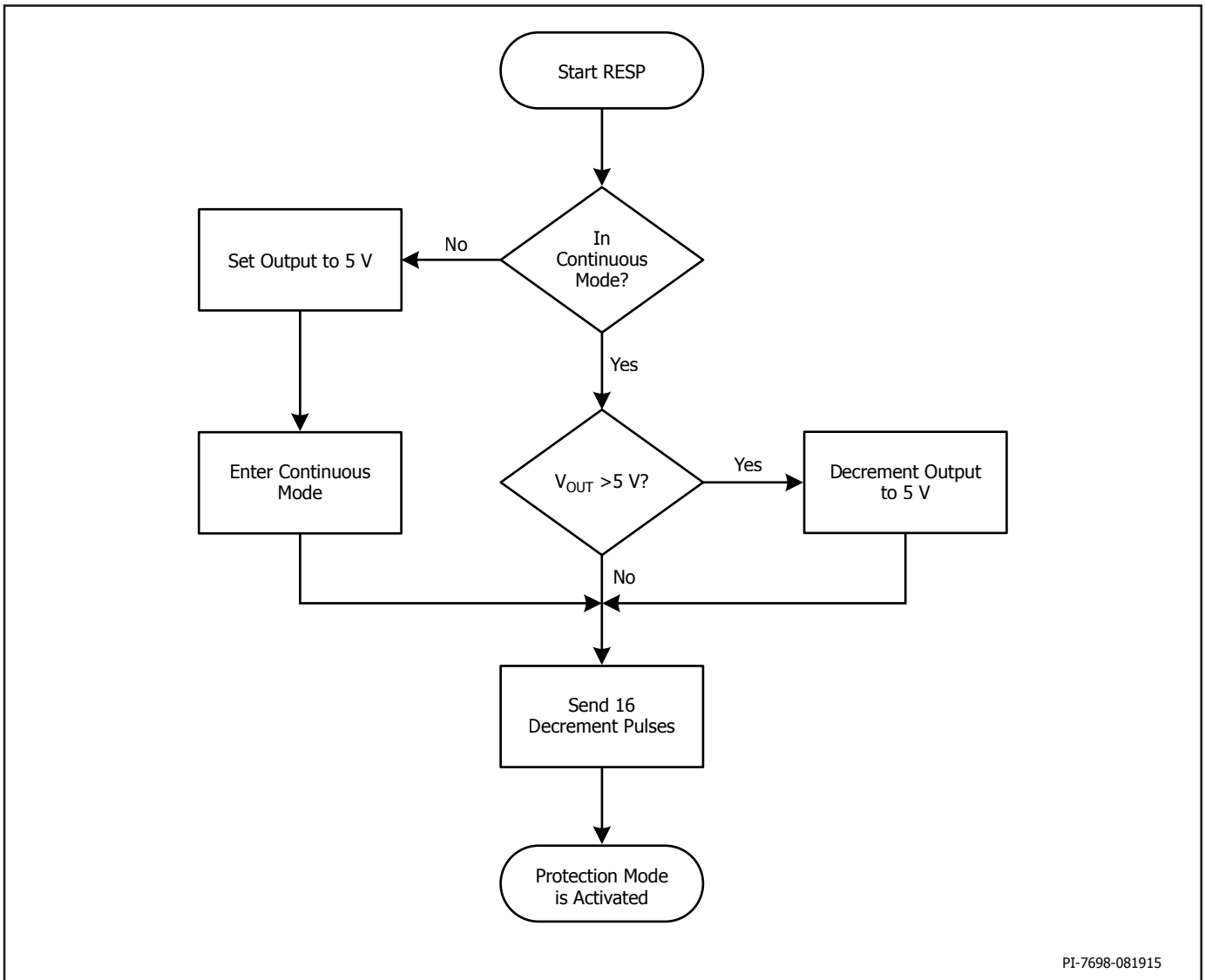
Current source  $I_{TM}$  is periodically turned on and the resulting voltage level at the TEMPERATURE MONITOR pin is compared to the internal threshold  $V_{TH(TM)}$ . CHY103 will activate the protection mode if the voltage level present at the TEMPERATURE MONITOR pin is below 1.20 V for at least 1 ms. Resistor R4 is used for tuning the shutdown temperature threshold to the desired level. For a NTC resistance value  $R_{NTC(TSD)}$  at the desired shutdown temperature TSD R4 is chosen as follows:

$$R4 = 12\text{ k}\Omega - R_{NTC(TSD)}$$

The thermal protection function can be disabled by pulling the TEMPERATURE MONITOR pin high to the BYPASS pin through a 200 k $\Omega$  resistor.

### Remote Shutdown

CHY103 allows the powered device (PD) to shut down the power supply in case of a remote fault condition. The Remote Shutdown Protection (RESP) sequence required to activate the protection mode



PI-7698-081915

Figure 11. Remote Shutdown Protection Flowchart.

is depicted in Figure 11. Note that CHY103 will not decrement the output voltage below the minimum Quick Charge 3.0 output level of 3.6 V during the shutdown sequence.

For applications that require the power supply to be tolerant to high ESD stress levels (for instance  $\pm 15$  kV air discharge), it is recommended to connect 1N4148 or equivalent diodes to the USB data line D- as depicted in Figure 12.

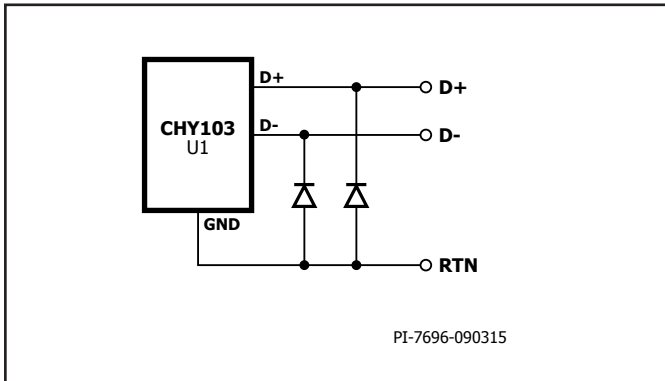


Figure 12. Data Lines High ESD Level Protection.





**Fault Protection**

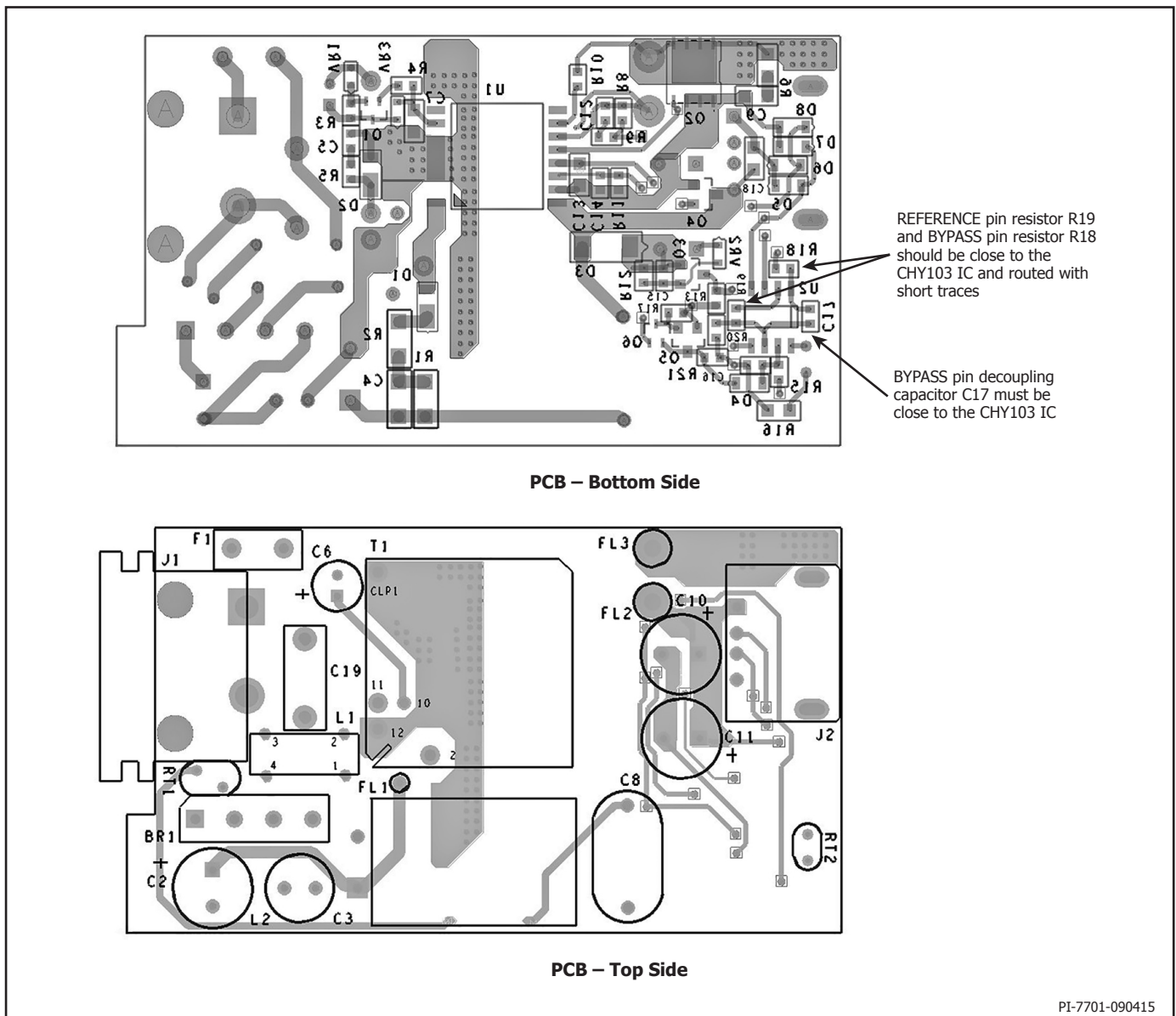
Fault protection by primary-side latching shutdown can be achieved by using an optocoupler U3 as shown in Figure 8. This circuit should be designed such that the InnoSwitch PRIMARY BYPASS pin current should be more than at least 9.6 mA (i.e. the PRIMARY BYPASS pin shutdown threshold current of the InnoSwitch IC) at the time as per to InnoSwitch-IC data sheet when the optocoupler conducts. If the optocoupler transistor current is such that the primary bypass current does not exceed the PRIMARY BYPASS pin shutdown threshold current value, then even though CHY103 IC’s protection feature would work (CHY103 IC FAULT MONITOR/PROTECTION MODE pin goes high), the power supply would not latch off to protect the device from any damage.

Alternatively a non-latching protection scheme can be implemented as described in the Protection Mode section of the data sheet (Figure 5). With the circuit proposed in Figure 5, during a fault condition (CHY103 IC FAULT MONITOR/PROTECTION MODE pin goes high), the InnoSwitch-IC

FEEDBACK pin voltage will be raised above the maximum  $V_{FB}$  value (=1.28 V as per the InnoSwitch data sheet), which causes the InnoSwitch IC to stop switching. Once the InnoSwitch IC has stopped switching for a time equal to  $t_{AR(SK)}$  (as per to InnoSwitch data sheet), auto-restart of the InnoSwitch IC will follow. This process will repeat until the fault condition is removed.

**Layout Design Considerations**

- The decoupling capacitor C17 must be located directly adjacent to the BYPASS pin and should be routed with short traces.
- Resistors R19 for providing reference current to the IC and resistor R18 for providing bias supply to the IC should be placed as close to the IC as possible and should be routed with short traces.
- The FEEDBACK DRIVE pin of CHY103 is connected to the FEEDBACK pin of InnoSwitch and hence a close placement of the two ICs is recommended.
- It is also recommended to place capacitor C16 close to the CHY103 IC.



PI-7701-090415

Figure 14. PCB Layout Design.

## Absolute Maximum Ratings<sup>3</sup>

|                                     |                   |   |        |
|-------------------------------------|-------------------|---|--------|
| BYPASS Pin Voltage .....            | -0.3 to 9 V       | Lead Temperature <sup>2</sup> .....   | 260 °C |
| REFERENCE Pin Voltage .....         | -0.3 to 9 V       | Notes:  |        |
| TM/FA/P/FBD Pin Voltage .....       | -0.3 to 9 V       | 1. Per USB BC 1.2 and HVDCP specifications.   |        |
| D+/D- Pin Voltage .....             | -0.3 to 5 V       | 2. 1/16 in. from case for 5 seconds.  |        |
| BYPASS Pin Current .....            | 25 mA             | 3. The Absolute Maximum Ratings specified may be applied one at a time without causing permanent damage to the product. |        |
| D+/D- Pin Current .....             | 1 mA <sup>1</sup> | Exposure to Absolute Maximum Rating conditions for extended periods of time may affect product reliability.             |        |
| Operating Junction Temperature..... | -40 °C to +150 °C |   |        |
| Operating Ambient Temperature.....  | -40 °C to +105 °C |   |        |
| Storage Temperature .....           | -65 °C to 150 °C  |   |        |

| Parameter  | Symbol                               | Conditions  | Min   | Typ   | Max   | Units |
|--|--------------------------------------|---|-------|-------|-------|-------|
|  |                                      | SOURCE = 0 V; T <sub>J</sub> = -20 °C to +85 °C<br>(Unless Otherwise Specified) |       |       |       |       |
| <b>Supply and Reference Function</b>                   |                                      |   |       |       |       |       |
| <b>BYPASS Pin Voltage</b>                              | V <sub>BP</sub>                      | T <sub>J</sub> = +25 °C   | 3.1   | 4.3   | 6.3   | V     |
| <b>Power-Up Reset Threshold Voltage</b>                | V <sub>BP(RESET)</sub>               |   | 2.5   | 2.7   | 2.9   | V     |
| <b>BYPASS Pin Source Current</b>                       | I <sub>BPSC</sub>                    | V <sub>BP</sub> = 4.3 V, R <sub>REF</sub> = 38.3 kΩ, T <sub>J</sub> = 25 °C     |       |       | 200   | μA    |
| <b>BYPASS Pin Shunt Voltage</b>                        | V <sub>BP(SHUNT)</sub>               | I <sub>BP</sub> = 8 mA  | 5.7   | 6     | 6.3   | V     |
| <b>REFERENCE Pin Voltage</b>                           | V <sub>R</sub>                       | R <sub>REF</sub> = 38.3 kΩ<br>Class A   | 0.371 | 0.383 | 0.395 | V     |
|  |                                      | R <sub>REF</sub> = 12.4 kΩ<br>Class B   | 0.361 | 0.372 | 0.383 |       |
| <b>Data Line D+ and D- Functions (HVDCP Interface)</b> |                                      |   |       |       |       |       |
| <b>Data Detect Voltage</b>                             | V <sub>DAT(REF)</sub>                |   | 0.250 | 0.325 | 0.400 | V     |
| <b>Output Voltage Selection Reference</b>              | V <sub>SEL(REF)</sub>                |   | 1.8   | 2     | 2.2   | V     |
| <b>Data Lines Short-Circuit Delay</b>                  | T <sub>DAT(SHORT)</sub>              | V <sub>OUT</sub> ≥ 0.8 V  |       | 10    | 20    | ms    |
| <b>D+ High Glitch Filter Time</b>                      | T <sub>GLITCH(BC)<br/>DONE</sub>     |   | 1000  |       | 1500  | ms    |
| <b>D- Low Glitch Filter Time</b>                       | T <sub>GLITCH(DM)<br/>LOW</sub>      |   | 1     |       |       | ms    |
| <b>Output Voltage Glitch Filter Time</b>               | T <sub>GLITCH(V)<br/>CHANGE</sub>    |   | 20    | 40    | 60    | ms    |
| <b>Continuous Mode Glitch Filter Time</b>              | T <sub>GLITCH(CONT)<br/>CHANGE</sub> |   | 100   |       | 200   | μs    |
| <b>D+ Leakage Resistance</b>                           | R <sub>DAT(LKG)</sub>                | V <sub>BP</sub> = 3.1-6.3 V, VD+ = 0.5-3.6 V<br>Switch N1 is Off                | 300   | 900   | 1500  | kΩ    |
| <b>D- Pull-Down Resistance</b>                         | R <sub>DM(DWN)</sub>                 |   | 14.25 | 19.53 | 24.5  | kΩ    |
| <b>Switch N1 On-Resistance</b>                         | R <sub>DS(ON)N1</sub>                | V <sub>BP</sub> = 4.3 V, V <sub>D+</sub> ≤ 3.6 V, I <sub>DRAIN</sub> = 200 μA   |       | 20    | 40    | Ω     |
| <b>Data Line Capacitance</b>                           | C <sub>DCP(PWR)</sub>                | See Note A  |       |       | 1     | nF    |

| Parameter                               | Symbol             | Conditions  |  |       | Min   | Typ   | Max | Units         |
|---|--------------------|---|--|-------|-------|-------|-----|---------------|
|   |                    | SOURCE = 0 V; T <sub>J</sub> = -20 °C to +85 °C<br>(Unless Otherwise Specified) |  |       |       |       |     |               |
| <b>FEEDBACK Pin Drive Functions</b>     |                    |   |  |       |       |       |     |               |
| Toggle Up Current Source Step           | $\Delta I_{T(UP)}$ |   |  |       | 2     |       |     | $\mu\text{A}$ |
| Toggle Down Current Source Step         | $\Delta I_{T(DO)}$ |   |  |       | 2     |       |     | $\mu\text{A}$ |
| <b>Protection Functions</b>             |                    |   |  |       |       |       |     |               |
| Output Overvoltage Threshold            | $V_{TH(OV)}$       | QC 2.0 Mode<br>Class A / Class B  | $I_{T(UP)} = 0$ (5 V)                  | 1.44  | 1.52  | 1.60  | V   |               |
|   |                    |   | $I_{T(UP)} = 40$ $\mu\text{A}$ (9 V)   | 1.60  | 1.72  | 1.84  |     |               |
|   |                    |   | $I_{T(UP)} = 70$ $\mu\text{A}$ (12 V)  | 1.74  | 1.87  | 2.00  |     |               |
|   |                    |   | $I_{T(UP)} = 150$ $\mu\text{A}$ (20 V) | 2.12  | 2.28  | 2.44  |     |               |
|   |                    | QC 3.0<br>Continuous Mode   | $R_{REF} = 38.3$ k $\Omega$<br>Class A | 1.74  | 1.87  | 2.00  |     |               |
|   |                    |   | $R_{REF} = 12.4$ k $\Omega$<br>Class B | 2.12  | 2.28  | 2.44  |     |               |
| Output OV Detection Delay Time          | $t_{D(OV)}$        |   |  |       | 50    |       |     | $\mu\text{s}$ |
| Output OV Detection Blanking Time       | $t_{B(OV)}$        |   |  | 500   |       |       |     | ms            |
| Output Socket Fault Detection Threshold | $V_{TH(FA)}$       |   |  | 0.250 | 0.325 | 0.400 |     | V             |
| Socket Fault Detection Delay Time       | $t_{D(FA)}$        |   |  |       | 40    |       |     | ms            |
| FA/P Pin Clamp Voltage                  | $V_{CL}$           | $I_{CLAMP} = 100$ $\mu\text{A}$   |  |       |       | 1     |     | V             |
| Over-Temperature Detection Threshold    | $V_{TH(TM)}$       |   |  | 1.12  | 1.20  | 1.28  |     | V             |
| Over-Temperature Detection Delay Time   | $t_{D(TM)}$        |   |  |       | 1     |       |     | ms            |
| Temperature Monitor Current Source      | $I_{TM}$           |   |  |       | 100   |       |     | $\mu\text{A}$ |
| Temperature Monitor Current On-Time     | $t_{ON(ITM)}$      |   |  |       | 12    |       |     | ms            |
| Temperature Monitor Current Duty Ratio  | $D_{ITM}$          |   |  |       | 1     |       |     | %             |
| Protection Mode Current Source          | $I_P$              |   |  | 100   | 150   | 200   |     | $\mu\text{A}$ |

**NOTES:**

A. Guaranteed by design. Not tested in production.



---

Notes

| Revision | Notes              | Date  |
|----------|--------------------|-------|
| B        | Code A data sheet. | 09/15 |

**For the latest updates, visit our website: [www.power.com](http://www.power.com)**

Power Integrations reserves the right to make changes to its products at any time to improve reliability or manufacturability. Power Integrations does not assume any liability arising from the use of any device or circuit described herein. POWER INTEGRATIONS MAKES NO WARRANTY HEREIN AND SPECIFICALLY DISCLAIMS ALL WARRANTIES INCLUDING, WITHOUT LIMITATION, THE IMPLIED WARRANTIES OF MERCHANTABILITY, FITNESS FOR A PARTICULAR PURPOSE, AND NON-INFRINGEMENT OF THIRD PARTY RIGHTS.

**Patent Information**

The products and applications illustrated herein (including transformer construction and circuits external to the products) may be covered by one or more U.S. and foreign patents, or potentially by pending U.S. and foreign patent applications assigned to Power Integrations. A complete list of Power Integrations patents may be found at [www.power.com](http://www.power.com). Power Integrations grants its customers a license under certain patent rights as set forth at <http://www.power.com/ip.htm>.

**Life Support Policy**

POWER INTEGRATIONS PRODUCTS ARE NOT AUTHORIZED FOR USE AS CRITICAL COMPONENTS IN LIFE SUPPORT DEVICES OR SYSTEMS WITHOUT THE EXPRESS WRITTEN APPROVAL OF THE PRESIDENT OF POWER INTEGRATIONS. As used herein:

1. A Life support device or system is one which, (i) is intended for surgical implant into the body, or (ii) supports or sustains life, and (iii) whose failure to perform, when properly used in accordance with instructions for use, can be reasonably expected to result in significant injury or death to the user.
2. A critical component is any component of a life support device or system whose failure to perform can be reasonably expected to cause the failure of the life support device or system, or to affect its safety or effectiveness.

The PI logo, TOPSwitch, TinySwitch, LinkSwitch, LYTSwitch, InnoSwitch, DPA-Switch, PeakSwitch, CAPZero, SENZero, LinkZero, HiperPFS, HiperTFS, HiperLCS, Qspeed, EcoSmart, Clampless, E-Shield, Filterfuse, FluxLink, StakFET, PI Expert and PI FACTS are trademarks of Power Integrations, Inc. Other trademarks are property of their respective companies. ©2015, Power Integrations, Inc.

**Power Integrations Worldwide Sales Support Locations**

**World Headquarters**

5245 Hellyer Avenue  
San Jose, CA 95138, USA.  
Main: +1-408-414-9200  
Customer Service:  
Phone: +1-408-414-9665  
Fax: +1-408-414-9765  
e-mail: [usasales@power.com](mailto:usasales@power.com)

**China (Shanghai)**

Rm 2410, Charity Plaza, No. 88  
North Caoxi Road  
Shanghai, PRC 200030  
Phone: +86-21-6354-6323  
Fax: +86-21-6354-6325  
e-mail: [chinasales@power.com](mailto:chinasales@power.com)

**China (Shenzhen)**

17/F, Hivac Building, No. 2, Keji Nan  
8th Road, Nanshan District,  
Shenzhen, China, 518057  
Phone: +86-755-8672-8689  
Fax: +86-755-8672-8690  
e-mail: [chinasales@power.com](mailto:chinasales@power.com)

**Germany**

Lindwurmstrasse 114  
80337 Munich  
Germany  
Phone: +49-895-527-39110  
Fax: +49-895-527-39200  
e-mail: [eurosales@power.com](mailto:eurosales@power.com)

**India**

#1, 14th Main Road  
Vasanthanagar  
Bangalore-560052 India  
Phone: +91-80-4113-8020  
Fax: +91-80-4113-8023  
e-mail: [indiasales@power.com](mailto:indiasales@power.com)

**Italy**

Via Milanese 20, 3rd. Fl.  
20099 Sesto San Giovanni (MI)  
Italy  
Phone: +39-024-550-8701  
Fax: +39-028-928-6009  
e-mail: [eurosales@power.com](mailto:eurosales@power.com)

**Japan**

Kosei Dai-3 Bldg.  
2-12-11, Shin-Yokohama,  
Kohoku-ku  
Yokohama-shi Kanagwan  
222-0033 Japan  
Phone: +81-45-471-1021  
Fax: +81-45-471-3717  
e-mail: [japansales@power.com](mailto:japansales@power.com)

**Korea**

RM 602, 6FL  
Korea City Air Terminal B/D, 159-6  
Samsung-Dong, Kangnam-Gu,  
Seoul, 135-728, Korea  
Phone: +82-2-2016-6610  
Fax: +82-2-2016-6630  
e-mail: [koreasales@power.com](mailto:koreasales@power.com)

**Singapore**

51 Newton Road  
#19-01/05 Goldhill Plaza  
Singapore, 308900  
Phone: +65-6358-2160  
Fax: +65-6358-2015  
e-mail: [singaporesales@power.com](mailto:singaporesales@power.com)

**Taiwan**

5F, No. 318, Nei Hu Rd., Sec. 1  
Nei Hu Dist.  
Taipei 11493, Taiwan R.O.C.  
Phone: +886-2-2659-4570  
Fax: +886-2-2659-4550  
e-mail: [taiwansales@power.com](mailto:taiwansales@power.com)

**UK**

Cambridge Semiconductor,  
a Power Integrations company  
Westbrook Centre, Block 5, 2nd Floor  
Milton Road  
Cambridge CB4 1YG  
Phone: +44 (0) 1223-446483  
e-mail: [eurosales@power.com](mailto:eurosales@power.com)