

---

# **Implementing A Smoke Detector With The MSP430F2012**

---

*Mike Mitchell**MSP430 Applications*

## **ABSTRACT**

This application report describes how to implement an ultra-low-power photo-diode-based smoke detector using the MSP430F2012 and an external operational amplifier that is powered from two AAA batteries. The complete schematic is shown, and the solution is discussed. The complete code is downloadable from [www.ti.com](http://www.ti.com). In addition, a solution for a piezzo-electric buzzer driver is shown that produces >85-dB sound pressure level at a 10-foot distance.

---

## **Contents**

1	Introduction .....	2
2	Implementation.....	2
3	Software .....	4
4	Power Budget .....	6
5	References .....	6

## **List of Figures**

1	Schematic .....	3
2	Software Flow .....	5

## **List of Tables**

1	Power Budget Normalized For One Second .....	6
---	--	---

## 1 Introduction

This application report describes how to implement an ultra-low-power photo-diode-based smoke detector. An infrared (IR) diode and IR receiver are used inside a smoke chamber to detect the presence of smoke. The IR diode is pulsed periodically, and the IR receiver signal is examined to determine if smoke is present in the chamber. An operational amplifier is used to magnify the IR receiver current as a transimpedance amplifier, so it can be sampled by the ADC in the MSP430. Between sampling periods, the operational amplifier and IR circuitry are shut down, and the microcontroller is in a standby mode, consuming less than 1- $\mu$ A current.

When smoke is detected, the buzzer is sounded. The smoke detector implements a loud piezzo-electric buzzer driver circuit capable of producing >85-dB sound pressure level at a measurement distance of 10 feet.

## 2 Implementation

The smoke detector samples the IR circuitry for the presence of smoke every eight seconds. The MSP430 has an internal RC oscillator called the VLO that is used in conjunction with Timer\_A to generate an eight-second interrupt. This interrupt brings the MSP430 out of LPM3. The VLO is calibrated by using the on-chip calibrated DCO oscillator to determine how many VLO clock cycles are required for a one-second interval. This number is used as the rollover period for Timer\_A, and Timer\_A is clocked from the VLO. The input clock divider for Timer\_A is set to +8, which gives an eight-second wake-interrupt to the MSP430.

When the MSP430 comes out of LPM3, it turns on the operational amplifier, allows for a settling time, and then samples the IR receiver current with the IR diode off. Then it turns on the IR diode, allows for a settling time, and measures the IR receiver current again. The two measurements are compared to determine if smoke is present.

To prevent false alarms, smoke must be detected three times before sounding the alarm. After the first detection, the clock divider of Timer\_A is set to +4, giving a four-second interval between the first indication of smoke and the next sampling. If smoke is determined to be present in the second sampling, the Timer\_A clock divider is set to +1, giving only a one-second interval between the second detection of smoke and the next sampling. If smoke is detected the third time, the alarm is sounded, and the detector continues sampling for smoke at one-second intervals.

The TLV2780 is the operational amplifier chosen for the application. It was chosen for its balance of cost vs settling-time performance. The application is constructed to minimize current consumption. For this reason, the operational amplifier is powered directly from an MSP430 port pin, even though it has a shutdown feature. The TLV2780 can consume up to 1.4  $\mu$ A at room temperature in shutdown mode. This continuous current consumption is avoided by powering the operational amplifier directly from the MSP430 port pin. In this case, when the operational amplifier is turned off, it consumes no current.

In addition, the power-on time and settling time of the operational amplifier were considered in its choosing. The goal is to keep the operational amplifier and IR circuitry on for a minimum time. Thus, the settling time of the operational amplifier can impact current consumption, if it requires too much time.

The application is powered by two AAA batteries and operates over the full 1.8-V to 3.6-V range of the batteries. To provide the necessary voltage for the loud piezzo buzzer, a TPS61040 low-power dc/dc boost converter is used. The boost converter powers the self-oscillation circuit of the piezzo buzzer. Thus, when the boost converter is on, the buzzer sounds, and when the boost converter is off, the buzzer is off.

The enable pin of the boost converter is tied to the TA1 output of the MSP430. When the alarm is sounded, the period of Timer\_A is set to one second, and the CCR1 register of Timer\_A is used to automatically generate a 50% duty cycle, 1-Hz signal to enable and disable the buzzer. This automatically gives a half-second on/half-second off cadence for the buzzer, when the alarm is sounding, with no additional software intervention required to generate the alarm timing.

The complete schematic is shown in [Figure 1](#).

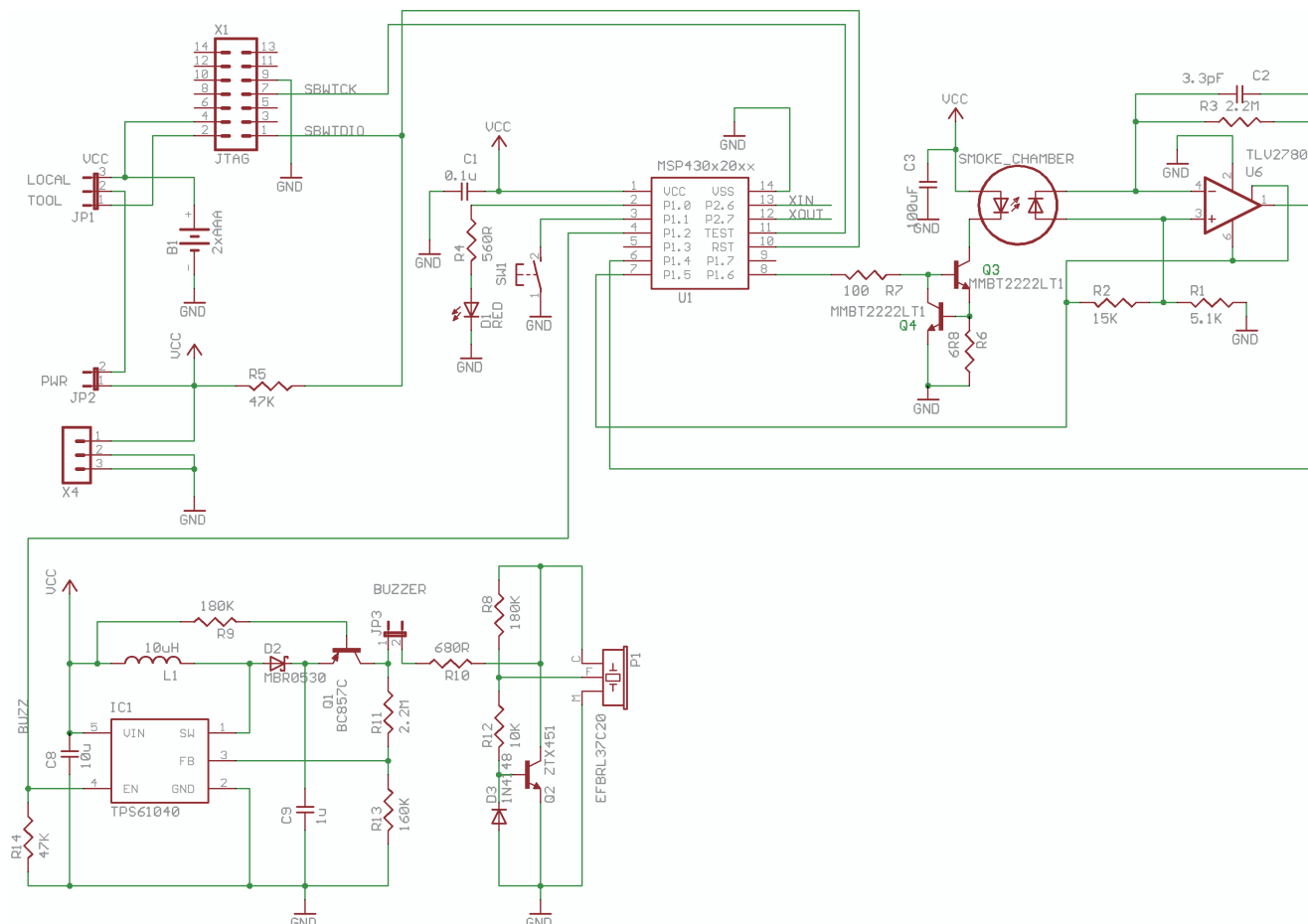


Figure 1. Schematic

### 3 Software

In the initialization routine, all the MSP430 pins are configured, and unused pins are configured for the lowest power consumption. Next, the calibrated 1-MHz DCO values are loaded to the DCO control registers. The VLO is calibrated against the calibrated 1-MHz DCO clock source, and Timer\_A is configured to give an eight-second interrupt as described in [Section 2](#).

The main loop consists of entering LPM3, calling the sampling and averaging routines, and determining if smoke is present. The loop requires smoke to be detected three times before sounding the alarm, as described in [Section 2](#), and adjusts the timing interval of the sampling accordingly.

The VLO calibration procedure is performed only once in the application, but could be performed as often as deemed necessary, given the VLO drift specifications and the timing accuracy requirements of the application. To calibrate the VLO, Timer\_A is configured to be clocked from the calibrated 1-MHz DCO clock and to operate in continuous mode. ACLK is configured to be sourced from the VLO divided by eight. ACLK is then used as the capture source for CCR0 of timer, and the number of DCO clock cycles that fit one VLO/8 period is counted. This is equivalent to the ratio of the VLO frequency to 8 MHz; thus 8 000 000 is divided by this number to yield the VLO frequency. The result of the division is used as the period for Timer\_A, to provide the 1-s, 4-s, and 8-s timing intervals.

Because a very small MSP430 with limited code space is used in this application, an approximate division routine is implemented directly in the code to determine the VLO frequency, rather than allowing the C compiler to call a complex general-purpose division routine. The timing requirements of the application do not require floating-point math, so a simple subtraction routine approximates the required division.

The sampling routine, shown in [Figure 2](#), samples the IR receiver with the IRLED both on and off. First, the OA and visible LED indicator are turned on, and the ADC10 is configured to take measurements. It is configured to automatically take four ADC conversions, which are automatically moved into RAM using the DTC feature of the ADC10. After a small settling time, the ADC10 is started and the MSP430 is put into LPM3, while the four ADC conversions are taken. The DTC interrupts the MSP430 automatically after four conversions, and the DTC interrupt service routine returns the MSP430 to active mode. Next, the IRLED is turned on and, after a small settling time, the four-conversion process is repeated. At the conclusion of sampling, the operational amplifier, IRLED, ADC, and visible LED are turned off, and the averaging routine is called.

The averaging routine averages the four dark samples and the four light samples for comparison in the main routine.

Finally, the software implements an interrupt handler for the switch. The switch is used in this application to turn the buzzer on and off manually. At initialization, the switch input port pin is configured as an input with its internal pullup resistor enabled and interrupt enabled. The ISR for the switch enacts a software debounce routine and then toggles the buzzer enable. Pressing once turns the buzzer on; pressing a second time turns the buzzer off.

The complete software flow is shown in [Figure 2](#).

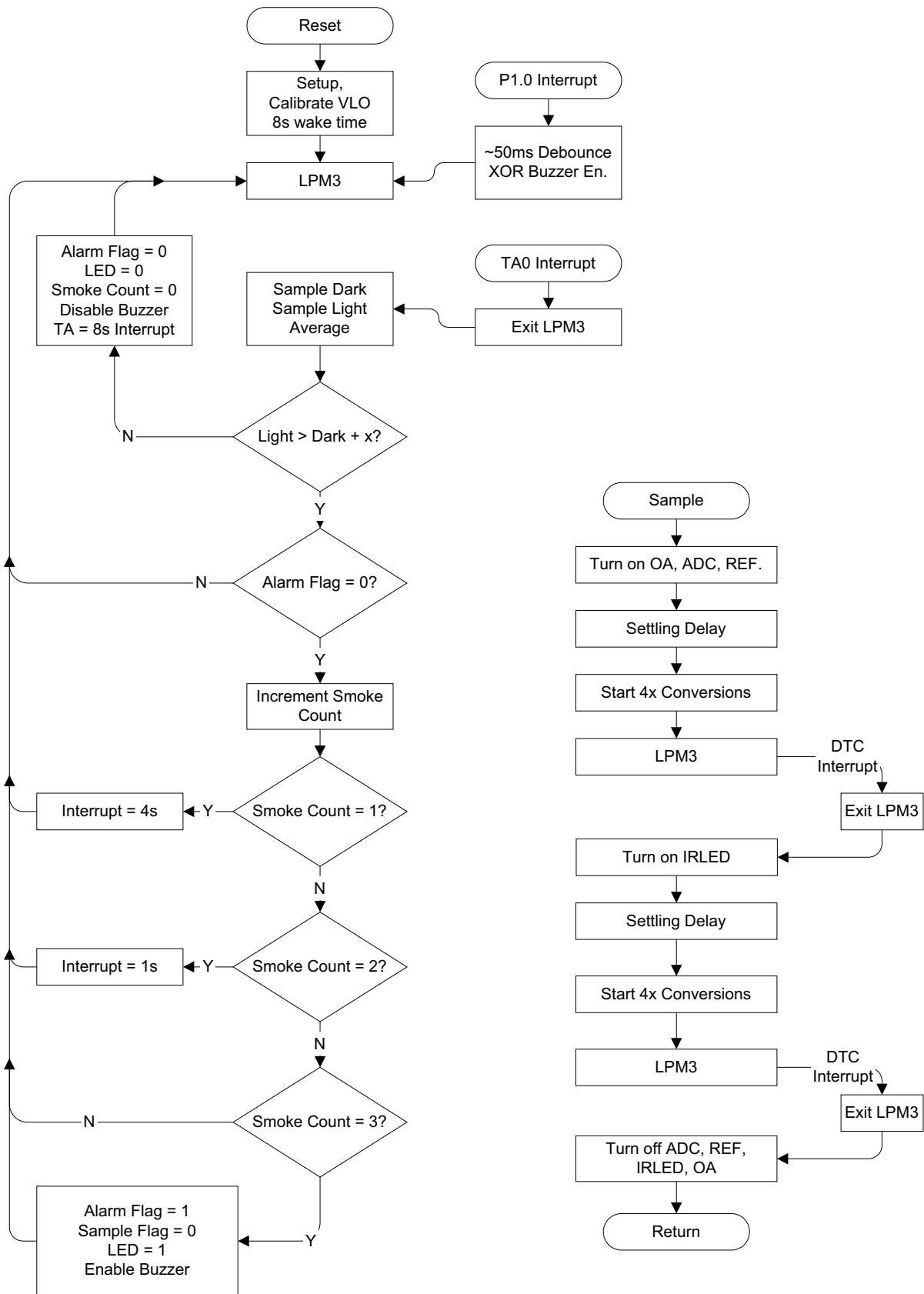


Figure 2. Software Flow

## 4 Power Budget

The typical power budget is shown below in [Table 1](#).

**Table 1. Power Budget Normalized For One Second**

Function	Duration	Current	Normalized Current
MSP430 active (1 MHz at 3 V)	422.6 $\mu$ s	300 $\mu$ A	15.8 nA
MSP430 in LPM3	7.999577 s	0.6 $\mu$ A	0.6 $\mu$ A
Operational amplifier	190.6 $\mu$ s	650 $\mu$ A	15.5 nA
ADC reference	190.6 $\mu$ s	250 $\mu$ A	5.95 nA
ADC core	20.8 $\mu$ s	600 $\mu$ A	1.56 nA
IRLED	100.8 $\mu$ s	100 mA	1.26 $\mu$ A
TPS61040 in shutdown	Continuous	0.1 $\mu$ A	0.1 $\mu$ A
Total			2.00 $\mu$ A

## 5 References

1. *MSP430x2xx Family User's Guide* (literature number SLAU144)
2. *MSP430x20x2 datashseet* (literature number SLAS491)
3. *TLV2780 datasheet* (literature number SLOS245)
4. *TPS61040 datasheet* (literature number SLVS413)

## IMPORTANT NOTICE

Texas Instruments Incorporated and its subsidiaries (TI) reserve the right to make corrections, modifications, enhancements, improvements, and other changes to its products and services at any time and to discontinue any product or service without notice. Customers should obtain the latest relevant information before placing orders and should verify that such information is current and complete. All products are sold subject to TI's terms and conditions of sale supplied at the time of order acknowledgment.

TI warrants performance of its hardware products to the specifications applicable at the time of sale in accordance with TI's standard warranty. Testing and other quality control techniques are used to the extent TI deems necessary to support this warranty. Except where mandated by government requirements, testing of all parameters of each product is not necessarily performed.

TI assumes no liability for applications assistance or customer product design. Customers are responsible for their products and applications using TI components. To minimize the risks associated with customer products and applications, customers should provide adequate design and operating safeguards.

TI does not warrant or represent that any license, either express or implied, is granted under any TI patent right, copyright, mask work right, or other TI intellectual property right relating to any combination, machine, or process in which TI products or services are used. Information published by TI regarding third-party products or services does not constitute a license from TI to use such products or services or a warranty or endorsement thereof. Use of such information may require a license from a third party under the patents or other intellectual property of the third party, or a license from TI under the patents or other intellectual property of TI.

Reproduction of information in TI data books or data sheets is permissible only if reproduction is without alteration and is accompanied by all associated warranties, conditions, limitations, and notices. Reproduction of this information with alteration is an unfair and deceptive business practice. TI is not responsible or liable for such altered documentation.

Resale of TI products or services with statements different from or beyond the parameters stated by TI for that product or service voids all express and any implied warranties for the associated TI product or service and is an unfair and deceptive business practice. TI is not responsible or liable for any such statements.

Following are URLs where you can obtain information on other Texas Instruments products and application solutions:

<b>Products</b>		<b>Applications</b>	
Amplifiers	<a href="http://amplifier.ti.com">amplifier.ti.com</a>	Audio	<a href="http://www.ti.com/audio">www.ti.com/audio</a>
Data Converters	<a href="http://dataconverter.ti.com">dataconverter.ti.com</a>	Automotive	<a href="http://www.ti.com/automotive">www.ti.com/automotive</a>
DSP	<a href="http://dsp.ti.com">dsp.ti.com</a>	Broadband	<a href="http://www.ti.com/broadband">www.ti.com/broadband</a>
Interface	<a href="http://interface.ti.com">interface.ti.com</a>	Digital Control	<a href="http://www.ti.com/digitalcontrol">www.ti.com/digitalcontrol</a>
Logic	<a href="http://logic.ti.com">logic.ti.com</a>	Military	<a href="http://www.ti.com/military">www.ti.com/military</a>
Power Mgmt	<a href="http://power.ti.com">power.ti.com</a>	Optical Networking	<a href="http://www.ti.com/opticalnetwork">www.ti.com/opticalnetwork</a>
Microcontrollers	<a href="http://microcontroller.ti.com">microcontroller.ti.com</a>	Security	<a href="http://www.ti.com/security">www.ti.com/security</a>
Low Power Wireless	<a href="http://www.ti.com/lpw">www.ti.com/lpw</a>	Telephony	<a href="http://www.ti.com/telephony">www.ti.com/telephony</a>
		Video & Imaging	<a href="http://www.ti.com/video">www.ti.com/video</a>
		Wireless	<a href="http://www.ti.com/wireless">www.ti.com/wireless</a>

Mailing Address: Texas Instruments  
Post Office Box 655303 Dallas, Texas 75265