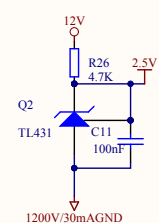
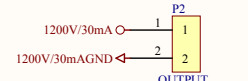
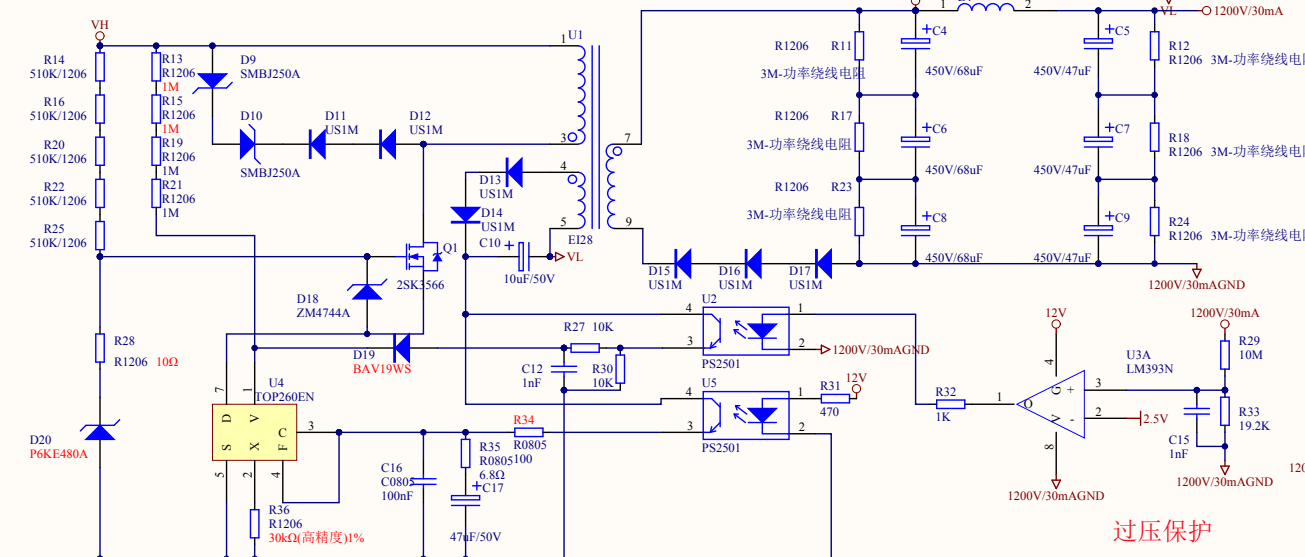
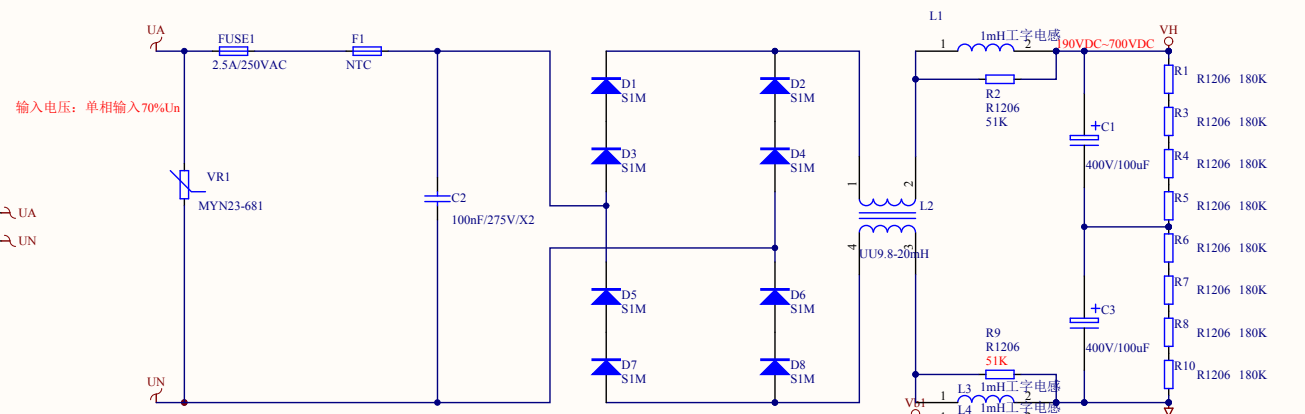
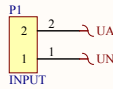
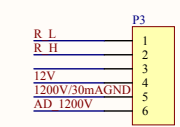


输入电压: 单相输入70%Un



过压保护

调节R35实现调压



VH C21 1200V/30mAGND
102 /440V Y1电容(脚间距10mm)

Title		
Size	Number	Revision
A3		
Date:	2015/9/3	Sheet of
File:	C:\Users\... \OUTPUT_DC_1200V.schdoc	Drawn By:

Comment	Description	Designator	Footprint	LibRef	Quantity
Component_1		C1, C3, C4, C5, C6, C7, C8, C9, C10, C13, C17, C18, C19, D9, D10, D18, D20, L1, L3, L4.	PCBComponent_1	Component_1	22
Component_1		C2	Capacitor	Component_1	1
Component_1		C11, C12, C14, C15, C20, C21, C22	PCBComponent_1 duplicate	Component_1	7
C0805		C16	PCBComponent_1 duplicate	Component_1	1
102 /440V Y电容 (脚间距10mm)	安规电容	C23	AXIAL-0.4	CAP NP	1
S1M		D1, D2, D3, D4, D5, D6, D7, D8	DIOM5327X24N100V	Component_1	8
US1M		D11, D12, D13, D14, D15, D16, D17	DIOM5327X24N100V	Component_1	7
BAV19WS		D19	DIOM5327X24N100V	Component_1	1
Component_1		F1, FUSE1	FUSE	Component_1	2
UU9.8		L2	PCBComponent_1	Component_1	1
INPUT		P1	PCBComponent_1	Component_1	1
OUTPUT		P2	PCBComponent_1	Component_1	1
OUTPUT/INPUT/B	Header, 6-Pin	P3	HDR1X6	Header 6	1
NMOS-2	N-Channel Power MOSFET	Q1	TO-220AB	NMOS-2	1
Component_1		Q2	SOT95P237X112-3N	Component_1	1
R1206		R1, R2, R3, R4, R5, R6, R7, R8, R9, R10, R11, R12, R13, R14, R15, R16, R17, R18, R19, R20, R21, R22, R23, R24, R25, R26, R28, R29, R32, R33, R36, R37, R38	RESC3216X06N	Component_1	41
R0805		R27, R30, R31, R34, R35	PCBComponent_1	Component_1	5
EI28		U1	EI28	Component_1	1
PS2501		U2, U5	SOP127P600-8N	Component_1	2
LM393N		U3	SOIC127P600X175-8N	LM393N	1
TOP260EN		U4	PCBComponent_1 duplicate1	Component_1	1
LM358		U6, U7	SOIC127P600X175	LM324	2