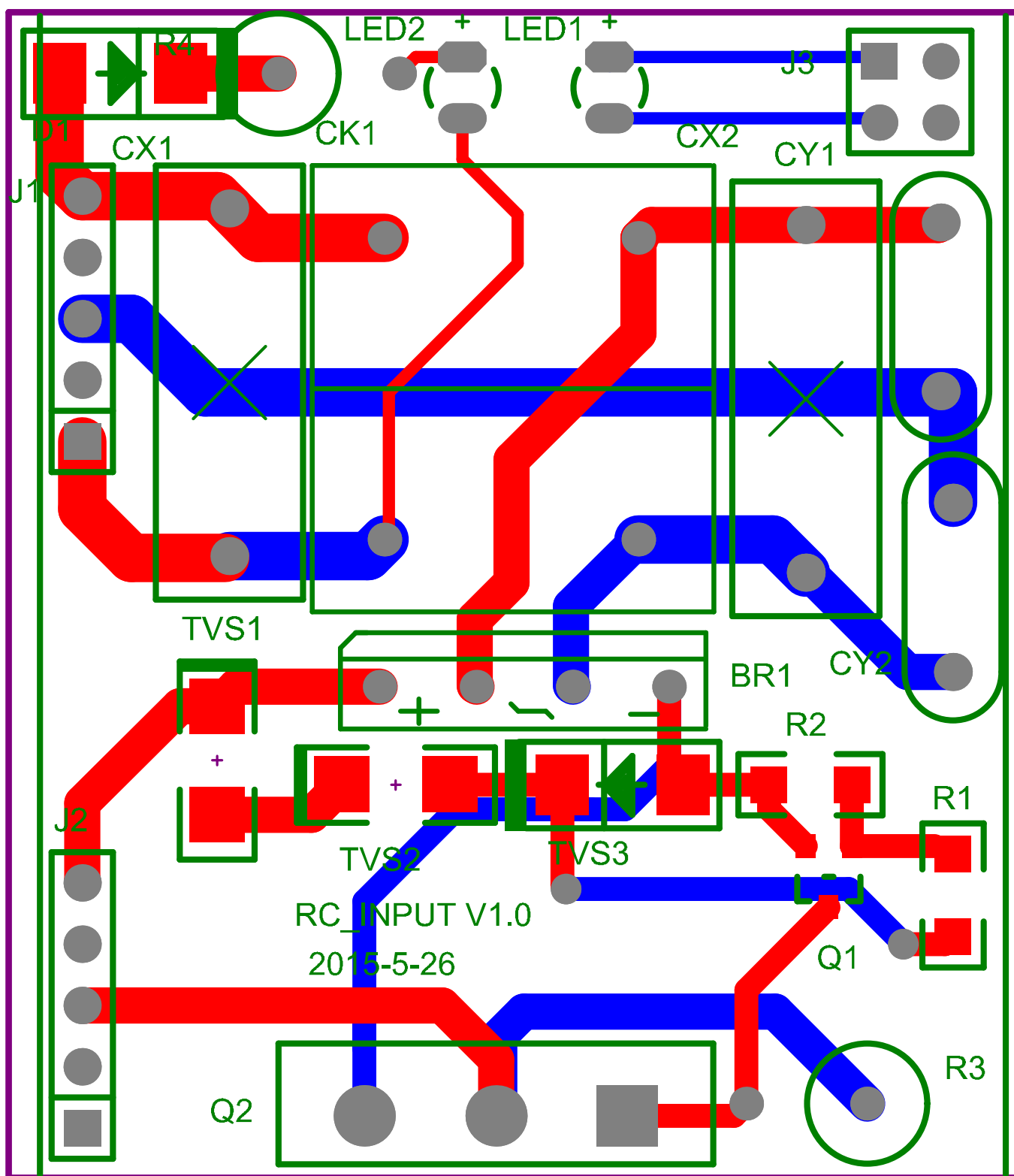


Title		
Size	Number	Revision
A4		
Date:	2015-5-26	Sheet of
File:	D:\NHB_PLAN\ARC_INPUT.SchDoc	Drawn By:



Classes	Comment	Description	Designator	Footprint	LibRef	PN	Quantity
	KBP206M	KBP06M	BR1	KBP206G	KBP206M		1
	1.25A_0.625_6mH	INDUCTOR_COMM ON	CK1	UU10.5	INDUCTOR_COMM ON_6MH_1.25A_5X 10		1
X2安规电容GS-L	104 275VAC	C-0.1uF/275Vac	CX1, CX2	CAP_X_18X6X12_0. 8_14.4	CAP_X_18X6X12_1 04	004283	2
插件电容	103/ 250VAC	CAP_222_250VAC	CY1, CY2	CAP-11X6X12-0.6- 6.0	CAP_222_250VAC	004313	2
贴片整流二极管	M7	M7 1000V 1A DO- 214AC/SMA	D1	DO-214AC	DIODE_M7_1000V_ 1A	002002	1
插针	2.54-2*2PIN	CON_2*2PIN-2.54	J3	CON_2*2PIN-2.54	CON_2*2PIN-2.54		1
绿色发光二极管	GREEN D3	GREEN D3 DIP LED	LED1	LED3	LED_D3_GREEN_D IP	003002	1
红色 L-314SRD	RED D3	红色发光二极管	LED2	LED3	LED_D3_RED_DIP	003001	1
贴片三极管	MMBT5551LT1	NPN Transistor 1B 2E 3C	Q1	SOT-23	TR_NPN_MMBT555 1LT1_SOT-23	002044	1
	BU508A	NPN Transistor 1B 2C 3E	Q2	SC-65	TR_NPN_BU508A_ SC-65		1
贴片电阻	102	R1206-1/4W-1K±5%	R1	R1206	RES_1206_102_5P	004508	1
贴片电阻	103	R1206-1/4W-10K± 5%	R2	R1206	RES_1206_103_5P	004509	1
贴片电阻	472	R1206-1/4W-4.7kΩ ±5%	R3	2W_RES	RES_1206_472_5P		1
	100K_2W	100K_2W	R4	2W_RES	100K_2W		1
贴片抑制二极管	P6SMB180A	TVS_P6SMB180A_ 180V_2.3A	TVS1	SMB	TVS_P6SMB180A_ 180V_2.3A	011075	1
贴片TVS管	P6SMB200A	TVS_P6SMB200A_ 200V_2.1A	TVS2	SMB	TVS_P6SMB200A_ 200V_2.1A	011073	1
贴片TVS管	SMAJ8.0A	TVS SMAJ8.0A 8V 3A	TVS3	DO-214AC	TVS_SMAJ6.0A_6V_	011074	1