

1

2

3

4

A

A

B

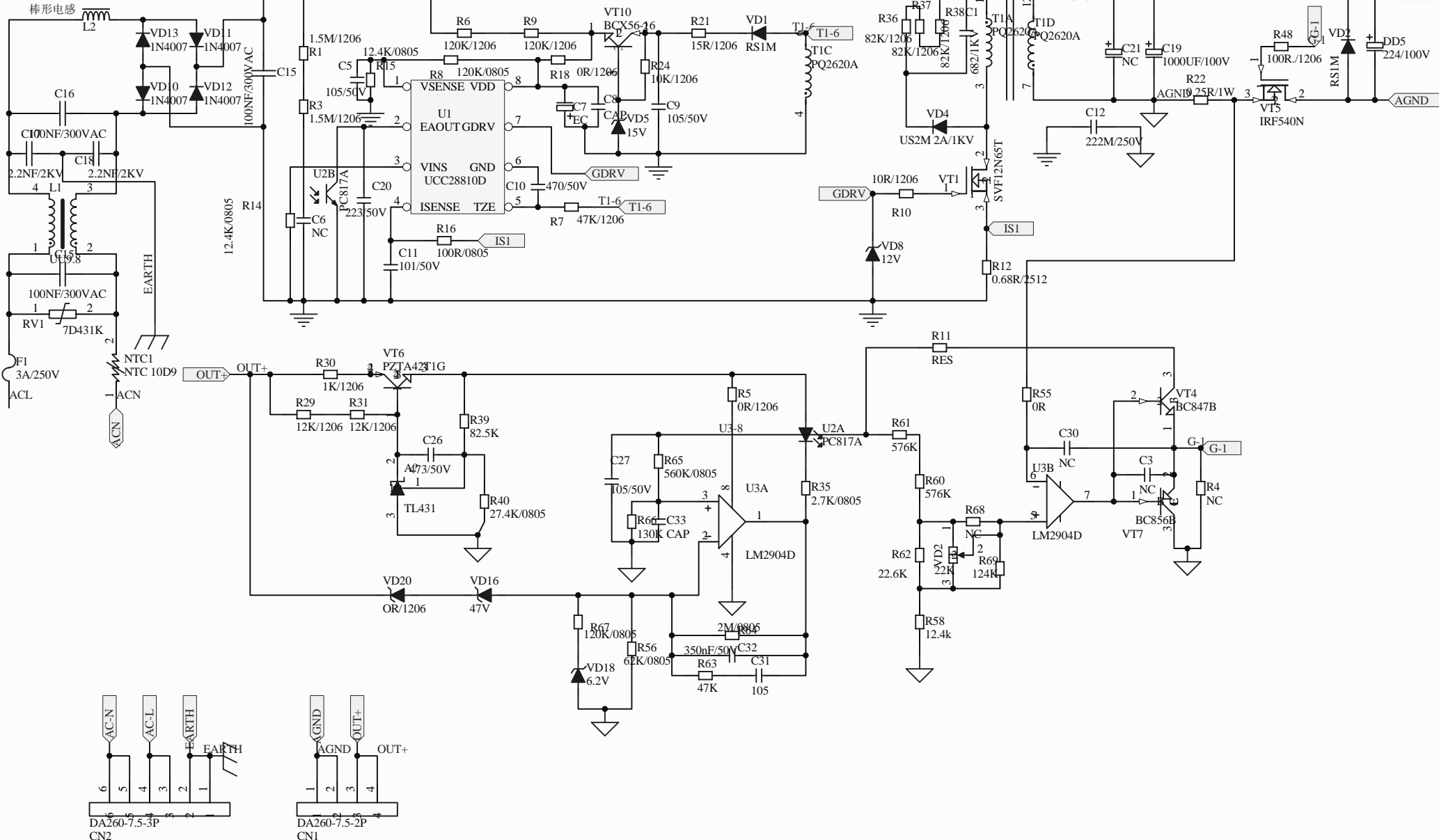
B

C

C

D

D



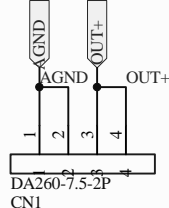
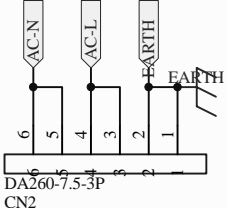
现用ER1004FCT替代

SFR10S40T2

28V-60V/恒流800MA

OUT+

AGND



1

2

3

4