



# SY5863

## Adaptive LED Current Filter For LED Lighting

*Preliminary Specification*

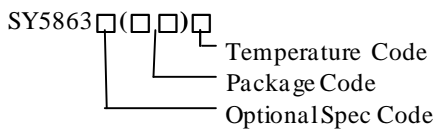
### General Description

The SY5863 is an adaptive linear current regulator to eliminate low frequency current ripple targeting at LED lighting applications.

It is applied as a current filter to the output of a LED driver, especially single stage LED driver. It adopts adaptive control scheme and no additional electrical design is needed.

Reliable open/short LED protection and over thermal protection are all provided.

### Ordering Information



Ordering Number	Package type	Note
SY5863JAC	TO252-3	----

### Features

- Current filter for single stage LED driver to eliminate current ripple
- Proprietary scheme for low power loss  $\leq 2.5\%$
- Adaptive for wide output speculation:  
Output voltage range from 20V to 60V  
Output current range from 0.2A to 1A
- Open LED Protection and Short LED protection
- Reliable short LED and Open LED protection
- Compact package: TO252-3

### Applications

- LED lighting

### Typical Applications

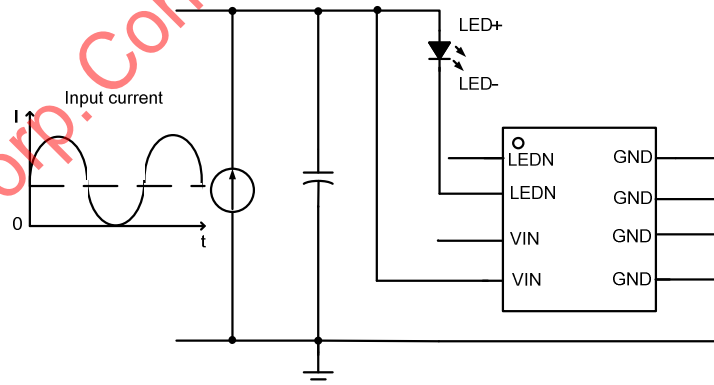
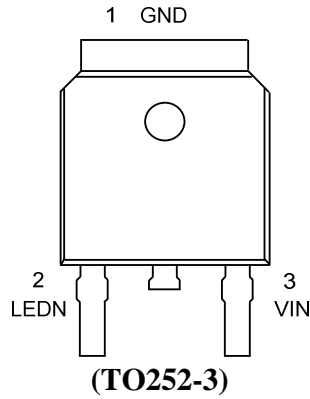


Figure 1. Schematic Diagram

**Pinout** (top view)



**Top Mark:**AYDxyz (device code: AYD, x=year code, y=week code, z=lot number code)

Pin Name	Pin Description
LEDN	Cathode of LED string.
VIN	Power Supply
GND	Ground pin

**Absolute Maximum Ratings** (Note 1)

VIN	-----	-0.3V~60V
LEDN	-----	-0.3~60V
Power Dissipation, @ T <sub>A</sub> = 25°C TO-252	-----	TBD
Package Thermal Resistance (Note 2)		
TO252-3, θ <sub>JA</sub>	-----	TBD
TO252-3, θ <sub>JC</sub>	-----	TBD
Junction Temperature Range	-----	-40°C to 150°C
Lead Temperature (Soldering, 10 sec.)	-----	260°C
Storage Temperature Range	-----	-65°C to 150°C

**Recommended Operating Conditions**

VIN, LEDN	-----	20V~60V
-----------	-------	---------

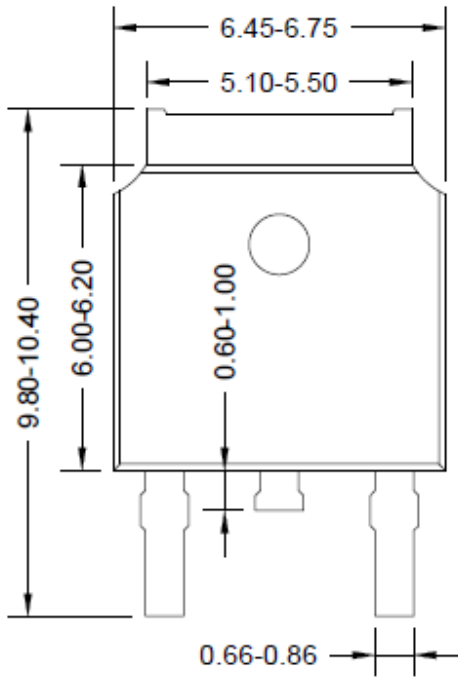
**Electrical Characteristics** $(V_{IN} = 12V, T_A = 25^{\circ}C \text{ unless otherwise specified})$ 

Parameter	Symbol	Test Conditions	Min	Typ	Max	Unit
Power Supply Section						
VIN turn-on threshold	$V_{VIN,ON}$			10		V
VIN turn-off threshold	$V_{VIN,OFF}$			7.8		V
VIN operating current	$I_{VIN}$			77		$\mu A$
Thermal Section						
Thermal Shutdown Temperature	$T_{SD1}$	$V_{LEDN} < 3V$		150		C
Thermal Shutdown Temperature	$T_{SD2}$	$V_{LEDN} > 12V$		100		C
Thermal Hysteresis Temperature	$T_{HYS}$			20		C

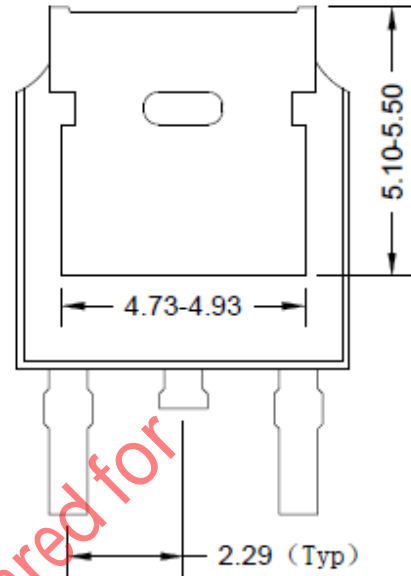
**Note 1:** Stresses beyond the “Absolute Maximum Ratings” may cause permanent damage to the device. These are stress ratings only. Functional operation of the device at these or any other conditions beyond those indicated in the operational sections of the specification is not implied. Exposure to absolute maximum rating conditions for extended periods may affect device reliability.

**Note 2:**  $\Theta_{JA}$  is measured in the natural convection at  $T_A = 25^{\circ}C$  on a low effective single layer thermal conductivity test board of JEDEC 51-3 thermal measurement standard. Test condition: Device mounted on 2” x 2” FR-4 substrate PCB, 2oz copper, with minimum recommended pad on top layer and thermal vias to bottom layer ground plane.

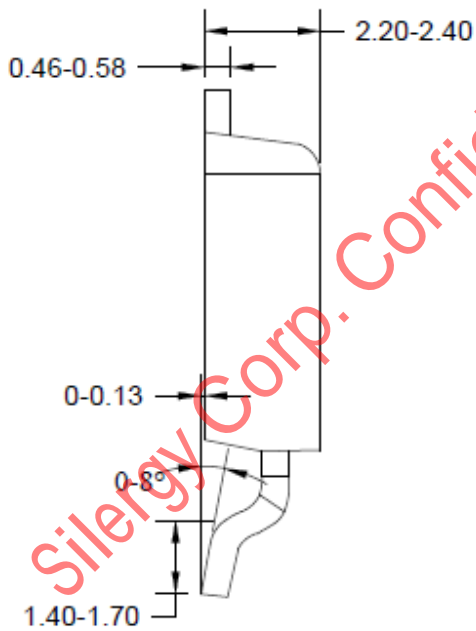
**TO252-3 Package Outline & PCB layout**



**Top view**



**Bottom view**



**Side view**

**Notes: All dimension in MM and exclude mold flash & metal burr**