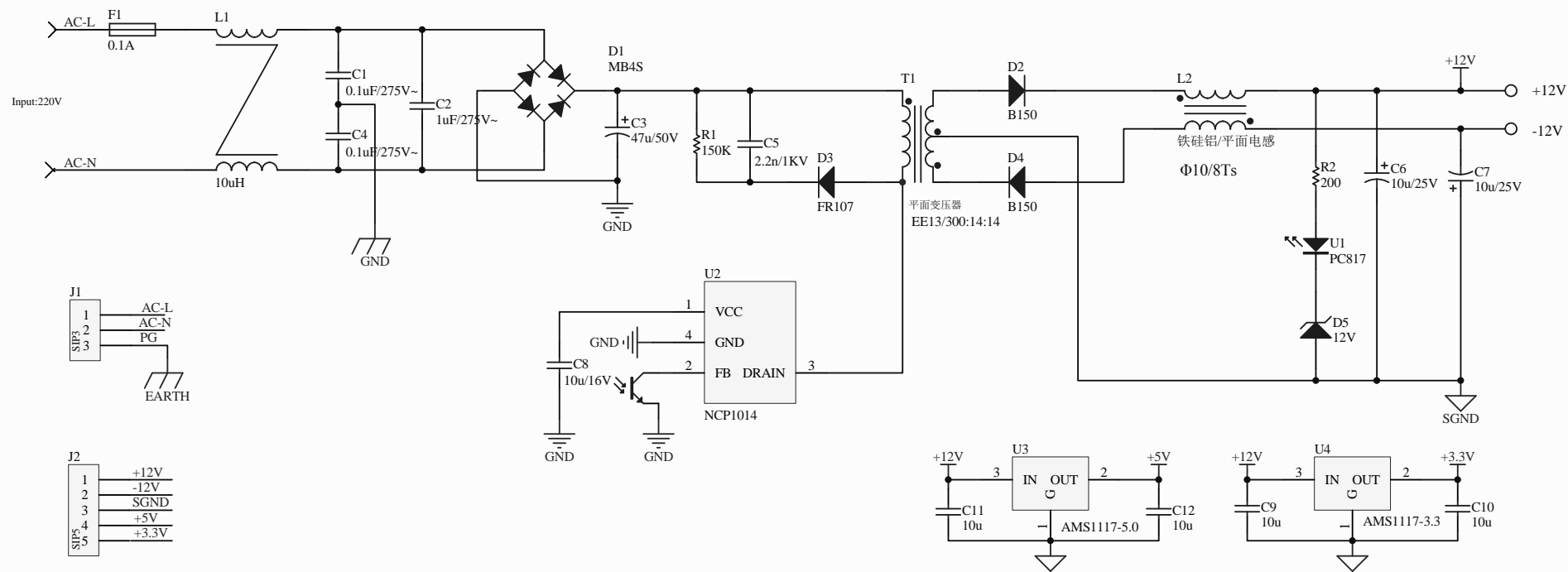


AD15-220S12 (多路) 隔离电源电气原理图



* For +12V/-12V 0.5A outputs.

* For +5V 0.3A outputs.

* For +3.3V 0.3A outputs.

Title		
Size	Number	Revision
A4		V1.0
Date:	2014/12/9	Sheet 1 of 1
File:	E:\年度课题\AD6-220S12\DD6-24S12.SCH	

Drawn By: cc