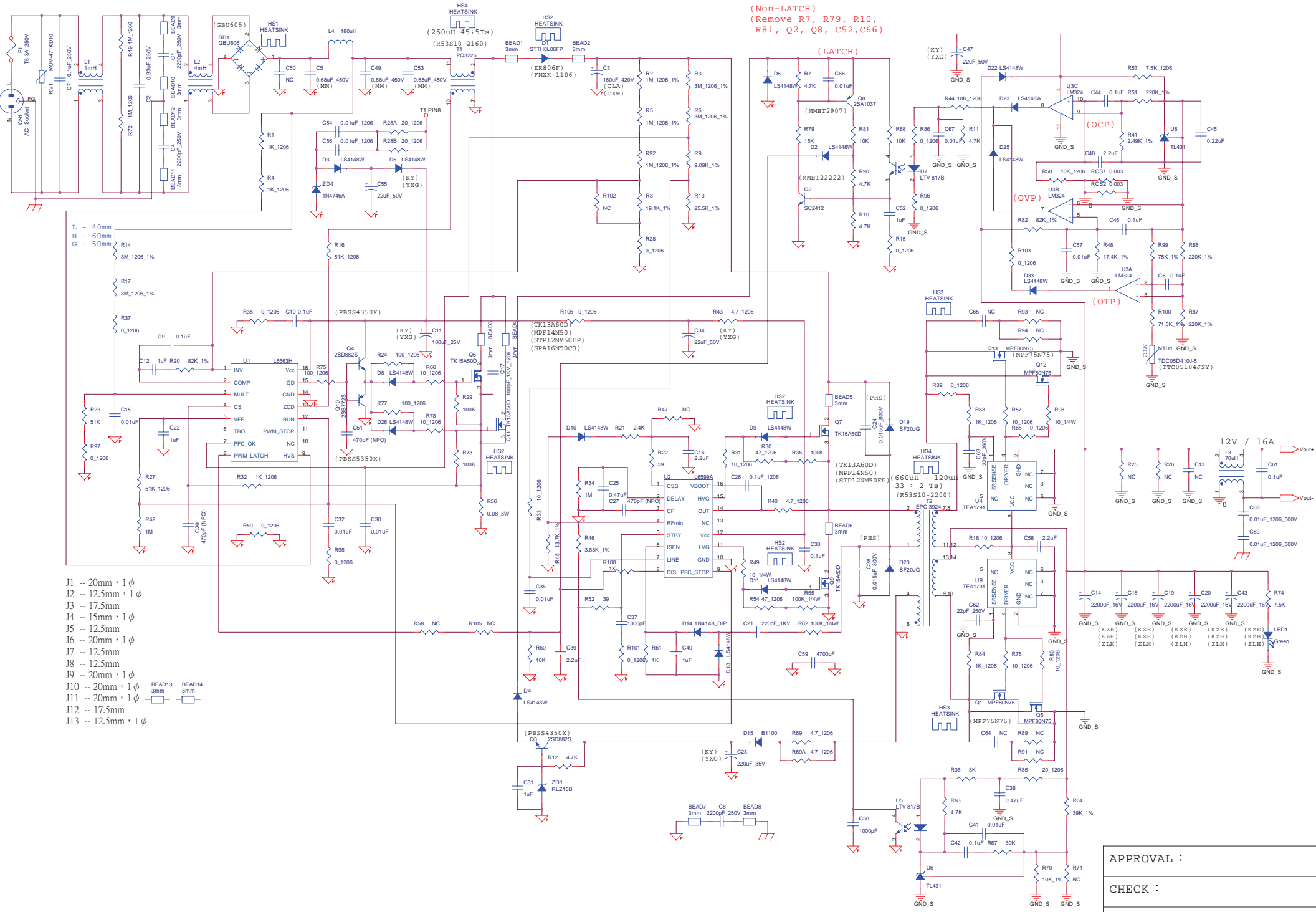


(Non-LATCH)
 (Remove R7, R79, R10,
 R81, Q2, Q8, C52, C66)



L - 40mm
 N - 60mm
 G - 50mm

- J1 -- 20mm · 1 φ
- J2 -- 12.5mm · 1 φ
- J3 -- 17.5mm
- J4 -- 15mm · 1 φ
- J5 -- 12.5mm
- J6 -- 20mm · 1 φ
- J7 -- 12.5mm
- J8 -- 12.5mm
- J9 -- 20mm · 1 φ
- J10 -- 20mm · 1 φ
- J11 -- 20mm · 1 φ
- J12 -- 17.5mm
- J13 -- 12.5mm · 1 φ



APPROVAL :	
CHECK :	
Title STD-12160 (12V / 16A · L6563H & L6599A)	
Size	Document Number STD-12160 (Latch)/Synchronisation
Date	Friday, April 16, 2010
Sheet	1 of 4
Rev	B