

道正工贸(香港)有限公司

Rightway Technology (HK) Limited

<http://www.rightwaychina.com>

产品选型指南



SR IC PWM IC Mosfet
DC-DC IC LED Driver IC
TVS ESD Diode

专业电子元器件代理分销商

公司简介

道正工贸是一家位于中国香港的代理分销电源管理 IC, 同步整流 IC, Mosfet 半导体, LD0, ESD 防静电二极管等电子零部件的专业公司。我们坚持用我们专业和高品质的服务为客户和供应商创造价值, 从而实现自身的发展!

我们的产品可应用于开关电源, 适配器, 车载产品, GPS, 液晶电视, MP3, 数码相机, 手机, 便携 DVD, 数码相框, 教育电子产品, 功放, 多媒体音箱, 网络设备, 平板电脑, 笔记本电脑, LCD 模组, 电路板卡, 安防监控产品, 小家电, 白色家电, 橱电产品等电子厂商

一、立业之本:

道正, 正道也! 道正深知, 讲求信誉不仅是道正对客户的要求, 对供应商的要求, 更是客户, 供应商对道正的要求! 因此, 守信经营乃本司立司之本。通过积极和上游供应商建立良好互动的合作关系, 拒绝一切假冒伪劣, 提供优质, 有质量保证, 具有优良性价比之产品服务客户, 通过为客户的发展尽心尽力, 从而期望在客户的发展中获得自身的发展, 实现客户、供应商, 道正的“三赢”!

二、经营领域:

经营品牌: SYNCPOWER, Alfa-mos, Silikron, Innuovo, Ncepower, V-chip, Toshiba, Rohm.

经营产品: 同步整流 IC, PWM IC, DC-DC IC, LED 驱动 IC, Mosfet, ESD TVS 二极管, 肖特基二极管

三、经营理念:

- 1、量不在多, 能满足最小订单就行
- 2、在满足客户大批量采购的同时, 专注服务中小批量客户, 为其提供打包式采购服务, 一揽子供货, 减少客户的工作量, 降低其采购作业成本和供应链管理成本, 同时帮助其缩短采购提前期, 获得品质优良, 价格适当之产品。
- 3、理解支持客户, 只有保障客户的产品品质和成本, 在供应源对客户提供支持, 促进客户的销售才能最终达到道正的销售增长。
- 4、灵活机动, 协同供应商, 杜绝假冒伪劣产品, 用正确的方法, 正品, 服务客户, 使客户、供应商, 道正迈上健康, 协作, 正确的发展道路!

联系方式:

道正工贸(香港)有限公司

TEL:00852-21381125,21381115

FAX:00852-2877 1220

ADD:香港湾仔轩尼诗道303号华创大厦13楼1301-1302

Email:qianhuaxia@gmail.com

深圳办事处:

TEL:86-755- 21508843,21507756,89806546

FAX:86-755-21507756,21508843-208

ADD: 中国广东省深圳市宝安区沙井宝安大道南环路口学府雅苑 A702

邮编:518000

EMAIL: sales@rightwaychina.com

选型索引

1.AC-DC/DC-DC 开关电源次级同步整流 IC (Synchronous Rectification).....	P3
2.AC-DC 开关电源初级 PWM IC.....	P3-4
3.中低压场效应管 Trench Mosfet	P4-15
4.高压场效应管 High voltager Dmos mosfet.....	P15-17
5.高压超结场效应管 High voltage Super -Junction mosfet	P17-19
6.TVS 防静电管(TVS ESD array diode).....	P19-22
7.LDO 和恒压恒流控制器(LDO Regulator and Constant Voltage and Constant Current Controller).....	P22-23
8.LED 驱动 IC (LED Driver).....	P23-24
9.DC-DC IC	P24-25
10.肖特基二极管 Schottky.....	P25-26
11.产品应用领域方案介绍.....	P26-33



- Computing**

 - Desktop PC
 - Notebook
 - Server
 - Print
 - Wireless
 - HD Device
 - Web Camera
- Consumer**

 - Digital Camera
 - Digital Video
 - MP3 Player
 - Set-Top Box
 - GPS
 - LCD TV
- Comunications**

 - Cellular Phone
 - Smart Phone PDA
 - Blue Tooth
- Network**

 - AP Router
- Lighting**

 - LED Driver
 - CCFL Illumination
- Power Supply**

 - PC Power
 - NB Adapter
 - Phone Charger
 - DVD Power

产品目录

1.同步整流控制器(Synchronous Rectification)

Part No.	Type	Iout	VSYNC(Max)	VDD(Max)	VOUT(Typ)	Frequency(Max)	Package
		A	V	V	V	KHZ	
SP6003	Flyback	1	7	7	5	350	SOP-8P
SP6003A	Flyback	1	7	7	5	650	SOP-8P
SP6013	Flyback	3	7	17	12	650	SOP-8P
SP6013A	Flyback	3	7	17	12	650	SOP-8P
SP6002	Forward	1	7	7	5	650	SOP-8P
SP6019	Forward	1	7	17	12	350	SOP-8P
SP6012	Forward	2	7	17	12	650	SOP-10P
SP6018	QR	1	7	17	12	350	SOP-8P
SP6017	LLC	1	7	17	12	350	SOP-8P
SP6028	QR	1	7	24	12	350	SOP-8P

2.PWM 控制器(PWM Controller)

PWM Controller							
Part No. Datasheet	Type	Driving Current	UVLO (On)	VCC (Max)	Fosc (Max)	Green Mode Frequency (Typ)	Package
		mA	V	V	KHZ	KHZ	
SP6850	Flyback	300	10	36	65	20	DIP-8P
							SOT-23-6L
SP6853	Flyback with OLP	300	10	36	68	22	DIP8P/SOP8
							SOT-23-6L

SP6855	Flyback with OLP/Jitter	300	10	36	65	22	DIP-8P
							SOT-23-6L
SP6878	QR	300	9	28	100	22	DIP-8P
							SOT-23-6L
SP6877	QR with PFC	600	9	36	100	24	DIP-8P
							SOT-23-6L

AC/DC 电源控制器 / QR 模式 PWM 控制器

AC/DC 电源控制器 / PSR 原边控制器						
Part No.	VDD max.(V)	CV Tolerance	CC Tolerance	Standby power (W)	Regulation Mode	Package
XN1267	30	±5%	< 100mA	<0.15	PSR-PFM	SOP8
XN1268	30	±5%	< 100mA	<0.05	PSR-PFM	SOP8

AC/DC 电源控制器 / PWM 控制器						
Part No.	VDD max.(V)	Pout max.(W)	Frequency (kHz)	Standby power (W)	Regulation Mode	Package
XN1048	30	30	65	<0.3	PWM	DIP8, SOP8,SOT23-6
XN1049	30	30	65	<0.3	PWM	DIP8, SOP8,SOT23-6
XN1042	23	150	65	<0.3	PWM	DIP8, SOP8
XN1043	23	150	65	<0.3	PWM	DIP8, SOP8

AC/DC 电源控制器 / PWM 控制器&开关						
Part No.	VDD max.(V)	Pout max.(W)	Frequency (kHz)	Standby power (W)	Regulation Mode	Package
XN1202	16	5	66	<0.3	PWM	DIP-8L
XN1203	16	12	66	<0.3	PWM	DIP-8L
XN1358	30	27	65	<0.3	PWM	8-Pin DIP8, Pb-free

RW-LP2705	<p>专为高性价比 AC/DC 转换器设计。集成了一个 700 V 的功率 MOSFET、振荡器、高压开关电源、电流限制及热关断电路。IC 产品采用开/关控制方式，提供一个灵活的设计方案，并且实现更低的系统成本及更大的输出功率范围。优化的高合理性的电路设计结合高性能价格比的 SOI 制作工艺。该电源控制器可工作于典型的反激式电路拓扑中，构成简洁的 AC/DC 转换器。实际只使用 4 个脚位就可工作,另外可适合做无变压器 AC-DC 非隔离电源使用。</p>	DIP8
-----------	--	------

3.场效应管 Trench Mosfet

Part No. Datasheet	TYPE	VDSS V	VGS V	VTH		IDS 25°C A	RDS(Max)				PD 25°C W	Package
				Min	Max		10V	4.5V	2.5V	1.8V		
				V	V		mΩ	mΩ	mΩ	mΩ		

SPP2305	P	15	12	0.35	0.85	3.5		70	85	105	1.25	SOT-23-3L
SPP2305D	P	15	12	0.35	0.85	3.5		70	85	105	1.25	SOT-23
SPP2305W	P	15	12	0.35	0.85	3.5		70	85	105	1.25	SOT-23
SPP2301	P	20	12	0.45	1.5	3		120	170		1.25	SOT-23-3L
SPP2301A	P	20	12	0.45	1.5	3		130	200		1.25	SOT-23-3L
SPP2301D	P	20	12	0.45	1.5	2.4		128	188		1.25	SOT-23
SPP2301W	P	20	12	0.45	1.5	2.4		128	188		1.25	SOT-23
SPP2309	P	20	12	0.35	0.8	2.5		350	480	750	1.25	SOT-23-3L
SPP2341	P	20	12	0.35	0.9	3.5		45	55	65	1.25	SOT-23-3L
SPP3413	P	20	12	0.35	0.8	3.5		95	120	145	1.25	SOT-23-3L
SPP2303	P	30	20	1	3	3	130	180			1.25	SOT-23-3L
SPP3401	P	30	12	0.4	1	4	55	65	75		1.25	SOT-23-3L
SPP3401B	P	30	12	0.4	1	4	70	90	115		1.25	SOT-23-3L
SPP3401D	P	30	12	0.4	1	4	70	90	115		1.25	SOT-23
SPP3401W	P	30	12	0.4	1	4	70	90	115		1.25	SOT-23
SPP3403	P	30	12	0.4	1	3.5	100	110	145	200	1.25	SOT-23-3L
SPP3407	P	30	20	1	3	3.6	60	80			1.25	SOT-23-3L
SPP3407B	P	30	20	0.8	2.5	4	70	95			1.25	SOT-23-3L
SPP3407D	P	30	20	0.8	2.5	4	70	95			1.25	SOT-23
SPP3407W	P	30	20	0.8	2.5	4	70	95			1.25	SOT-23
SPP2319	P	40	20	0.8	2.5	3.5	96	110			1.25	SOT-23-3L
SPN2302	N	20	12	0.45	1.2	3.2		80	95		1.25	SOT-23-3L
SPN2302A	N	20	12	0.4	1	4		75	95	135	1.25	SOT-23-3L
SPN2302D	N	20	12	0.45	1.2	3.2		97	113		1.25	SOT-23
SPN2302W	N	20	12	0.45	1.2	3.2		97	113		1.25	SOT-23
SPN2304	N	30	20	1	3	3.6	65	90			1.25	SOT-23-3L
SPN2308	N	20	12	0.35	1	2		380	450	800	1.25	SOT-23-3L
SPN2318	N	40	20	0.5	1	4	56	62	95		1.25	SOT-23-3L
SPN2342	N	20	12	0.4	1	4		35	40	48	1.25	SOT-23-3L
SPN3414	N	20	12	0.4	1	4		55	70	90	1.25	SOT-23-3L
SPN3400	N	30	12	0.8	1.6	4	38	42	55		1.25	SOT-23-3L
SPN3400W	N	30	12	0.8	1.6	4	38	42	55		1.25	SOT-23-3L
SPN3402	N	30	12	0.8	1.6	4	58	65	105		1.25	SOT-23-3L
SPN3402D	N	30	12	0.8	1.6	4	58	65	105		1.25	SOT-23
SPN3402W	N	30	12	0.8	1.6	4	58	65	105		1.25	SOT-23
SPN3406	N	30	20	1	3	4	40	50			1.25	SOT-23-3L
SPN7002L	N	50	20	0.8	1.5	0.8	3500	5500	7500		0.35	SOT-23
SPN7002	N	60	20	1	2.5	1	6000	7000			0.35	SOT-23
SPN7002K	N	60	20	1	2.5	0.64	2000	4000			0.35	SOT-23
SPN5001	N	600	20	2	5	0.03	300Ω				0.35	SOT-23

Trench Power MOSFET (SOT-523 / SC-89-3L)												
Part No. Datasheet	TYPE	VDSS	VGS	VTH		IDS 25°C	RDS(Max)			PD		Package
				Min	Max		10V	4.5V	2.5V	1.8V	25°C	
				V	V	V	V	A	mΩ	mΩ	mΩ	
SPP1013	P	20	12	0.35	0.8	0.45		520	700	950	0.27	SOT-523
SPN1012	N	20	12	0.35	1	0.65		380	450	800	0.27	SOT-523

Trench Power MOSFET (SOT-563 / SC-89-6L)												
Part No. Datasheet	TYPE	VDSS	VGS	VTH		IDS 25°C	RDS(Max)				PD 25°C	Package
				Min	Max		10V	4.5V	2.5V	1.8V		
				V	V	V	V	A	Ω	Ω	Ω	
SPC1016	P	20	12	0.35	0.8	0.45		0.52	0.7	0.95	0.3	SOT-563
	N	20	12	0.35	1	0.65		0.38	0.45	0.8		
SPP1023	P	20	12	0.35	0.8	0.45		0.52	0.7	0.95	0.3	SOT-563
	P	20	12	0.35	0.8	0.45		0.52	0.7	0.95		
SPN1024	N	20	12	0.35	1	0.65		0.38	0.45	0.80	0.35	SOT-563
	N	20	12	0.35	1	0.65		0.38	0.45	0.80		
SPN1026	N	60	20	1	2.5	0.32	5	5.5			0.3	SOT-563
	N	60	20	1	2.5	0.32	5	5.5				

Trench Power MOSFET(SOT-323 / SC-70-3L)												
Part No. Datasheet	TYPE	VDSS	VGS	VTH		IDS 25°C	RDS(Max)				PD 25°C	Package
				Min	Max		10V	4.5V	2.5V	1.8V		
				V	V	V	V	A	mΩ	mΩ	mΩ	
SPP1305	P	20	12	0.5	1.2	1		280	380	530	0.33	SOT-323
SPP1413	P	20	12	0.5	1.8	2.9	130	150			0.33	SOT-323
SPP7407	P	20	12	0.35	0.8	2.3		100	125	170	0.33	SOT-323
SPP1433	P	30	20	1	3	2.8	110	140			0.33	SOT-323
SPP7401	P	30	12	0.4	1	2.8	115	135	170	240	0.33	SOT-323
SPN1304	N	20	12	0.35	1	2		225	315	425	0.33	SOT-323
SPN1423	N	20	12	0.45	1.2	2.8		90	100		0.33	SOT-323
SPN7402	N	20	12	0.35	0.85	2.4		65	80	95	0.33	SOT-323
SPN1443	N	30	20	1	3	2.8	65	90			0.33	SOT-323
SPN7400	N	30	12	0.8	1.6	2.8	77	85	110		0.33	SOT-323

Trench Power MOSFET (SOT-353 / SC-70-5L)												
Part No. Datasheet	TYPE	VDSS	VGS	VTH		IDS 25°C	RDS(Max)				PD 25°C	Package
				Min	Max		10V	4.5V	2.5V	1.8V		
				V	V	V	V	A	mΩ	mΩ	mΩ	
SPP1413A	P	20	12	0.35	0.8	2.3		130	150	190	0.95	SOT-353

SPP1433A	P	30	12	0.4	1	2.3	120	135	165	195	0.95	SOT-353
SPN1423A	N	20	12	0.4	1	2.4		80	90	110	0.95	SOT-353
SPN1443A	N	30	12	0.8	1.6	2.4	95	105	135		0.95	SOT-353

Trench Power MOSFET (SOT-363 / SC-70-6L)												
Part No. Datasheet	TYPE	VDSS	VGS	VTH		IDS 25°C	RDS(Max)				PD 25°C	Package
				Min	Max		10V	4.5V	2.5V	1.8V		
				V	V	V	V	A	Ω	Ω	Ω	
SPP6308	P	20	12	0.35	0.8	1.0		0.52	0.70	0.95	0.35	SOT-363
	P	20	12	0.35	0.8	1.0		0.52	0.70	0.95		
SPC6332	P	20	12	0.35	0.8	1		0.52	0.7	0.95	0.35	SOT-363
	N	20	12	0.35	1.0	1.2		0.38	0.45	0.80		
SPN6335	N	20	12	0.35	1.0	1.2		0.38	0.45	0.80	0.35	SOT-363
	N	20	12	0.35	1.0	1.2		0.38	0.45	0.80		
SPN6435	N	40	20	1.0	1.3	0.3	4.0	5	10.0		0.35	SOT-363
	N	40	20	1.0	1.3	0.3	4.0	5	10.0			
SPN7002D	N	60	20	1.0	2.5	0.5	5.0	5.5			0.35	SOT-363
	N	60	20	1.0	2.5	0.5	5.0	5.5				
SPN7002T	N	60	20	1.0	2.5	0.64	2.0	4		0.35	0.35	SOT-363
	N	60	20	1.0	2.5	0.64	2.0	4		0.35		

Trench Power MOSFET (SOT-223)												
Part No. Datasheet	TYPE	VDSS	VGS	VTH		IDS 25°C	RDS(Max)				PD 25°C	Package
				Min	Max		10V	4.5V	2.5V	1.8V		
				V	V	V	V	A	mΩ	mΩ	mΩ	
SPN8457	N	30	20	1.0	3.0	5.8	58	98			2.8	SOT-223
SPN8439	N	30	12	0.8	1.6	5.8		42	54		2.8	SOT-223

Trench Power MOSFET (SOP-8P)												
Part No. Datasheet	TYP E	VDSS	VGS	VTH		IDS 25°C	RDS(Max)				PD 25°C	Package
				Min	Max		10V	4.5V	2.5V	1.8V		
				V	V	V	V	A	mΩ	mΩ	mΩ	
SPP4403	P	20	12	0.3	0.8	10		20	25	35	2.8	SOP-8P
SPP9434	P	20	12	0.35	0.9	7.6		40	52	62	2.8	SOP-8P
SPP9235	P	25	20	1	2	8	45	65			2.8	SOP-8P
SPP4435	P	30	20	1	3	10	25	35			2.8	SOP-8P
SPP4435B	P	30	20	0.7	1.6	10	24	30			2.8	SOP-8P
SPP4435W	P	30	20	0.7	1.6	10	24	30			2.8	SOP-8P
SPP9435	P	30	20	1	3	6.8	60	80			2.8	SOP-8P
SPP9435B	P	30	20	0.8	2.5	7.2	65	90			2.8	SOP-8P
SPP9435W	P	30	20	0.8	2.5	7.2	65	90			2.8	SOP-8P

SPP9437	P	30	12	0.4	1	6.8	45	50	65			2.8	SOP-8P
SPP9547	P	40	20	0.8	2.5	7.2	95	110				2.8	SOP-8P
SPP9527	P	40	20	0.8	2.5	10	38	46				2.8	SOP-8P
SPP9527W	P	40	20	0.8	2.5	10	38	46				2.8	SOP-8P
SPP9517	P	40	20	0.8	2.5	10	16	22				2.8	SOP-8P
SPP7465	P	60	20	0.8	2.5	8	90	100				2.8	SOP-8P
SPN4416	N	20	12	0.6	1.4	10		14	28			2.8	SOP-8P
SPN4416B	N	20	12	0.6	1.4	10		12	25			2.8	SOP-8P
SPN4426	N	20	12	0.4	1	7.4		28	38	42		2.8	SOP-8P
SPN4402	N	30	20	1	3	12	13	18				2.8	SOP-8P
SPN4402B	N	30	20	0.6	1.8	12	15	18				2.8	SOP-8P
SPN4402W	N	30	20	0.6	1.8	12	15	18				2.8	SOP-8P
SPN4412	N	30	20	1	3	6.8	28	36				2.8	SOP-8P
SPN4412B	N	30	20	0.6	1.8	7.2	35	42				2.8	SOP-8P
SPN4346	N	30	12	0.8	1.6	6.8	26	34	40			2.8	SOP-8P
SPN4392	N	30	20	1	2	13	8	12				2.8	SOP-8P
SPN4392W	N	30	20	1	2	13	8	12				2.8	SOP-8P
SPN4506	N	40	20	0.5	1	10	10	12	16			2.8	SOP-8P
SPN4526	N	40	20	0.5	1	10	25	30	36			2.8	SOP-8P
SPN4526W	N	40	20	0.5	1	10	25	30	36			2.8	SOP-8P
SPN4546	N	40	20	0.5	1	6	48	55	80			2.8	SOP-8P
SPN4436	N	60	20	0.8	2	8	38	44				2.8	SOP-8P
SPN4436W	N	60	20	0.8	2	8	38	44				2.8	SOP-8P
SPN4850	N	60	20	1	3	8	27	32				2.8	SOP-8P
SPN5003	N	500	20	1.75	3.25	0.025		250Ω	250Ω			1.3	SOP-8P
SPP4931	P	20	12	0.3	0.8	8.5		20	25	35		2.8	SOP-8P
	P	20	12	0.3	0.8	8.5		20	25	35			
SPP4931W	P	20	12	0.3	0.8	8.5		20	25	35		2.8	SOP-8P
	P	20	12	0.3	0.8	8.5		20	25	35			
SPP4953	P	30	20	1	3	6.2	60	90				2.8	SOP-8P
	P	30	20	1	3	6.2	60	90					
SPP4953B	P	30	20	0.8	2.5	6.2	65	95				2.8	SOP-8P
	P	30	20	0.8	2.5	6.2	65	95					
SPP4953W	P	30	20	0.8	2.5	6.2	65	95				2.8	SOP-8P
	P	30	20	0.8	2.5	6.2	65	95					
SPP4925	P	30	20	1	3	7.2	25	40				2.8	SOP-8P
	P	30	20	1	3	7.2	25	40					
SPP4925B	P	30	20	0.7	1.6	7.2	24	30				2.8	SOP-8P
	P	30	20	0.7	1.6	7.2	24	30					
SPP4925W	P	30	20	0.7	1.6	7.2	24	30				2.8	SOP-8P
	P	30	20	0.7	1.6	7.2	24	30					

SPN9926	N	20	12	0.4	1	5		50	65	90	2.8	SOP-8P
	N	20	12	0.4	1	5		50	65	90		
SPN9926B	N	20	12	0.5	1	6.8		33	38		2.8	SOP-8P
	N	20	12	0.5	1	6.8		33	38			
SPN9926W	N	20	12	0.4	1	5		50	65	90	2.8	SOP-8P
	N	20	12	0.4	1	5		50	65	90		
SPN9928W	N	20	12	0.5	1	6.8		25	32		2.8	SOP-8P
	N	20	12	0.5	1	6.8		25	32			
SPN4920	N	30	20	1.0	3.0	6.8	28	36			2.8	SOP-8P
	N	30	20	1.0	3.0	6.8	28	36				
SPN4920W	N	30	20	1.0	3.0	6.8	28	36			2.8	SOP-8P
	N	30	20	1.0	3.0	6.8	28	36				
SPN4972	N	30	20	1.0	3.0	8.5	14	18			2.8	SOP-8P
	N	30	20	1.0	3.0	8.5	14	18				
SPN4972B	N	30	20	0.6	1.8	8.5	17	20			2.5	SOP-8P
	N	30	20	0.6	1.8	8.5	17	20				
SPN4906	N	40	20	0.5	1	6	45	54	83		2.8	SOP-8P
	N	40	20	0.5	1	6	45	54	83			
SPN4910	N	40	20	0.5	1	10	20	24	30		2.8	SOP-8P
	N	40	20	0.5	1	10	20	24	30			
SPN4900	N	60	20	0.5	1.5	4.2	118	125			2.8	SOP-8P
	N	60	20	0.5	1.5	4.2	118	125				
SPN4946	N	60	20	0.8	2	7	44	50			2.8	SOP-8P
	N	60	20	0.8	2	7	44	50				
SPN4946W	N	60	20	0.8	2	8	42	48			2.8	SOP-8P
	N	60	20	0.8	2	8	42	48				
SPC4516	N	30	20	1	3	8.5	14	20			2.8	SOP-8P
	P	30	20	1	3	7.2	25	40				
SPC4516B	N	30	20	0.6	1.8	8.5	17	20			2.8	SOP-8P
	P	30	20	0.7	1.6	8.2	24	30				
SPC4533	N	30	20	1	3	8.4	18	36			2.8	SOP-8P
	P	30	20	1	3	6	36	65				
SPC4539	N	30	20	1	3	6.8	34	46			2.8	SOP-8P
	P	30	20	1	3	6.2	60	80				
SPC4539B	N	30	20	0.6	1.8	7.2	35	46			2.8	SOP-8P
	P	30	20	0.8	2.5	6.8	70	100				
SPC4539W	N	30	20	0.6	1.8	7.2	35	46			2.8	SOP-8P
	P	30	20	0.8	2.5	6.8	70	100				
SPC4527	N	40	20	0.5	1	10	25	30	36		2.8	SOP-8P
	P	40	20	0.8	2.5	10	38	46				
SPC4527W	N	40	20	0.5	1	10	25	30	36		2.8	SOP-8P
	P	40	20	0.8	2.5	10	38	46				

SPC4567	N	40	20	0.5	1	6	53	63	78	2.8	SOP-8P
	P	40	20	0.8	2.5	7.2	95	110			
SPC4567W	N	40	20	0.5	1	6	53	63	78	2.8	SOP-8P
	P	40	20	0.8	2.5	7.2	95	110			
SPC1810	N	100	20	1	3	8	160			2.8	SOP-8P
	P	100	20	1	3	8	160	200			

Trench Power MOSFET (TSSOP-8P)

Part No. Datasheet	TYPE	VDSS	VGS	VTH		IDS 25°C	RDS(Max)				PD 25°C	Package
				Min	Max		10V	4.5V	2.5V	1.8V		
				V	V		A	mΩ	mΩ	mΩ		
SPP8803	P	20	12	0.3	0.8	7		20	25	35	1.5	TSSOP-8 P
	P	20	12	0.3	0.8	7		20	25	35		
SPN8205W	N	20	8	0.25	1.0	5.0		24	34		1.5	TSSOP-8 P
	N	20	8	0.25	1.0	5.0		24	34			
SPN8822	N	20	12	0.4	1.0	8.0		24	32	42	1.5	TSSOP-8 P
	N	20	12	0.4	1.0	8.0		24	32	42		
SPN8822A	N	20	12	0.4	1.0	7.2		30	42		1.5	TSSOP-8 P
	N	20	12	0.4	1.0	7.2		30	42			

Trench Power MOSFET (TO-251/TO-252-2L)

Part No. Datasheet	TYPE	VDSS	VGS	VTH		IDS 25°C	RDS(Max)				PD 25°C	Package
				Min	Max		10V	4.5V	2.5V	1.8V		
				V	V		A	mΩ	mΩ	mΩ		
SPP2095	P	20	12	0.32	0.8	12		65	85	105	40	TO-252-2L
SPP3052	P	30	20	1	3	25	50	85			40	TO-252-2L
SPP3095	P	30	20	1	3	12	100	150			40	TO-252-2L
SPP5413	P	40	20	0.8	2.5	18	26	36			40	TO-252-2L
SPN2038	N	20	16	0.5	1.5	38		14	28		31	TO-252-2L
SPN2054	N	20	12	0.36	1.0	12	40			60	40	TO-252-2L
SPN3055	N	30	20	1.0	3.0	12	60	80			40	TO-252-2L
SPN8878	N	30	20	1	3	25	12	17			40	TO-252-2L
SPN8878B	N	30	20	1	3	20	12	15			40	TO-252-2L
SPN8882	N	30	20	0.8	2.4	60	10	14			40	TO-251 TO-252-2L
SPN5454	N	40	20	0.5	1	20	18	20	28		40	TO-252-2L
SPN9971	N	60	20	0.8	2.0	25	40	45			40	TO-251 TO-252-2L
SPN9977	N	60	20	0.5	1.5	16	115	110			40	TO-251 TO-252-2L
SPN09T10	N	100	20	1.0	3.0	14	160				40	TO-252-2L
SPN11T10	N	100	20	1.0	3.0	16	120	200			40	TO-252-2L

SPN30T10	N	100	20	1.0	3.0	35	50	40			40	TO-252-2L
----------	---	-----	----	-----	-----	----	----	----	--	--	----	-----------

Trench Power MOSFET (TO-252-5L)												
Part No. Datasheet	TYPE	VDSS V	VGS V	VTH		IDS 25°C A	RDS(Max)				PD 25°C W	Package
				Min	Max		10V	6.0V	4.5V	2.5V		
				V	V	V	V	mΩ	mΩ	mΩ	mΩ	
SPC5604	N	40	20	0.5	1.0	12	24		28		55	TO-252-5L
	P	40	20	0.8	2.5	12	32		42		55	

Trench Power MOSFET (TO-220)												
Part No. Datasheet	TYPE	VDSS V	VGS V	VTH		IDS 25°C A	RDS(Max)				PD 25°C W	Package
				Min	Max		10V	6.0V	4.5V	2.5V		
				V	V	V	V	mΩ	mΩ	mΩ	mΩ	
SPN6098	N	60	20	1	2.5	60	12		15		62	TO-220-3L
SPN6099	N	60	20	1	2.5	80	4	4.2	4.4		62	TO-220-3L
SPN7580	N	75	20	2	4	80	4.2		6		62	TO-220-3L
SPN9507	N	75	20	2	4.0	80	5				62	TO-220-3L
SPN3632	N	100	20	1.0	3.0	80	8.5	9.8	10		62	TO-220-3L
SPN7510	N	100	20	1.0	3.0	72	16		21		62	TO-220-3L

Trench Power MOSFET (SOT-23-6L)												
Part No. Datasheet	TYPE	VDSS V	VGS V	VTH		IDS 25°C A	RDS(Max)				PD 25°C W	Package
				Min	Max		10V	4.5V	2.5V	1.8V		
				V	V	V	V	mΩ	mΩ	mΩ	mΩ	
SPP6506	P	30	20	1	3	2.8	105	135			1.15	SOT-23-6L
	P	30	20	1	3	2.8	105	135				
SPP6507	P	30	12	0.4	1	2.8		115	150	215	1.15	SOT-23-6L
	P	30	12	0.4	1	2.8		115	150	215		
SPN2622	N	20	12	0.4	1	4		80	100		1.15	SOT-23-6L
	N	20	12	0.4	1	4		80	100			
SPN6561	N	30	20	1	3	2.8	60	80			1.15	SOT-23-6L
	N	30	20	1	3	2.8	60	80				
SPN6562	N	30	12	0.8	1.6	2.8		75	105		1.15	SOT-23-6L
	N	30	12	0.8	1.6	2.8		75	105			
SPN5002	N	500	20	1.75	3.25	0.025		250Ω	250Ω		1.3	SOT-23-6L

Trench Power MOSFET (TSOP-6P)												
Part No. Datasheet	TYPE	VDSS V	VGS V	VTH		IDS 25°C A	RDS(Max)				PD 25°C W	Package
				Min	Max		10V	4.5V	2.5V	1.8V		
				V	V	V	V	mΩ	mΩ	mΩ	mΩ	
SPP3467	P	20	12	0.35	0.8	5.2		90	110	140	1.15	TSOP-6P
SPP3481	P	30	20	1	3	5.2	55	75			1.15	TSOP-6P
SPP3481B	P	30	20	0.8	2.5	5.2	60	88			1.15	TSOP-6P
SPN3446	N	20	12	0.4	1	5.3		48	65	90	1.15	TSOP-6P

SPN3456	N	30	20	1.0	3.0	6.0	40	50			1.15	TSOP-6P
SPN3458	N	60	20	0.5	1.5	5.0	115	125			1.15	TSOP-6P
SPC6601	P	30	12	0.4	1.0	2.6	105	120	150		1.15	TSOP-6P
	N	30	12	0.8	1.6	2.5	68	78	108			
SPC6602	P	30	20	1.0	3.0	2.6	105	135			1.15	TSOP-6P
	N	30	20	1.0	3.0	2.5	60	80				
SPC6604	P	20	12	0.35	0.8	3.4		85	110	130	1.15	TSOP-6P
	N	20	12	0.4	1.0	4.0		50	60	75		

Trench Power MOSFET + Schottky (TSOP-6P)												
Part No. Datasheet	TYPE	VDSS (VKA)	VGS	VTH		IDS 25°C	VF 0.5A	RDS(Max)			PD 25°C	Package
				Min	Max			10V	4.5V	2.5V		
				V	V	V	V	A	V	mΩ	mΩ	
SPC6801	P	30	12	0.4	1.0	2.6		105	120	150	1.15	TSOP-6P
	Schottky	20				1.0	0.5					

Trench Power MOSFET + Schottky (DFN3X2-8L)												
Part No. Datasheet	TYPE	VDSS	VGS	VTH		IDS 25°C	VF 1.0A	RDS(Max)			PD 25°C	Package
				Min	Max			4.5V	2.5V	1.8V		
				V	V	V	V	A	V	mΩ	mΩ	
SPC4703	P	20	12	0.35	0.8	3.5		90	120	155	1.2	DFN3X2-8L

Part No.	Type	VDSS	VGS	VTH		IDS 25°C	RDS(Max)				PD 25°C	Package
				Min	Max		10V	4.5V	2.5V	1.8V		
				V	V	V	V	A	mΩ	mΩ	mΩ	
AFP2301A	P	20	12	0.5	1	2.6	-	120	170	-	1.25	SOT-23
AFP2301AS	P	20	12	0.5	1	2.4	-	125	170	-	1.25	SOT-23
AFP2303A	P	30	20	1	2.5	2.8	145	180	-	-	1.25	SOT-23
AFP2303A	P	30	20	1	2.5	2.8	145	180	-	-	1.25	SOT-23
AFP2307A	P	20	12	0.4	1	1.8	-	600	840	1440	1.25	SOT-23
AFP2311A	P	20	12	0.4	0.8	2.8	-	62	78	102	1.25	SOT-23
AFP2323A	P	30	20	1.6	2.6	2.8	155	240	-	-	1.25	SOT-23
AFP2367AS	P	20	12	0.5	1	2.8	-	80	98	130	1.25	SOT-23
AFP3401AS	P	30	12	0.6	1.1	2.8	70	80	105	-	1.25	SOT-23
AFP3403A	P	30	12	0.6	1.4	2.6	140	170	240	-	1.25	SOT-23
AFP3407AS	P	30	20	1	2.5	2.8	77	102	-	-	1.25	SOT-23
AFP3413A	P	20	12	0.3	0.7	2.6	-	110	150	205	1.25	SOT-23
AFN2302AS	N	20	12	0.5	1	2.4	-	90	110	-	1.25	SOT-23
AFN2304A	N	30	20	1	2.5	2.6	82	108	-	-	1.25	SOT-23
AFN2304AS	N	30	20	1	2	2.4	65	90	-	-	1.25	SOT-23

AFN2306A	N	20	12	0.4	1	1.8	-	280	340	750	1.25	SOT-23
AFN2306AE	N	20	12	0.3	0.8	1.8	-	280	340	750	1.25	SOT-23
AFN2312A	N	20	12	0.4	0.8	2.8	-	45	48	64	1.25	SOT-23
AFN2318A	N	40	20	1	2	2.6	68	88	-	-	1.25	SOT-23
AFN2336A	N	30	12	0.5	1	1.8	-	380	480	900	1.25	SOT-23
AFN3400A	N	30	20	0.4	1	2.4	54	58	65	-	1.25	SOT-23
AFN3400AS	N	30	12	0.6	1.1	2.8	50	55	75	-	1.25	SOT-23
AFN3402A	N	30	12	0.3	1.0	2.4	82	87	110	-	1.25	SOT-23
AFN3406A	N	30	20	1	2	2.4	48	58	-	-	1.25	SOT-23
AFN3406AS	N	30	20	1.3	2.1	2.8	45	55	-	-	1.25	SOT-23
AFN3414A	N	20	12	0.3	0.8	2.4	-	70	80	100	1.25	SOT-23
AFN3424A	N	30	12	0.8	1.8	2.4	85	95	265	-	1.25	SOT-23

Package : TO-252-2L												
Part No.	Type	VDSS	VGS	VTH		IDS 25°C	RDS(Max)				PD 25°C	Package
				Min	Max		10V	4.5V	2.5V	1.8V		
		V	V	V	V	A	mΩ	mΩ	mΩ	mΩ	W	
AFP3050S	P	30	12	0.6	1.1	15	60	72	108	-	40	TO-252-2L
AFP3485	P	30	20	0.5	1.8	20	28	37	-	-	40	TO-252-2L
AFP3804	P	40	20	1	3	22	38	54	-	-	40	TO-252-2L
AFP9576	P	60	20	0.8	2.5	14	108	120	-	-	40	TO-252-2L
AFN2014	N	20	12	0.4	1	25	-	14	17	21	40	TO-252-2L
AFN2604	N	40	20	1.5	3	25	20	40	-	-	40	TO-252-2L
AFN3025S	N	30	12	0.6	1.1	22	32	36	42	-	40	TO-252-2L
AFN3030	N	30	20	1	2	22	30	40	-	-	40	TO-252-2L
AFN3484	N	30	20	0.5	1.8	25	15	18	-	-	40	TO-252-2L
AFN4804	N	40	20	1	2	18	48	70	-	-	40	TO-252-2L
AFN9971	N	60	20	1	2.5	25	42	50	-	-	40	TO-252-2L

Product Major Information					Vgs(V)	BV	VTH	Ron(10V) (mΩ)		Ron(4.5V) (mΩ)		Ron(2.5V) (mΩ)	
N/P Voltage	Product Name	Assembly	ID(A) 25°C	PW (W) 25°C		Min	Typ	Typ	Max	Typ	Max	Typ	Max
N-30V	NCE2304	SOT-23	3.6	1.7	20	30	1.5	47	60	63	75		
	NCE3010S	SOP-8	10	2.5	20	30	1.5	7.5	13.5	11	20		
	NCE3050I	TO-251	50	60	20	30	1.5	7	9		15*		
	NCE3050K	TO-252	50	60	20	30	1.5	7	9		15*		
	NCE3080I	TO-251	80	83	20	30	1.5	5	7		10*		
	NCE3080K	TO-252	80	83	20	30	1.5	5	7		10*		
	NCE30H21	TO-220	210	310	20	30	2.5	2	2.5				
N-30V	NCE3011E	SOP-8	11	2.5	20	30	1.5			7	10	10	14

(ESD)													
	NCE8601B	TSSOP-8	8	1.5	12	30	0.7			15	21	18	26
N-40V	NCE40H19	TO-220	190	220	20	40	3	2.4	3.5				
	NCE40H21	TO-220	210	330	20	40	2.7		3.2				
N-50V	BSS138	SOT-23	0.22	0.35	20	50	1.2	1Ω	2Ω	1.2Ω*	3Ω*		
N-50V (ESD)	BSS138K	SOT-23	0.22	0.35	20	50	1.1	1Ω	2Ω	1.3Ω*	3Ω*		
N-55V	NCE5549	TO-220	49	100	20	55	3	8.4	11				
	NCE55H11	TO-220	110	180	20	55	3	4.5	6				
	NCE55H12	TO-220	120	200	20	55	3	4.1	5.5				
N-60V	2N7002	SOT-23	0.115	0.2	20	60	1.7	1.1Ω	2Ω	1.3Ω*	3Ω*		
	2N7002A	SOT-23	0.115	0.2	20	60	1.7	2.1Ω	3Ω	2.3Ω*	3.5Ω*		
N-60V (ESD)	2N7002K	SOT-23	0.3	0.35	20	60	1.7	1Ω	2Ω	1.3Ω*	3Ω*		
N-60V	NCE6075	TO-220	75	110	20	60	3	8.6	11.5				
	NCE6075K	TO-252	75	100	20	60	3	8.6	11.5				
	NCE60H15	TO-220	150	220	20	60	3	3.6	4.5				
	NCE60H21	TO-220	210	330	20	60	3		4				
N-70V	NCE7075	TO-220	75	110	20	70	3	9.5	12				
	NCE7075K	TO-252	75	100	20	70	3	9.5	12				
	NCE7080	TO-220	78	150	20	70	3	6.3	8				
N-75V	NCE7560K	TO-252	60	140	20	75	3	6.8	8.5				
	NCE7578	TO-220	78	160	20	75	2.85	7	8.5				
	NCE7580	TO-220	80	170	25	75	2.85	6.5	8				
	NCE7580D	TO-263	80	170	25	75	2.85	6.5	8				
	NCE7580T	TO-247	80	180	25	75	2.85	6.5	8				
	NCE75H14	TO-220	140	260	20	75	3	5.1	5.8				
	NCE75H21T	TO-247	210	330	20	75	3	2.9	4				
	NCE75H21	TO-220	210	310	20	75	3	3.5	4.5				
	NCE75H26T	TO-247	260	385	20	75	3	2.3	3				
	NCE75H35T	TO-247	350	460	20	75	3	1.9	2.6				
N-80V	NCE8098	TO-220	98	180	20	80	3	6.5	8				
	NCE80H11	TO-220	105	200	20	80	3	6.3	8				
	NCE80H12	TO-220	120	220	20	80	3	4.9	6				
N-85V	NCE8580	TO-220	80	170	20	85	2.85	6.8	8.5				
	NCE85H21T	TO-247	210	330	20	85	3	3.2	4.5				
	NCE85H21	TO-220	190	310	20	85	3	3.7	5				
N-100V	NCE0128D	TO-263	28	150	20	100	3.2	14	18				
	NCE0140K	TO-252	40	140	20	100	3	14	17				

	NCE0157A	TO-220	57	160	20	100	3	14	17				
	NCE0157	TO-220	57	170	20	100	3	12	16				
	NCE0157T	TO-247	57	180	20	100	3	11.7	16				
	NCE0159	TO-220	59	180	20	100	3	11	15				
	NCE0170	TO-220	70	190	20	100	3	10.5	14				
	NCE01H10	TO-220	100	200	20	100	3	9.9	13				
	NCE01H11	TO-220	110	220	20	100	3	7.8	9				
	NCE0160S	PowerPAK SO-8	60	105	20	100	3.7	12.6	16				
	NCE01H14	TO-220	140	330	20	100	3.2	5.5	6.8				
	NCE01H14T	TO-247	140	340	20	100	3.2	5.2	6.8				
	NCE01H21T	TO-247	210	385	20	100	3	3.3	4.3				
	NCE01H29T	TO-247	290	460	20	100	3	2.7	3.5				
N-150V	NCE1505S	SOP8	5.2	3.5	20	150	3.2	31	44				
	NCE1540k	TO-252	40	140	20	150	3.2	35	45				
	NCE1550	TO-220	50	220	20	150	3.2	19.5	23				
	NCE15H10	TO-220	100	370	20	150	3.2	9.8	12				
	NCE1579	TO-220	79	310	20	150	3.1	16	19				
	NCE15H15T	TO-247	150	460	20	150	3	6.6	8				
N-200V	NCE0203S	SOP-8	3.9	3	20	200	3	56	79				
	NCE0218	TO-220	18	150	20	200	3	64	80				
	NCE0240	TO-220	40	220	20	200	3.2	36.4	41				
	NCE0218K	TO-252	18	140	20	200	1.5	65	80				
	NCE0224K	TO-252	24	150	20	200	3.2	63	80				

4.Dmos high Voltage Mosfet

Product Part Name	BVDSS	RDS (ON)	ID	Qg	package
	[V]	[OHM]	[A]	[nC]	
TSP630M	200	0.4	10	20	TO-220F
TSP630M	200	0.4	10	20	TO-220
TSP640M	200	0.18	18	40	TO-220F
TSP640M	200	0.18	18	40	TO-220
TSP634M	250	0.43	8	26	TO-220F
TSP634M	250	0.43	8	26	TO-220
TSP644M	250	0.28	15.6	40	TO-220F
TSP644M	250	0.28	15.6	40	TO-220
TSP14N30M	300	0.29	14		TO-220

TSP730M	400	1	6	18	T0-220
TSP740M	400	0.53	10.5	30	T0-220
TSD5N50M	500	1.5	4	20	T0-220
TSF830M	500	1.5	5	20	T0-220F
TSP830M	500	1.5	5	20	T0-220
TSB840M	500	0.8	9	30	T0-220
TSF840M	500	0.8	9	30	T0-220F
TSP840M	500	0.8	9	30	T0-220
TSF13N50M	500	0.48	13	45	T0-220F
TSP13N50M	500	0.48	13	45	T0-220
TSA16N50M	500	0.48	16	45	T0-3P
TSF16N50M	500	0.38	16	45	T0-220F
TSP16N50M	500	0.38	16	45	T0-220
TSA18N50M	500	0.32	18	50	T0-3P
TSF18N50M	500	0.3	18	50	T0-220F
TSP18N50M	500	0.3	18	45	T0-220
TSA20N50M	500	0.26	20	70	T0-3P
TSD1N60	600	11.5	1	7	T0-252
TSU1N60	600	11.5	1	7	T0-251
TSD2N60M	600	5	1.9	9	T0-252
TSU2N60M	600	5	1.9	9	T0-251
TSF2N60M	600	5	2	9	T0-220F
TSP2N60M	600	5	2	9	T0-220
TSD4N60M	600	2.5	2.8	16	T0-251
TSF5N60M	600	2.5	4.5	16	T0-220F
TSP5N60M	600	2.5	4.5	16	T0-220
TSF8N60M	600	1.2	7.5	29	T0-220F
TSP8N60M	600	1.2	7.5	29	T0-220
TSF10N60M	600	0.75	10	48	T0-220F
TSP10N60M	600	0.75	10	48	T0-220
TSF12N60M	600	0.65	12	52	T0-220F
TSP12N60M	600	0.65	12	52	T0-220
TSA20N60M	600	0.32	20		T0-3P
TSD2N65M	650	7	2		T0-252
TSF2N65M	650	7	2		T0-220F
TSP2N65M	650	7	2		T0-220
TSU2N65M	650	7	2		T0-251
TSD4N65M	650	3	4		T0-252
TSF4N65M	650	3	4		T0-220F

TSP4N65M	650	3	4		TO-220
TSF7N65M	650	1.4	7		TO-220F
TSP7N65M	650	1.4	7		TO-220
TSF10N65M	650	0.85	10		TO-220F
TSP10N65M	650	0.85	10		TO-220
TSF12N65M	650	0.8	12		TO-220F
TSP12N65M	650	0.8	12		TO-220
TSN1N70M	700	16	0.4	5	TO-92
TSF2N70M	700	7	2	9	TO-220F
TSP2N70M	700	7	2	9	TO-220
TSD1N80M	800	18	1		TO-252
TSU1N80M	800	18	1		TO-251
TSF3N80M	800	5	3	14	TO-220F
TSF3N80N	800	5	3	15	TO-220F
TSP3N80M	800	5	3	14	TO-220
TSP3N80N	800	5	3	15	TO-220
TSF7N80M	800	2	7	30	TO-220F
TSP7N80M	800	2	7	30	TO-220
TSA10N80M	800	1.1	10	45	TO-3P
TSF6N90M	900	2.3	6		TO-220F
TSP6N90M	900	2.3	6		TO-220
TSA9N90M	900	1.4	9	45	TO-3P
TSA11N90M	900	1.1	11		TO-3P

5. Super_junction mosfet 超结 mosfet

Product Major Information					Vgs(V)	BV	VTH	Ron(10V) (mΩ)		Ron(4.5V) (mΩ)		Ron(2.5V) (mΩ)	
N/P Voltage	Product Name	Assembly	ID(A) 25°C	PW (W) 25°C		Min	Typ	Typ	Max	Typ	Max	Typ	Max
500V SJ-MOS	NCE05N50L	TO-251S	4.8	50	30	500	3	850	950				
	NCE05N50I	TO-251	4.8	50	30	500	3	850	950				
	NCE05N50K	TO-252	4.8	50	30	500	3	850	950				
	NCE05N50F	TO-220F	4.8	31	30	500	3	850	950				
	NCE05N50	TO-220	4.8	50	30	500	3	850	950				
	NCE05N50D	TO-263	4.8	50	30	500	3	850	950				
	NCE08N50	TO-220	7.8	83	30	500	3	540	600				
	NCE08N50F	TO-220F	7.8	32	30	500	3	540	600				
	NCE08N50I	TO-251	7.8	83	30	500	3	540	600				

	NCE08N50K	TO-252	7.8	83	30	500	3	540	600				
	NCE08N50D	TO-263	7.8	83	30	500	3	540	600				
	NCE11N50	TO-220	11	125	30	500	3	340	380				
	NCE11N50F	TO-220F	11	33	30	500	3	340	380				
	NCE11N50D	TO-263	11	125	30	500	3	340	380				
	NCE11N50T	TO-247	11	125	30	500	3	340	380				
	NCE20N50	TO-220	20	208	30	500	3	160	190				
	NCE20N50F	TO-220F	20	34.5	30	500	3	160	190				
	NCE20N50T	TO-247	20	208	30	500	3	155	190				
600V SJ-MOS	NCE05N60L	TO-251S	4.8	50	30	600	3	850	950				
	NCE05N60I	TO-251	4.8	50	30	600	3	850	950				
	NCE05N60K	TO-252	4.8	50	30	600	3	850	950				
	NCE05N60F	TO-220F	4.8	31	30	600	3	850	950				
	NCE05N60	TO-220	4.8	50	30	600	3	850	950				
	NCE05N60D	TO-263	4.8	50	30	600	3	850	950				
	NCE08N60	TO-220	7.8	83	30	600	3	540	600				
	NCE08N60F	TO-220F	7.8	32	30	600	3	540	600				
	NCE08N60I	TO-251	7.8	83	30	600	3	540	600				
	NCE08N60K	TO-252	7.8	83	30	600	3	540	600				
	NCE08N60D	TO-263	7.8	83	30	600	3	540	600				
	NCE11N60	TO-220	11	125	30	600	3	340	380				
	NCE11N60F	TO-220F	11	33	30	600	3	340	380				
	NCE11N60D	TO-263	11	125	30	600	3	340	380				
	NCE11N60T	TO-247	11	125	30	600	3	340	380				
	NCE20N60	TO-220	20	208	30	600	3	160	190				
	NCE20N60F	TO-220F	20	34.5	30	600	3	160	190				
NCE20N60T	TO-247	20	208	30	600	3	155	190					
650V SJ-MOS	NCE05N65L	TO-251S	4.8	50	30	650	3	850	950				
	NCE05N65I	TO-251	4.8	50	30	650	3	850	950				
	NCE05N65K	TO-252	4.8	50	30	650	3	850	950				
	NCE05N65F	TO-220F	4.8	31	30	650	3	850	950				
	NCE05N65	TO-220	4.8	50	30	650	3	850	950				
	NCE05N65D	TO-263	4.8	50	30	650	3	850	950				
	NCE08N65	TO-220	7.8	83	30	650	3	540	600				
	NCE08N65F	TO-220F	7.8	32	30	650	3	540	600				
	NCE08N65I	TO-251	7.8	83	30	650	3	540	600				
	NCE08N65K	TO-252	7.8	83	30	650	3	540	600				
	NCE08N65D	TO-263	7.8	83	30	650	3	540	600				
NCE11N65	TO-220	11	125	30	650	3	340	380					

NCE11N65F	TO-220F	11	33	30	650	3	340	380				
NCE11N65D	TO-263	11	125	30	650	3	340	380				
NCE11N65T	TO-247	11	125	30	650	3	340	380				
NCE20N65	TO-220	20	208	30	650	3	160	190				
NCE20N65F	TO-220F	20	34.5	30	650	3	160	190				
NCE20N65T	TO-247	20	208	30	650	3	155	190				
NCE30G120P	TO-3P	30	339	25	1200	5.5	2.0V	2.5V				
NCE30GD120P	TO-3P	30	339	25	1200	5.5	2.0V	2.5V				
NCE35G120P	TO-3P	35	368	25	1200	5.5	2.0V	2.5V				
NCE35GD120P	TO-3P	35	368	25	1200	5.5	2.0V	2.5V				
NCE40G120P	TO-3P	40	417	25	1200	5.5	2.0V	2.5V				
NCE40GD120P	TO-3P	40	417	25	1200	5.5	2.0V	2.5V				

Note "*" Vgs=5V ;

6.TVS ESD Array(防静电保护 TVS 阵列)

ESD & Latch Up 静电防护二极体 (FBP-02C)								
Part No. Datasheet	Product Description	V(BR) (Min)	VRWM (Max)	IR (Max)	PPK (8/20 us)	IPP (8/20 us)	Cj (Typ)	Package
		V	V	uA	W	A	pF	
SPE0589	1-Line TVS Diode (Unidirectional)	6	5	1	180	7	0.5	FBP-02C
SPE9X5VU	1-Line TVS Diode (Unidirectional)	6	5	1	180	7	0.5	FBP-02C

ESD & Latch Up 静电防护二极体 (MSOP-10L)								
Part No. Datasheet	Product Description	V(BR) (Min)	VRWM (Max)	IR (Max)	PPK (8/20 us)	IPP (8/20 us)	Cj (Typ)	Package
		V	V	uA	W	A	pF	
SPE0587	4-Line TVS Diode	6	5	1	180	7	0.35	MSOP-10L
SPE6V8UH	4-Line TVS Diode	6	5	1	180	7	0.35	MSOP-10L

ESD & Latch Up 静电防护二极体 (DFN-10)								
Part No.	Product Description	V(BR) (Min)	VRWM (Max)	IR (Max)	PPK (8/20 us)	IPP (8/20 us)	Cj (Typ)	Package
		V	V	uA	W	A	pF	
SPE0581	4-Line TVS Diode	6	5	1	180	7	0.35	DFN-10
SPE6V8UD	4-Line TVS Diode	6	5	1	180	7	0.35	DFN-10

ESD & Latch Up 静电防护二极体 (SOD-923)								
Part No.	Product Description	V(BR) (Min)	VRWM (Max)	IR (Max)	PPK (8/20 us)	IPP (8/20 us)	Cj (Typ)	Package

		V	V	uA	W	A	pF	
SPE0592	1-Line TVS Diode (Bidirectional)	6	5	1	250	7	5	SOD-923

ESD & Latch Up 靜電防護二極體 (SOD-723)								
Part No.	Product Description	V(BR) (Min)	VRWM (Max)	IR (Max)	PPK (8/20 us)	IPP (8/20 us)	Cj (Typ)	Package
		V	V	uA	W	A	pF	
SPE0571	1-Line TVS Diode (Unidirectional)	6	5	1	250	7	10	SOD-723
SPE0572	1-Line TVS Diode (Bidirectional)	6	5	1	250	7	5	SOD-723
SPE0573	1-Line TVS Diode (Bidirectional)	6	5	1	250	7	2	SOD-723

ESD & Latch Up 靜電防護二極體 (SOD-523)								
Part No.	Product Description	V(BR) (Min)	VRWM (Max)	IR (Max)	PPK (8/20 us)	IPP (8/20 us)	Cj (Typ)	Package
		V	V	uA	W	A	pF	
SPE0588	1-Line TVS Diode (Unidirectional)	6	5	1	250	7	0.5	SOD-523
SPE5Z5VU	1-Line TVS Diode (Unidirectional)	6	5	1	250	7	0.5	SOD-523
SPE0511	1-Line TVS Diode (Unidirectional)	6	5	1	250	7	10	SOD-523
SPE0521	1-Line TVS Diode (Bidirectional)	6	5	1	250	7	5	SOD-523
SPE0531	1-Line TVS Diode (Bidirectional)	6	5	1	250	7	2	SOD-523
SPE1211	1-Line TVS Diode (Unidirectional)	13.3	12	1	250	8	16	SOD-523

ESD & Latch Up 靜電防護二極體 (SOD-323)								
Part No. Datasheet	Product Description	V(BR) (Min)	VRWM (Max)	IR (Max)	PPK (8/20 us)	IPP (8/20 us)	Cj (Typ)	Package
		V	V	uA	W	A	pF	
SPE0562	1-Line TVS Diode (Bidirectional)	6	5	1	250	7	5	SOD-323

ESD & Latch Up 靜電防護二極體 (SOT-523 / SC-89-3L)								
---	--	--	--	--	--	--	--	--

Part No. Datasheet	Product Description	V(BR)	VRWM	IR	PPK	IPP	Cj	Package	
		(Min)	(Max)	(Max)	(8/20 us)	(8/20 us)	(Typ)		
		V	V	uA	W	A	pF		
SPE0512	2-Line TVS Array	6	5	1	250	7	10	SOT-523	
SPE0522	2-Line TVS Array (Bidirectional)	6	5	1	250	7	5	SOT-523	
SPE1212	2-Line TVS Array	13.3	12	1	250	8	16	SOT-523	

ESD & Latch Up 静电防护二极体 (SOT-563 / SC-89-6L)

Part No. Datasheet	Product Description	V(BR)	VRWM	IR	PPK	IPP	Cj	Package	
		(Min)	(Max)	(Max)	(8/20 us)	(8/20 us)	(Typ)		
		V	V	uA	W	A	pF		
SPE0514	4-Line TVS Array	6	5	1	250	7	10	SOT-563	
SPE0515	5-Line TVS Array	6	5	1	250	7	10	SOT-563	

ESD & Latch Up 静电防护二极体 (SOT-353 / SC-70-5L)

Part No. Datasheet	Product Description	V(BR)	VRWM	IR	PPK	IPP	Cj	Package	
		(Min)	(Max)	(Max)	(8/20 us)	(8/20 us)	(Typ)		
		V	V	uA	W	A	pF		
SPE0582	2-Line TVS Array	6	5	1	180	5	0.7	SOT-353	
SPE6V8UN	2-Line TVS Array	6	5	1	180	5	0.7	SOT-353	

ESD & Latch Up 静电防护二极体 (SOT-363 / SC-70-6L)

Part No. Datasheet	Product Description	V(BR)	VRWM	IR	PPK	IPP	Cj	Package	
		(Min)	(Max)	(Max)	(8/20 us)	(8/20 us)	(Typ)		
		V	V	uA	W	A	pF		
SPE0583	4-Line TVS Array	6	5	5	250	5	0.7	SOT-363	
SPE6V8UW	4-Line TVS Array	6	5	5	250	5	0.7	SOT-363	
SPE0523	5-Line TVS Array	6	5	1	250	7	2	SOT-363	
SPE0526	5-Line TVS Array	6	5	1	250	7	5	SOT-363	
SPE0534	4-Line TVS Array	6	5	1	250	7	10	SOT-363	
SPE0535	5-Line TVS Array	6	5	1	250	7	10	SOT-363	
SPE1225	5-Line TVS Array	13.3	12	1	250	8	16	SOT-363	

ESD & Latch Up 静电防护二极体 (SOT-143-A / SOT-143)

Part No. Datasheet	Product Description	V(BR)	VRWM	IR	PPK	IPP	Cj	Package	
		(Min)	(Max)	(Max)	(8/20 us)	(8/20 us)	(Typ)		
		V	V	uA	W	A	pF		
SPE0524	3-Line TVS Array	6	5	1	250	7	2	SOT-143-A	
SPE0544	3-Line TVS Array	6	5	1	250	7	5	SOT-143-A	
SPE1244	3-Line TVS Array	13.3	12	1	250	8	10	SOT-143-A	

ESD & Latch Up 靜電防護二極體 (SOT-23)								
Part No. Datasheet	Product Description	V(BR) (Min)	VRWM (Max)	IR (Max)	PPK (8/20 us)	IPP (8/20 us)	Cj (Typ)	Package
		V	V	uA	W	A	pF	
SPE0532	2-Line TVS Array (Bidirectional)	6	5	1	250	7	5	SOT-23
SPE0599	1-Line TVS Diode (Bidirectional)	6	5	1	250	7	5	SOT-23

ESD & Latch Up 靜電防護二極體 (SOT-23-6L)								
Part No. Datasheet	Product Description	V(BR) (Min)	VRWM (Max)	IR (Max)	PPK (8/20 us)	IPP (8/20 us)	Cj (Typ)	Package
		V	V	uA	W	A	pF	
SPE0584	4-Line TVS Array	6	5	5	250	5	0.7	SOT-23-6L
SPE6V8UF	4-Line TVS Array	6	5	5	250	5	0.7	SOT-23-6L
SPE0525	5-Line TVS Array	6	5	1	250	7	2	SOT-23-6L
SPE0504	4-Line TVS Array	6	5	1	250	7	10	SOT-23-6L
SPE0505	5-Line TVS Array	6	5	1	250	7	10	SOT-23-6L
SPE0506	5-Line TVS Array	6	5	1	250	7	10	SOT-23-6L

7.LDO Regulator and Constant Voltage and Constant Current Controller

Linear Regulator									
Part No.	Specification Description	Vin	Vout	Iout	Vdrop	Ignd	PSRR	Acc.	Package
		V	V	A	V	A	dB	%	
AF78M05	500mA Linear Regulator	7~35	5	0.5	2	4.2m	62	±5	TO-251
									TO-252-2L
AF79M05	500mA Linear Regulator	-7~-35	-5	0.5	2	4.2m	54	±5	TO-251

Shunt Regulators						
Part No.	Product Description	Operation Voltage (Max)	Output Current (Max)	Reference Voltage (Typ)	Accuracy Voltage	Package
		V	mA	V	%	
SP431	Adjustable Precision Shunt Regulators	37	150	2.5	± 0.5% ± 1.0%	TO-92 SOT-23

SP432	Adjustable Precision Shunt Regulators	20	100	1.24	± 0.5% ± 1.0%	SOT-23
						SOT-23-5L
						TO-92
						SOT-353

Constant Voltage and Constant Current Controller						
Part No. Datasheet	Product Description	Operation Voltage (Max)	Output Current (Max)	Reference Voltage (Typ)	Accuracy Voltage	Package
		V	mA	V	%	
SP433	Four-Terminal Adjustable Voltage References with Over Current Protection	20	100	2.5	± 0.5% ± 1.0%	SOT-23-5L
						TO-94

8.White LED driver

LED Driver								
Part No.	Type	Operation Voltage	Feedback Voltage	output current	SW Vout Voltage	Frequency	Control Model	Package
		V	mV	A	V	MHZ	Type	
SP1937	DC/DC Boost Converter	2.5 ~ 20.0	95	0.5	36	1.2	PWM	SOT-23-5L
SP1938	DC/DC Boost Converter with OVP	2.5 ~ 18.0	95	0.5	36	1.2	PWM	SOT-23-6L
SP2354	DC/DC Buck-Boost Controller	2.7 ~ 5.5	100	1	5.35	1	PWM	DFN-10
SP2115	DC/DC Buck Converter	8 ~ 30	100	1	Adj	1	PWM	SOT-89
Part No.	Type	Operation Voltage	Line Regulation	Iset Voltage	Quiescent Current	Load Regulation	Control Model	Package
		V	% / V	V	uA	% / V	Type	
SP1820	4 Channel Constant Current Controller	2.7 ~ 5.5	0.5	1.5	120	5	LDO	SOP-8P
SP1821	4 Channel	10.5	0.5	1.5	700	5	LDO	SOP-8P

	Constant Current Controller	~ 12.5							
--	-----------------------------	--------	--	--	--	--	--	--	--

Part No.	Specification Description	V _{in}	V _{fb}	I _{sw}	Freq.	I _{gnd}	I _{off}	Eff.	Package
		V	V	A	Hz	A	μA	%	
AF1502	300kHz 2A/23V Step-Down White LED Driver	4.2~23	0.21	2	300K	2m	1μ	95	SOP-8P
AF1502A	300kHz 2A/23V Step-Down White LED Driver	4.2~23	0.21	2	300K	2m	1μ	95	SOP-8P
AF1503	150kHz 2A/40V Step-Down White LED Driver	4.2~40	0.21	2	150K	2m	1μ	95	SOP-8P
AF1800	300kHz 1A/500V PWM Universal High Brightness LED Driver	8~500	0.25	-	300K	500μ	-	90	SOP-8P
									DIP-8P
AF1880	100mA/500V AC-DC Linear LED Driver	8~500	0.25	-	-	25μ	-	90	SOT-223
									TO-252-2L

9.DC-DC Converter

DC-DC Converter (Synchronous)									
Part No.	Specification Description	V _{in}	V _{out}	I _{sw}	Freq.	I _{gnd}	I _{off}	Eff.	Package
		V	V	A	Hz	mA	μA	%	
AF1207	340kHz 2A/18V Sync. Buck Converter	4.5~18	0.923~V _{in}	2	340K	1	15	93	SOP-8P
AF2120	1.5MHz 1A/5.5V Sync. Step-Down Converter (Dual)	2.5~5.5	Adj	1	1.5M	0.07	1	95	DFN3X3-12L
AF7103	1.4MHz 0.8A/5.5V Sync. Step-Down Converter	2.5~5.5	Adj	0.8	1.4M	0.2	1	95	TSOT-25
AF7110	1.5MHz 1A/5.5V Sync. Step-Down Converter (Single)	2.5~5.5	Adj / 1.2 / 1.8 / 3.3	1	1.5M	0.07	1	95	DFN2X2-6L
AF7182	350kHz 2A/23V Sync. Step-Down Converter	4.75~23	0.923~18	2	350K	1.5	1	93	SOP-8EP
AF7184	350kHz 3A/23V Sync. Step-Down Converter	4.75~23	0.925~20	3	350K	1.5	1	95	SOP-8EP
DC-DC Converter (Asynchronous)									
Part No.	Specification Description	V _{in}	V _{out}	I _{sw}	Freq.	I _{gnd}	I _{off}	Eff.	Package
		V	V	A	Hz	mA	μA	%	
AF1200	600kHz 2A/18V Step-Down Converter	4.2~18	0.8~V _{in}	2	600K	0.7	1	92	SOT-23-6L
AF1201	300kHz 2A/23V Step-Down Converter	4.2~23	0.8~V _{in}	2	300K	2	1	92	SOP-8P

<u>AF1202A</u>	300kHz 2.6A/23V Step-Down Converter	4.2~23	0.8~Vin	2.6	300K	2	1	92	<u>SOP-8P</u>
<u>AF1202</u>	300kHz 3A/23V Step-Down Converter	4.2~23	0.8~Vin	3	300K	2	1	92	<u>SOP-8P</u>
<u>AF1205</u>	300kHz 4A/23V Step-Down Converter	4.2~23	0.8~Vin	4	300K	2	1	87	<u>SOP-8P</u>
<u>AF1206</u>	300kHz 5A/23V Step-Down Converter	4.2~23	0.8~Vin	5	300K	2	1	87	<u>SOP-8P</u>
AF1206A	300kHz 6A/23V Step-Down Converter	4.2~23	0.8~Vin	5	300K	2	1	87	DIP-8P
<u>AF1209</u>	300kHz 2A/28V Step-Down Converter	4.2~28	0.8~Vin	2	300K	2	10	92	<u>SOP-8P</u>
<u>AF1210</u>	150kHz 2A/40V Step-Down Converter	4.2~40	0.8~Vin	2	150K	1	1	87	<u>SOP-8P</u>
<u>AF1210A</u>	150kHz 2.4A/40V Step-Down Converter	4.2~40	0.8~Vin	2.4	150K	1	1	87	<u>SOP-8P</u>
<u>AF1412</u>	380kHz 2A/23V Step-Down Converter	4.75~23	Adj	2	380K	1	25	90	<u>MSOP-10L</u>
<u>AF1459</u>	1.4MHz 1A/16V Step-Down Converter	4.5~16	0.81~14	1	1.4M	1	0.1	90	<u>TSOP-6</u>
<u>AF1460</u>	1.4MHz 1.5A/16V Step-Down Converter	4.5~16	0.81~14	1.5	1.4M	1	1	92	<u>TSOP-6</u>
<u>AF1583</u>	370kHz 3A/23V Step-Down Converter	4.75~23	Adj	3	370K	1	25	90	<u>SOP-8EP</u>

10. Schottky Diode 肖特基二极管

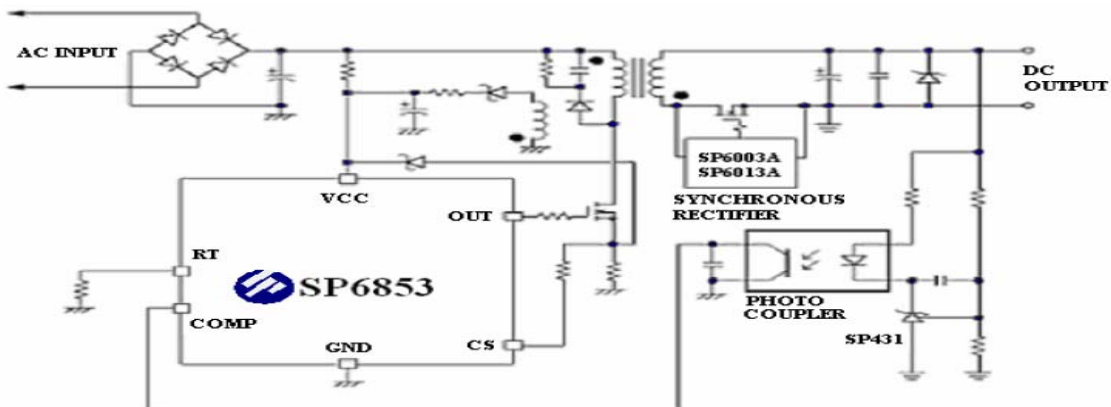
Part Number	VRRM (V)	VF(max) (V)	IF (A)	IFSM(max) (A)	IR(max) (mA)	TJ(°C)	Package
MBR10100CT	100	0.72 0.78	5 10	125	10 (TC=125°C)	-65 to +175	TO-220
MBRF10100CT	100	0.72 0.78	5 10	125	10 (TC=125°C)	-65 to +175	TO-220F
MBR2060CT	60	0.70 0.82	10 20	150	10 (TC=125°C)	-65 to +175	TO-220
MBRF2060CT	60	0.70 0.82	10 20	150	10 (TC=125°C)	-65 to +175	TO-220F
MBR20100CT	100	0.76 0.86	10 20	150	10 (TC=125°C)	-65 to +175	TO-220
MBRF20100CT	100	0.76 0.86	10 20	150	10 (TC=125°C)	-65 to +175	TO-220F
MBR20150CT	150	0.78 0.88	10 20	150	10 (TC=125°C)	-65 to +175	TO-220

MBRF20150CT	150	0.78 0.88	10 20	150	10 (TC=125°C)	-65 to +175	TO-220F
MBR30100CT	100	0.76 0.86	15 30	300	10 (TC=125°C)	-65 to +175	TO-220
MBRF30100CT	100	0.76 0.86	15 30	300	10 (TC=125°C)	-65 to +175	TO-220F
MBR1060F	100	0.76 0.84	5 10	125	10 (TC=125°C)	-65 to +175	TO-126
MBR10100F	100	0.76 0.84	5 10	125	10 (TC=125°C)	-65 to +175	TO-126
MBR10150F	150	0.80 0.85	5 10	125	10 (TC=125°C)	-65 to +175	TO-126

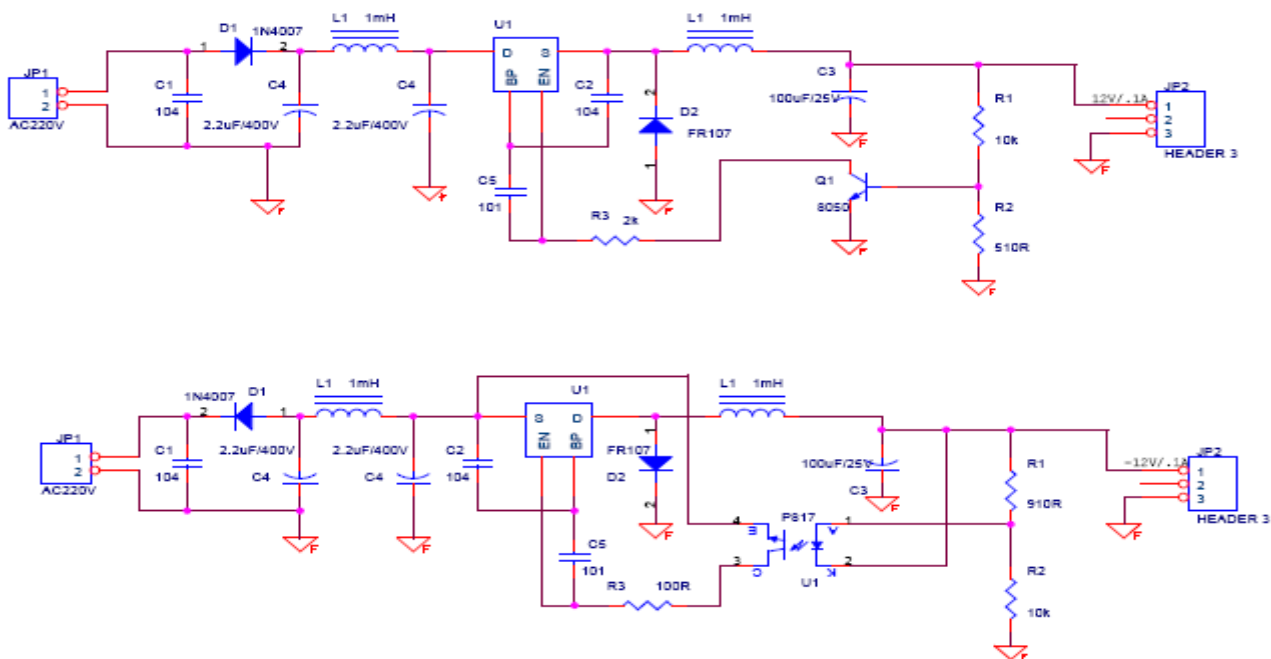
Part Number	Configuration	Package	peak repetitive reverse voltage (VRRM)	Max Averaged Rectified Current IF	Max peak forward surge current (IFSM)	Forward Voltage Drop (VF) @ IF		Max reverse Current IR@VRRM	ESD
						1	10		
SSBD20300CTF	Dual	T0220F	300	2×10A	180	1	10	0.1	
SSBR30200	single	TO-220AC/F D2PAK	200	30	200	0.95	30	0.2	6
SSBR60200CT	dual	TO-3P	200	2×30	420	0.95	30	0.5	6
SSBD10L100CTF	dual	T0220F	100	2×5	180	0.7	5	0.1	
SSTS20L100CTF	Dual	T0220F	100	2×10A	200	0.7	10	0.1	

11. 应用方案展示:

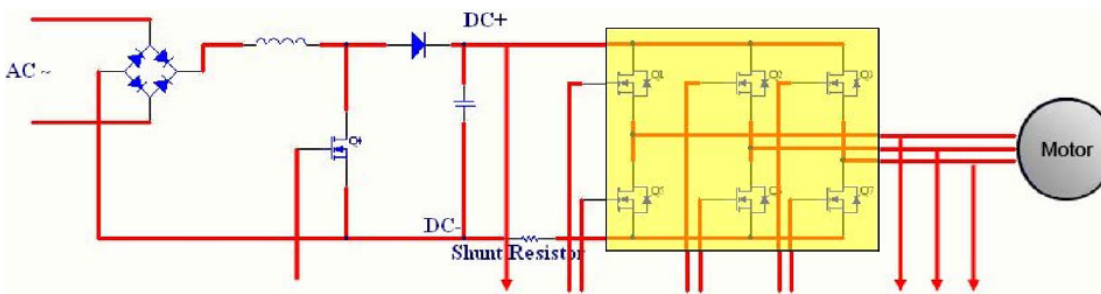
1) 同步整流电路提高电源效率, 降低电源温升的运用



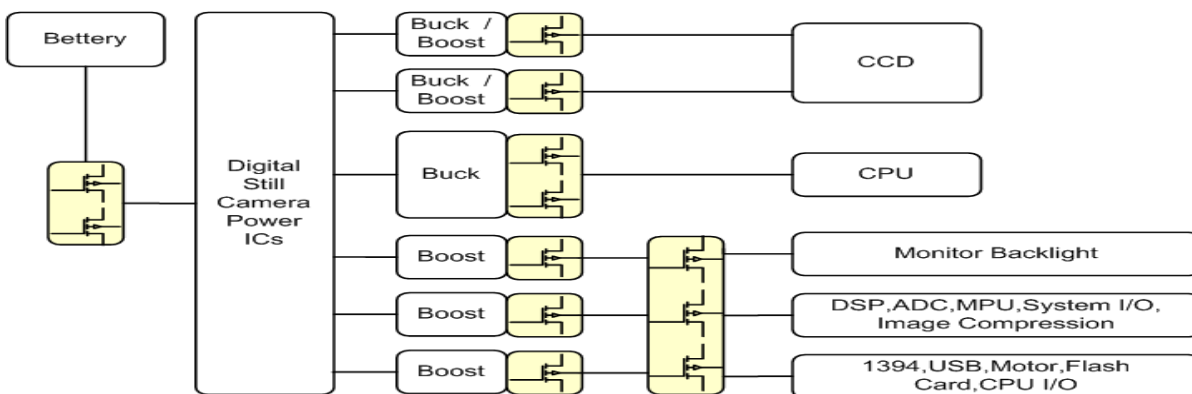
2) AC-DC 高压交流转低压直流非隔离方案(可用于小家电, 白家电, 监控对讲产品, 橱电产品电源供电)



3) E-bike 电动自行车电源控制

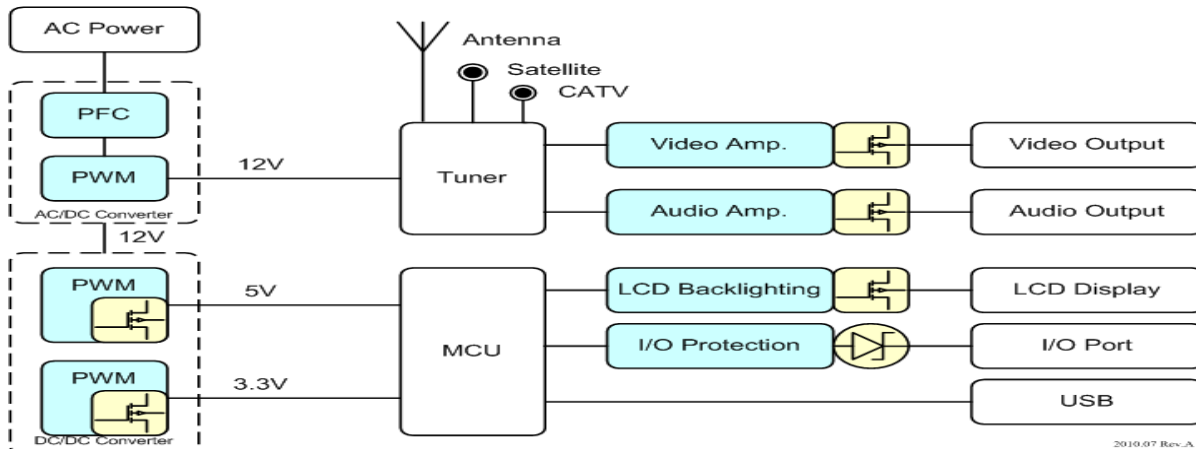


4) Digital camera 数码相机

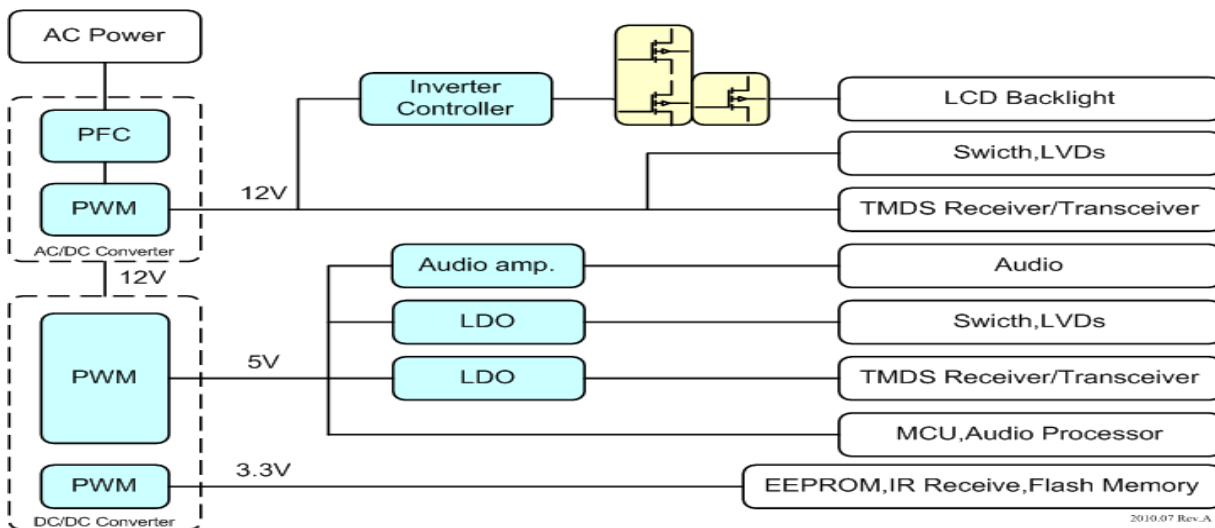


2010.07 Rev.A

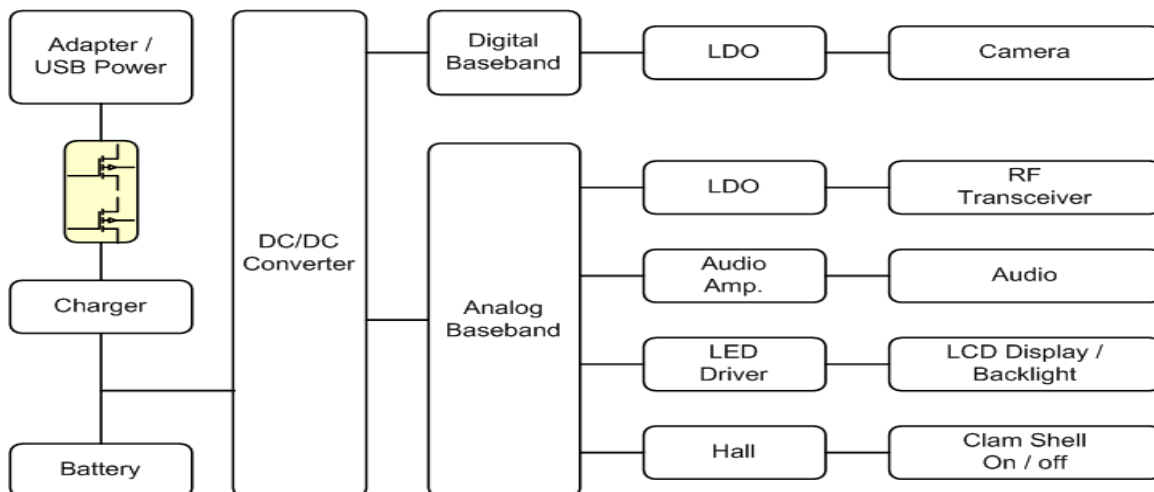
5) set-box 机顶盒



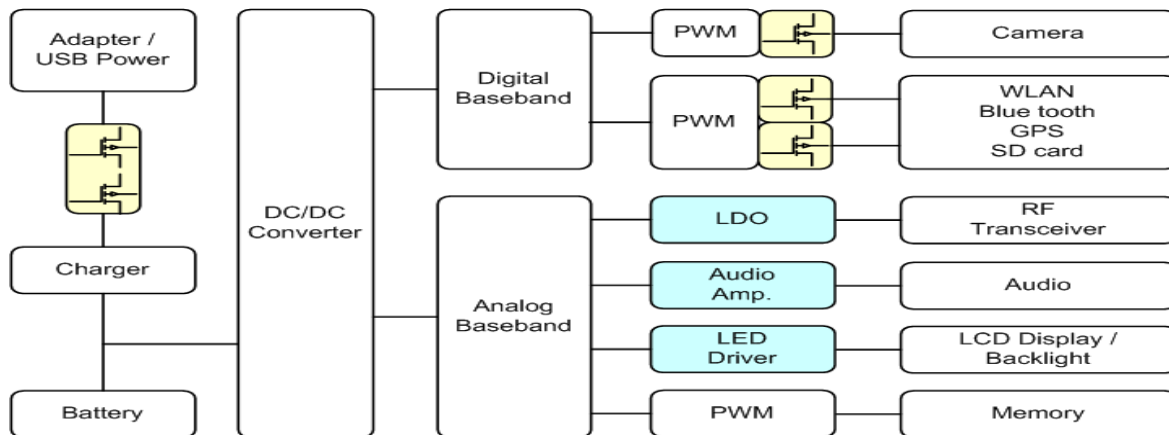
6) LCD TV 液晶电视



7) Celluler Phone 移动电话

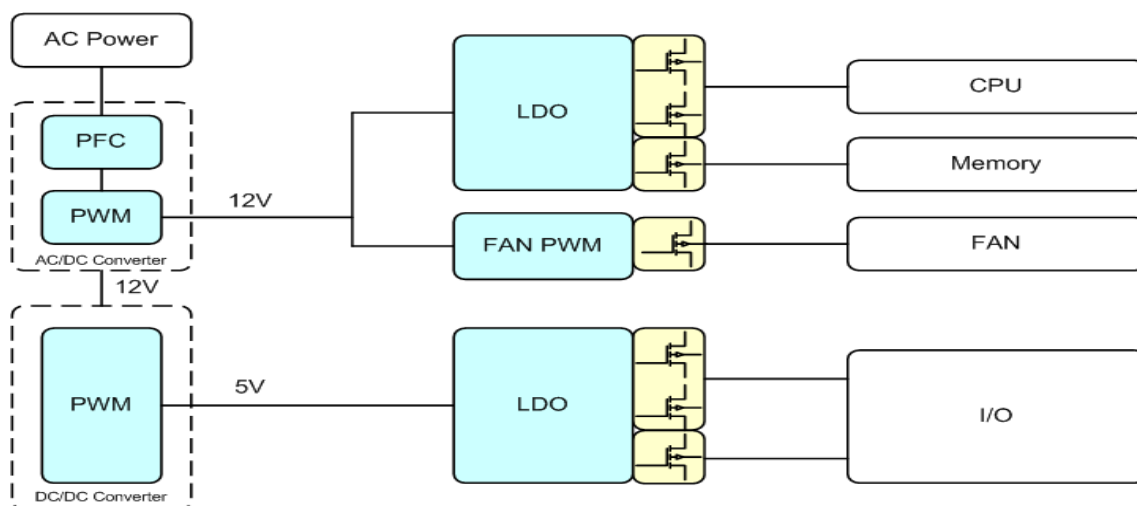


8) Smartphone PDA 智能手机



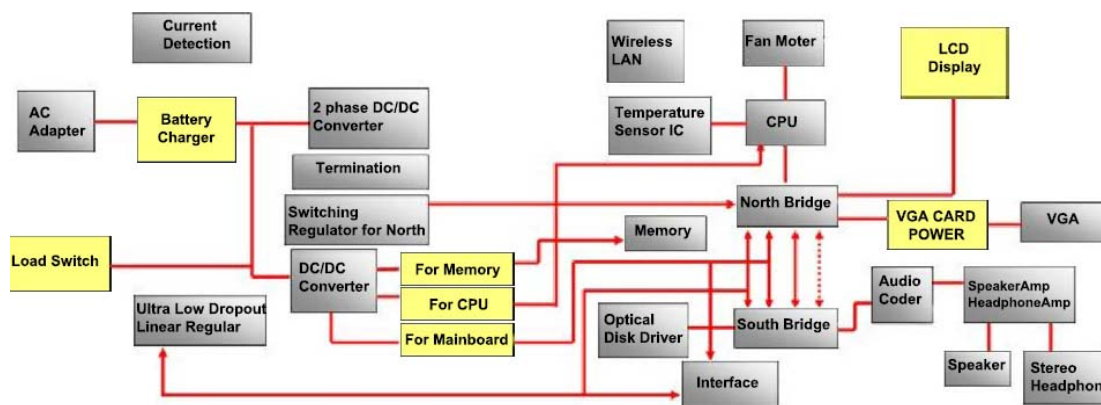
2010.07 Rev.A

9) PC Power 台式电脑电源电路



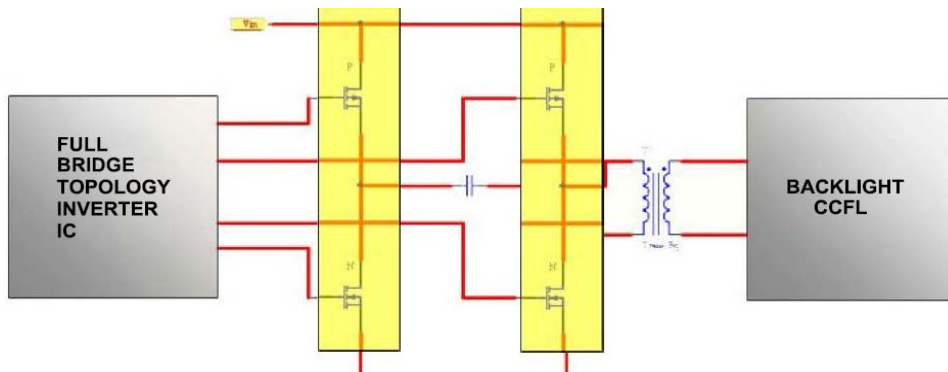
2010.07 Rev.A

10) Notebook 笔记本电脑

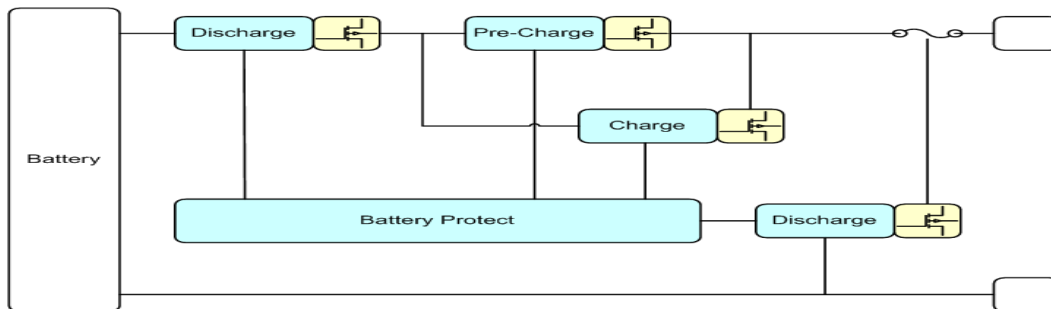
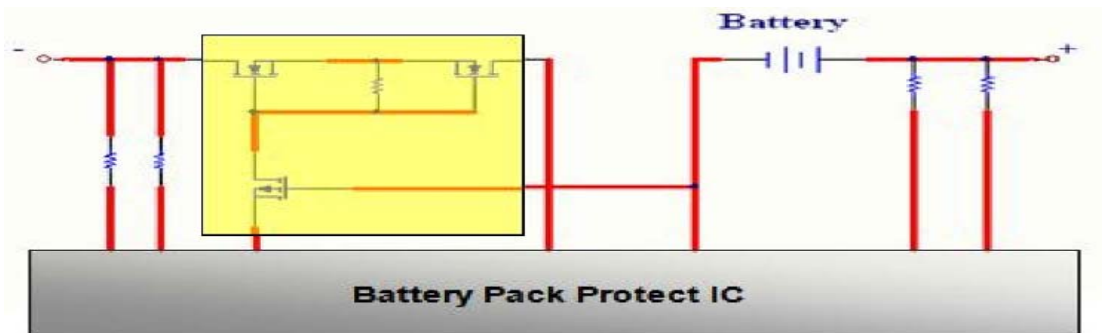


黄色框图部分也会用到mosfet

LCD backlight Inverter

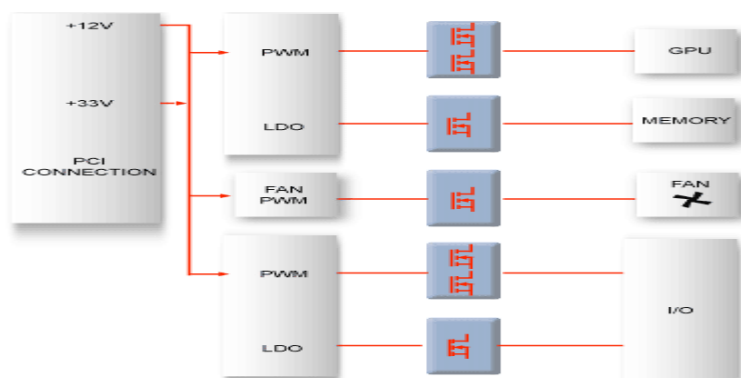


Battery Pack Protection



2010.07 Rev.A

电脑显卡应用:



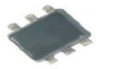
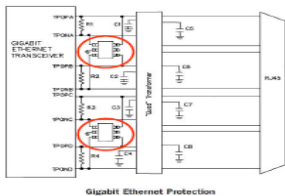
11) TVS ESD Array 在以太网设备中的应用



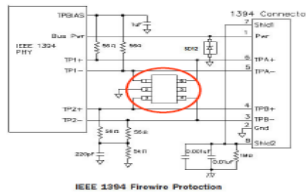
ESD Protection Diode for Ethernet



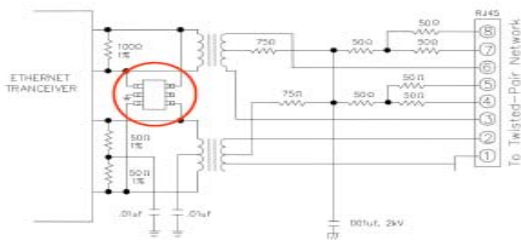
AFE0504 SOT-363



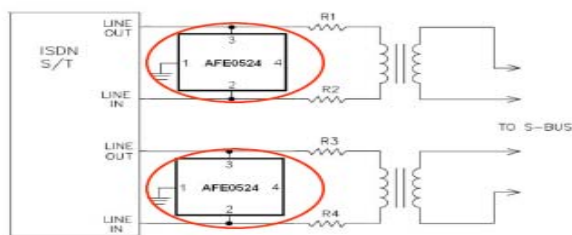
AFE0514 SOT-563



AFE0505 SOT-23-6L



AFE0524 SOT-143



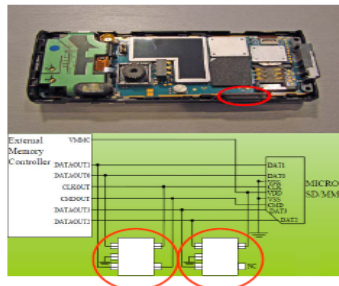
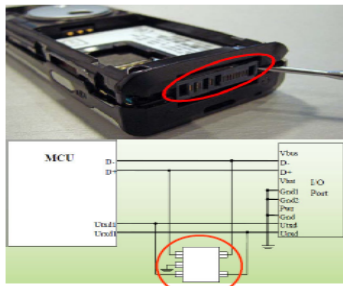
11) TVS ESD 在移动电话和智能手机中的应用




ESD Protection for Cell Phone / Smart Phone


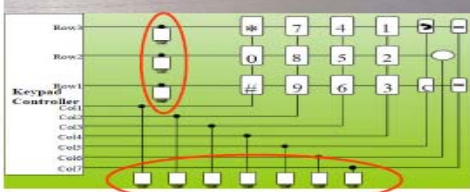



AFE0514 SOT-563




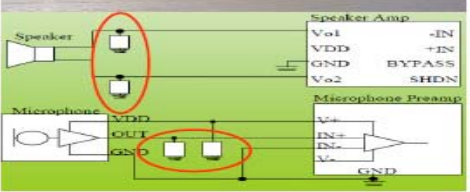



**AFE0521
SOD-523**


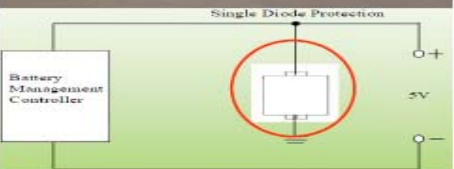



**AFE0572
SOD-723**

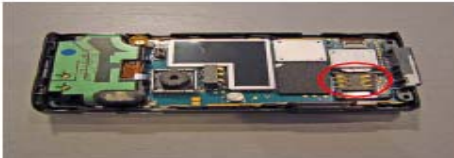
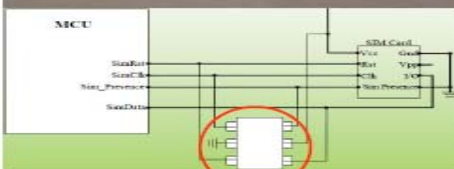


**AFE0562
SOD-323**








**AFE6V8UW
SOT-363**





12) TVS ESD 在 LCD TV/DVD/Set-box 中的应用


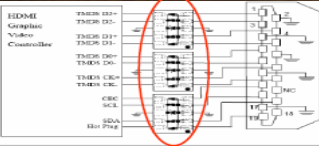


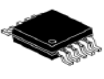
ESD Protection Diode for LCD TV/DVD/Set-Top Box







**AFE6V8UD
DFN-10**




**AFE6V8UH
MSOP-10L**





13) TVS ESD 在笔记本电脑 NB 和 Ipad 中的应用


ESD Protection Diode for Notebook / iPad




AFE6V8UD
DFN-10
(HDMI)




AFE0504
SOT-363
(USB 2.0)




AFE6V8UF
SOT-23-6L
(USB 3.0)




AFE6V8UW
SOT-363
(USB 3.0)




AFE0514
SOT-563
(IEEE1394)



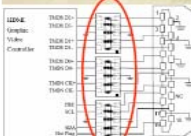
AFE0505
SOT-23-6L
(IEEE1284)




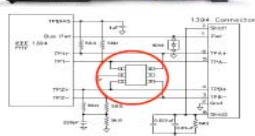
HDMI
USB 3.0
USB 2.0



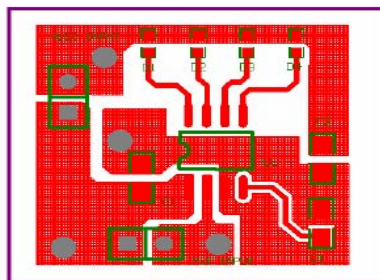
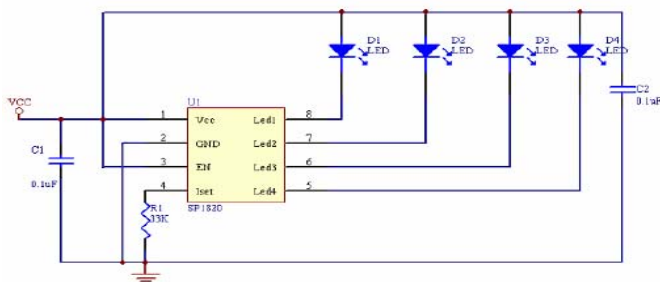
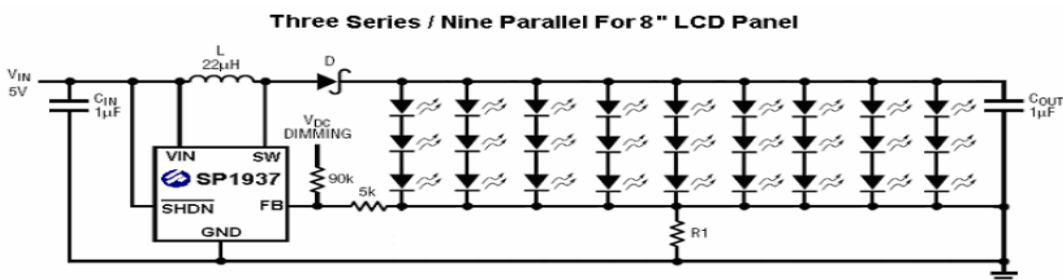
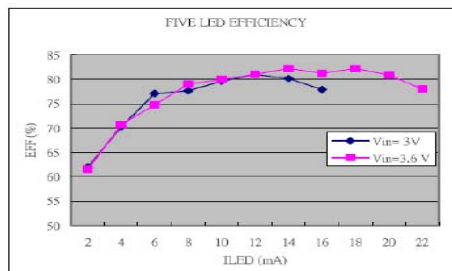
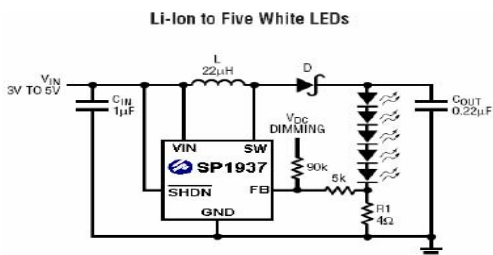
IEEE 1394







14) LED 照明或背光应用



专业电子元器件代理分销商



勤奋，守信，专业

道正工贸(香港)有限公司 [HTTP://WWW.RIGHTWAYCHINA.COM](http://www.rightwaychina.com)