

High and Low Side Driver

General Description

The PN7106A/B is a high voltage, high speed power MOSFET and IGBT driver based on P_SUB P_EPI process. The floating channel driver can be used to drive two N-channel power MOSFET or IGBT in a half-bridge configuration (version B) or any other high-side + low-side configuration (version A) which operates up to 600V. Logic inputs are compatible with standard CMOS or LSTTL output, down to 3.3V logic. The output drivers feature a high pulse current buffer stage designed for minimum driver cross-conduction. Propagation delays are matched to simplify use in high frequency applications.

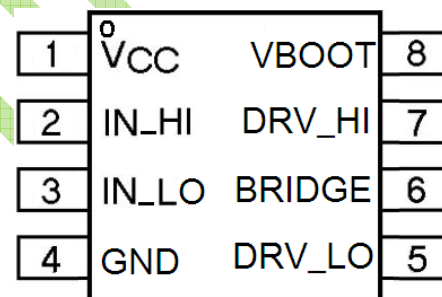
Applications

- Small and medium-power motor driver
- Power MOSFET or IGBT driver
- Lighting ballast
- Half-Bridge Power Converters
- Full-Bridge Power Converters
- Any Complementary Drive Converters (Asymmetrical Half-Bridge, Active Clamp) (A Version Only)

Features

- Fully operational to +600 V
- 3.3 V logic compatible
- dV/dt Immunity ± 50 V/ns
- Floating channel designed for bootstrap operation
- Gate drive supply range from 10 V to 20 V
- UVLO for both channels
- Output Source / Sink Current Capability 450mA / 950mA
- Independent Logic Inputs to Accommodate All Topologies (Version A)
- Cross Conduction Protection with 100 ns Internal Fixed Dead Time (Version B)
- -5V negative Vs ability
- Pin-to-Pin Compatible with Industry Standards
- Matched propagation delay for both channels
- 8-Lead PDIP or 8-Lead SOIC package

Package



Typical Application Circuit

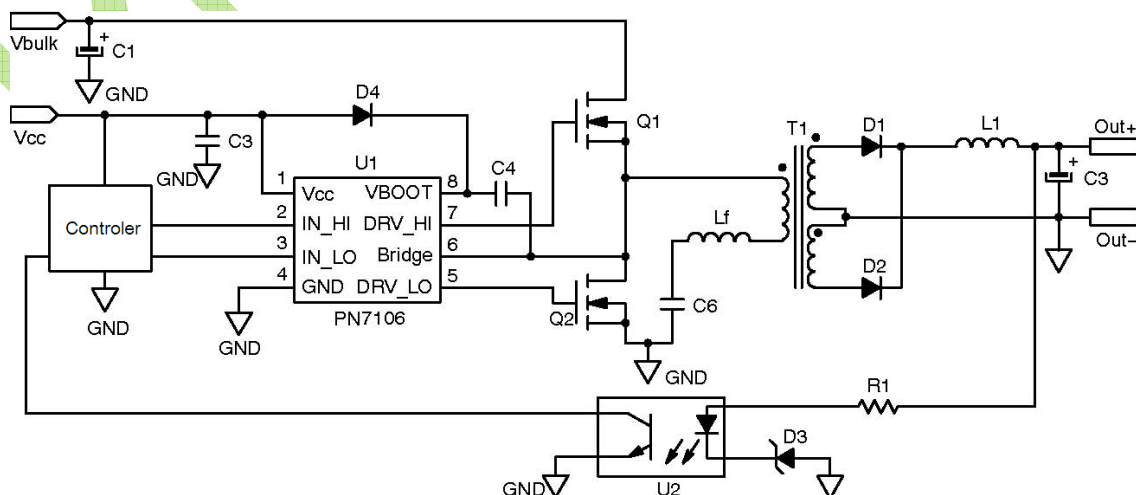


Figure1. Typical Application Resonant Converter (LLC type)

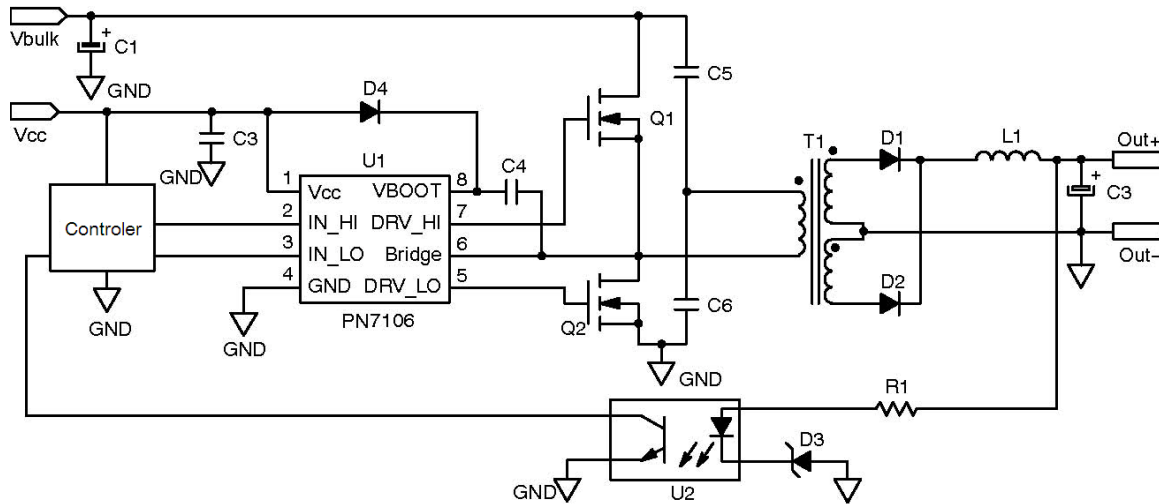


Figure2. Typical Application Half Bridge Converter

Pin Description

PIN NO.	PIN NAME	PIN FUNCTION
1	VCC	Low side and main power supply
2	IN_HI	Logic input for high side gate driver output (HO), in phase
3	IN_LO	Logic input for low side gate driver output (LO), in phase
4	GND	Ground
5	DRV_LO	Low side gate drive output, in phase with IN_LO
6	BRIDGE	High side floating supply return or bootstrap return
7	DRV_HI	High side gate drive output, in phase with IN_HI
8	VBOOT	High side floating supply

Functional Block Diagram

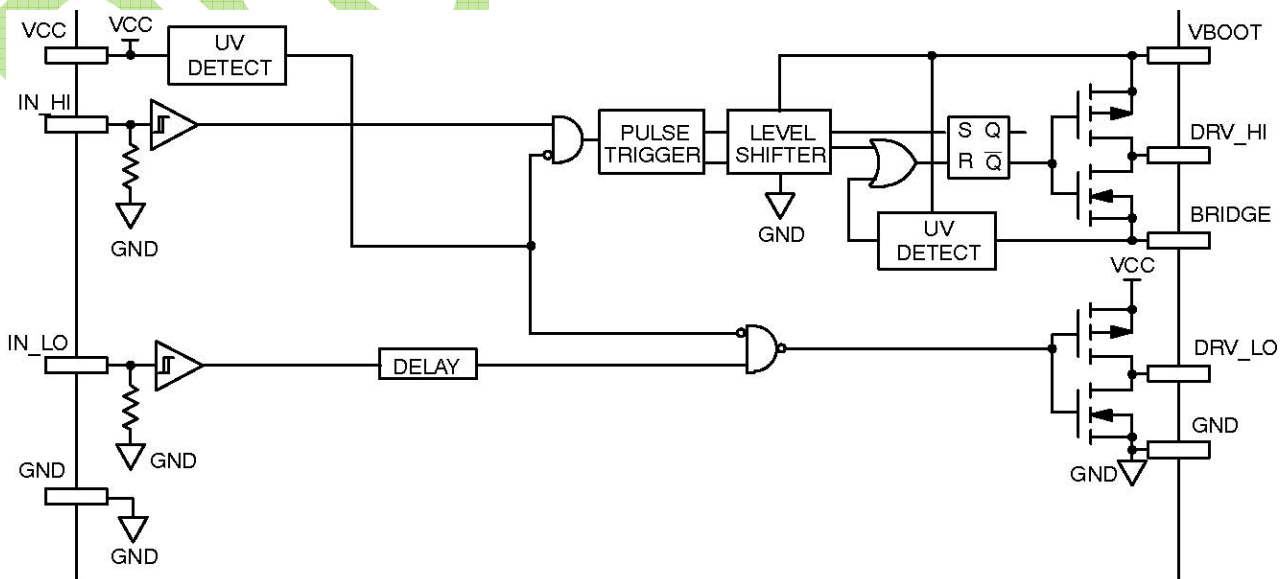


Figure3. Detailed Block Diagram: Version A

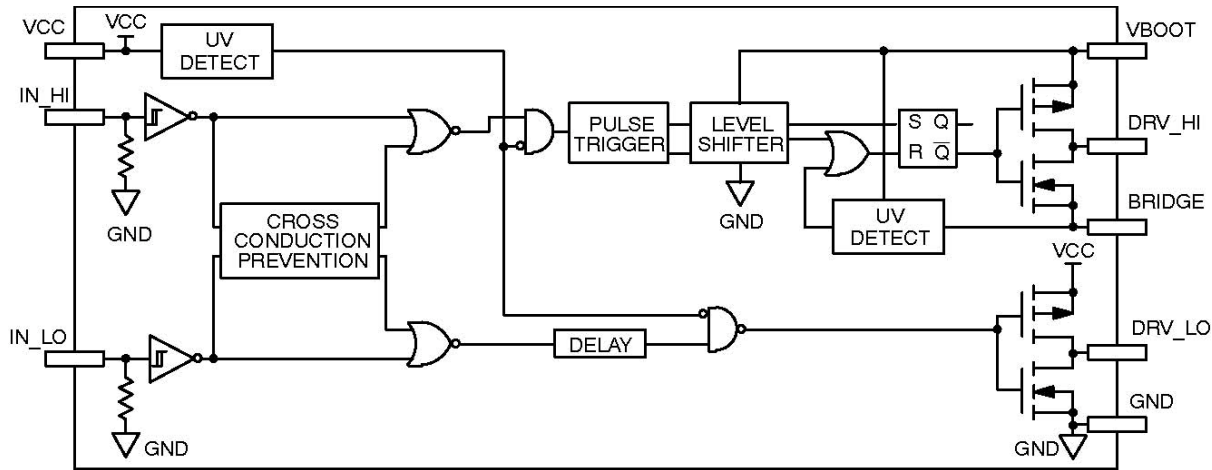


Figure4. Detailed Block Diagram: Version B

Absolute Maximum Ratings [Note1]

Symbol	Definition	MIN.	MAX.	Units	
V_VBOOT	High side floating supply	-0.3	600	V	
V_Bridge	High side floating supply return	V_VBOOT - 25	V_VBOOT + 0.3		
V_DRV_HI	High side gate drive output	V_Bridge -0.3	V_VBOOT + 0.3		
VCC	Low side and main power supply	-0.3	25		
V_DRV_LO	Low side gate drive output	-0.3	VCC + 0.3		
VIN_XX	Logic input of IN_HI and IN_LO	-0.3	VCC + 0.3		
dV _s /dt	Allowable Offset Supply Voltage Transient	--	50	V/ns	
ESD	HMB Model	2.5		kV	
	Machine Model	200		V	
P _D	Package Power Dissipation @ TA ≤25°C	8 Lead DIP	--	1.0	W
		8 Lead SOIC	--	0.625	
R _{qJA}	Thermal Resistance Junction to Ambient	8 Lead DIP	--	125	°C
		8 Lead SOIC	--	200	
T _J	Junction Temperature	--	150	°C	
T _S	Storage Temperature	-55	150		
T _L	Lead Temperature (Soldering, 10 seconds)	--	300		

Note 1: Exceeding these ratings may damage the device.

Recommended Operating Conditions

Symbol	Definition	MIN.	MAX.	Units
V_VBOOT	High side floating supply	V_Bridge +10	V_Bridge +20	V
V_Bridge	High side floating supply return	-	600	
V_DRV_HI	High side gate drive output	V_Bridge	V_VBOOT	
VCC	Low side supply	10	20	
V_DRV_LO	Low side gate drive output	0	VCC	
VIN_HI	Logic input for high side	0	VCC	
VIN_LO	Logic input for low side	0	VCC	

Dynamic Electrical Characteristics

VBIAS (VCC, VBoot) = 15V, CL = 1000 pF and TA = 25°C unless otherwise specified.

Symbol	Definition	TYP.	MAX.	Units
ton _H	High side turn-on propagation delay	175	180	ns
toff _H	High side turn-off propagation delay	170	175	
ton _L	Low side turn-on propagation delay	175	180	
toff _L	Low side turn-off propagation delay	170	175	
MT	Delay matching	5.5	8.0	
DT	Dead time	98	102	
Tr	Turn-on rise time	50	55	
Tf	Turn-off fall time	25	27	

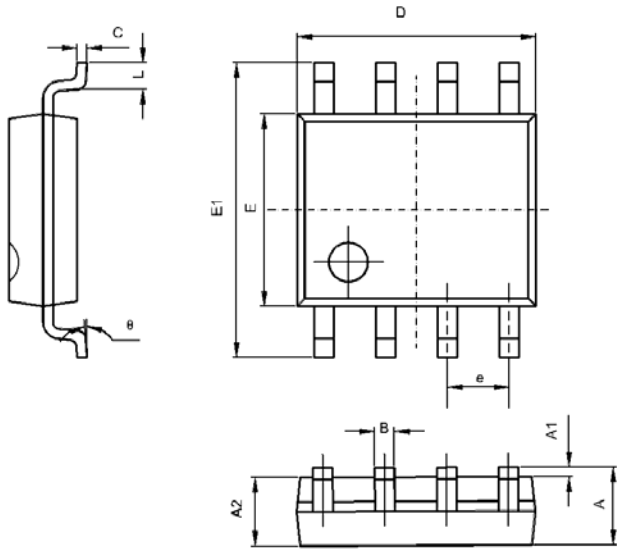
Static Electrical Characteristics

VBIAS (VCC, VBoot) = 15V, CL = 1000 pF and TA = 25°C unless otherwise specified.

Symbol	Definition	MIN.	TYP.	MAX.	Units
V _{INH}	Logic "1" input voltage	2.4	-	-	V
V _{INL}	Logic "0" input voltage	-	-	1.0	
V _{DRV-H}	High level output voltage, V _{BIAS} - V _{DRV-H}	-	-	1.3	
V _{DRV-L}	Low level output voltage, V _{DRV-H}	-	-	0.3	
I _{QCC}	Quiescent VCC supply current	-	220	240	uA
I _{QBS}	Quiescent VBOOT supply current	-	75	80	
I _{LK}	Leakage current from VBRIDGE(600V) to GND	-	0.15	0.2	
I _{IN+}	Logic "1" input bias current	-	6	10	
I _{IN-}	Logic "0" input bias current	-	0.00	0.1	V
V _{BSU+}	VBS supply UVLO threshold	-	8.7	-	
V _{BSU-}		-	8.1	-	
V _{CCU+}	VCC supply UVLO threshold	-	8.7	-	
V _{CCU-}		-	8.1	-	
I _{DRV_{SOURCE}}	Output high short circuit pulsed current [Note2]	-	450	-	mA
I _{DRV_{SINK}}	Output low short circuit pulsed current [Note2]	-	950	-	

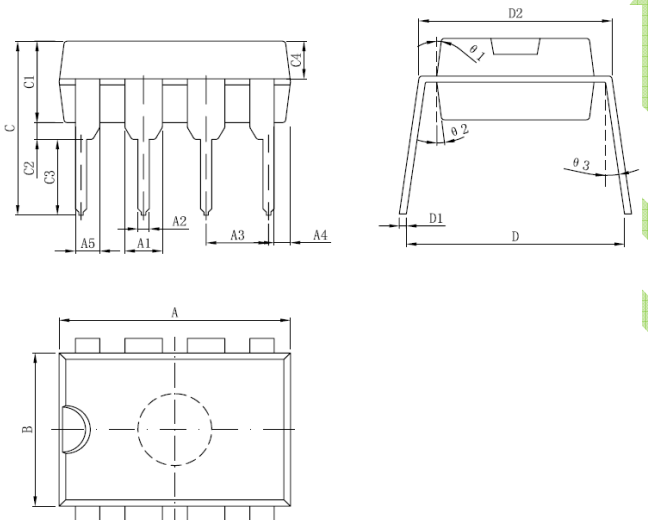
Package Information

SOP-8 PACKAGE OUTLINE AND DIMENSIONS



SYMBOL	DIMENSION IN MILLIMETERS		DIMENSION IN INCHES	
	MIN	MAX	MIN	MAX
A	1.350	1.750	0.053	0.069
A	0.100	0.250		0.010
A	1.350	1.550	0.053	0.061
B	0.330	0.510	0.013	0.020
C	0.190	0.250	0.007	0.010
D	4.780	5.0	0.188	0.197
E	3.800	4.000	0.150	0.157
E	5.800	6.300	0.228	0.248
e	1.270 TYP		0.050 TYP	
L	0.400	1.270	0.016	0.050
θ	0	8	0	8

DIP8 PACKAGE OUTLINE AND DIMENSIONS



Size symbol	Min(mm)		Max(mm)		
	Min(mm)	Max(mm)	Min(mm)	Max(mm)	
A	9.30	9.50	C2	0.50	
A1	1.524		C3	3.3	
A2	0.39	0.53	C4	1.57TYP	
A3	2.54		D	8.2	8.8
A4	0.66TYP		D1	0.2	0.35
A5	0.99TYP		D2	7.62	7.87
B	6.3	6.5	θ1	8°TYP	
C	7.2		θ2	8°TYP	
C1	3.3	3.5	θ3	5°TYP	

Important Notice

Chipown Microelectronics Co. Ltd. reserves the right to make changes without further notice to any products or specifications herein. Chipown Microelectronics Co. Ltd. does not assume any responsibility for use of any its products for any particular purpose, nor does Chipown Microelectronics Co. Ltd assume any liability arising out of the application or use of any its products or circuits. Chipown Microelectronics Co. Ltd does not convey any license under its patent rights or other rights nor the rights of others.

Preliminary