

## **YAO-A-35/65W-HID Portable Searchlight**



Main light

[www.hid75w.com](http://www.hid75w.com)

### ☆ Main technical parameters

- ☆ lighting power rate: 35w/65w ( 2 switches)
- ☆ applied bulb: xenon bulb
- ☆ Color temperature: 4300K/6000K ( for option)
- ☆ luminous flux: 35W=2500-3200lm, 80w=5000-6000lm. 3-8 times brighter than that of big headlamp of vehicle.
- ☆ Bulb lifetime: 500-1000 hours
- ☆ Lithium-powered battery voltage: 18.5Vv/DC [13.8--21v]
- ☆ Continuous discharging time: 35W/4 hrs, 65w/1.3hrs.
- ☆ Bulb initiating voltage: 23KV
- ☆ Xenon bulb working voltage: 70-120v/AC(square wave)
- ☆ Lighting frequency rate: 300HZ square wave
- ☆ Charging current: 3A ( red light indicates charging status)
- ☆ Charging voltage: 21V (green light indicates that full charging is over with automatic shut-off).
- ☆ Charging method: automatic and intelligent
- ☆ Charging input voltage: 85-260V/AC
- ☆ Charging time: 3-5 hrs ( green light indicates that charging is over)
- ☆ Car charging inverter: input voltage: 12V/DC or 24V / DC; inverting output: 220V/AC
- ☆ Car charging inverter's power: 75W
- ☆ Battery can be quickly changed or renewed and a light can be matched with several batteries.  
The material used for the light: ABS
- ☆ Lithium battery sizes: 12x13x10cm; weight: 1.2kgs
- ☆ The entire light sizes: 200mm ( diameter) X 280mm ( length)
- ☆ The gross weight of the main light ( battery included): 2.6kgs
- ☆ Lithium battery recyclable releasing and charging times: more than 500 times.
- ☆ The device is glue sealed and both water-proof and moisture-proof.

## Usage guidance:

- ☆ To switch the electrical door lock to open status, then to press down the power switch on the handle to light up the research light. The red button on the left side handle can be interchanged between 35W and 65W power rate. 35W switch performs the best within 500m in lighting while 65w does the best within 1000m in lighting. The effectively workable lighting distance is 1000-2000m while it can effectively lights up to over 3kms.
- ☆ The battery automatically shuts up when released to 13.8V. It has to be charged within 48 hours after it automatically shuts up.
- ☆ The battery must be fully charged if the research light is not used for a long time and it must be re-charged within 2-3 months. The battery within the research light is recommended to be released for one time until it automatically shuts up (the indicator signal will automatically disappear).

## ☆ Guidelines:

- ☆ Non-professional technician is not allowed to open the light head. Personal safety must be specially taken care of when the research light is initiated with 23kv very high voltage.
- ☆ The research light is not recommended to work for a long time when it is at a temperature of 50 °C.
- ☆ The first time initiating time ( when on cold bulb status) should be more than 2 minutes before it is shut up. It is recommended not to open and shut up the light too often in order to prolong the bulb life and the battery consumption time because the initiating power rate is 3-4 times higher than that in normal status.
- ☆ The light head and battery can not be soaked in water especially in salty sea water.
- ☆ Do not use the light to focus shining on eyes in short distance and focus shining on human skin in short distance for a long time.

## ☆ The attached accessories and parts for the research light

- |  |      |
|--|------|
| ☆ YAO-A-35/65W-HID main body of the research light ( battery included)           | 1pc  |
| ☆ 85-260V/AC-3A intelligent charger  | 1pc  |
| ☆ 75w car charger inverter ( 12v or 24v input when inverted into 220v as output) | 1pc  |
| ☆ Spare HID bulb   | 1pcs |
| ☆ Color box for packaging / shipment   | 1pc  |



## ☆ Application of places

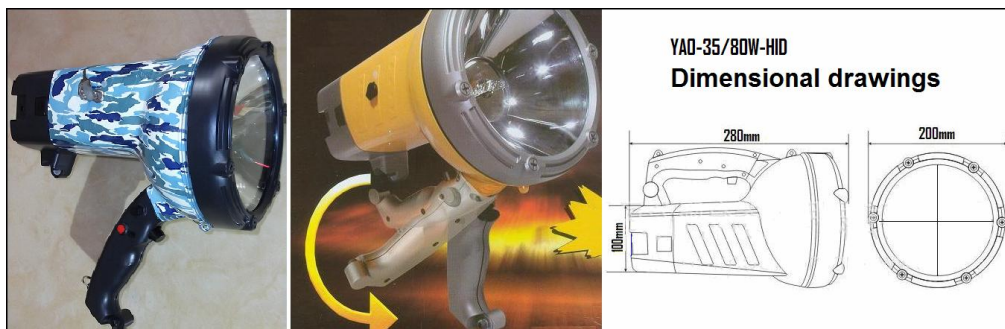
- ☆ YAO-A-35/65W HID double-switch xenon type portable searchlight is particularly practical and effectively useful when used in anti-terrorist and accident, police's criminal detection & investigation , hostage rescuing simply because 80w brightness is 8-times equal to that of the big-sized car headlight, regardless daytime or nighttime the criminal will be instantly blinded between 100-500m . The blind-grown criminal is incapable of discovering the movements of the police, thus enabling the police to move closer to the criminal.
- ☆ Troop when carrying out a task and rescue personnel can discover the objective in 1-2km away.
- ☆ It is effectively useful to search and rescue people in difficulties at night on sea, river, lake and highland.
- ☆ It can save time to rescue a life in danger at night when in hurricane, earthquake, flooding, mud avalanche, seaquake.
- ☆ It can enlarge policeman's vision to 1-2km when patrolling at airport, border and anti-smuggling on sea.

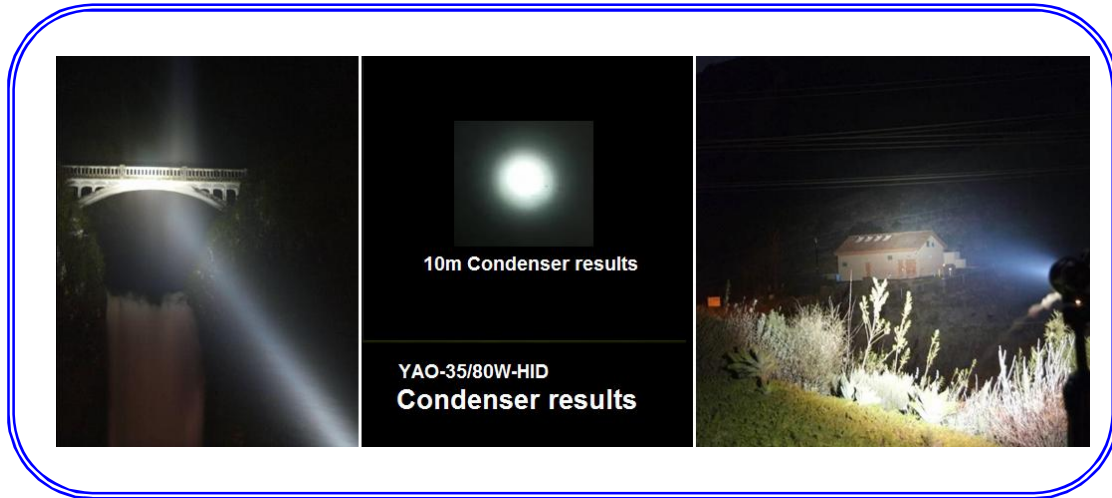
## ☆ Carton size

- ☆ Sizes for a single package: 33 X 26 X 28cm ( Lx W x H ); weight:4.6kgs
- ☆ Interior carton packaging sizes: 35x27x29cm; total weight: 5.3kgs( battery not included)
- ☆ Export carton sizes: 35x52x29cm; weight: about 13kgs ( battery not included)



## The diagram of the searchlight body and its battery





**1000 sets of ex-factory price: USD:195**  
 ☆ spare battery ex-factory price: **USD80** (excluding shipping)  
 ☆ Delivery cycle: 60 days  
 ☆ Payment Method: (and other providers)  
 ☆ Project Leader: phone:0086-13286662825  
 ☆ E-mail: [hid100w@163.COM](mailto:hid100w@163.COM)  
 ☆ Description: Each product contains a battery. Backup battery case additional purchase,  
 Each the Table Lamp user can increase the number of spare batteries.

200 套出厂价: USD195/件  
 ☆备用电池出厂价: USD80 (不含运费)  
 ☆交货周期: 60 天  
 ☆付款方式: (另商)  
 ☆项目负责人: TONY 电话: 0086-13286662825 [HID100@163.com](mailto:HID100@163.com)  
 ☆说明: 每台产品含一只电池。备用电池属用户另外增加购买的, 每台灯用户可以增加若干只备用电池。