

6

5

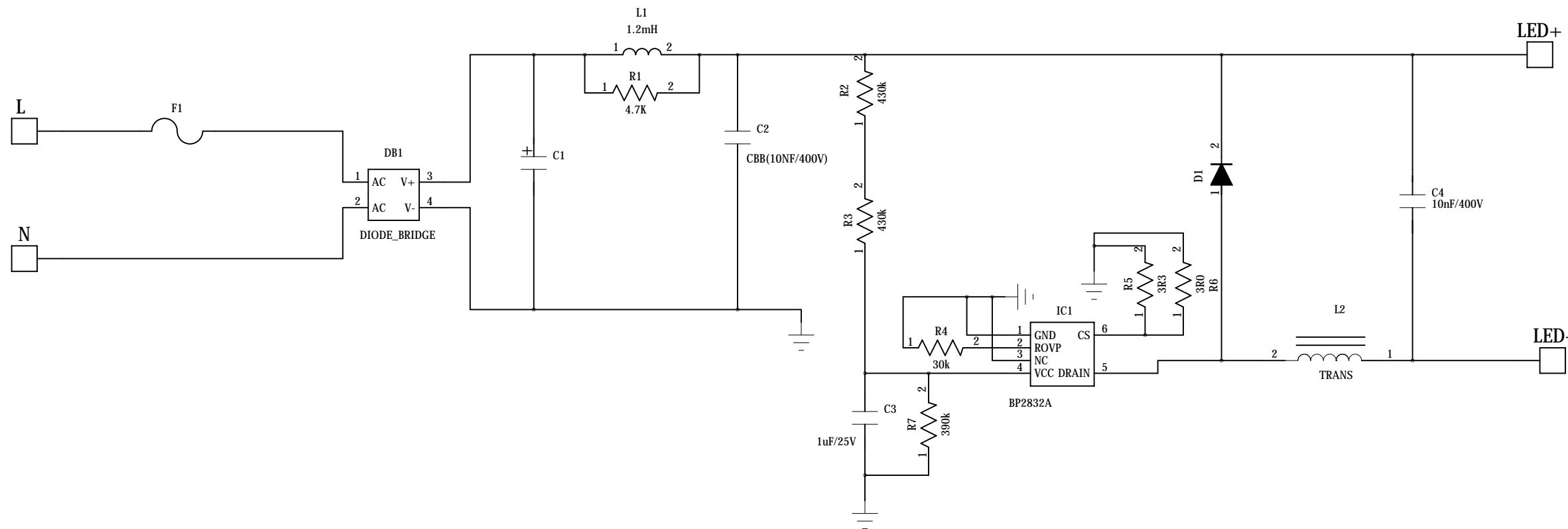
4

3

2

1

REVISION RECORD			
LTR	ECO NO:	APPROVED:	DATE:



COMPANY: <Company Name>

TITLE: <Title>

DRAWN: <Drawn By>	DATED: <Drawn Date>
CHECKED: <Checked By>	DATED: <Checked Date>
QUALITY CONTROL: <QC By>	DATED: <QC Date>
RELEASED: <Released By>	DATED: <Release Date>

CODE: <Code>	SIZE: B	DRAWING NO: <Drawing Number> × Revision	REV:
-----------------	------------	--	------

SCALE: <Scale> SHEET: 1 of 1

D

C

B

A

D

C

B

A