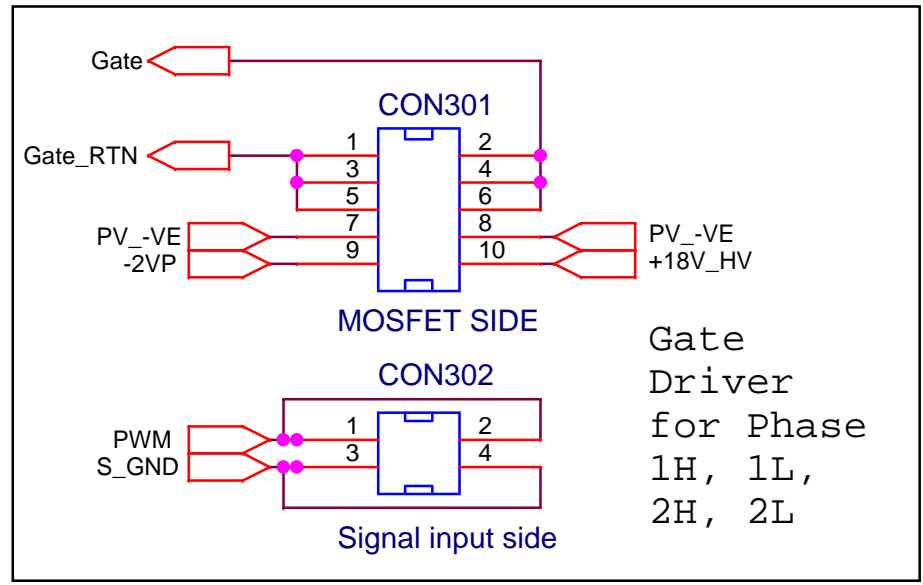
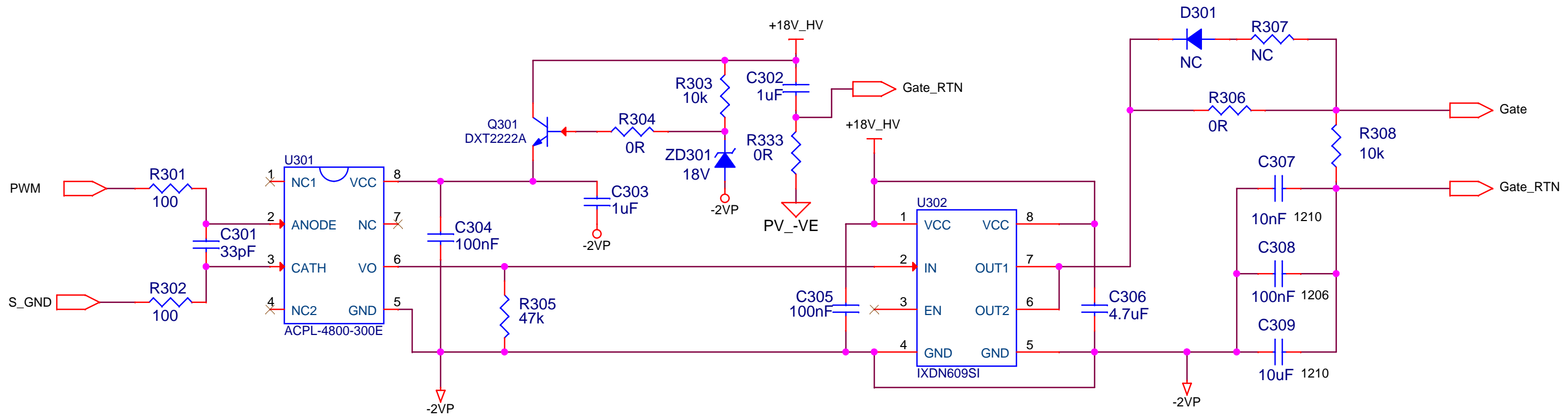
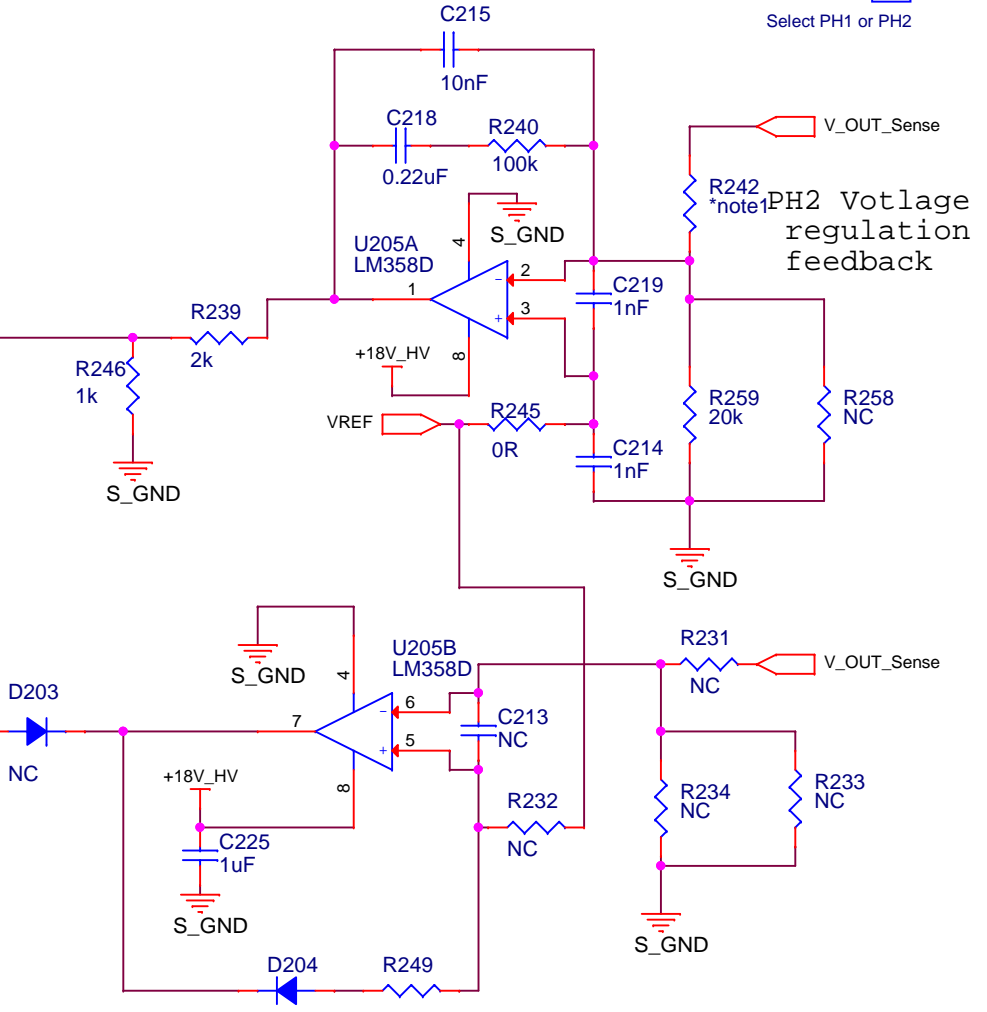
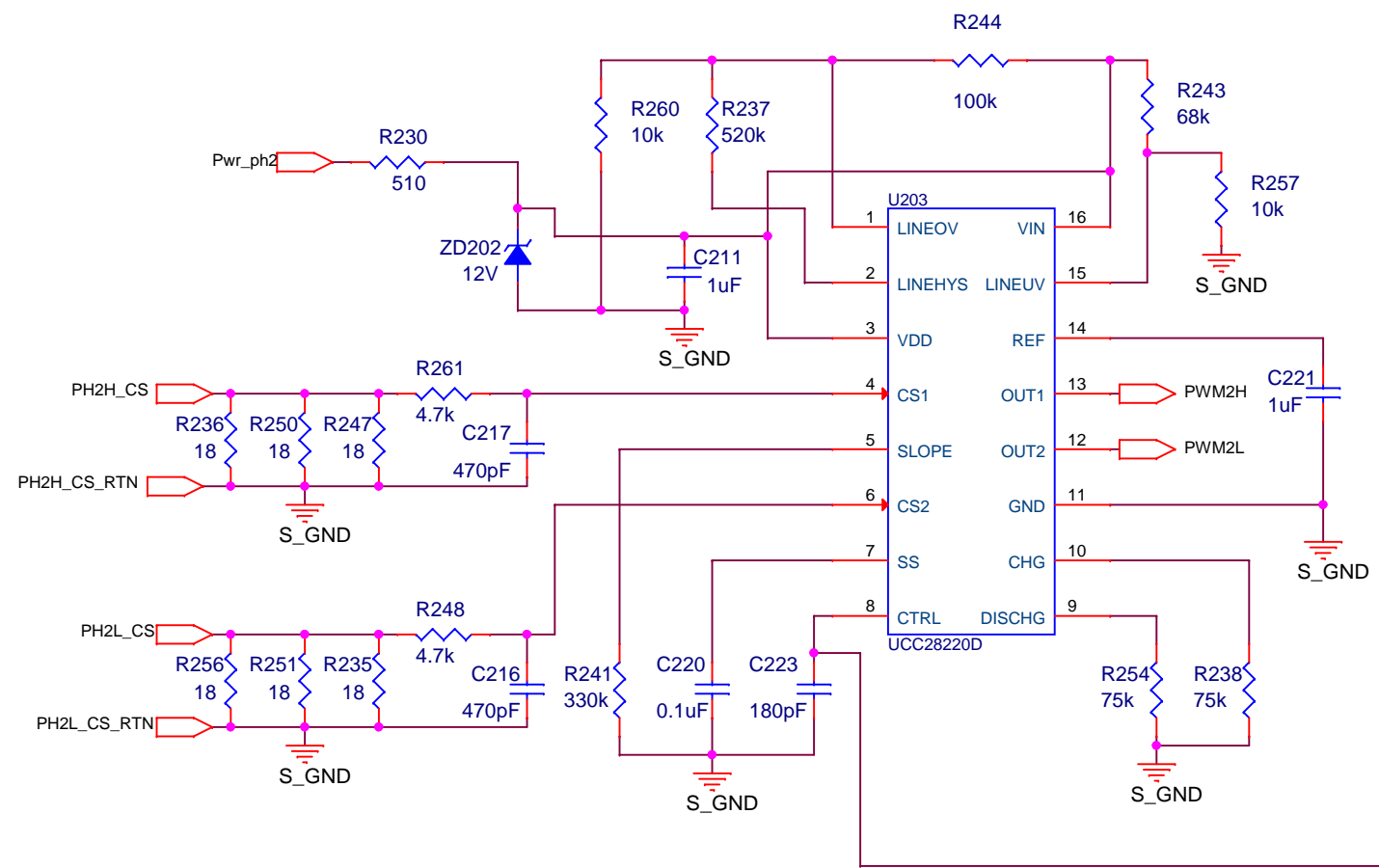
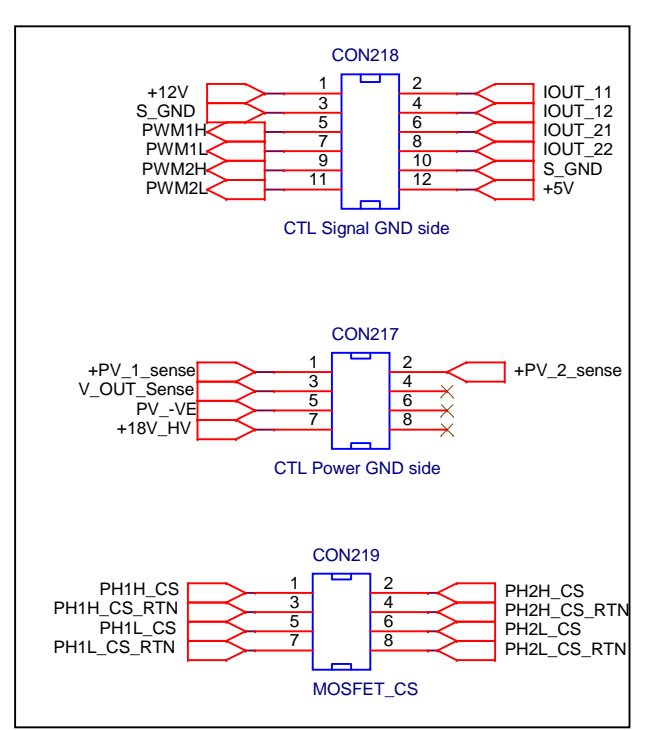
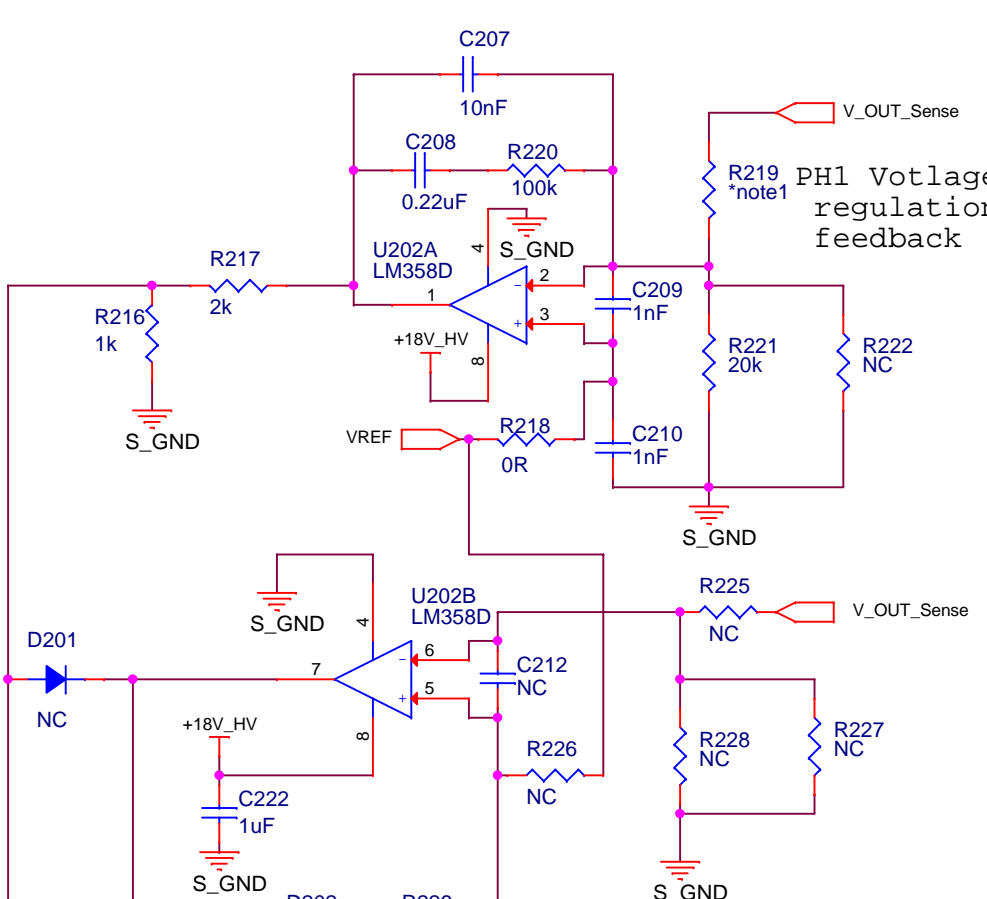
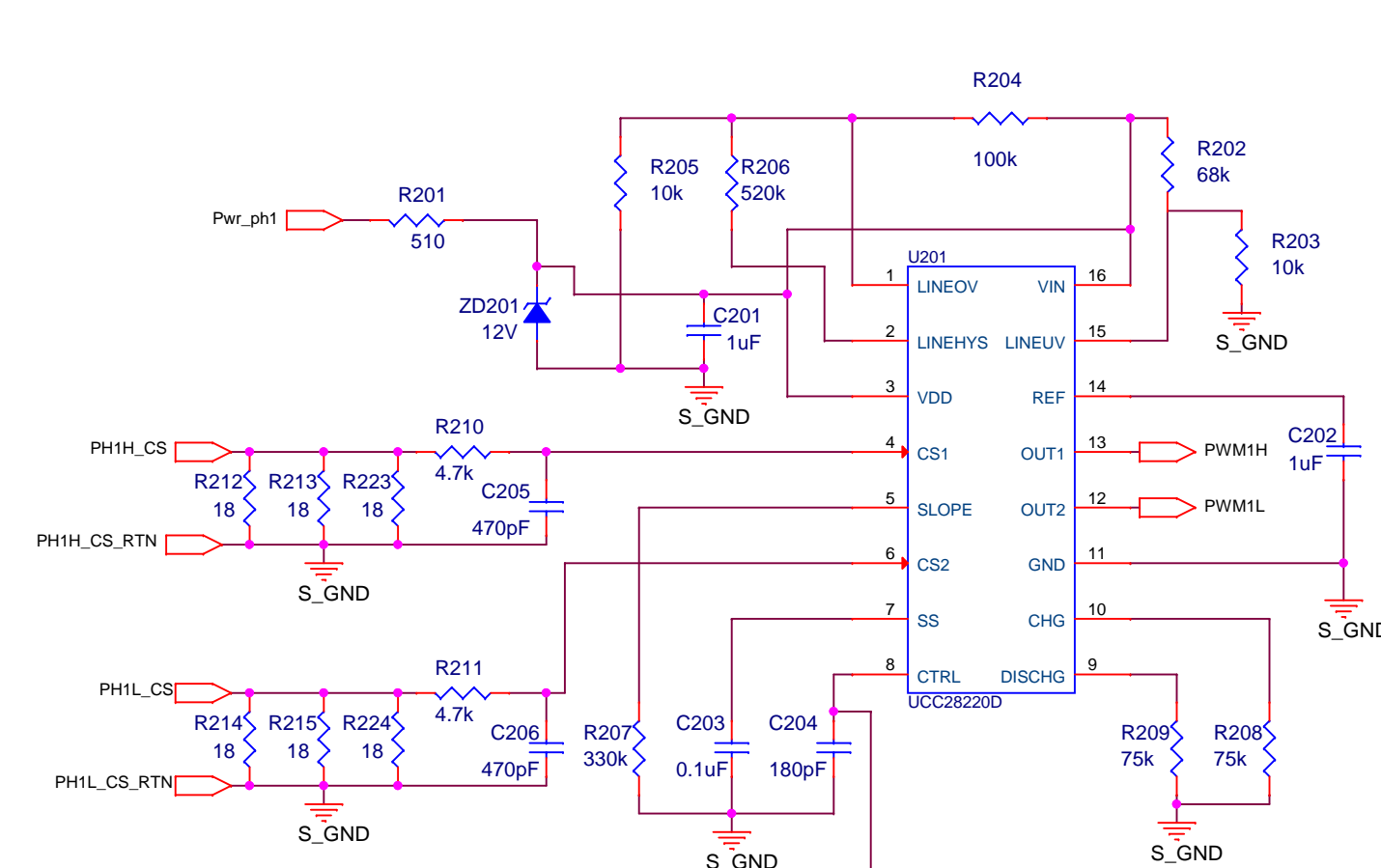


Title		Main converter
Size	Document Number	Rev
A2	CHK07 50kW 4phase interleaved boost converter	1v1
Date:	Tuesday, October 15, 2013	Sheet 1 of 1



Title		Gate driver board	
Size	Document Number	Rev	
A4	CHK07 50kW 4phase interleaved boost converter	1v0	
Date:	Tuesday, October 15, 2013	Sheet	1 of 1



**Note 1**  
Component setting for phase control selection

	Control MOSFET	R219	R242	CON201
PH1 voltage regulation feedback	Q1, Q2 (CH1H) Q3, Q4 (CH1L)	25k ohm 1206	Open	Short P1 - P2
PH2 voltage regulation feedback	Q5, Q6 (CH2H) Q7, Q8 (CH2L)	Open	25k ohm 1206	Short P2 - P3

