

# PS7516

 深圳市百盛新纪元半导体有限公司  
SHENZHEN BAI SHENG ELECTRONIC CO.,LTD

锂电池IC | 移动电源IC | LED驱动IC | 电源管理IC | LDO、DCDC | 升压IC、降压IC | 监控IC、复位IC | 车充、旅充IC

郑琼峰 18948314942  
1094642907

市场地址: 深圳市华强北新亚洲电子商城一期1A044  
公司地址: 深圳市华强北赛格广场24楼2411  
网址: <http://www.szparkson.net>  
Tel: 0755-81303950 FAX: 0755-82570180  
MSN: Parkson2010@live.cn  
E-mail: szparkson@126.com

## Description

The PS7516 is a high efficiency, fixed frequency 1MHz, current mode PWM boost DC/DC converter which could operate battery such as input voltage down to 2.5V. The converter output voltage can be adjusted to a maximum of 5.25V by an external resistor divider. Besides the converter includes a 0.08Ω N-channel MOSFET switch and 0.12Ω P-channel synchronous rectifier. So no external Schottky diode is required and could get better efficiency near 93%.

The converter is based on a fixed frequency, current mode, pulse-width-modulation PWM controller that goes automatically into PSM mode at light load.

When converter operation into discontinuous mode, the internal anti-ringing switch will reduce interference and radiated electromagnetic energy.

The PS7516 is available in a space-saving SOT-23-6 package for portable application.

## Features

- High Efficiency up to 96%
- Low  $R_{DS(ON)}$  Integrated Power MOSFET
- NMOS 80mΩ / PMOS120mΩ
- Wide Input Voltage Range: 2.5V to 5.5V
- Fixed 1MHz Switching Frequency
- Low-Power Mode for Light Load Conditions
- $\pm 2.0\%$  Voltage Reference Accuracy
- PMOS Current Limit for Short Circuit Protection
- Low Quiescent Current
- Output Ripple under 200mV. (Scope Full Bandwidth)
- Fast Transient Response
- Built-In Soft Start Function
- Over-Temperature Protection with Auto Recovery
- Output Overvoltage Protection
- Space-Saving SOT-23-6 Package

## Applications

- Portable Power Bank
- Wireless Equipment
- Handheld Instrument
- GPS Receiver

## Pin Assignments

SOT23-6 -

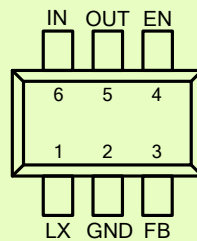


Figure 1. Pin Assignment of PS7516

## Functional Pin Description

Pin Name	Pin No.	Pin Function
LX	1	Power Switching Connection. Connect LX to the inductor and output rectifier.
GND	2	Ground Pin.
FB	3	Voltage Feedback Input Pin.
EN	4	Logic Controlled Shutdown Input.
OUT	5	Output of the Synchronous Rectifier.
IN	6	Power Supply Input Pin.

# PS7516

## Block Diagram

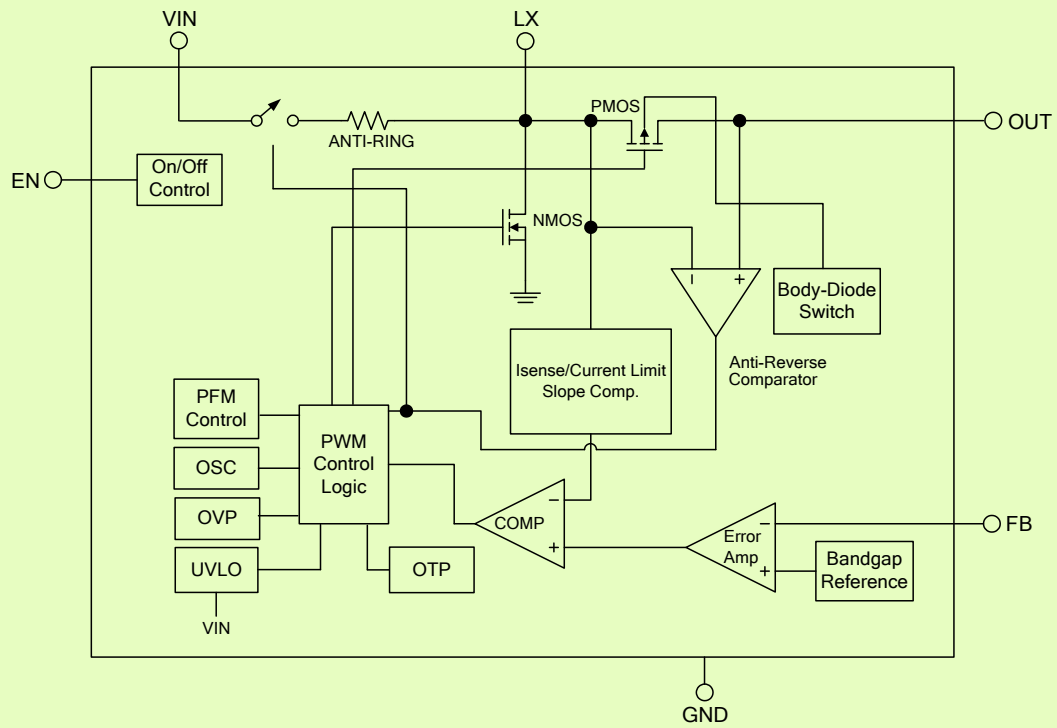


Figure 3. Block Diagram of PS7516

# PS7516

## Typical Application Circuit

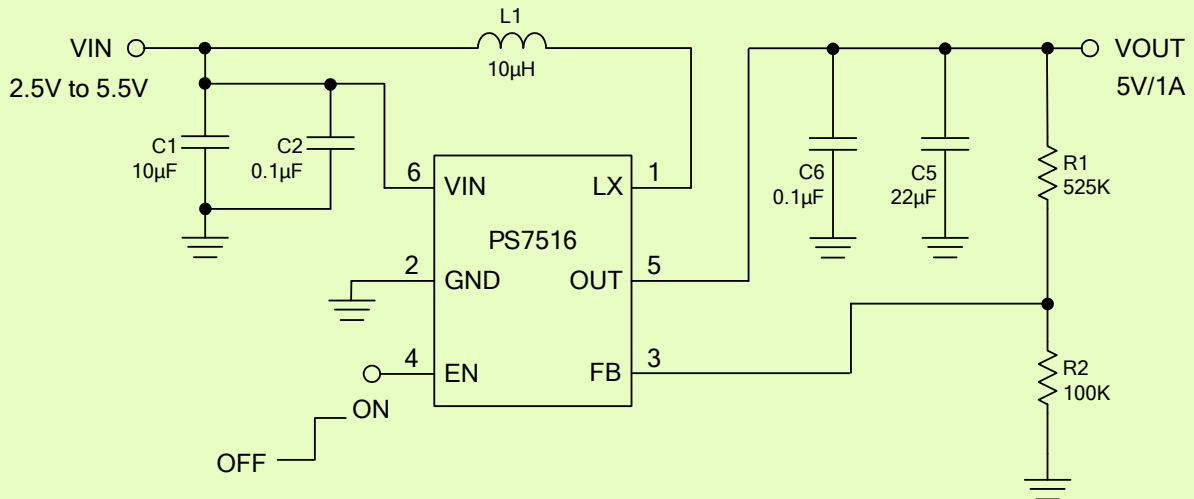


Figure 2. Typical Application Circuit

## Absolute Maximum Ratings (Note 1)

- Supply Voltage  $V_{IN}$  ----- -0.3V to +6.5V
- LX Voltage  $V_{LX}$  ----- -0.3V to +6.5V
- All Other Pins Voltage ----- -0.3V to +6.5V
- Maximum Junction Temperature ( $T_J$ ) ----- +150°C
- Storage Temperature ( $T_S$ ) ----- -65°C to +150°C
- Lead Temperature (Soldering, 10sec.) ----- +260°C
- Package Thermal Resistance ( $\theta_{JA}$ )
  - SOT-23-6 ----- +250°C/W
- Package Thermal Resistance ( $\theta_{JC}$ )
  - SOT-23-6 ----- +130°C/W

Note 1 : Stresses beyond this listed under "Absolute Maximum Ratings" may cause permanent damage to the device.

## Recommended Operating Conditions

- Supply Voltage  $V_{IN}$  ----- +2.5V to +5.5V
- Output Voltage Range ----- up to +5.25V
- Operation Temperature Range ----- -40°C to +85°C

# PS7516

## Electrical Characteristics

( $V_{IN}=3.3V$ ,  $T_A=25^{\circ}C$ , unless otherwise specified.)

Parameter	Symbol	Conditions	Min	Typ	Max	Unit
$V_{IN}$ Input Supply Voltage	$V_{IN}$		2.5		5.5	V
Input UVLO Threshold		$V_{IN}$ Rising		1.85		V
Under Voltage Lockout Threshold Hysteresis		$V_{IN}$ Falling		0.2		V
Supply Current				45	50	$\mu A$
Feedback Voltage	$V_{FB}$	$2.5V \leq V_{IN} \leq 5.5V$	0.784	0.8	0.816	V
High-Side PMOSFET $R_{DS(ON)}$				120		m $\Omega$
Low-Side NMOSFET $R_{DS(ON)}$				80		m $\Omega$
High-Side MOSFET Leakage Current	$I_{LX(leak)}$	$V_{LX}=5.5V$ , $V_{OUT}=0V$			10	$\mu A$
Low-Side MOSFET Leakage Current		$V_{LX}=5.5V$			10	$\mu A$
Oscillation Frequency	$F_{OSC}$				1000	KHz
Switch Current Limit		$V_{IN}=3.3V$	2.5			A
Short Circuit Trip Point		Monitored FB voltage		0.3		V
Short Circuit Current Limit		$V_{IN} = 3.3V$		50		mA
Maximum Duty Cycle	$D_{MAX}$	$V_{IN}=3.3V$	85	90		%
Line Regulation		$V_{IN}=2.5V$ to $5.5V$ , $I_{OUT}=100mA$			1	%
Load Regulation		$I_{OUT}=0A$ to $1A$		0.5		%
OVP Threshold Voltage on OUT Pin				6		V
OVP Threshold Hysteresis				500		mV
Internal Soft-Start Time				1	3	ms
EN Input Low Voltage	$V_{EN(L)}$				0.4	V
EN Input High Voltage	$V_{EN(H)}$		1.4			V
EN Input Current	$I_{EN}$	$V_{IN}=3.3V$		2		$\mu A$
Thermal Shutdown Threshold (Note 2)	$T_{SD}$			150		$^{\circ}C$
Thermal Shutdown Hysteresis				30		$^{\circ}C$

Note 2 : Not production tested.

## Application Information

### Controller Circuit

The device is based on a current-mode control topology and uses a constant frequency pulse-width modulator to regulate the output voltage. The controller limits the current through the power switch on a pulse by pulse basis. The current sensing circuit is integrated in the device; therefore, no additional components are required. Due to the nature of the boost converter topology used here, the peak switch current is the same as the peak inductor current, which will be limited by the integrated current limiting circuits under normal operating conditions.

### Synchronous Rectifier

The device integrates an N-channel and a P-channel MOSFET transistor to realize a synchronous rectifier. There is no additional Schottky diode required. Because the device uses an integrated low  $R_{DS(ON)}$  PMOS switch for rectification, the power conversion efficiency reaches 93%.

A special circuit is applied to disconnect the load from the input during shutdown of the converter. In conventional synchronous rectifier circuits, the backgate diode of the high-side PMOS is forward biased in shutdown and allows current flowing from the battery to the output. This device, however, uses a special circuit to disconnect the backgate diode of the high-side PMOS and so, disconnects the output circuitry from the source when the regulator is not enabled (EN=low).

### PSM Mode

The PS7516 is designed for high efficiency over wide output current range. Even at light load, the efficiency stays high because the switching losses of the converter are minimized by effectively reducing the switching frequency. The controller will enter a power saving mode if certain conditions are met. In this mode, the controller only switches on the transistor if the output voltage trips below a set threshold voltage. It ramps up the output voltage with one or several pulses, and goes again into PSM mode once the output voltage exceeds a set threshold voltage.

### Device Enable

The device will be shut down when EN is set to GND. In this mode, the regulator stops switching, all internal control circuitry including the low-battery comparator will be switched off, and the load will be disconnected from the input (as described in above synchronous rectifier section). This also means that the output voltage may drop below the input voltage during shutdown.

The device is put into operation when EN is set high. During start-up of the converter, the duty cycle is limited in order to avoid high peak currents drawn from the battery. The limit is set internally by the current limit circuit.

### Anti-Ringing Switch

The device integrates a circuit which removes the ringing that typically appears on the SW node when the converter enters the discontinuous current mode. In this case, the current through the inductor ramps to zero and the integrated PMOS switch turns off to prevent a reverse current from the output capacitors back to the battery. Due to remaining energy that is stored in parasitic components of the semiconductors and the inductor, a ringing on the SW pin is induced. The integrated anti-ringing switch clamps this voltage internally to  $V_{IN}$ ; therefore, dampens this ringing.

### Adjustable Output Voltage

The accuracy of the output voltage is determined by the accuracy of the internal voltage reference, the controller topology, and the accuracy of the external resistor. The reference voltage has an accuracy of  $\pm 2\%$ . The controller switches between fixed frequency and PSM mode, depending on load current. The tolerance of the resistors in the feedback divider determines the total system accuracy.

### Design Procedure

The PS7516 boost converter family is intended for systems that are powered by a single-cell 1on battery with a typical terminal voltage between 3V to 4.2V.

## Application Information (Continued)

### (1) Programming the Output Voltage

The output voltage of the PS7516 can be adjusted with an external resistor divider. The typical value of the voltage on the FB pin is 800mV in fixed frequency operation. The maximum allowed value for the output voltage is 5.5V. The current through the resistive divider should be about 100 times greater than the current into the FB pin. The typical current into the FB pin is 0.01μA, and the voltage across R2 is typically 800mV. Based on those two values, the recommended value for R2 is in the range of 800kΩ in order to set the divider current at 1μA. From that, the value of resistor R1, depending on the needed output voltage ( $V_o$ ), can be calculated using Equation 1.

$$R1=R2 \times \left( \frac{V_{OUT}}{V_{FB}} - 1 \right) = 800k\Omega \times \left( \frac{V_{OUT}}{800mV} - 1 \right) \dots\dots(1)$$

### (2) Inductor Selection

A boost converter normally requires two main passive components for storing energy during the conversion. A boost inductor is required and a storage capacitor at the output. To select the boost inductor, it is recommended to keep the possible peak inductor current below the current limit threshold of the power switch in the chosen configuration.

The second parameter for choosing the inductor is the desired current ripple in the inductor. Normally, it is advisable to work with a ripple of less than 20% of the average inductor current. A smaller ripple reduces the magnetic hysteresis losses in the inductor, as well as output voltage ripple and EMI. But in the same way, regulation time at load changes rises. In addition, a larger inductor increases the total system cost. With those parameters, it is possible to calculate the value for the inductor by using Equation 2.

$$L = \frac{V_{IN} \times (V_{OUT} - V_{IN})}{\Delta I_L \times f \times V_{OUT}} \dots\dots(2)$$

Parameter f is the switching frequency and  $\Delta I_L$  is the ripple current in the inductor, i.e., 20% x  $I_L$ . With this calculated value and currents, it is possible to choose a suitable inductor. Care must be taken that load transients and losses in the circuit can lead to higher currents. Also, the losses in the inductor caused by magnetic hysteresis losses and copper losses are a major parameter for total circuit efficiency.

### (3) Capacitor Selection

The major parameter necessary to define the output capacitor is the maximum allowed output voltage ripple of the converter. This ripple is determined by two parameters of the capacitor, the capacitance and the ESR. It is possible to calculate the minimum capacitance needed for the defined ripple, supposing that the ESR is zero, by using Equation 3.

$$C_{MIN} = \frac{I_{OUT} \times (V_{OUT} - V_{IN})}{f \times \Delta V \times V_{OUT}} \dots\dots(3)$$

Parameter f is the switching frequency and  $\Delta V$  is the maximum allowed ripple.

The total ripple is larger due to the ESR of the output capacitor. This additional component of the ripple can be calculated using Equation 4.

$$\Delta V_{ESR} = I_{OUT} \times R_{ESR} \dots\dots(4)$$

The total ripple is the sum of the ripple caused by the capacitance and the ripple caused by the ESR of the capacitor. It is possible to improve the design by enlarging the capacitor or using smaller capacitors in parallel to reduce the ESR or by using better capacitors with lower ESR, like ceramics. Tradeoffs must be made between performance and costs of the converter circuit.

A 10μF input capacitor is recommended to improve transient behavior of the regulator. A ceramic or tantalum capacitor with a 100nF in parallel placed close to the IC is recommended.

## Application Information (Continued)

### Layout Considerations

As for all switching power supplies, the layout is an important step in the design, especially at high peak currents and high switching frequencies. If the layout is not carefully done, the regulator could show stability problems as well as EMI problems. Therefore, use wide and short traces for the main current path as indicated in bold in Figure 4. The input capacitor, output capacitor and the inductor should be placed as close to the IC as possible. Use a common ground node as shown in Figure 4 to minimize the effects of ground noise. The feedback divider should be placed as close to the IC as possible.

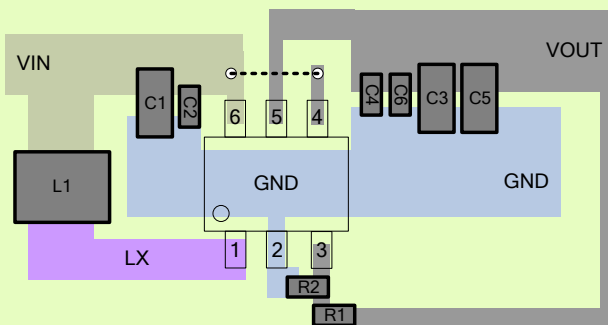
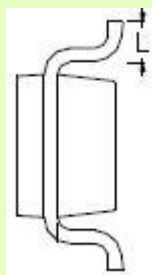
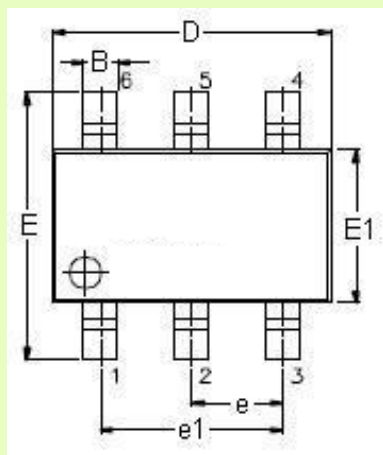


Figure 4. Layout Diagram

# PS7516

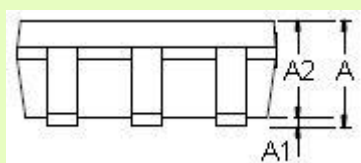
## Outline Information

SOT-23-6 Package (Unit: mm)

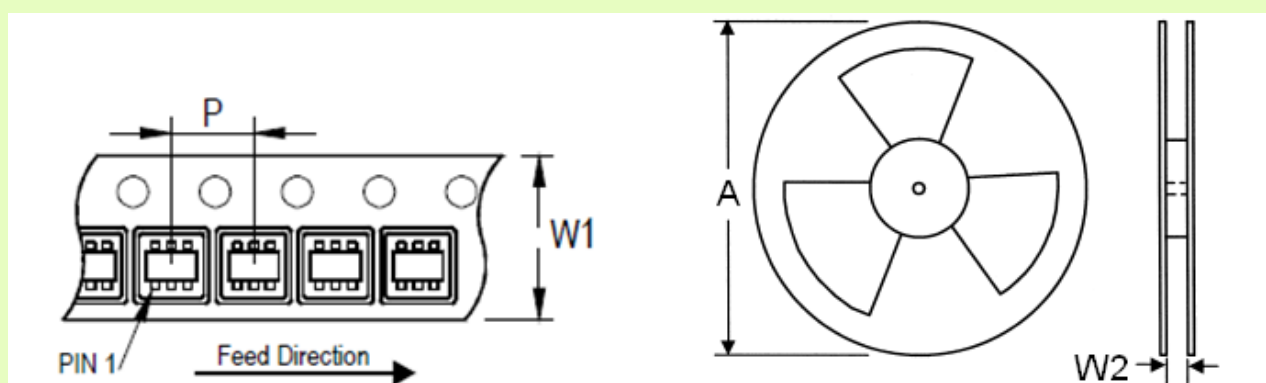


SYMBOLS UNIT	DIMENSION IN MILLIMETER	
	MIN	MAX
A	0.90	1.45
A1	0.00	0.15
A2	0.90	1.30
B	0.30	0.50
D	2.80	3.00
E	2.60	3.00
E1	1.50	1.70
e	0.90	1.00
e1	1.80	2.00
L	0.30	0.60

Note : Followed From JEDEC MO-178-C.



## Carrier Dimensions



Tape Size (W1) mm	Pocket Pitch (P) mm	Reel Size (A)		Reel Width (W2) mm	Empty Cavity Length mm	Units per Reel
		in	mm			
8	4	7	180	8.4	300~1000	3,000