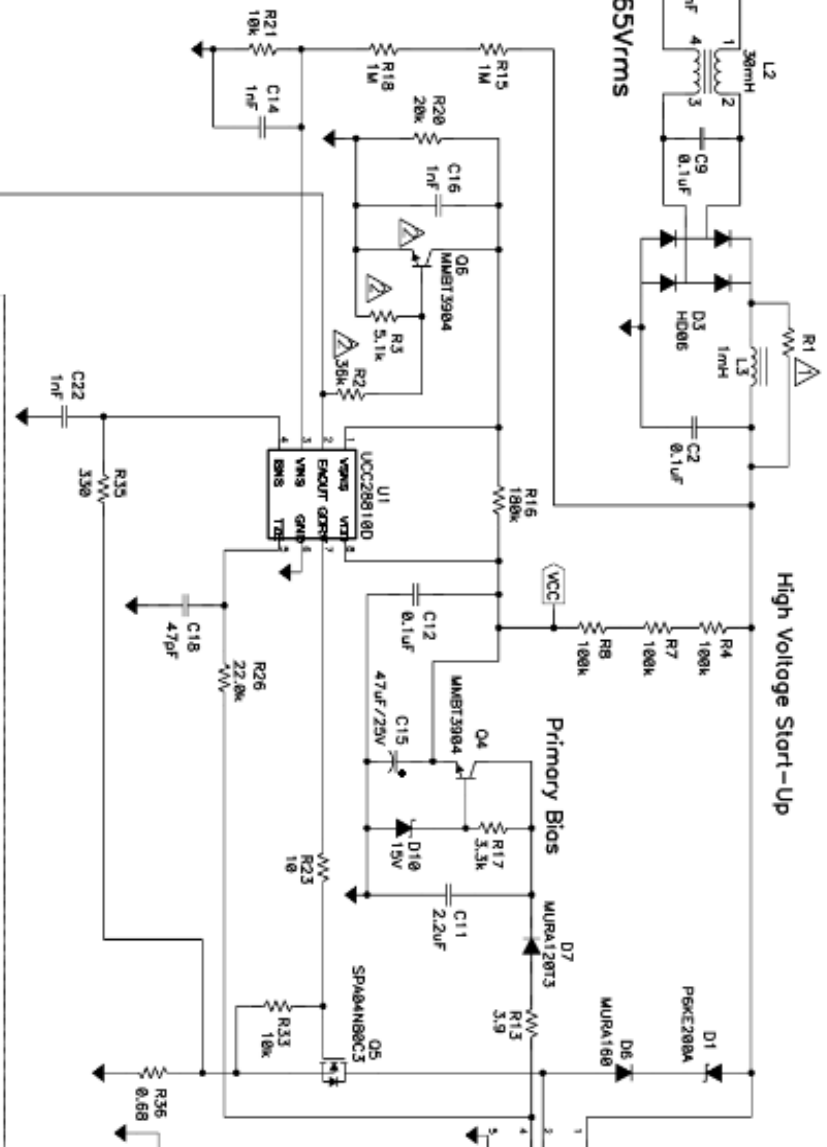


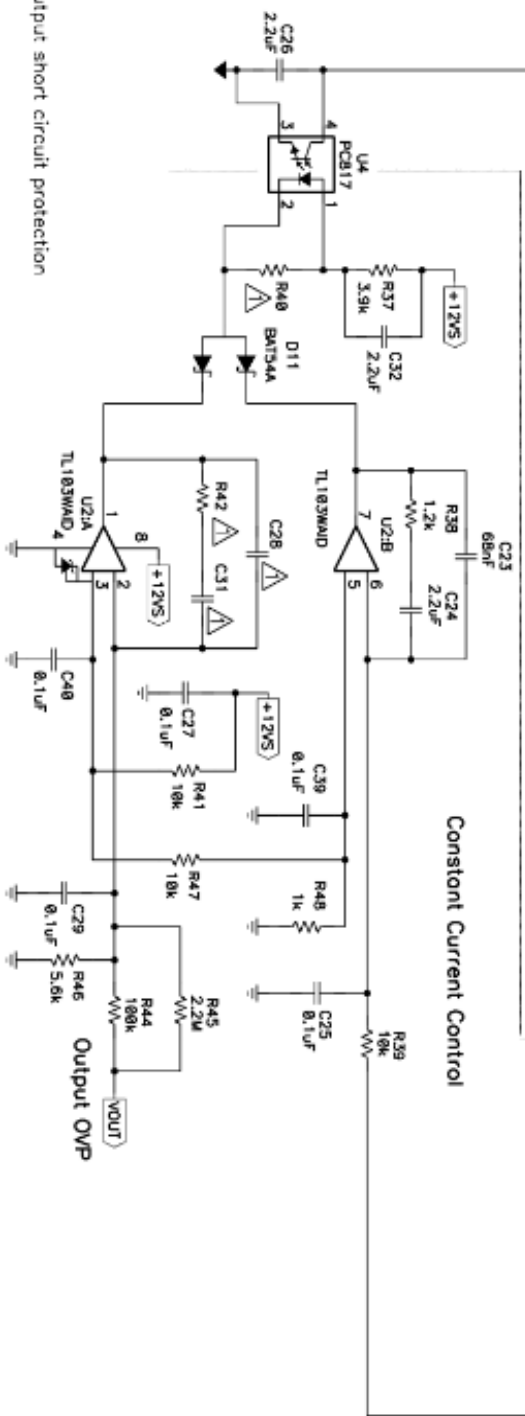
Input: 90Vrms to 265Vrms

High Voltage Start-Up



Output: 42Vdc, 450mA

Constant Current Control



⚠ Not populated

⚠ For Optional open loop and output short circuit protection