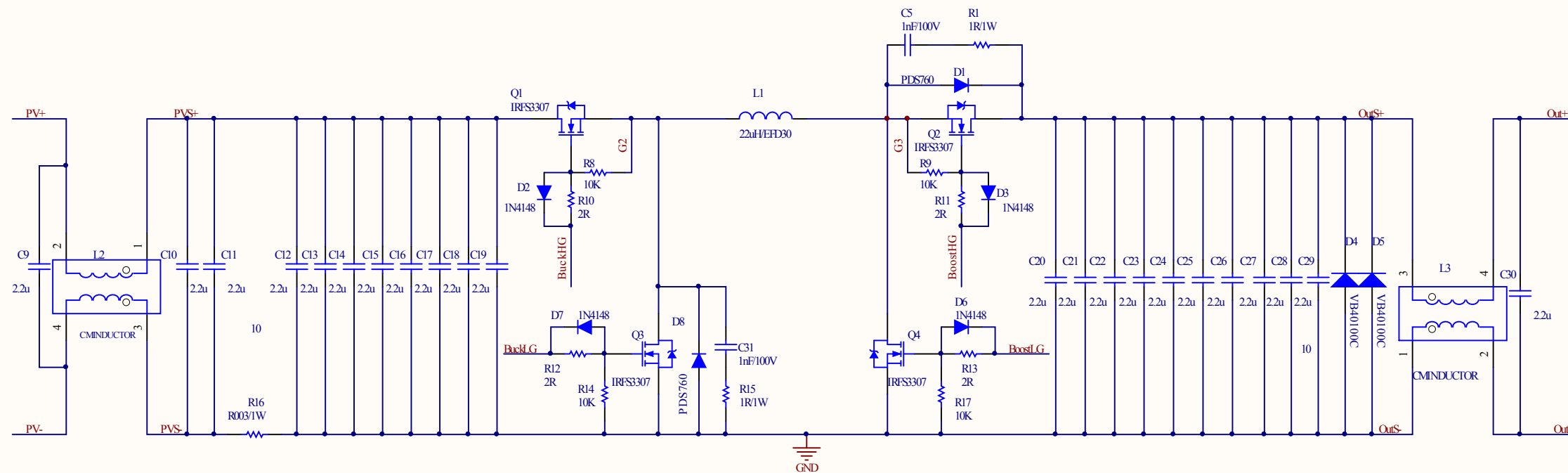
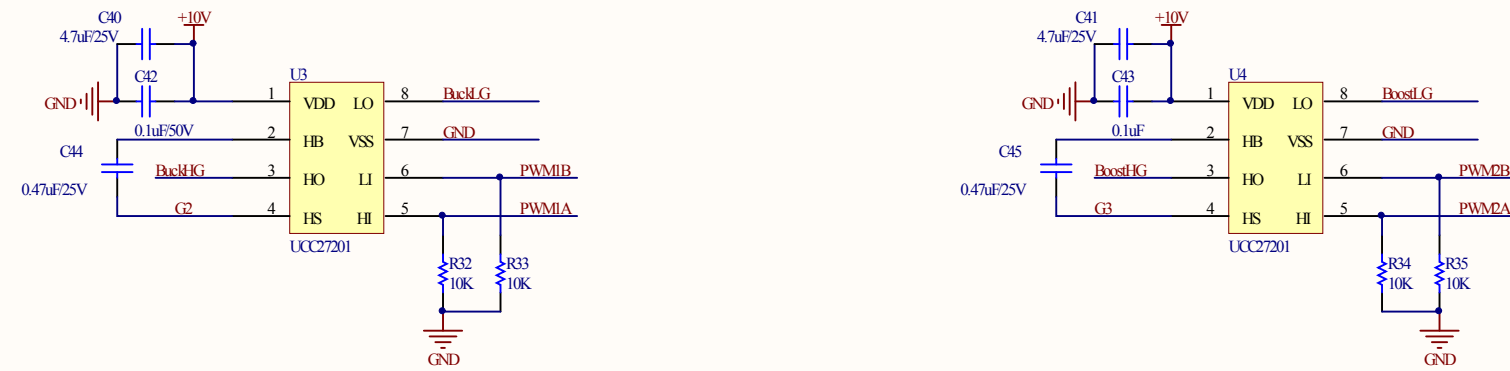


PowerMain

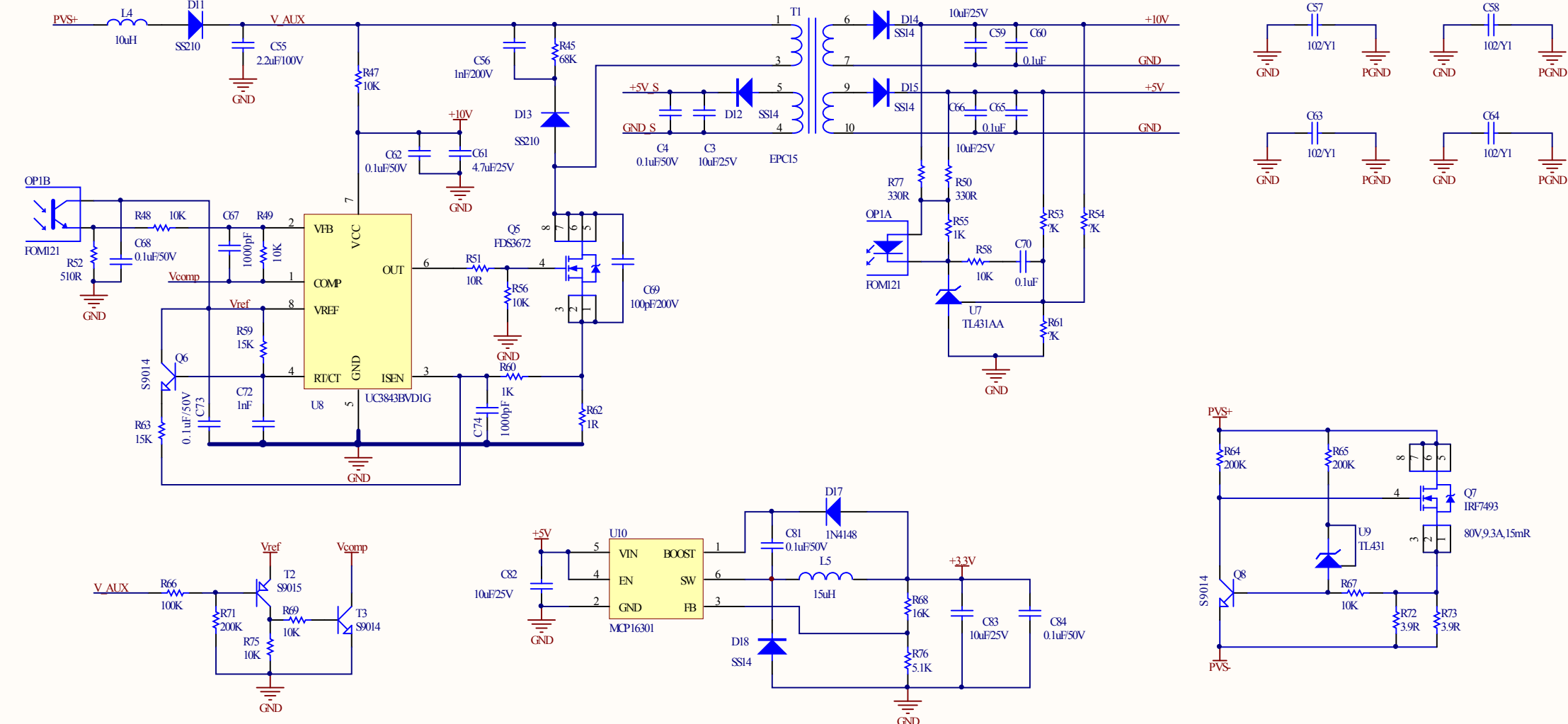
RSMC-300LC-V0.1



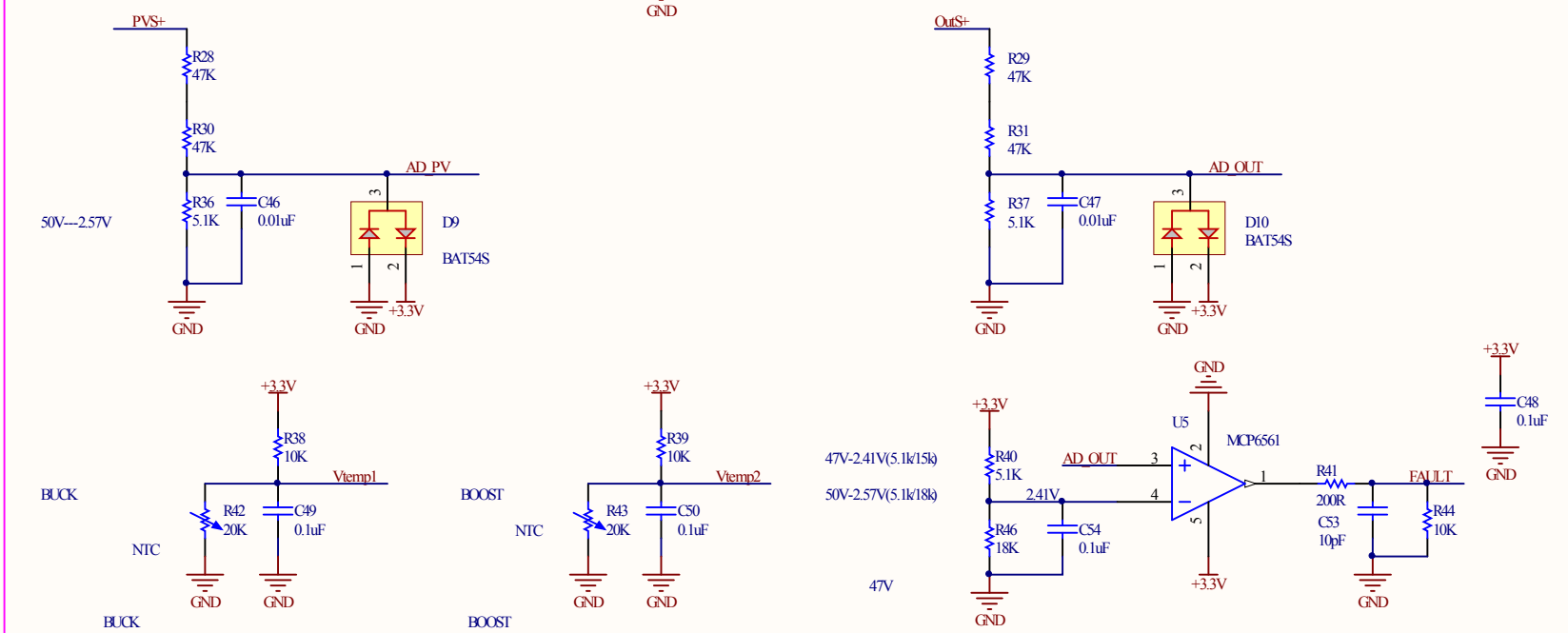
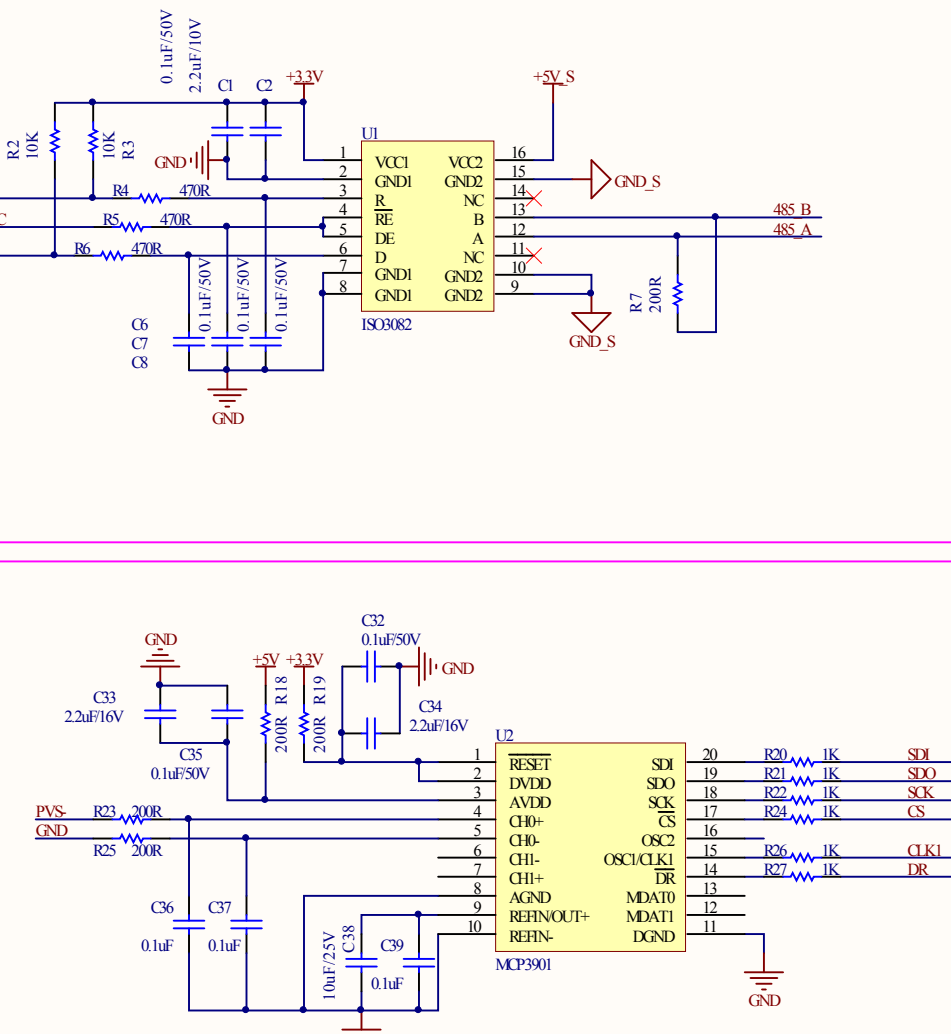
Driver



SMPS



Sample&Protect



MCU

